



US00D834360S

(12) **United States Design Patent**
Bueno Nunez

(10) **Patent No.:** **US D834,360 S**

(45) **Date of Patent:** **** Nov. 27, 2018**

(54) **JUG**

(71) Applicant: **Agua Farma Plasticos, S. A. de C. V.**,
Zapopan, Jalisco (MX)

(72) Inventor: **David Bueno Nunez**, Jalisco (MX)

(73) Assignee: **AGUA FARMA PLASTICOS, S.A.**
DE C.V., Zapopan, Jalisco (MX)

(**) Term: **15 Years**

(21) Appl. No.: **29/560,638**

(22) Filed: **Apr. 8, 2016**

(51) **LOC (11) Cl.** **07-01**

(52) **U.S. Cl.**
USPC **D7/306; D7/622**

(58) **Field of Classification Search**
USPC D9/516, 520, 530, 531, 533, 535, 540,
D9/549, 550, 552, 557, 575, 633, 715,
D9/719; D34/39; D7/300, 305, 306, 622
CPC B65D 7/045; B65D 1/0223; B65D 11/06
See application file for complete search history.

(56) **References Cited**

U.S. PATENT DOCUMENTS

D97,580 S * 11/1935 Ingersoll 220/DIG. 1
2,250,749 A * 7/1941 Cornelius B65D 7/045
220/4.04
2,809,035 A * 10/1957 Schumacher A63J 3/00
2/2.5
D238,550 S * 1/1976 Edwards D9/633
D335,744 S * 5/1993 Small D23/205
D340,386 S * 10/1993 McGourthy, Sr. D34/39

D374,959 S * 10/1996 Mull D34/39
D521,387 S * 5/2006 Little D9/528
D529,749 S * 10/2006 Allen D7/306
D541,157 S * 4/2007 Samartgis D9/502
D610,024 S * 2/2010 Lepoitevin D9/773
D676,755 S * 2/2013 Hein D9/519
D716,094 S * 10/2014 Wang D7/306
D747,970 S * 1/2016 Maas D7/306
D752,840 S * 3/2016 Smeaton D34/39
D778,661 S * 2/2017 Vazin D7/306
2016/0326474 A1 * 11/2016 McKale B65D 39/0041

* cited by examiner

Primary Examiner — Ian Simmons

Assistant Examiner — Keith Frank

(74) *Attorney, Agent, or Firm* — Lucas & Mercanti, LLP

(57) **CLAIM**

The ornamental design for a jug, as shown and described.

DESCRIPTION

FIG. 1 is a front elevation view of a jug showing our new design;

FIG. 2 is a left side elevation view thereof;

FIG. 3 is a rear elevation view thereof;

FIG. 4 is a right side elevation view thereof;

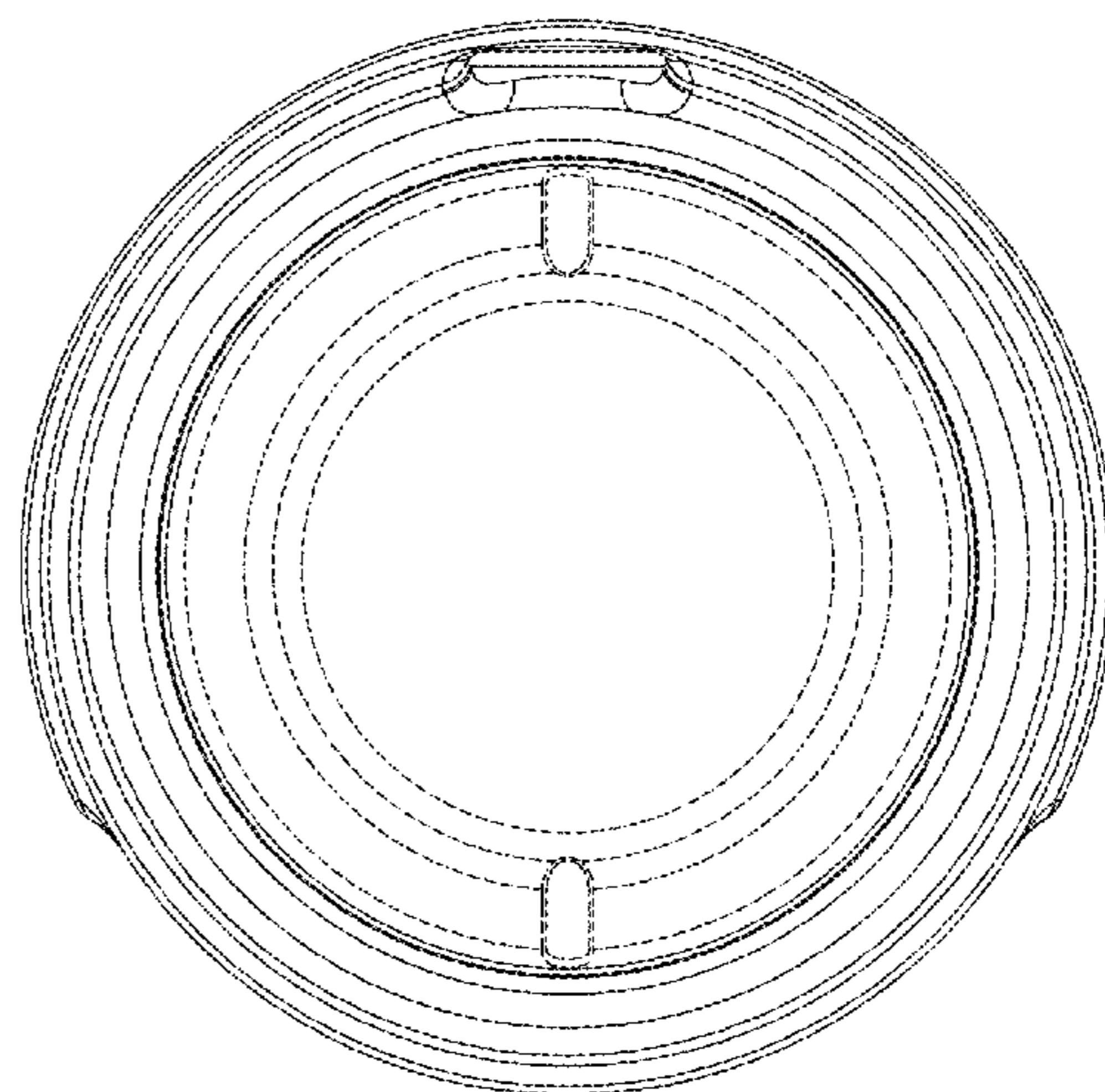
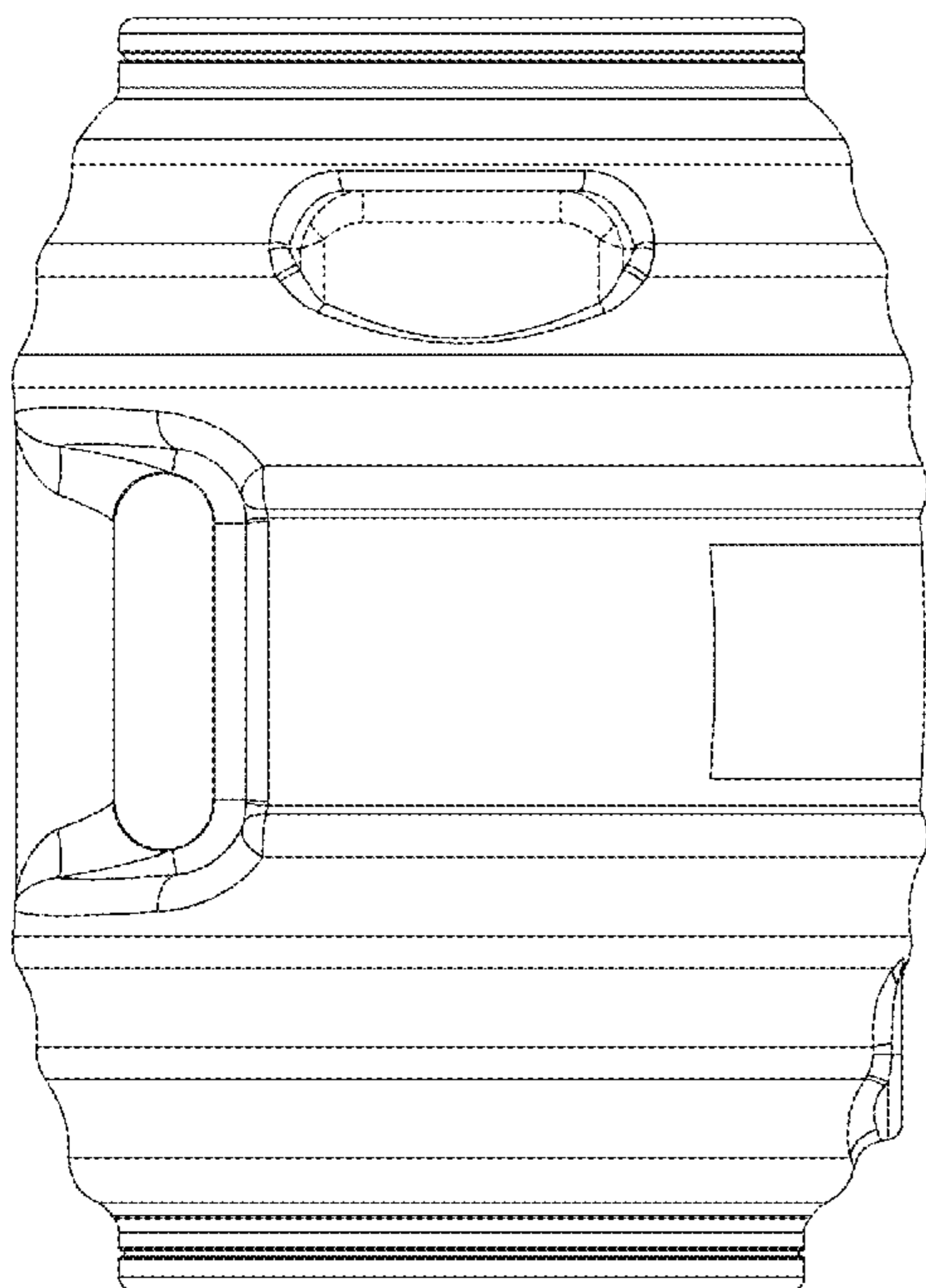
FIG. 5 is a top plan view thereof;

FIG. 6 is a bottom plan view thereof; and,

FIG. 7 is a perspective view thereof.

The broken lines in the drawings showing the jug illustrate the portions of the jug that form no part of the claimed design.

1 Claim, 7 Drawing Sheets



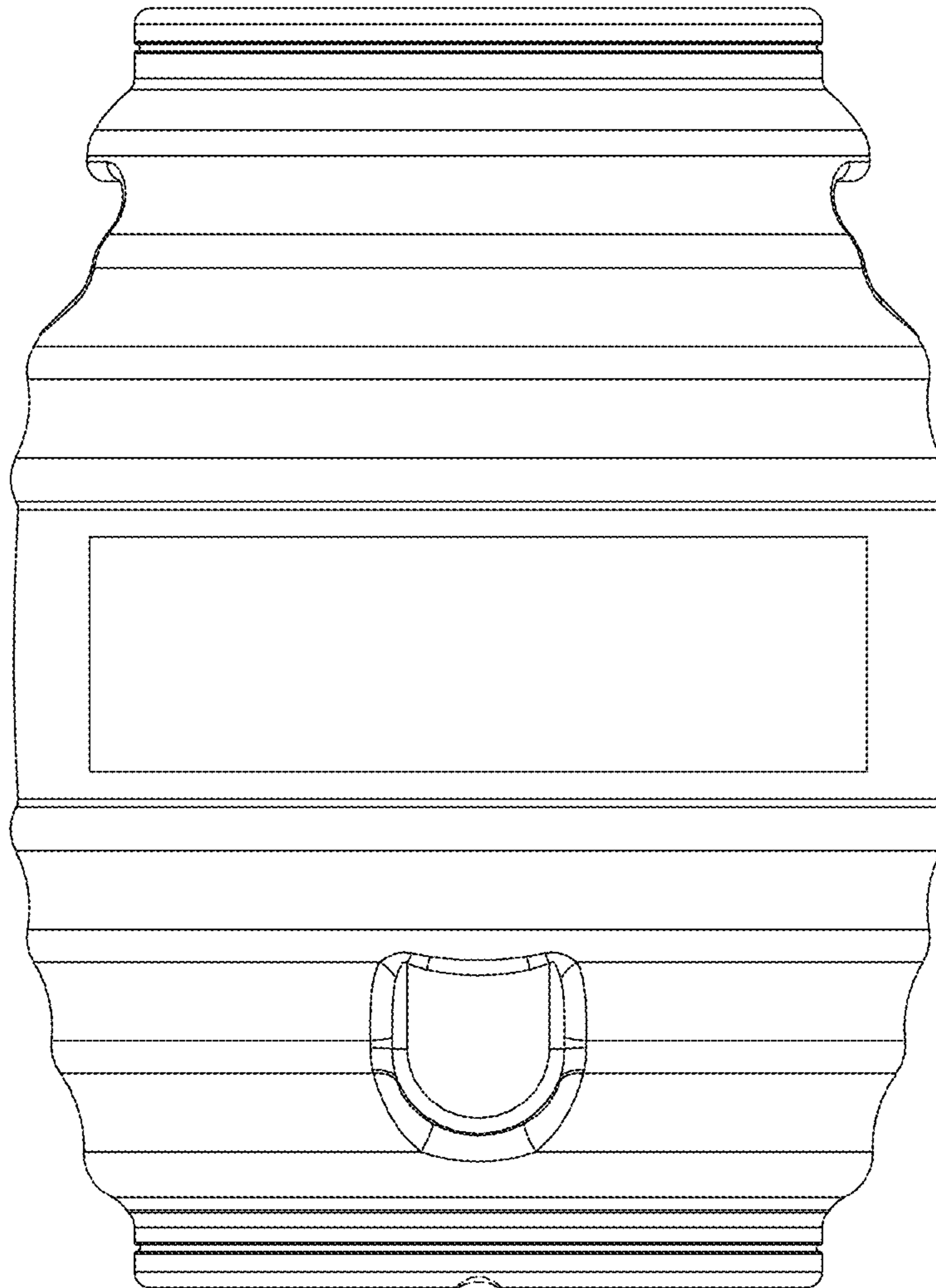


FIG. 1

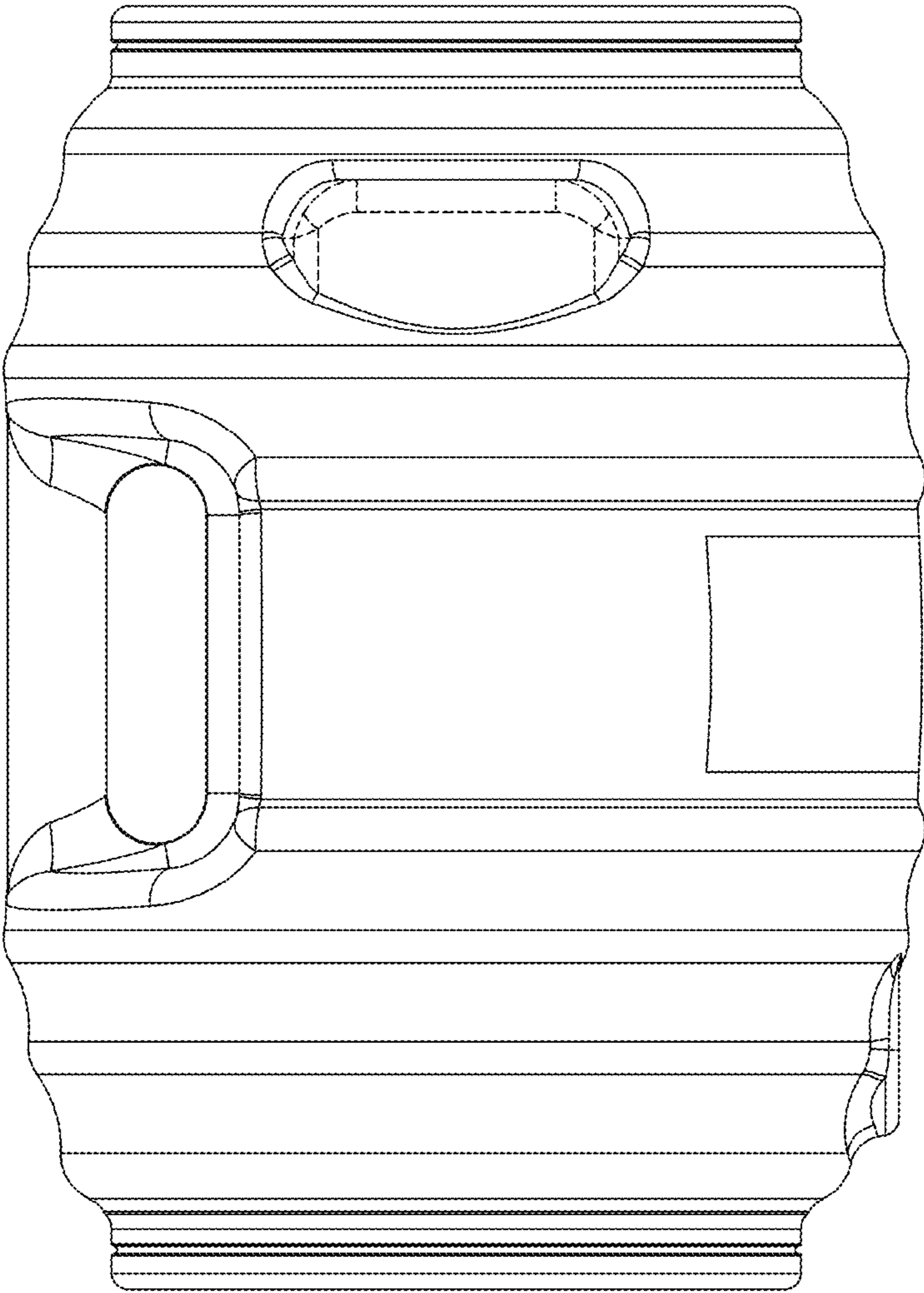


FIG. 2

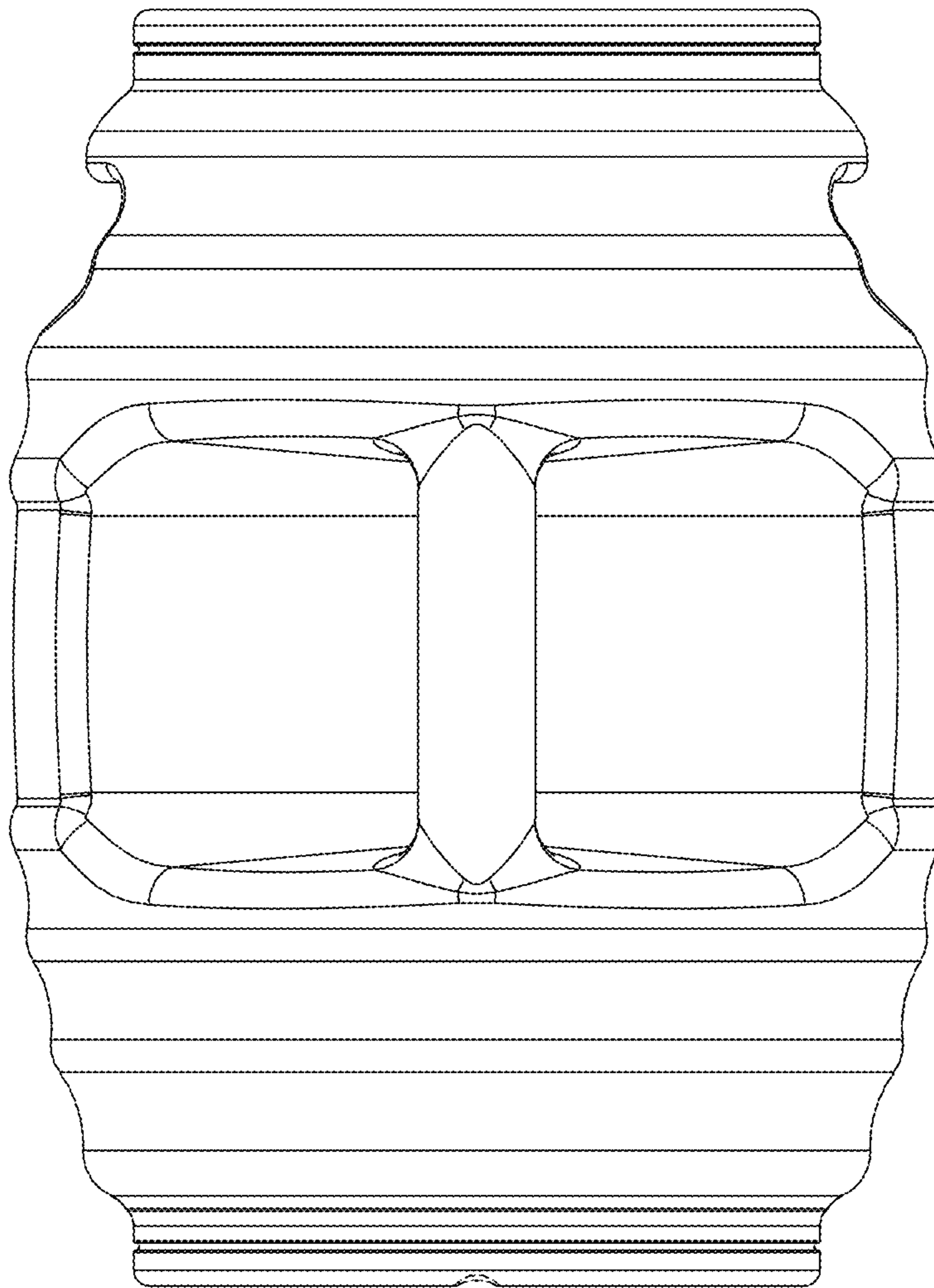


FIG. 3

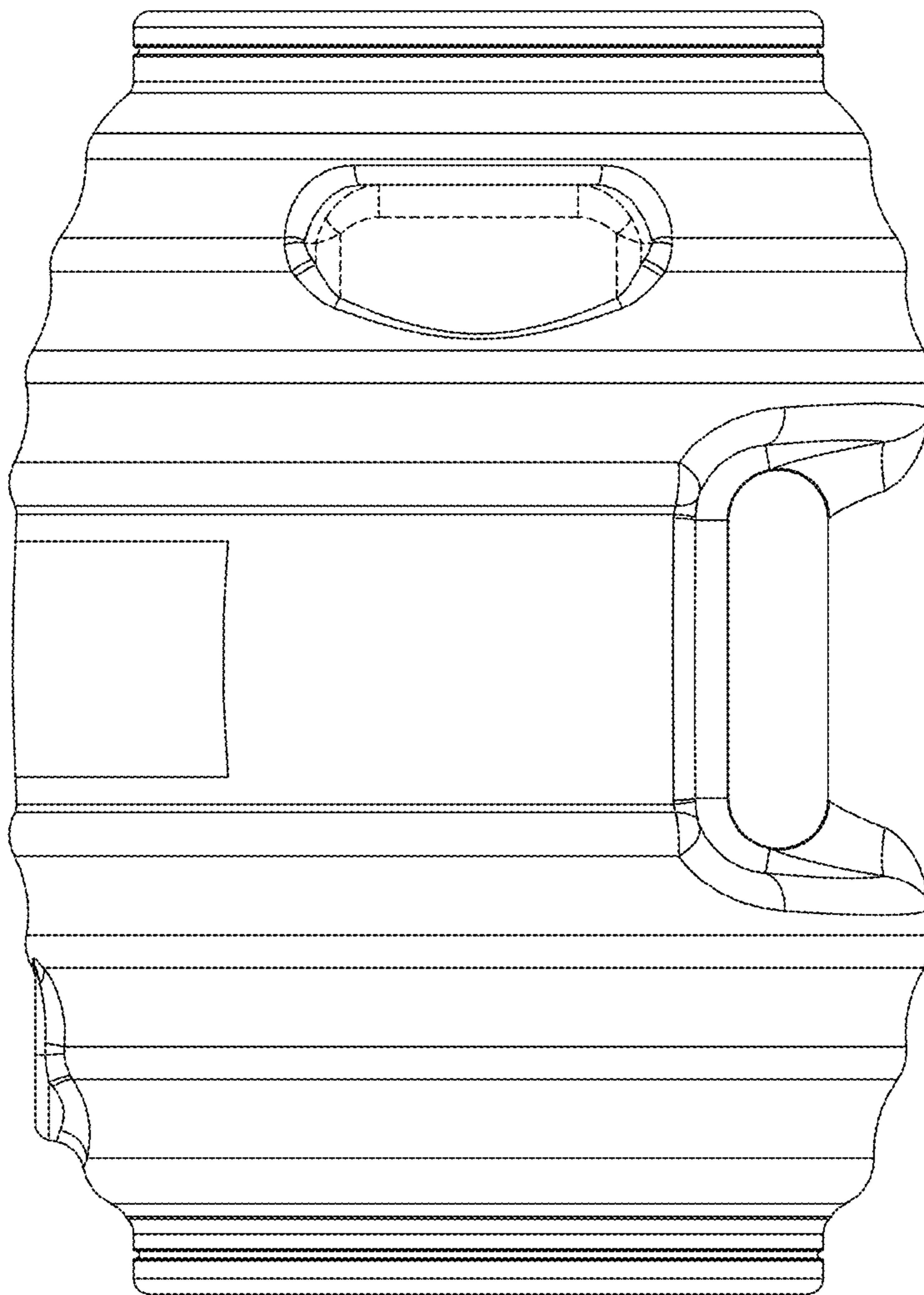


FIG. 4

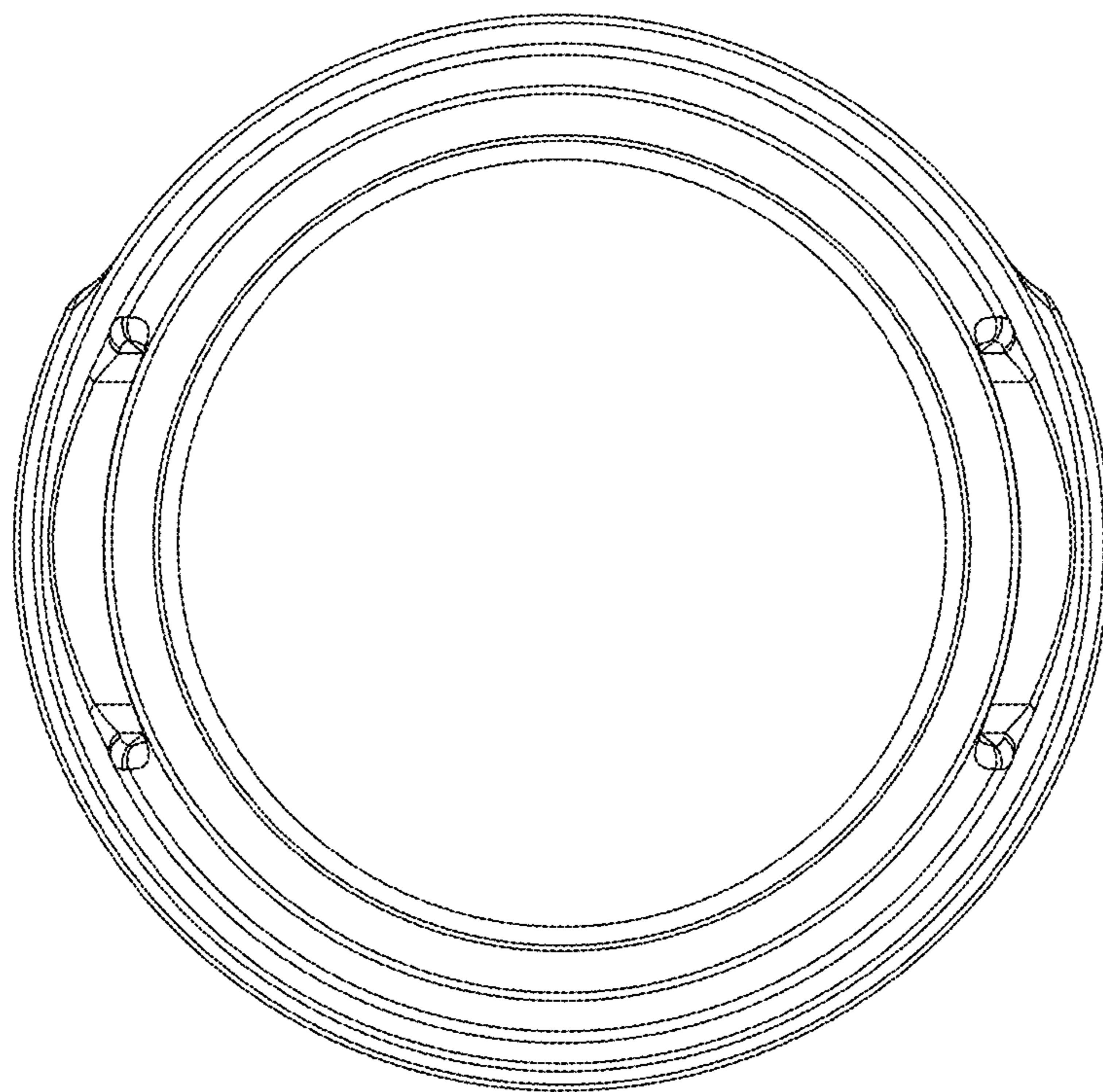


FIG. 5

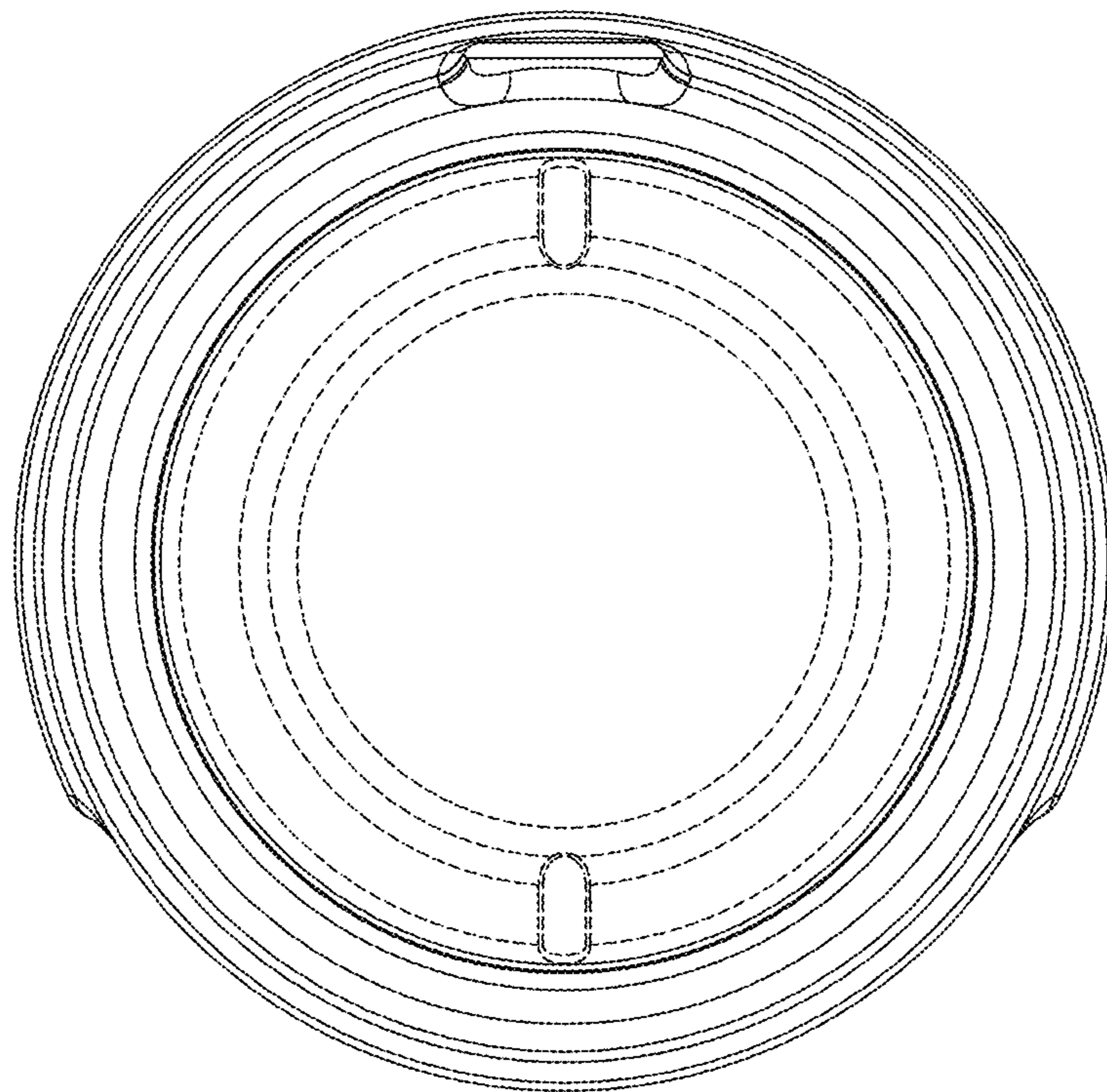


FIG. 6

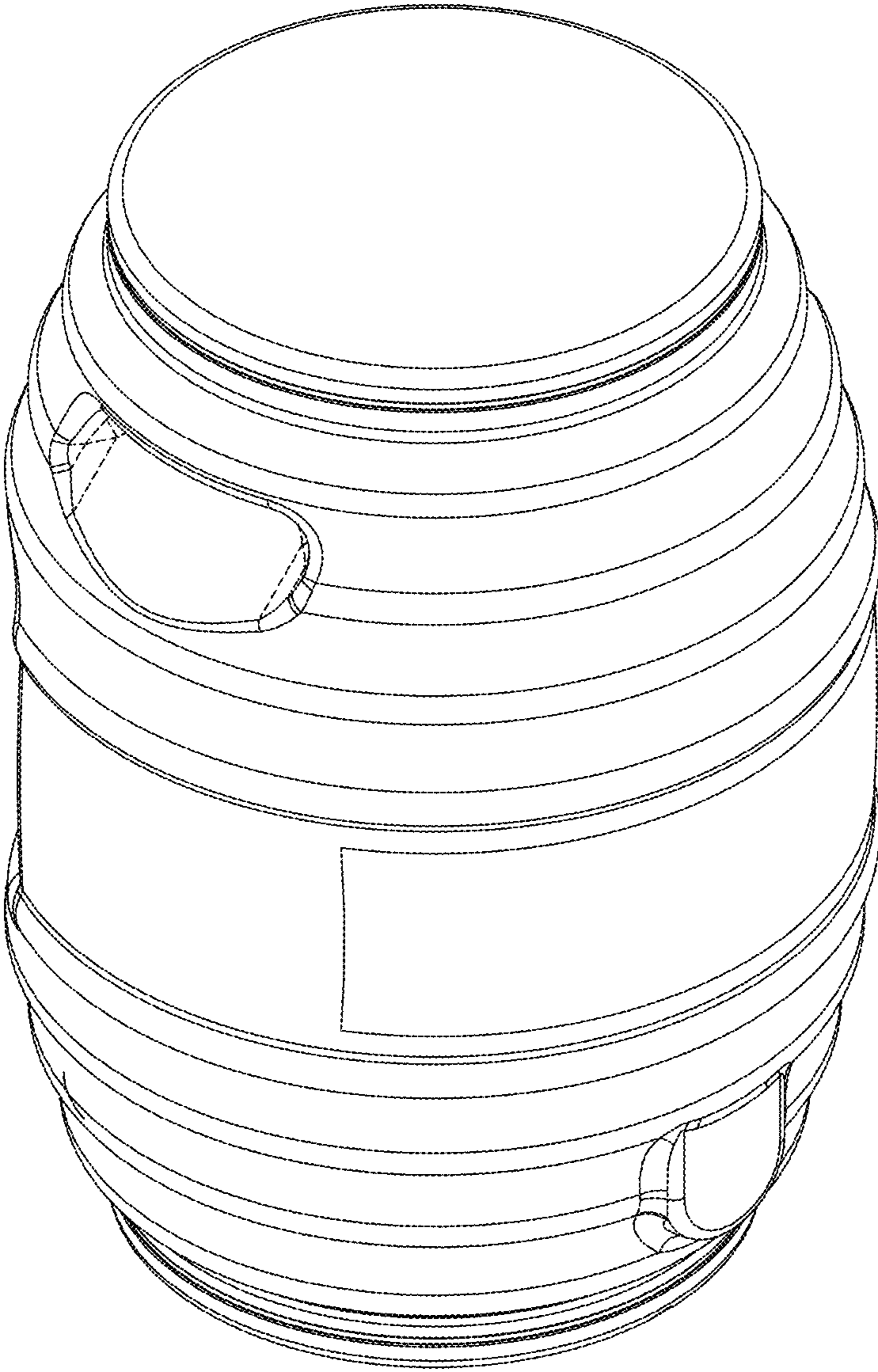


FIG. 7