



US00D834359S

(12) **United States Design Patent**
Yuglich

(10) **Patent No.:** **US D834,359 S**

(45) **Date of Patent:** **** Nov. 27, 2018**

(54) **CHAIR SEAT**

(71) Applicant: **Maximillian Yuglich**, Houston, TX
(US)

(72) Inventor: **Maximillian Yuglich**, Houston, TX
(US)

(**) Term: **15 Years**

(21) Appl. No.: **29/641,460**

(22) Filed: **Mar. 22, 2018**

(51) **LOC (11) Cl.** **06-01**

(52) **U.S. Cl.**
USPC **D6/716**

(58) **Field of Classification Search**
USPC D6/334-336, 360, 366, 374, 375, 716,
D6/716.1, 716.2, 716.3, 716.4
CPC A47C 3/04; A47C 4/02; A47C 4/03; A47C
4/06; A47C 4/028; A47C 7/16; A47C
7/18; A47C 7/24

See application file for complete search history.

(56) **References Cited**

U.S. PATENT DOCUMENTS

D181,559 S	*	11/1957	Van Derweel	D6/334
D677,918 S	*	3/2013	Citterio	D6/366
D732,841 S	*	6/2015	Garcia	D6/334
D759,393 S	*	6/2016	Hayon	D6/334
D765,434 S	*	9/2016	Dixon	D6/334
D801,716 S	*	11/2017	Fukasawa	D6/366

* cited by examiner

Primary Examiner — Mimosa De

(74) *Attorney, Agent, or Firm* — Bushman Werner, P.C.

(57) **CLAIM**

The ornamental design for a chair seat, as shown and described.

DESCRIPTION

FIG. 1 is a front, perspective view of a chair seat.

FIG. 2 is a front, perspective view of a chair using the chair seat of FIG. 1.

FIG. 3 is a back, perspective view of the embodiment shown in FIG. 2.

FIG. 4 is a front, elevational view of the embodiment shown in FIG. 2.

FIG. 5 is a side, elevational view of the embodiment shown in FIG. 2. The opposite side is a mirror image and thus is not provided as a separate figure.

FIG. 6 is a top, plan view of the embodiment shown in FIG. 2.

FIG. 7 is a bottom, plan view of the embodiment shown in FIG. 2.

FIG. 8 is back, elevational view of the embodiment shown in FIG. 2.

FIG. 9 is another embodiment of chair seat with piping running along the sides and back of the chair seat. The opposite side is a mirror image and thus is not provided as a separate figure.

FIG. 10 is a cross-sectional view taken along the lines 10-10 of FIG. 5; and,

FIG. 11 is a cross-sectional view taken along the lines 11-11 of FIG. 9.

1 Claim, 5 Drawing Sheets

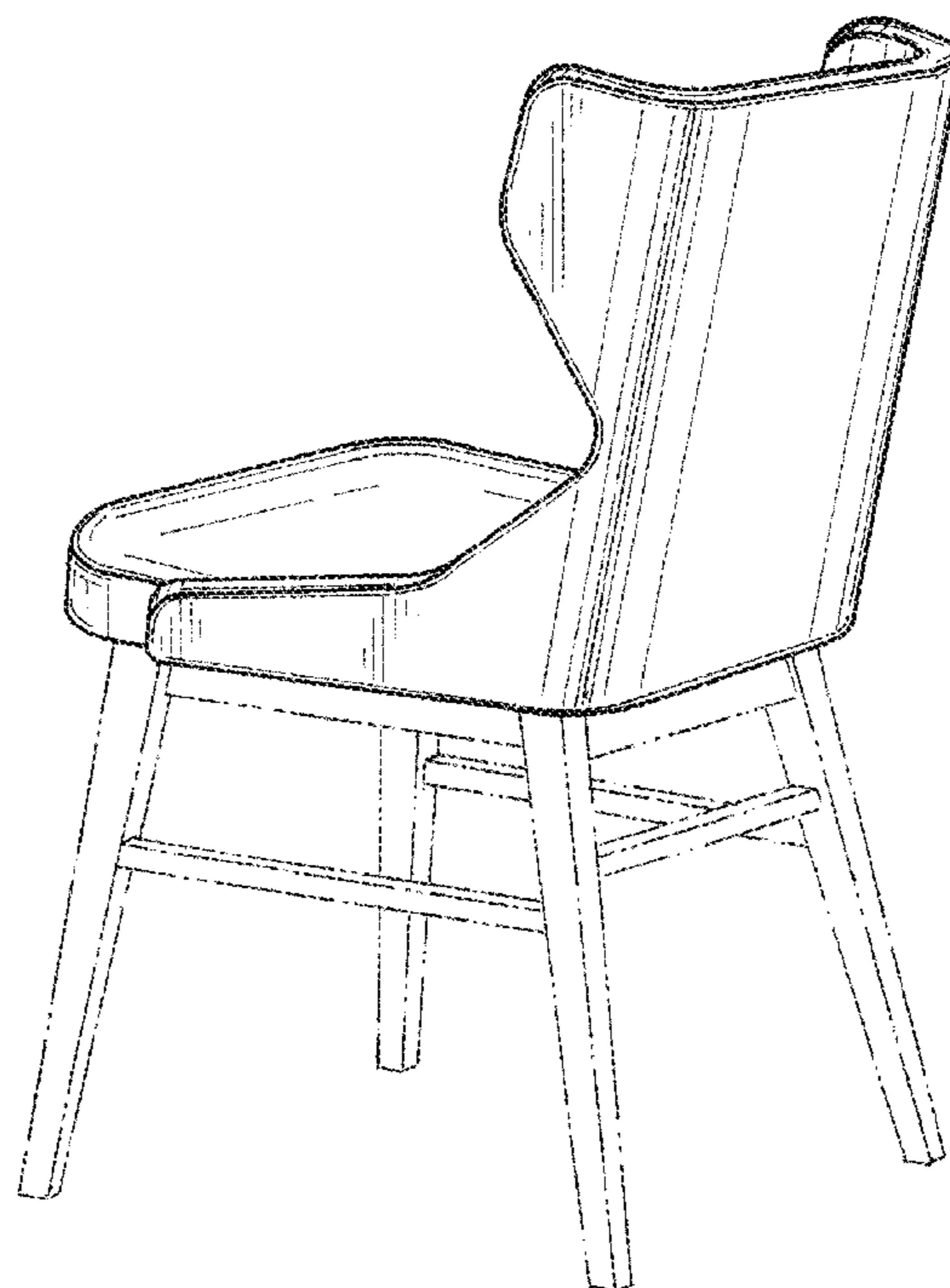
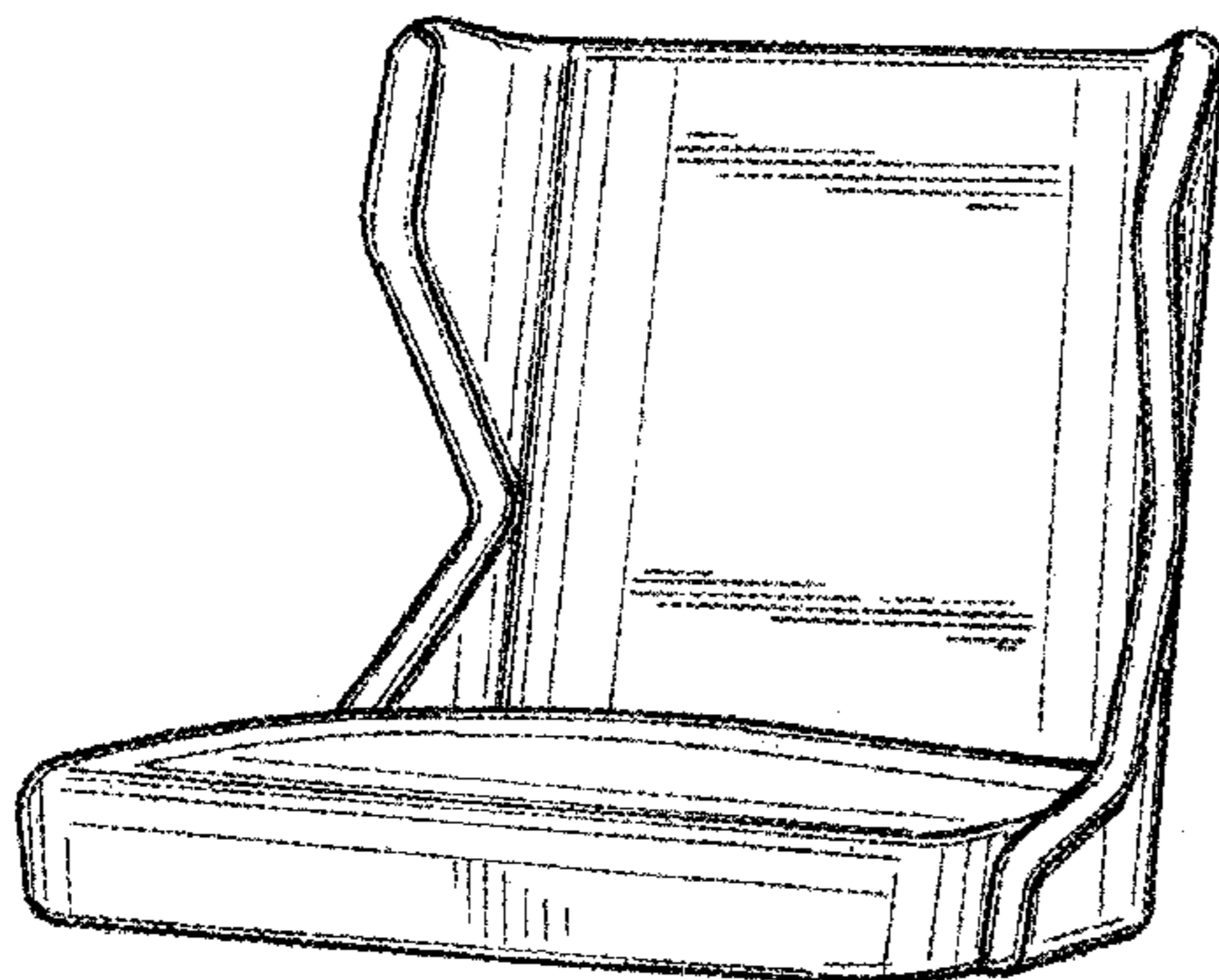


FIG.1

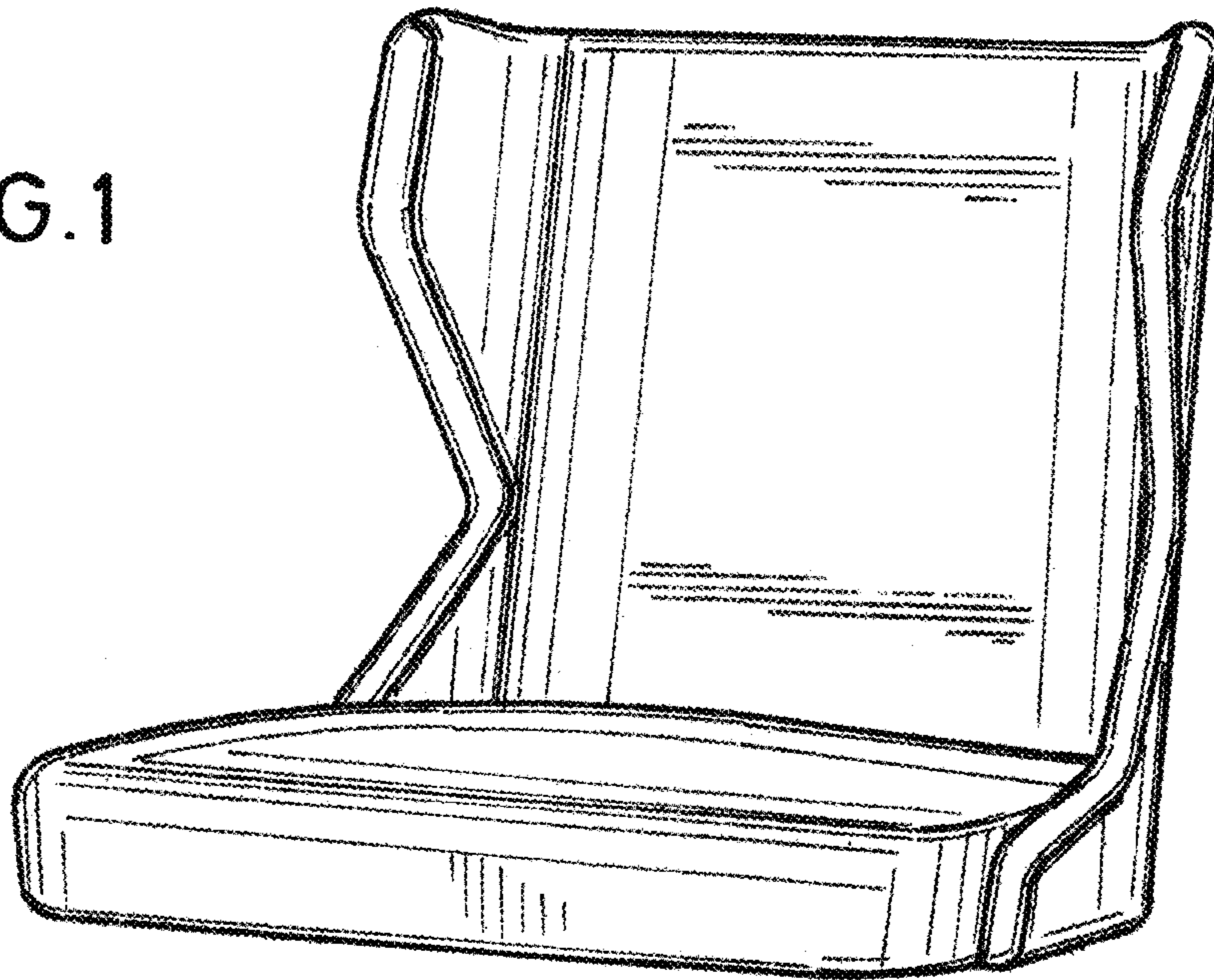
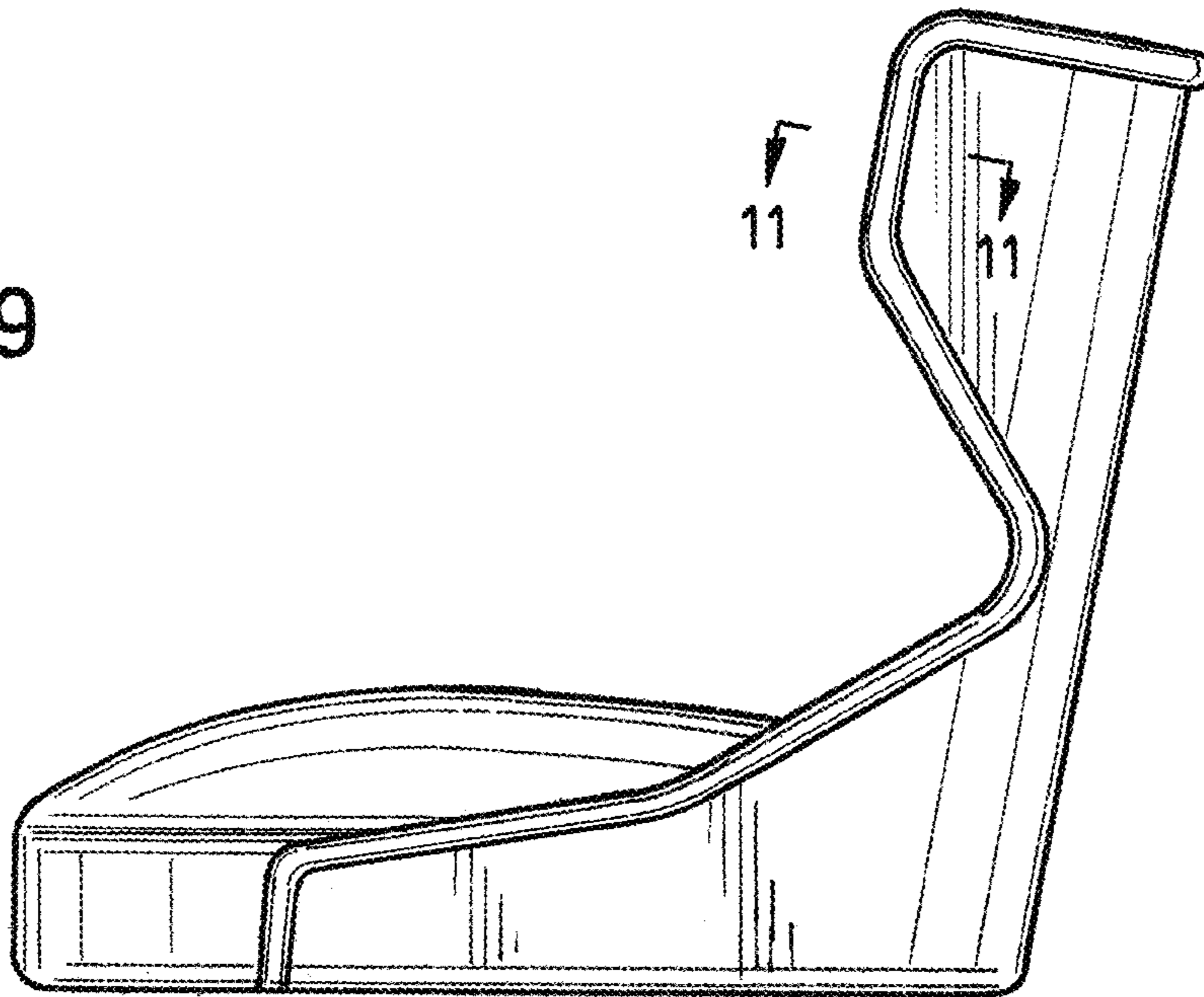


FIG.9



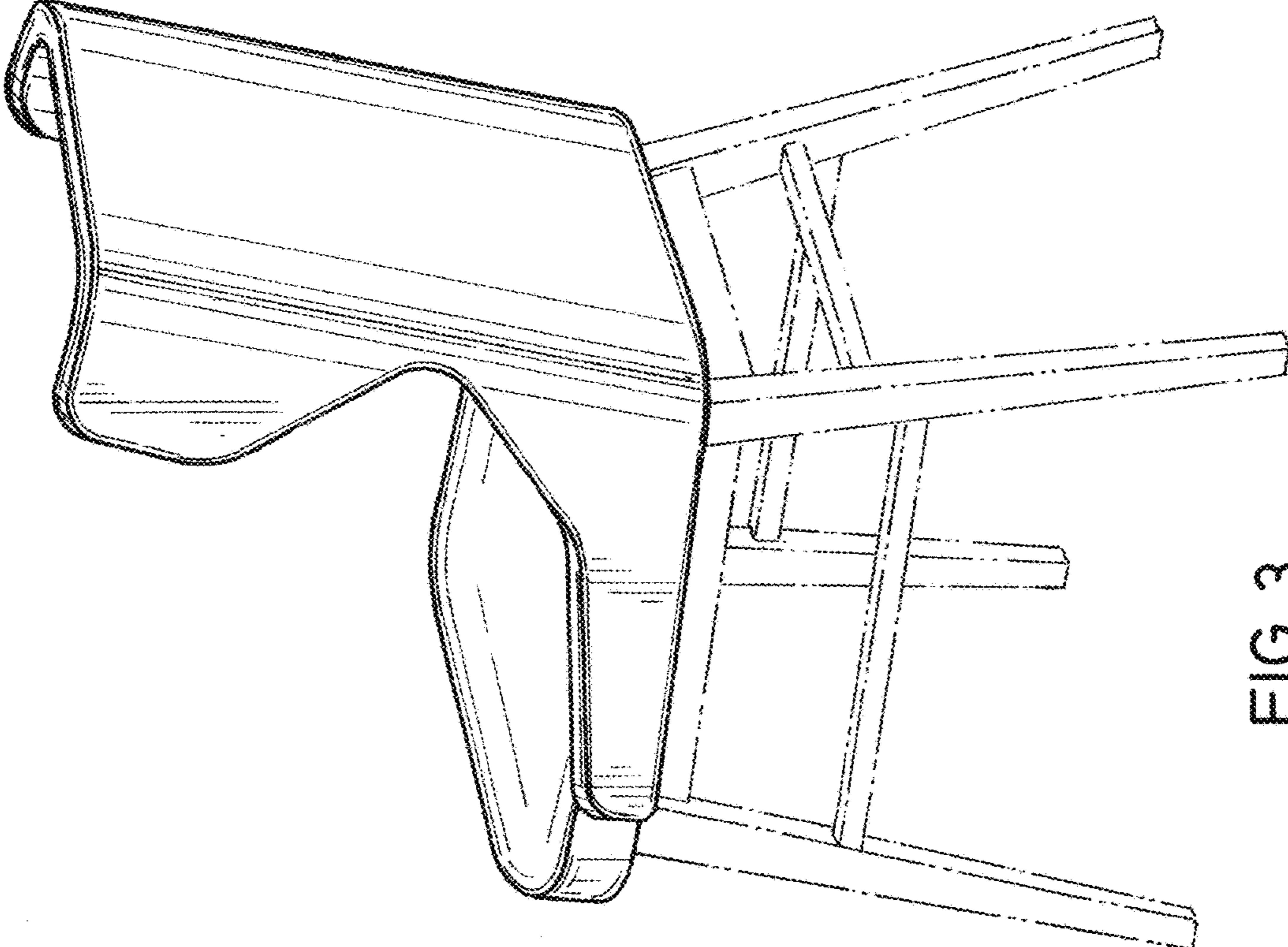


FIG. 3

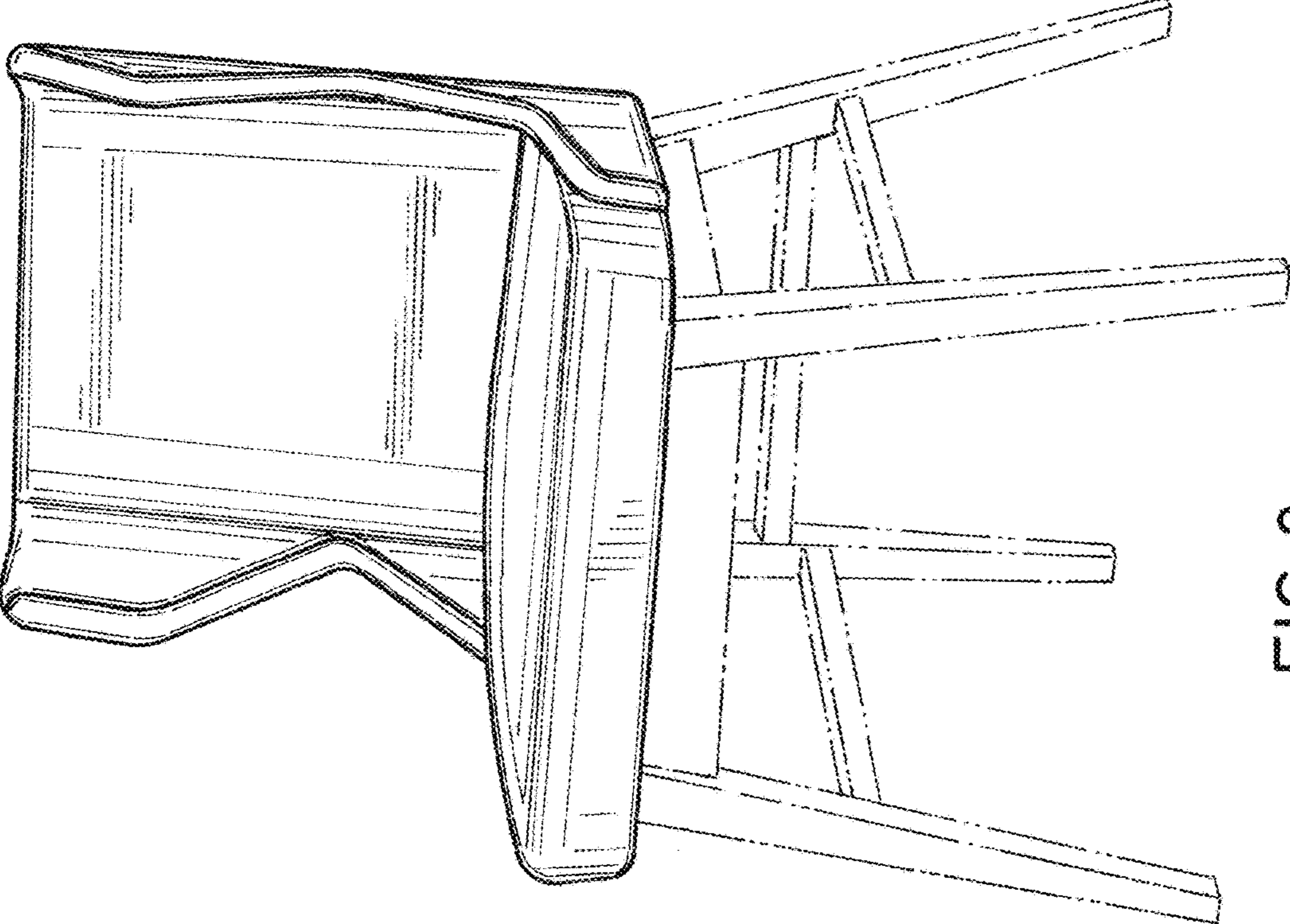


FIG. 2

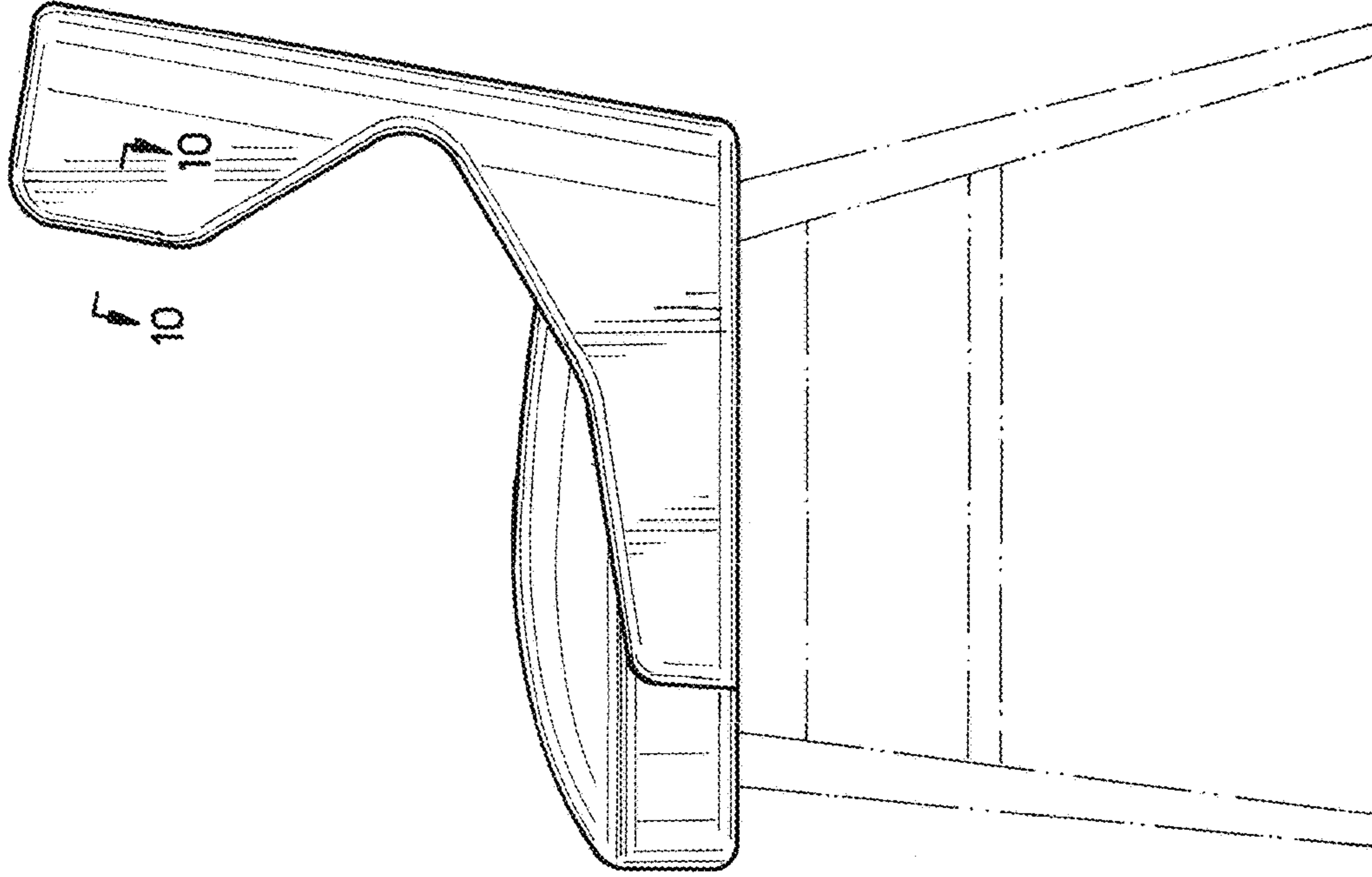


FIG. 4

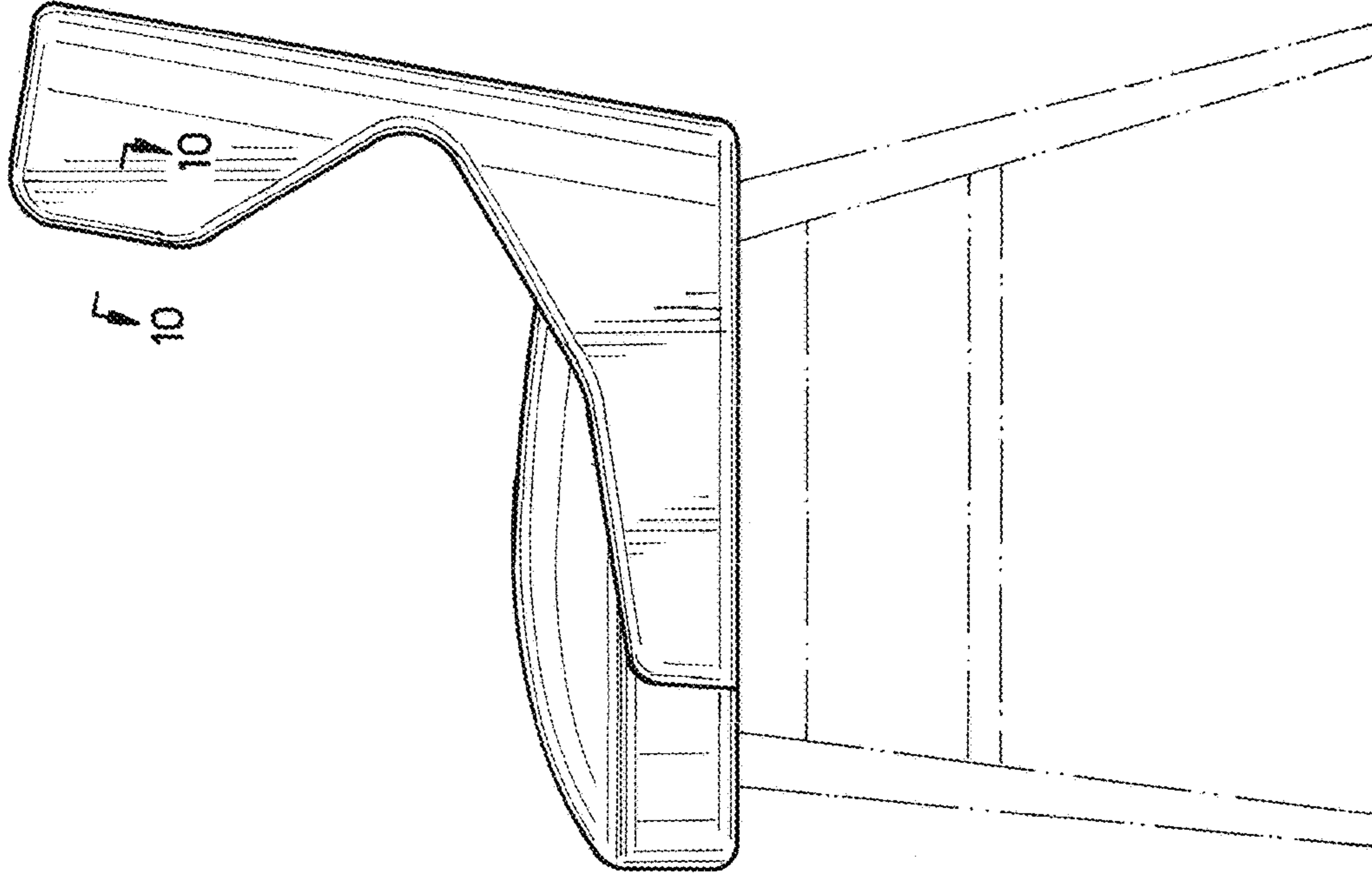


FIG. 5

FIG. 6

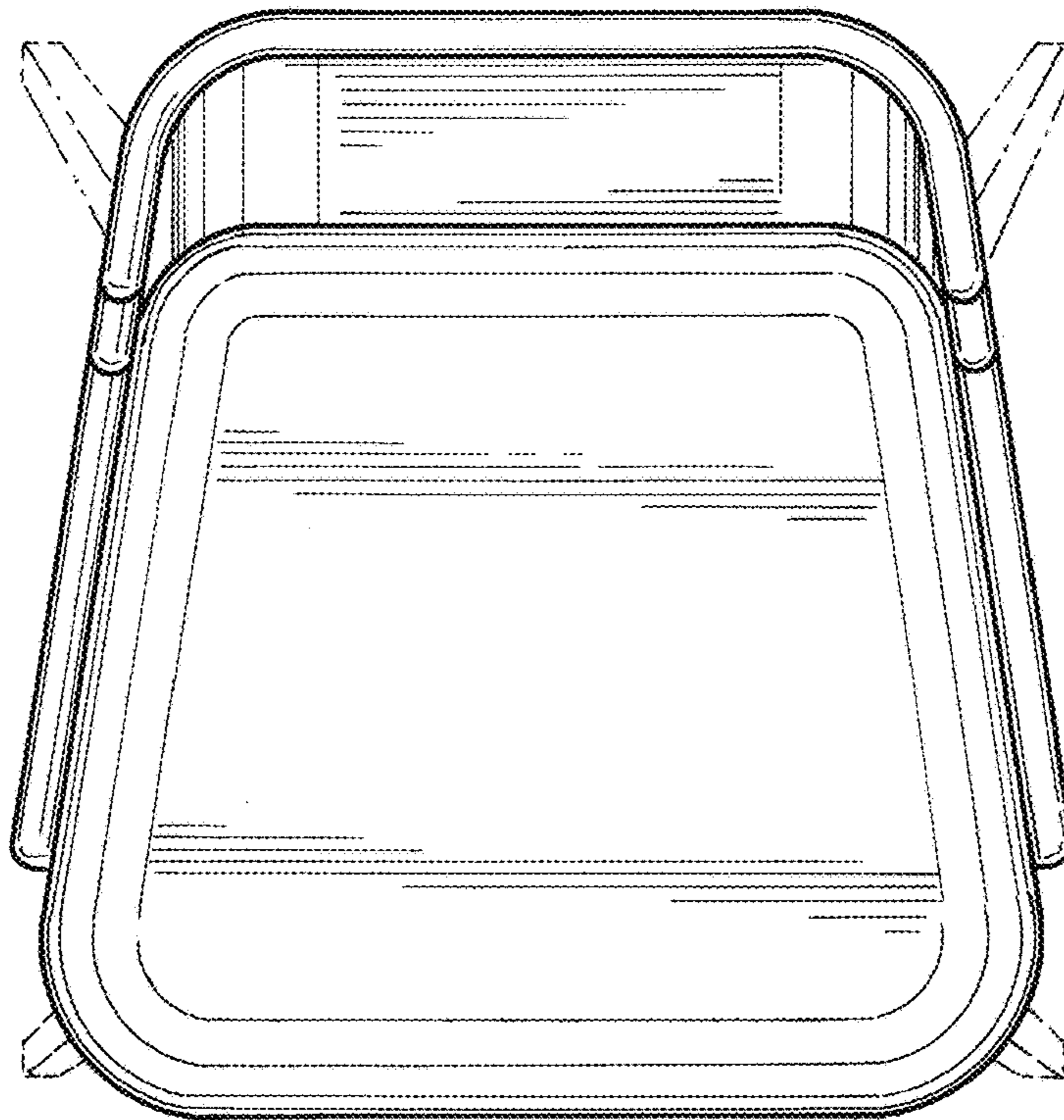
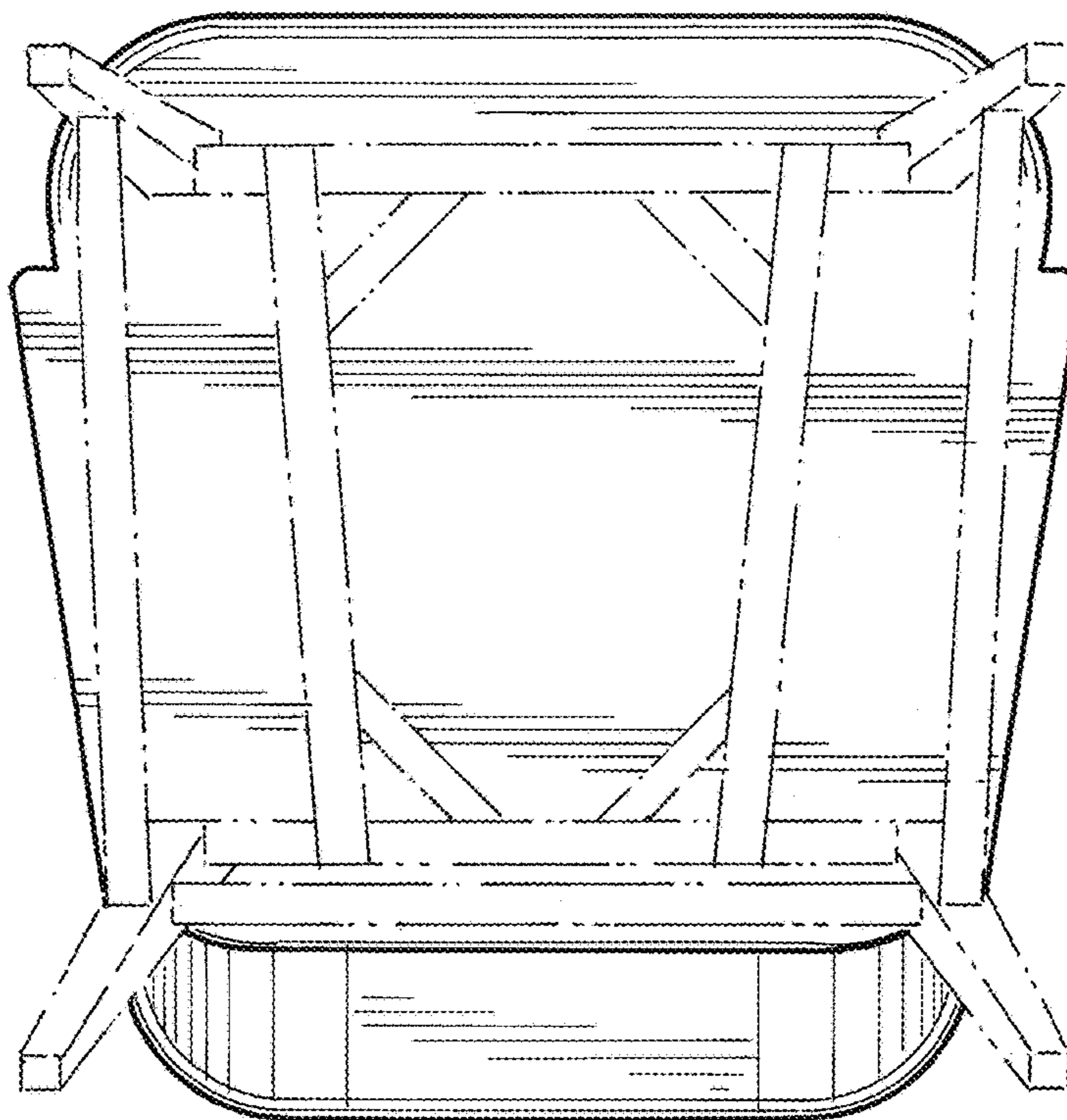


FIG. 7



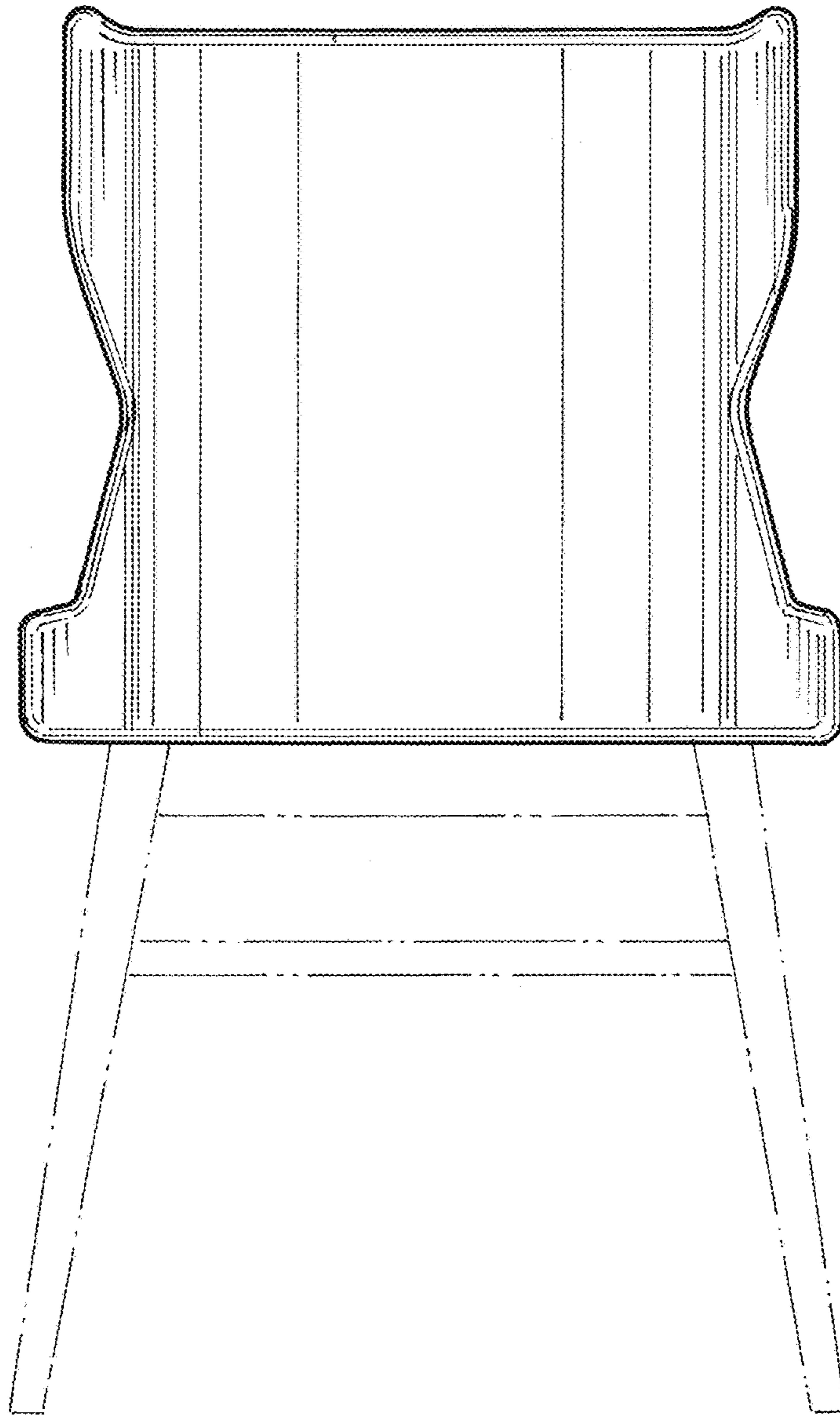


FIG. 8

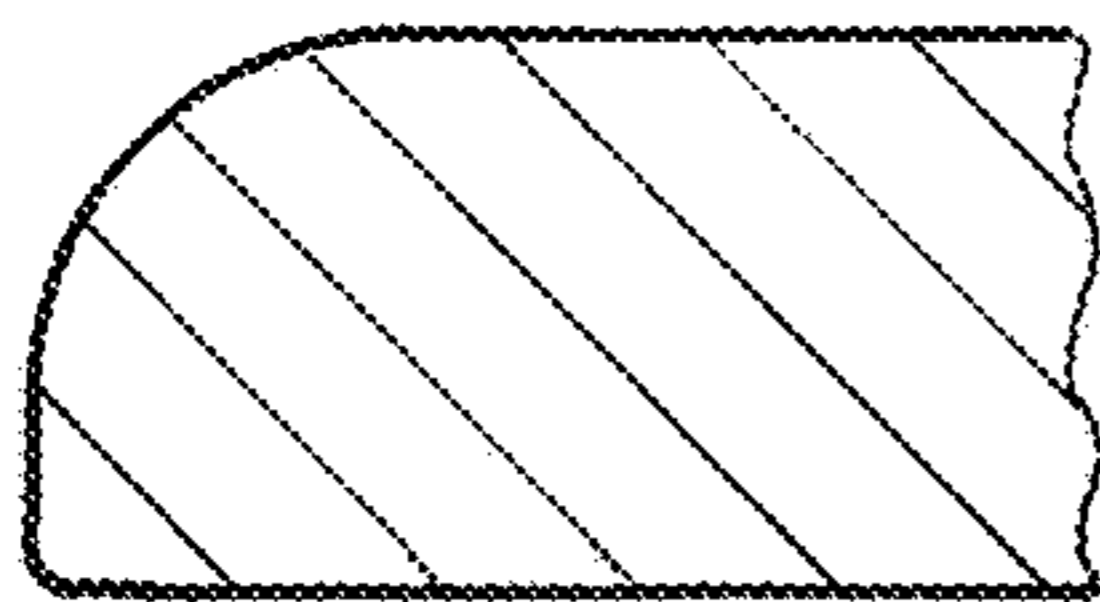


FIG. 10

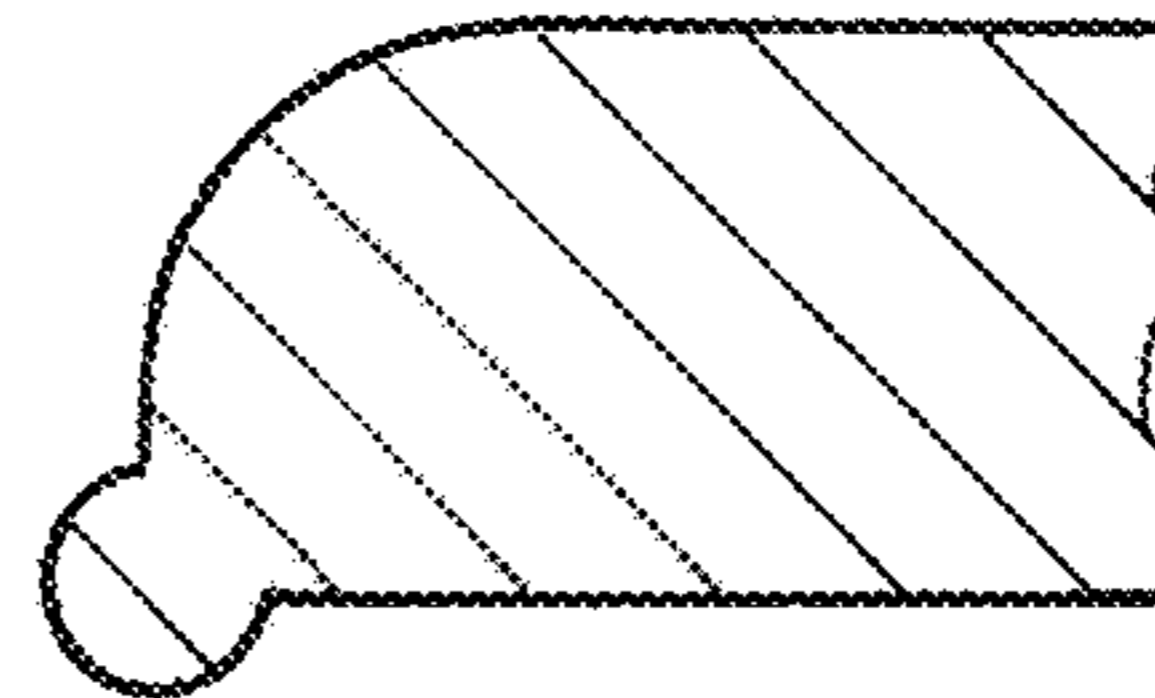


FIG. 11