



US00D834358S

(12) **United States Design Patent** (10) **Patent No.:** **US D834,358 S**
Fischer (45) **Date of Patent:** **** Nov. 27, 2018**

(54) **PENDANT STAND**
(71) Applicant: **John G. Fischer**, Irving, TX (US)
(72) Inventor: **John G. Fischer**, Irving, TX (US)
(73) Assignee: **Tooth Fairy Designs, Inc.**, Irving, TX (US)
(**) Term: **15 Years**

D364,757 S * 12/1995 Jaeger D3/18
D545,081 S * 6/2007 Lara D6/677
D643,231 S * 8/2011 Huang D6/672
D694,069 S * 11/2013 Goodman D7/601
D697,373 S * 1/2014 Goodman D7/601
D698,203 S * 1/2014 Goodman D7/601
D698,204 S * 1/2014 Goodman D7/601
D787,891 S * 5/2017 Goodman D7/601
D788,542 S * 6/2017 Goodman D7/601
D794,395 S * 8/2017 Goodman D7/601

* cited by examiner

(21) Appl. No.: **29/573,624**
(22) Filed: **Aug. 8, 2016**
(51) **LOC (11) Cl.** **06-06**
(52) **U.S. Cl.**
USPC **D6/677**
(58) **Field of Classification Search**
USPC D6/672, 673, 677, 677.5, 678, 681,
D6/681.1, 682, 682.5; D7/600.1, 601,
D7/602
CPC A47F 5/00; A47F 5/006; A47F 5/04; A47F
7/00; A47F 7/002; A47F 7/02; A47F
7/0071
See application file for complete search history.

Primary Examiner — Kelley Donnelly
(74) *Attorney, Agent, or Firm* — John G. Fischer, Esq.;
Scheef & Stone, L.L.P.

(57) **CLAIM**

The ornamental design for a pendant stand, as shown.

DESCRIPTION

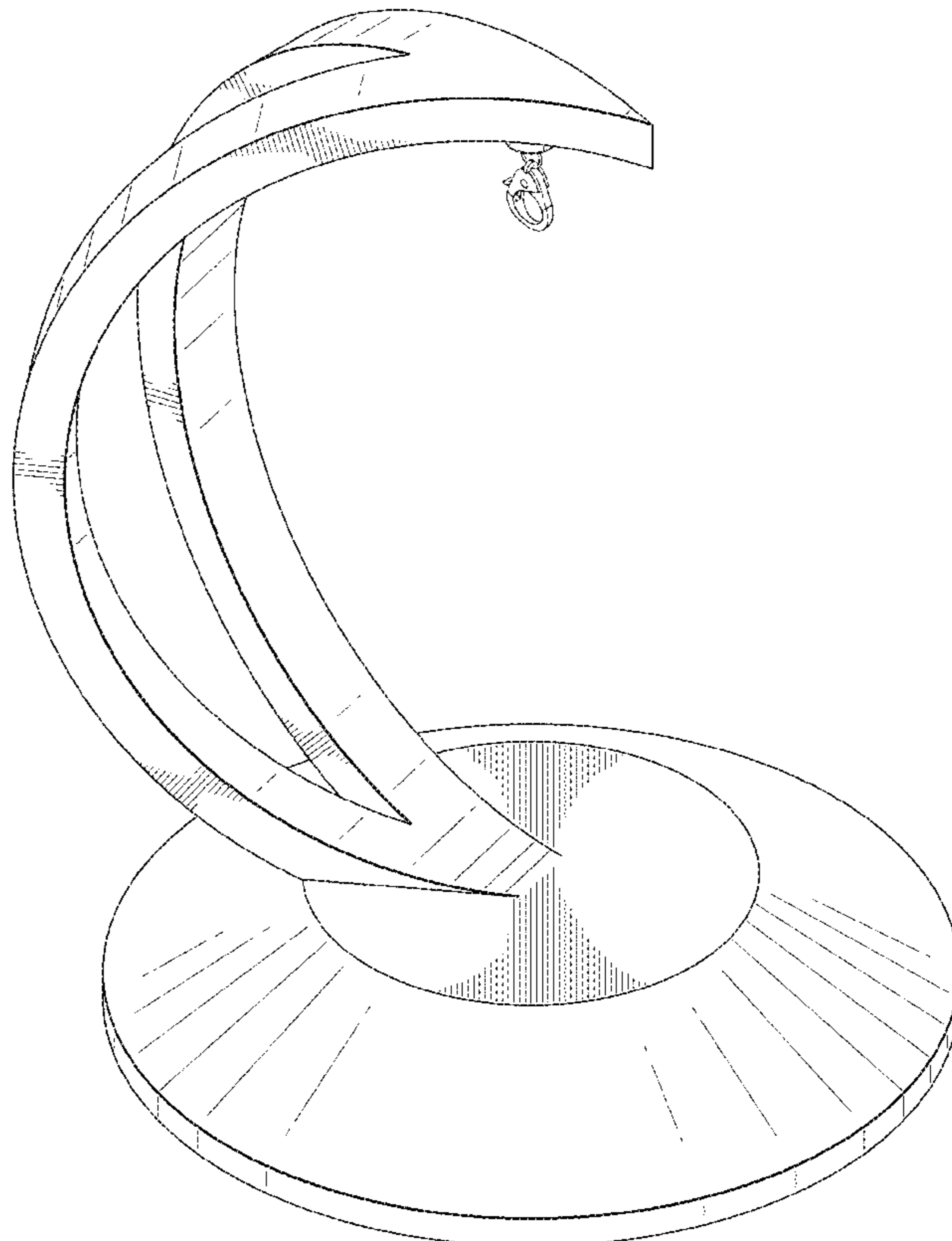
FIG. 1 is a perspective view of my new design for a pendant stand;
FIG. 2 is a front view thereof;
FIG. 3 is a rear view thereof;
FIG. 4 is a right side view thereof;
FIG. 5 is a left side view thereof;
FIG. 6 is a top view thereof;
FIG. 7 is a bottom view thereof; and,
FIG. 8 is a bottom perspective view thereof.

(56) **References Cited**

U.S. PATENT DOCUMENTS

D288,154 S * 2/1987 Hobgood D11/131
D300,790 S * 4/1989 Beckwith D11/131

1 Claim, 8 Drawing Sheets



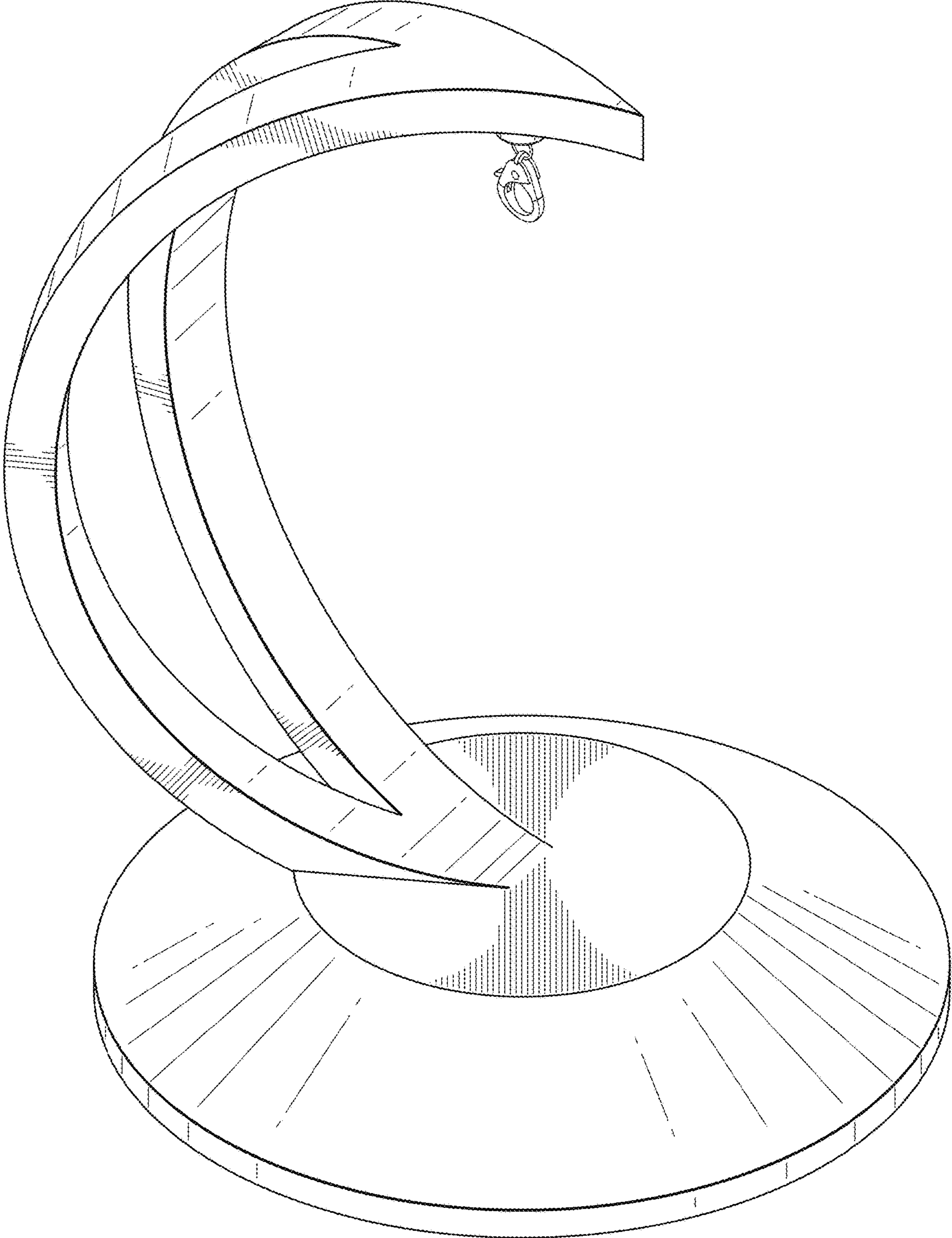


FIG. 1

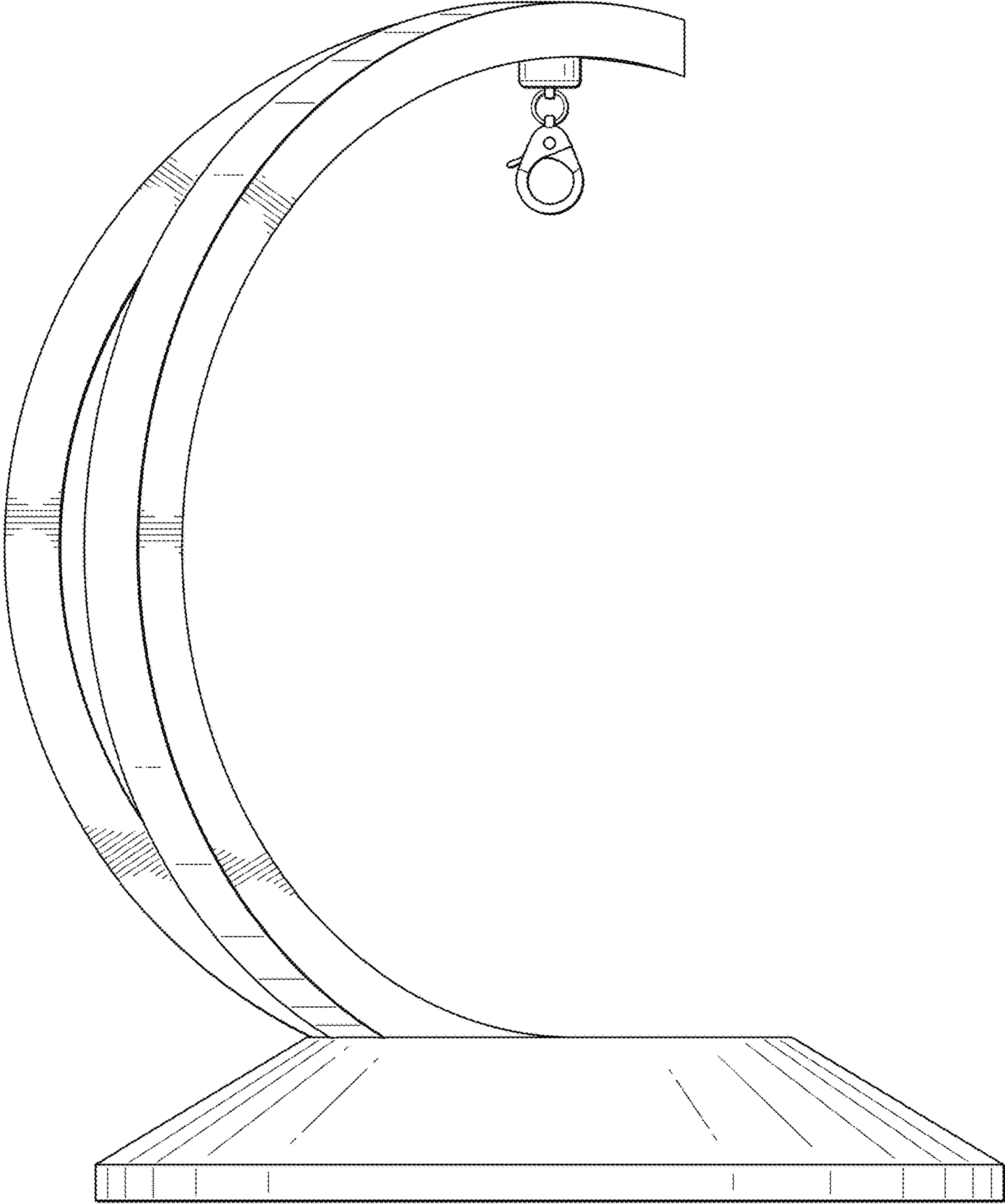


FIG. 2

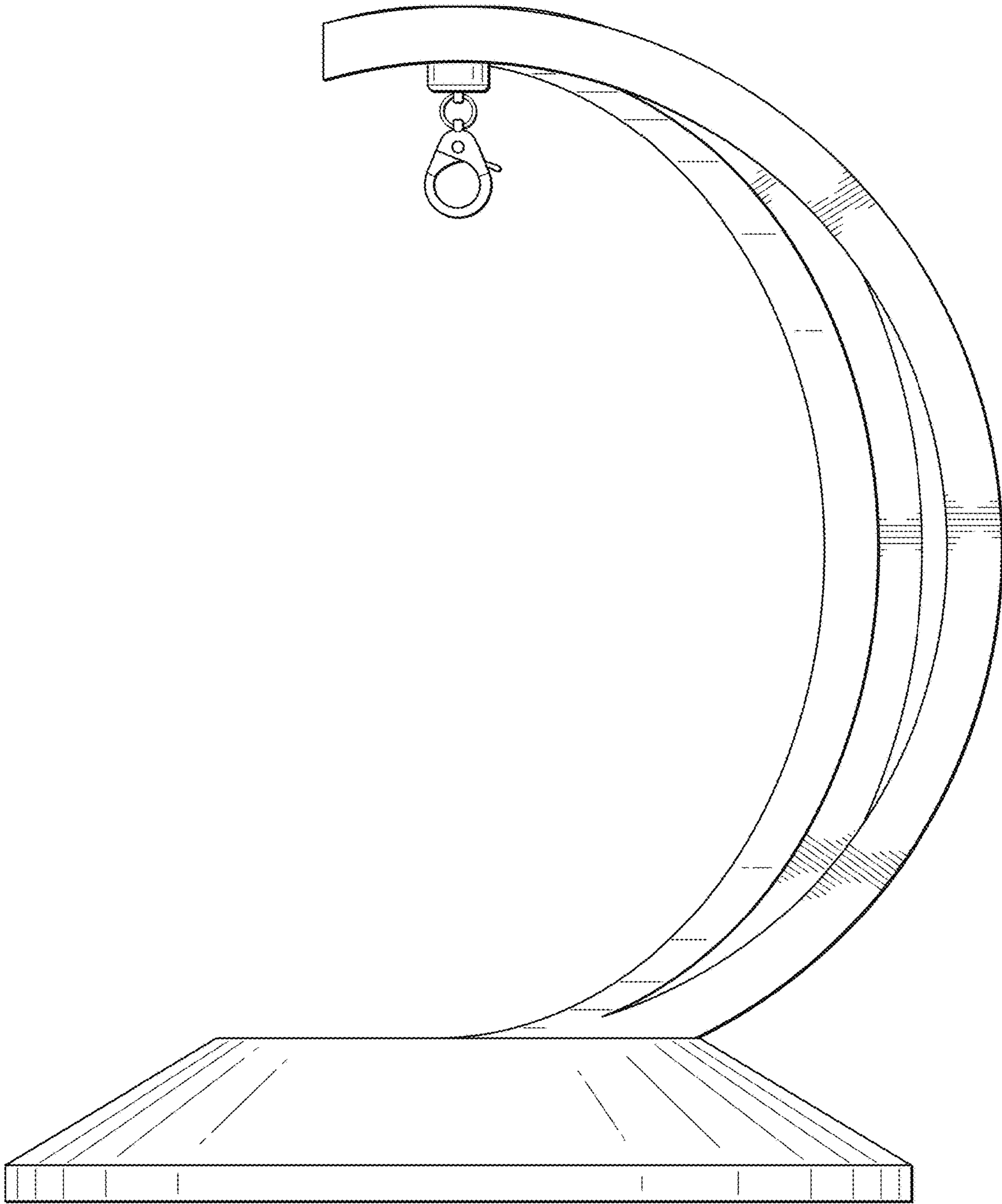


FIG. 3

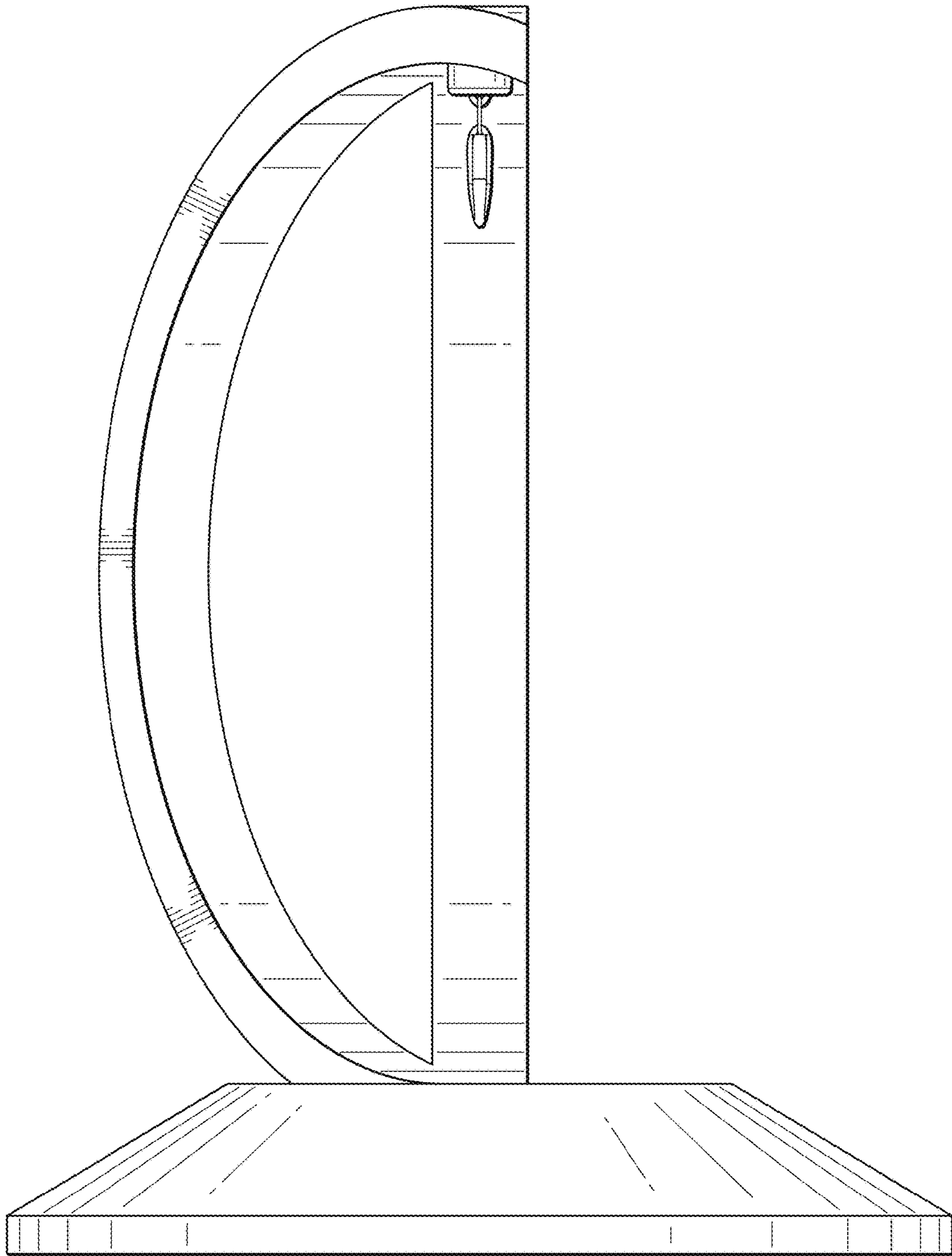


FIG. 4

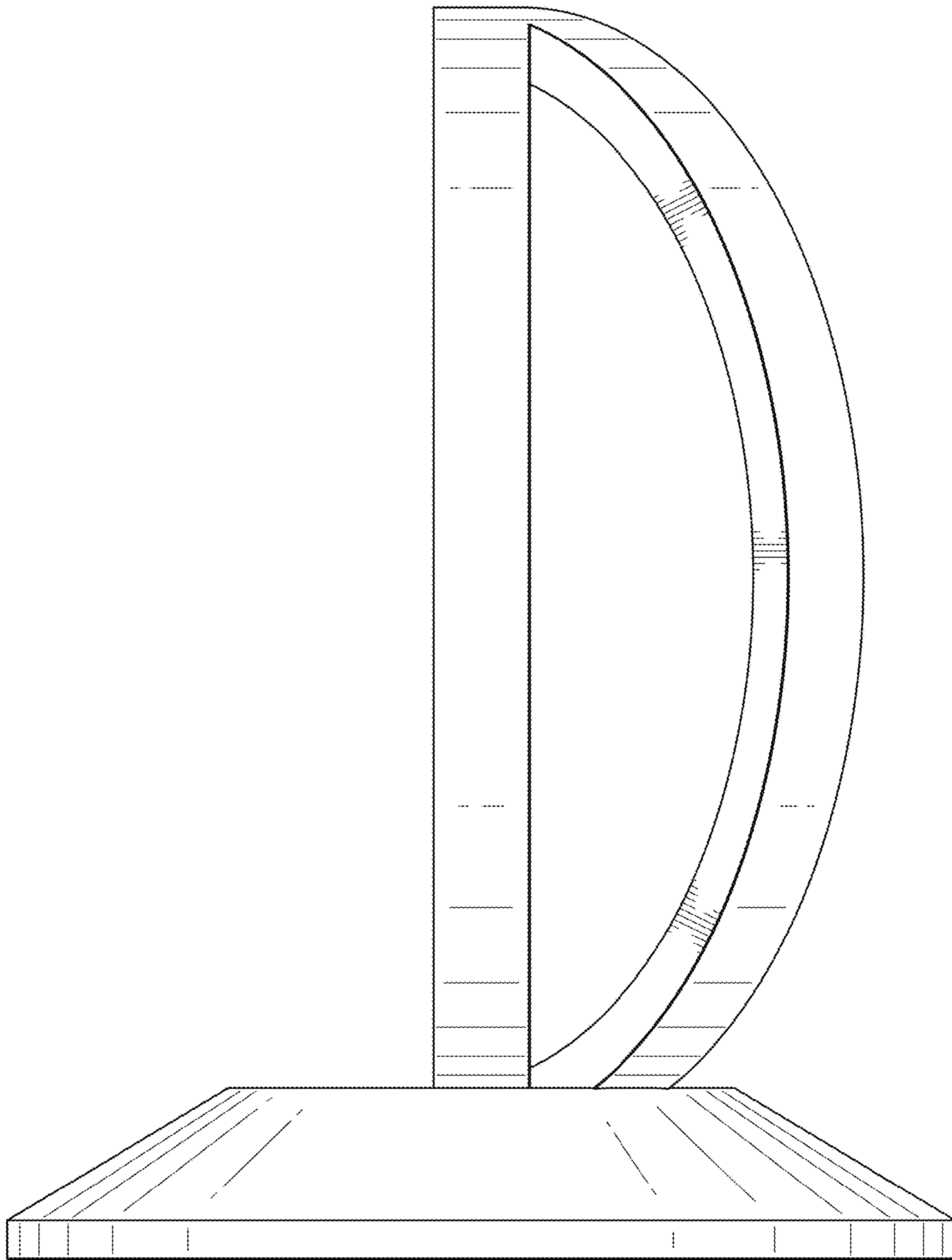


FIG. 5

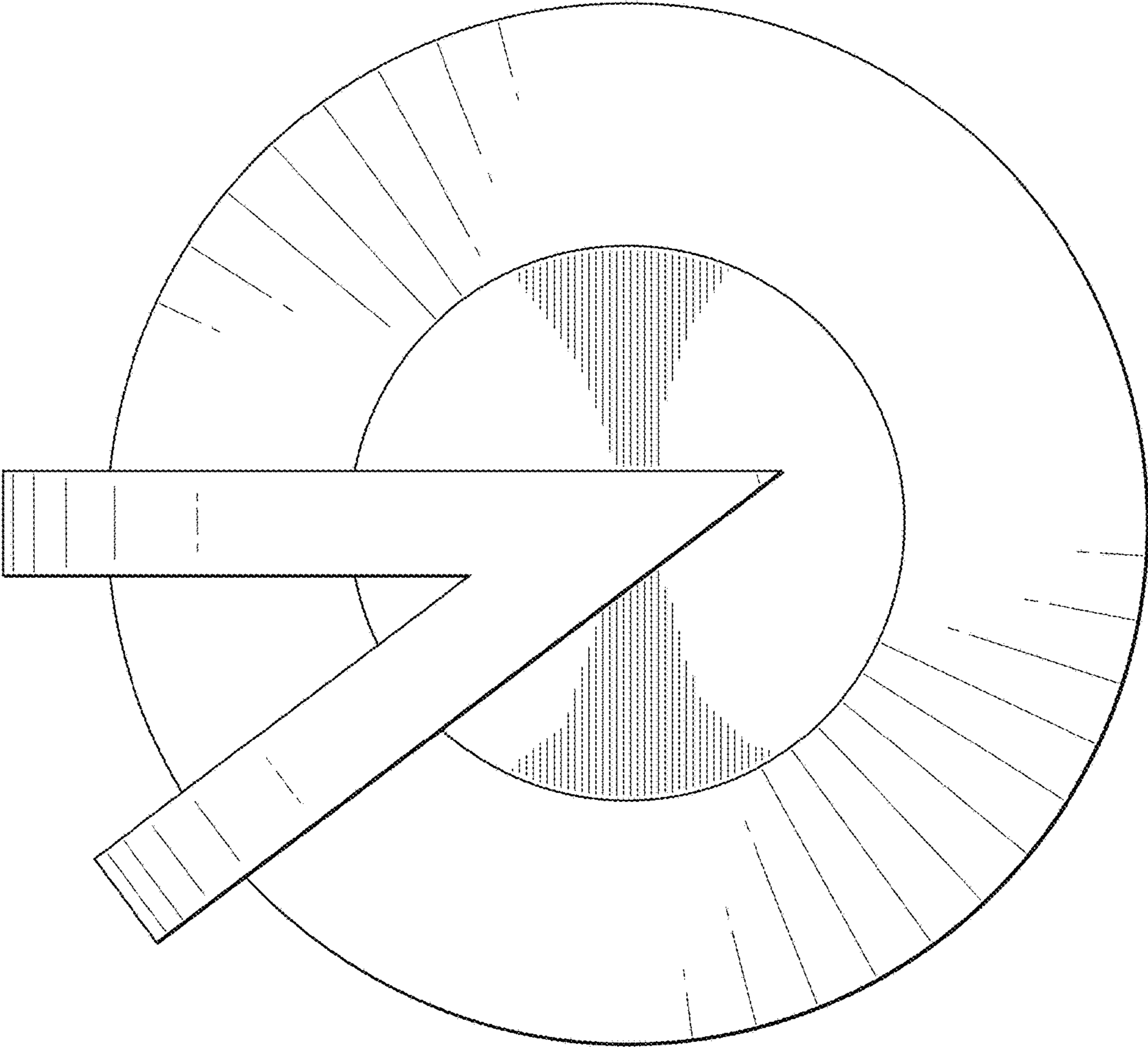


FIG. 6

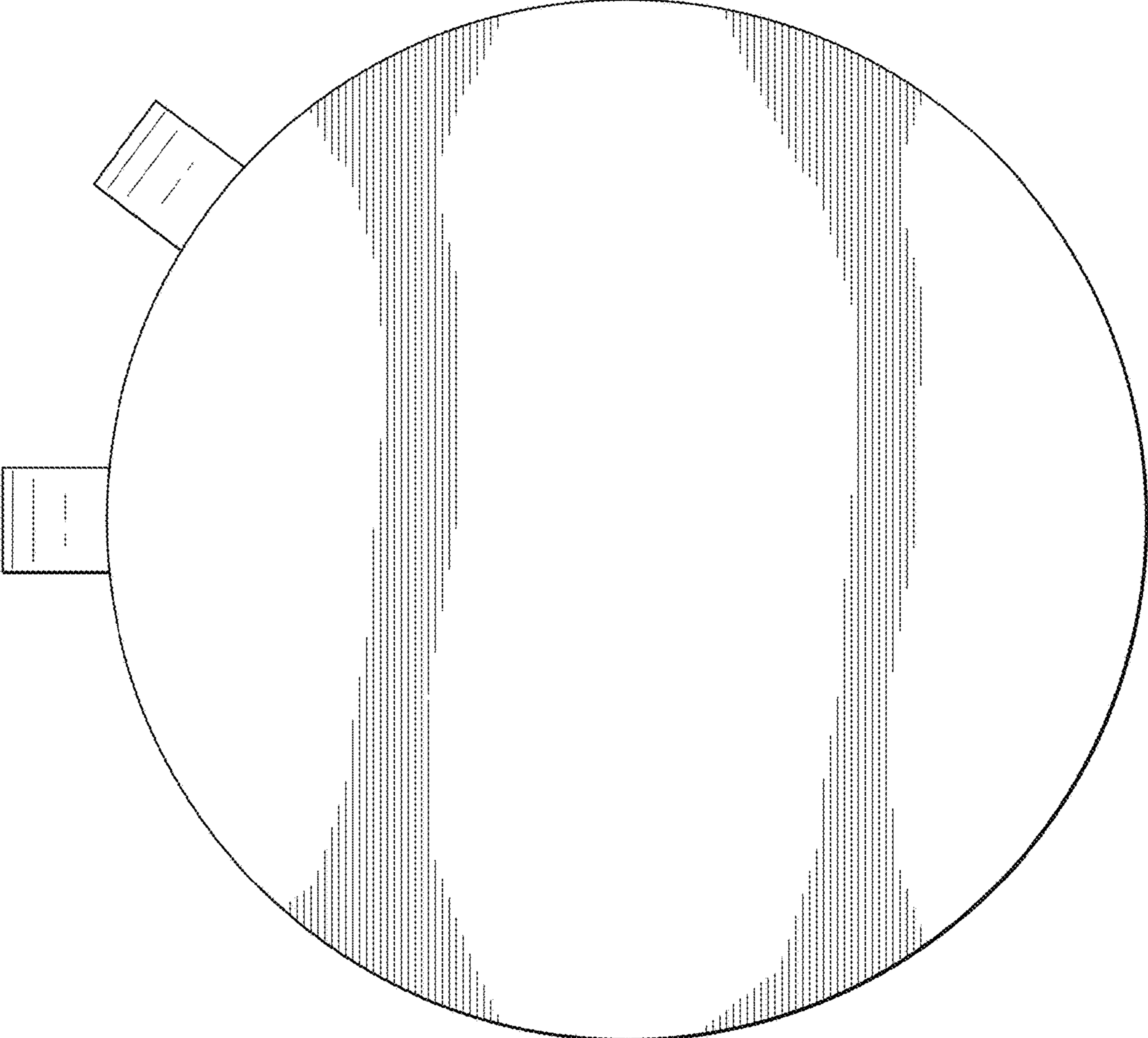


FIG. 7

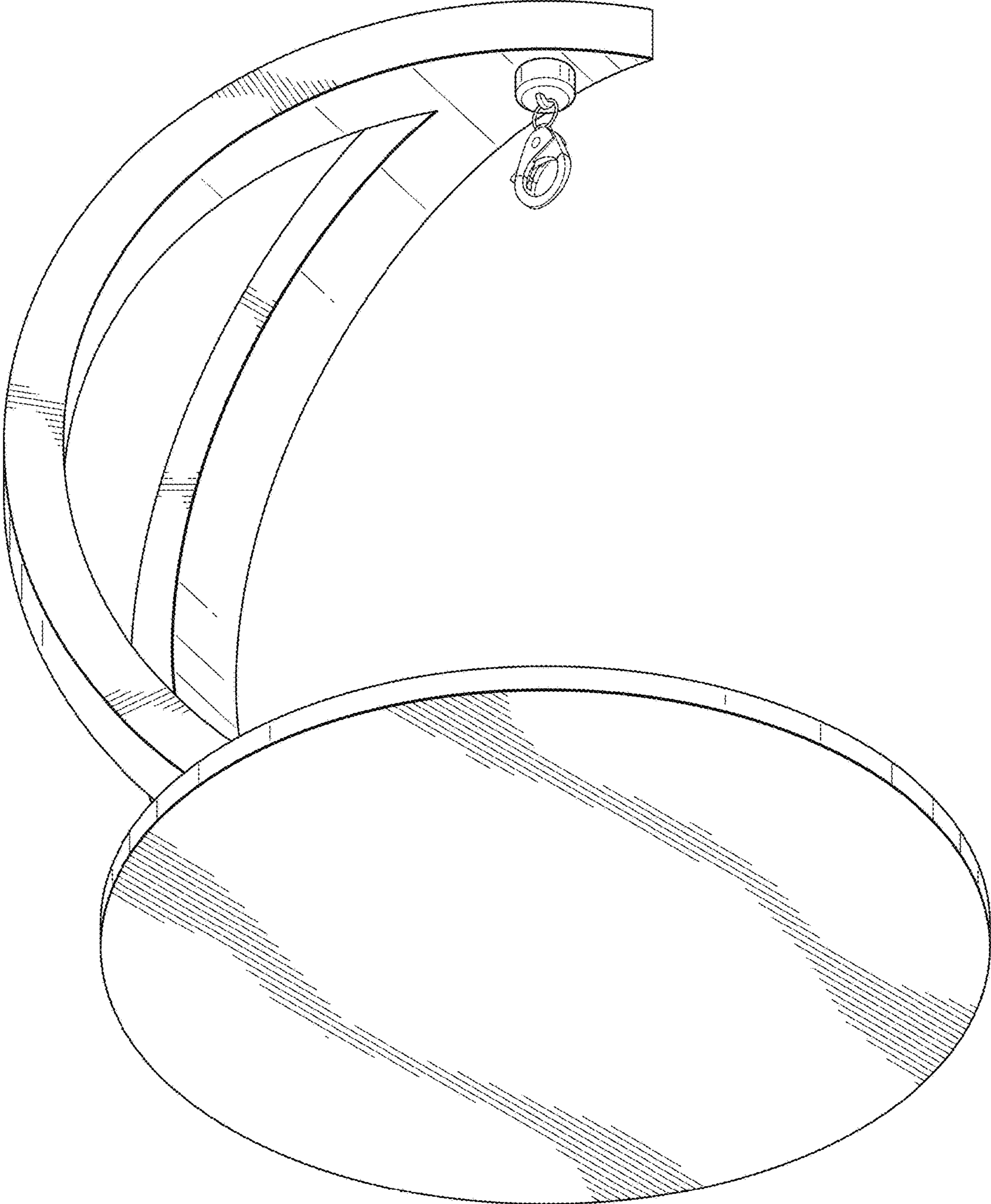


FIG. 8