



US00D834356S

(12) **United States Design Patent** (10) **Patent No.:** **US D834,356 S**
Chapuis et al. (45) **Date of Patent:** **** Nov. 27, 2018**

(54) **RETAIL DISPLAY**
(71) Applicant: **June20, Inc.**, Hayward, CA (US)
(72) Inventors: **Paul Chapuis**, Woodside, CA (US);
Steven D. Penny, Oakland, CA (US)

D740,595 S * 10/2015 Kim D6/672
D741,091 S * 10/2015 Tio D6/675
D758,773 S * 6/2016 Kim D6/672
9,395,037 B2 7/2016 Ballhatchet
D769,651 S * 10/2016 Tio D6/675
D770,203 S * 11/2016 Thaler D6/673
(Continued)

(73) Assignee: **JUNE20, INC.**, Hayward, CA (US)
(**) Term: **15 Years**

FOREIGN PATENT DOCUMENTS

CN 102334864 A 2/2012
CN 103653987 A 3/2014
(Continued)

(21) Appl. No.: **29/639,664**
(22) Filed: **Mar. 7, 2018**

OTHER PUBLICATIONS

June20 Omnichannel Retail Display, Reforming Retail.com, Posted
Nov. 7, 2017, <http://reformingretail.com/index.php/2017/11/07/june20-is-the-best-omnichannel-play-you-havent-seen/>.
(Continued)

(51) **LOC (11) Cl.** **06-04**
(52) **U.S. Cl.**
USPC **D6/672**
(58) **Field of Classification Search**
USPC D6/672, 673, 675, 675.3, 675.4, 686,
D6/691, 707, 641, 642
CPC .. A47F 3/00; A47F 3/08; A47F 5/0018; A47F
5/0043; A47F 7/00; A47B 47/0075; A47B
47/0091; A47B 45/00; A47B 2083/006;
G06O 30/0641
See application file for complete search history.

Primary Examiner — John Windmuller
Assistant Examiner — Steven J Czyz
(74) *Attorney, Agent, or Firm* — Vierra Magen Marcus
LLP

(56) **References Cited**

(57) **CLAIM**

The ornamental design for a retail display, as shown and described.

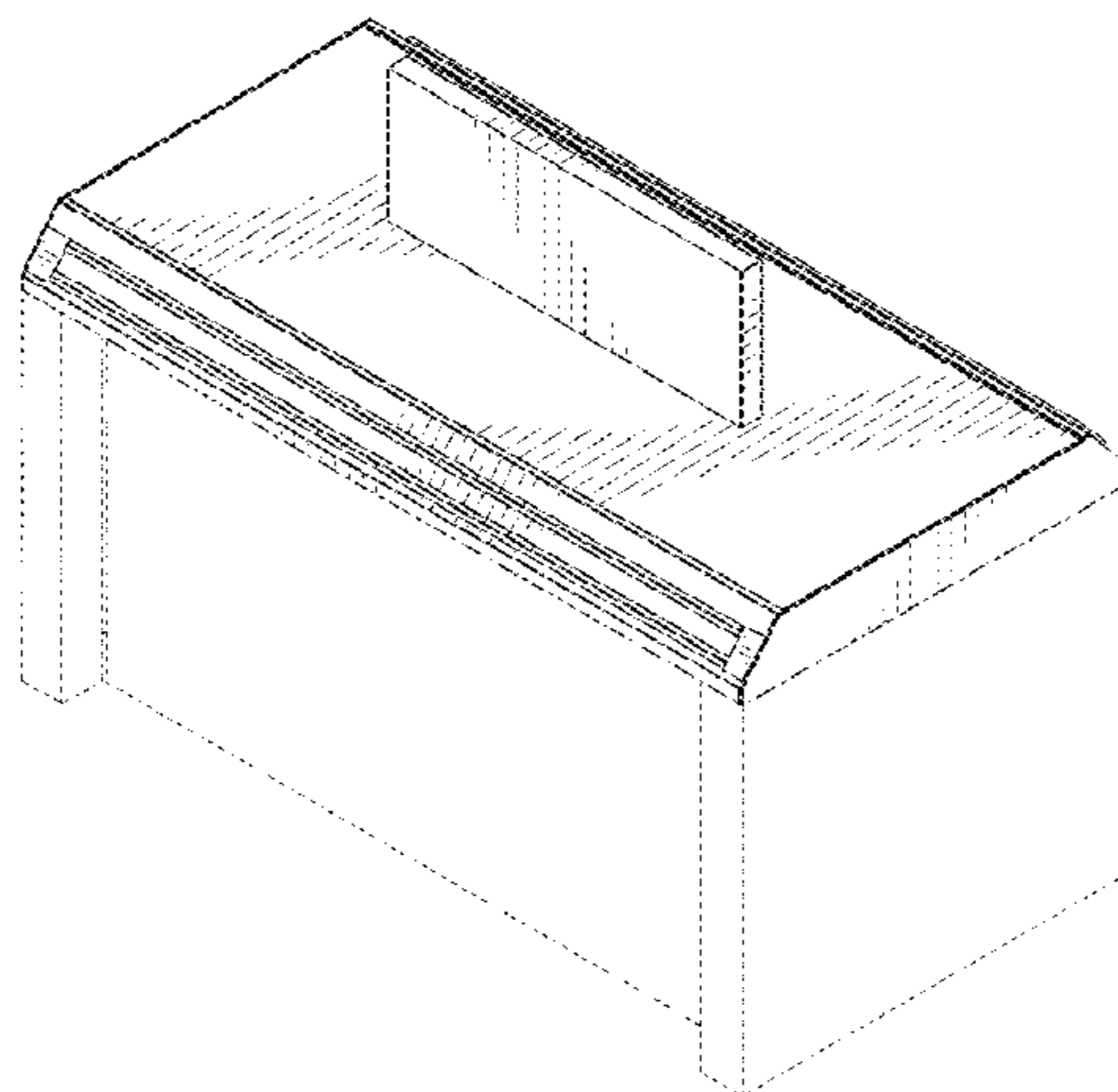
U.S. PATENT DOCUMENTS

DESCRIPTION

D451,305 S * 12/2001 Chang D6/672
6,712,433 B2 * 3/2004 Hellwig A47B 21/00
312/196
D591,083 S * 4/2009 Singler D6/672
D591,979 S * 5/2009 Singler D6/672
7,701,339 B2 4/2010 Irmischer et al.
D643,234 S * 8/2011 Daino D6/707
D645,282 S * 9/2011 Daino D6/707
8,401,915 B1 3/2013 Kim
8,752,718 B2 6/2014 Stukenberg et al.
D713,658 S * 9/2014 Tio D6/675
D727,666 S 4/2015 Wagemans et al.
D734,965 S * 7/2015 Tio D6/675
D736,020 S * 8/2015 Martell D6/702

FIG. 1 is a front perspective view of a retail display, with the rear perspective view being a mirror image thereof;
FIG. 2 is a front elevation view thereof, with the rear elevation view being a mirror image thereof;
FIG. 3 is a right side view thereof, with the left side view being a mirror image thereof; and,
FIG. 4 is a top view thereof.
The broken lines depict portions of the article that form no part of the claimed design.

1 Claim, 4 Drawing Sheets



(56)

References Cited

U.S. PATENT DOCUMENTS

D787,239 S * 5/2017 Denby D6/657
 D790,261 S * 6/2017 Rogers D6/675.1
 9,687,090 B2 * 6/2017 Ireland A47F 3/06
 D796,234 S * 9/2017 Thaler D6/675
 D807,086 S * 1/2018 Tio D6/675
 D812,946 S * 3/2018 Chang D6/707.19
 D815,864 S * 4/2018 Burton D6/675
 2009/0109130 A1 4/2009 Murphy et al.
 2011/0187531 A1 8/2011 Oehl et al.
 2012/0005222 A1 1/2012 Bhagwan et al.
 2012/0232937 A1 9/2012 Calman et al.
 2013/0117153 A1 5/2013 Shen
 2014/0310056 A1 10/2014 Alapati et al.
 2015/0371321 A1* 12/2015 Chapuis G06Q 30/0641
 705/27.1

FOREIGN PATENT DOCUMENTS

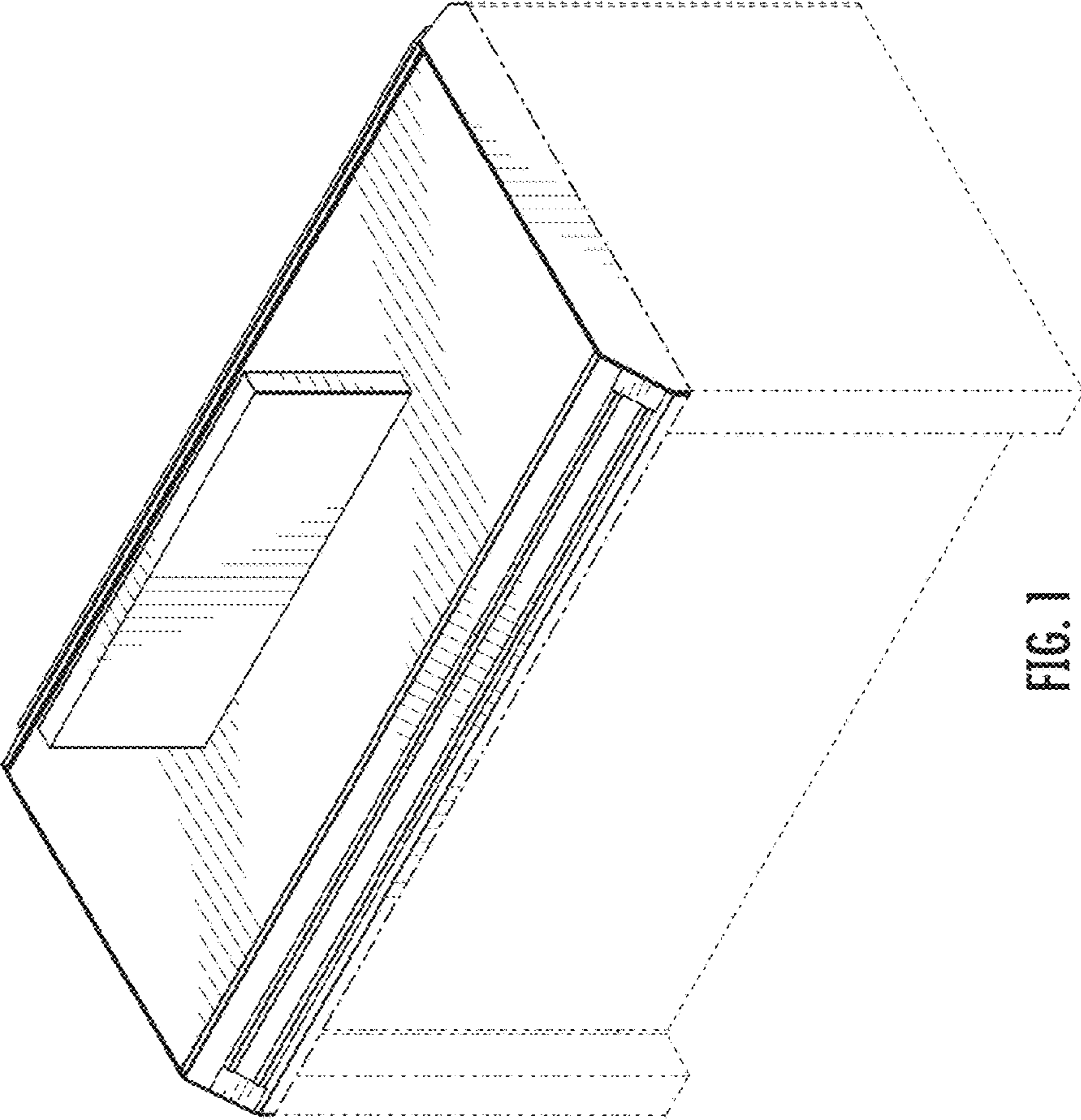
CN 204599980 U 9/2015
 CN 304176357 S 6/2017
 FR 992836-004 8/1999
 JP 2005204815 A 8/2005
 KR 10-20130023520 A 3/2013

RO 016582-0001 3/2006
 RU 59706 7/2006
 WO D082444-002 4/2014

OTHER PUBLICATIONS

Design U.S. Appl. No. 29/641,209, filed Mar. 20, 2018.
 Design U.S. Appl. No. 29/639,665, filed Mar. 7, 2018.
 Design U.S. Appl. No. 29/641,252, filed Mar. 20, 2018.
 Design U.S. Appl. No. 29/641,234, filed Mar. 20, 2018.
 Design U.S. Appl. No. 29/640,276, filed Mar. 13, 2018.
 Design U.S. Appl. No. 29/639,666, filed Mar. 7, 2018.
 Versa Products, Inc., "Versa Center", <https://www.versatables.com/education/versa-center/>, retrieved May 30, 2018.
 Gartner, "Sliding Monitors", <https://web.archive.org/web/20130607163354/http://www.michaelgartner.com/>, dated by web.archive.org at Jun. 7, 2013, pp. 1-5) Accessed Nov. 21, 2017 (Year: 2013).
 June20, Inc., Test Display at Sam's Club, May 2016, Arkansas, US.
 June20, Inc., Test Display at Staples, Dec. 2015, Canada.
 Mike Quinn, LinkedIn.com page, image of post "LM76 Whipser Slide Technology" WSP2 retrieved from Feb. 2, 2018.
 Design U.S. Appl. No. 29/647,762, filed May 15, 2018.
 Design U.S. Appl. No. 29/647,768, filed May 15, 2018.

* cited by examiner



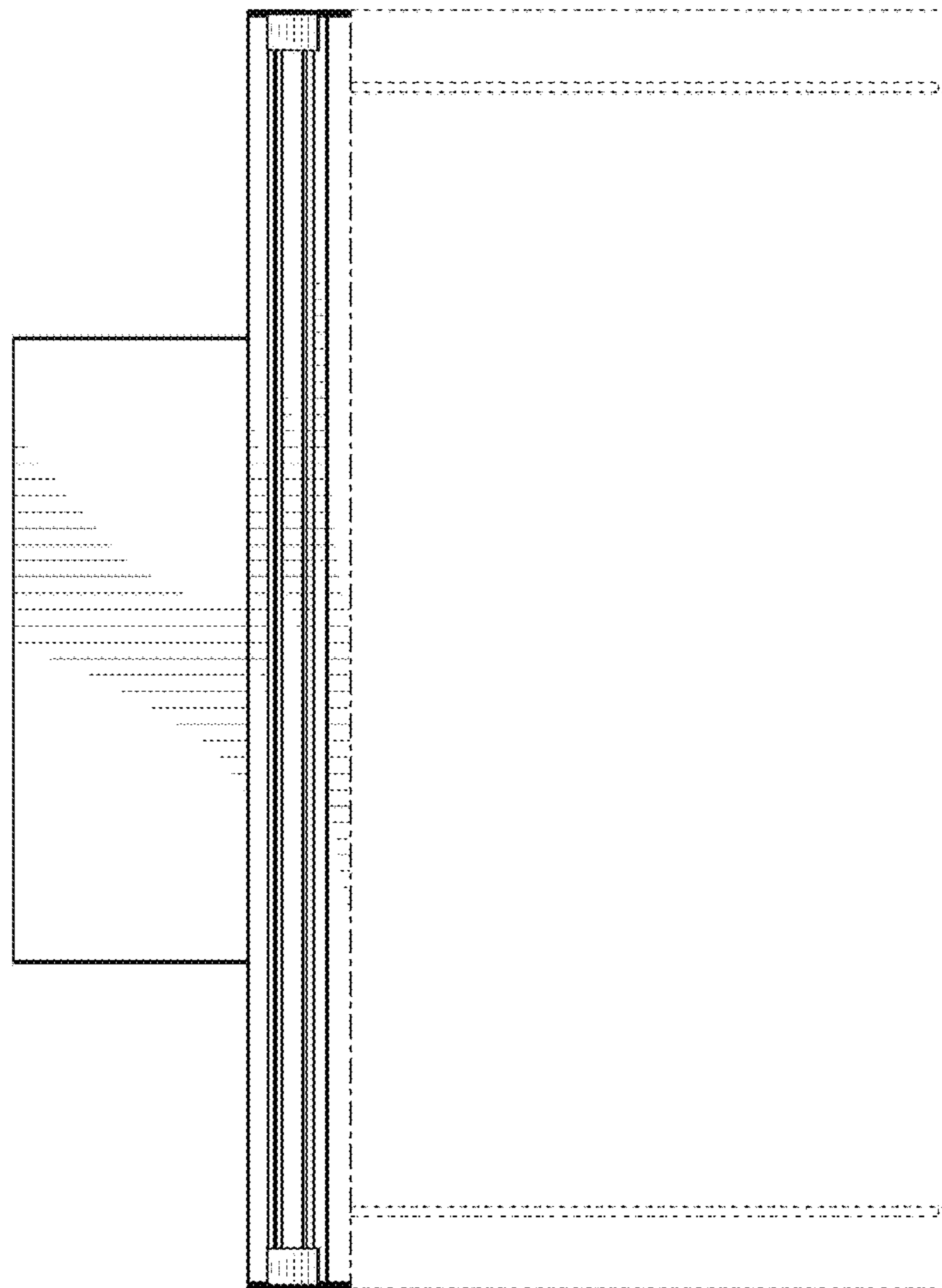


FIG. 2

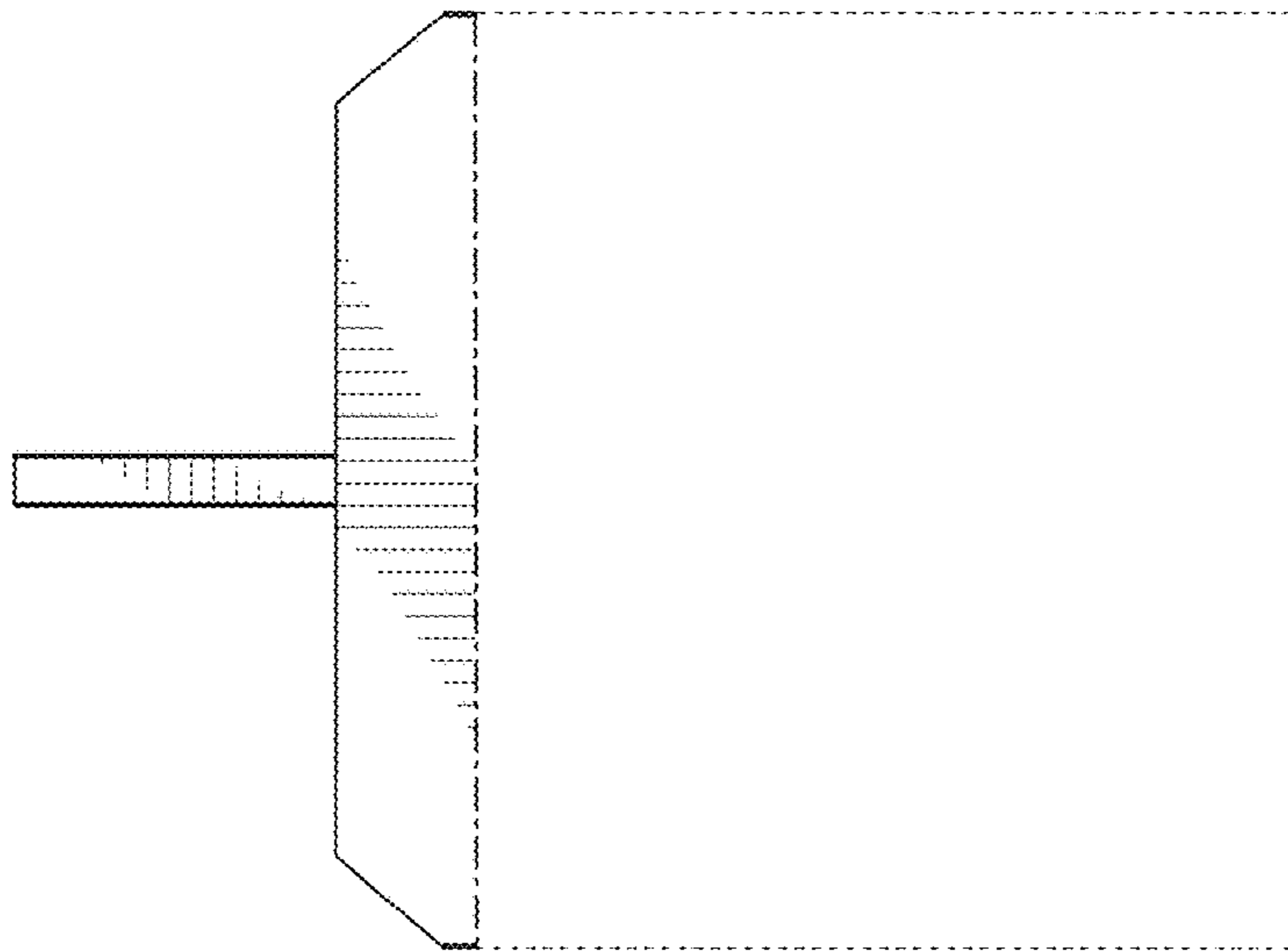


FIG. 3

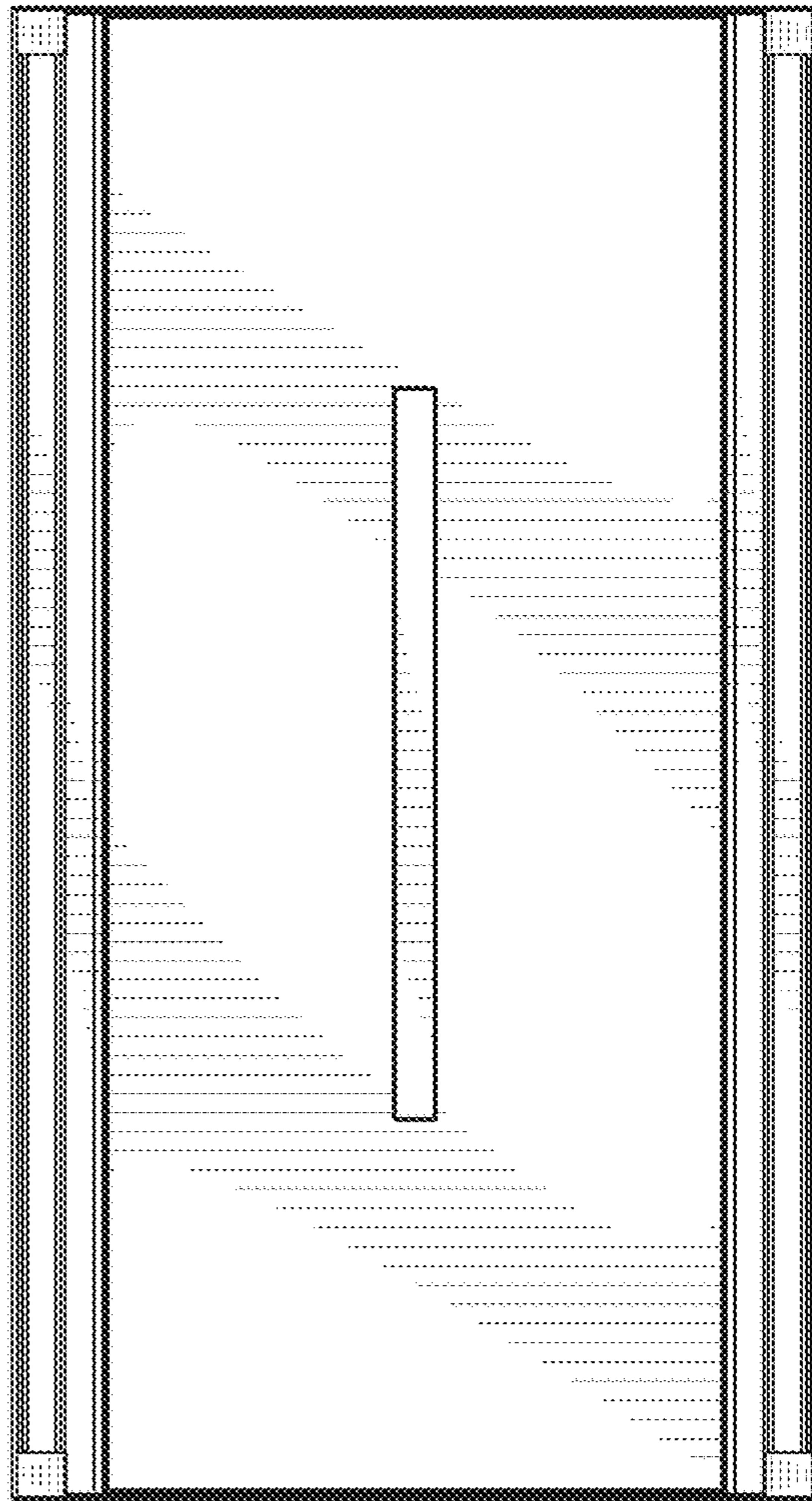


FIG. 4