



US00D834350S

(12) **United States Design Patent**
Zou

(10) **Patent No.:** **US D834,350 S**

(45) **Date of Patent:** **** Nov. 27, 2018**

(54) **NECK PILLOW**

(71) Applicant: **Xia Zou**, Guangdong (CN)

(72) Inventor: **Xia Zou**, Guangdong (CN)

(**) Term: **15 Years**

(21) Appl. No.: **29/627,206**

(22) Filed: **Nov. 23, 2017**

(30) **Foreign Application Priority Data**

Oct. 30, 2017 (CN) 2017 3 0524990

(51) **LOC (11) Cl.** **06-09**

(52) **U.S. Cl.**
USPC **D6/601**

(58) **Field of Classification Search**
USPC D6/595, 596, 601, 716.5; 5/632, 633,
5/636, 648, 652, 655.9, 656, 948-953
CPC A47G 9/00; A47G 9/10; A47G 9/1045;
A47G 9/1054; A47G 9/1063; A47G
9/1072; A47G 9/1081; A47G 9/109;
A47G 1009/1027; A47G 2009/1018;
A47C 27/001; A47C 7/021; A47C 7/022;
A47C 7/18

See application file for complete search history.

(56) **References Cited**

U.S. PATENT DOCUMENTS

D762,400 S * 8/2016 Wong A47C 7/383
D6/601

D769,029 S * 10/2016 Okwumabua D6/601
D778,086 S * 2/2017 O'Meara D6/601
D790,880 S * 7/2017 Wong D6/601
D821,115 S * 6/2018 Chen D6/601
D823,026 S * 7/2018 Shi D6/601
D823,027 S * 7/2018 Zou D6/601
2015/0257555 A1 * 9/2015 Wong A47C 7/383
5/636

* cited by examiner

Primary Examiner — R. Johnson

(57) **CLAIM**

The ornamental design for a neck pillow, as shown.

DESCRIPTION

FIG. 1 is a front elevational view of a neck pillow showing my new design;

FIG. 2 is a rear elevational view thereof;

FIG. 3 is a left side view thereof;

FIG. 4 is a right side view thereof;

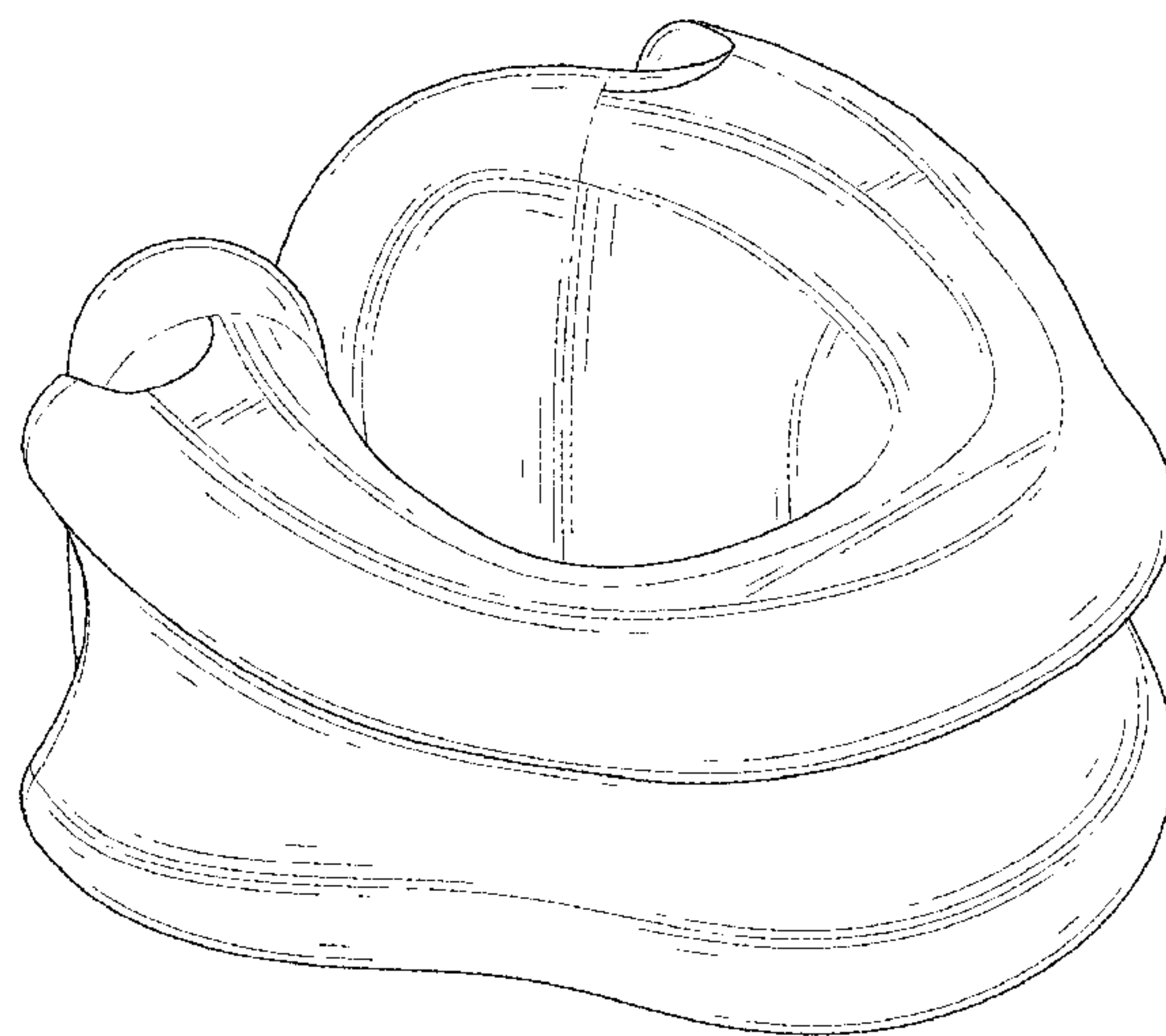
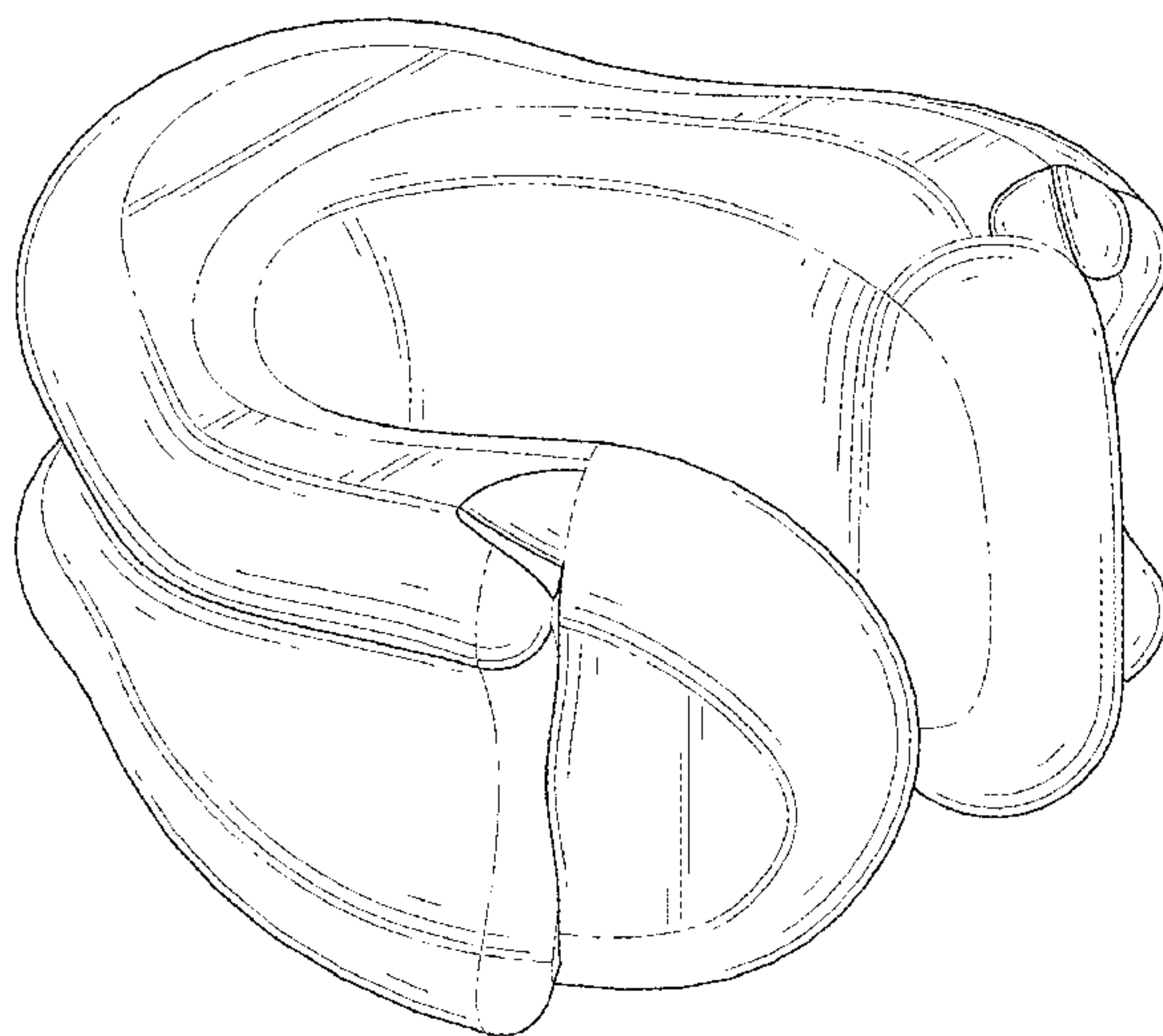
FIG. 5 is a top plan view thereof;

FIG. 6 is a bottom plan view thereof;

FIG. 7 is a perspective view thereof; and,

FIG. 8 is another perspective view thereof.

1 Claim, 6 Drawing Sheets



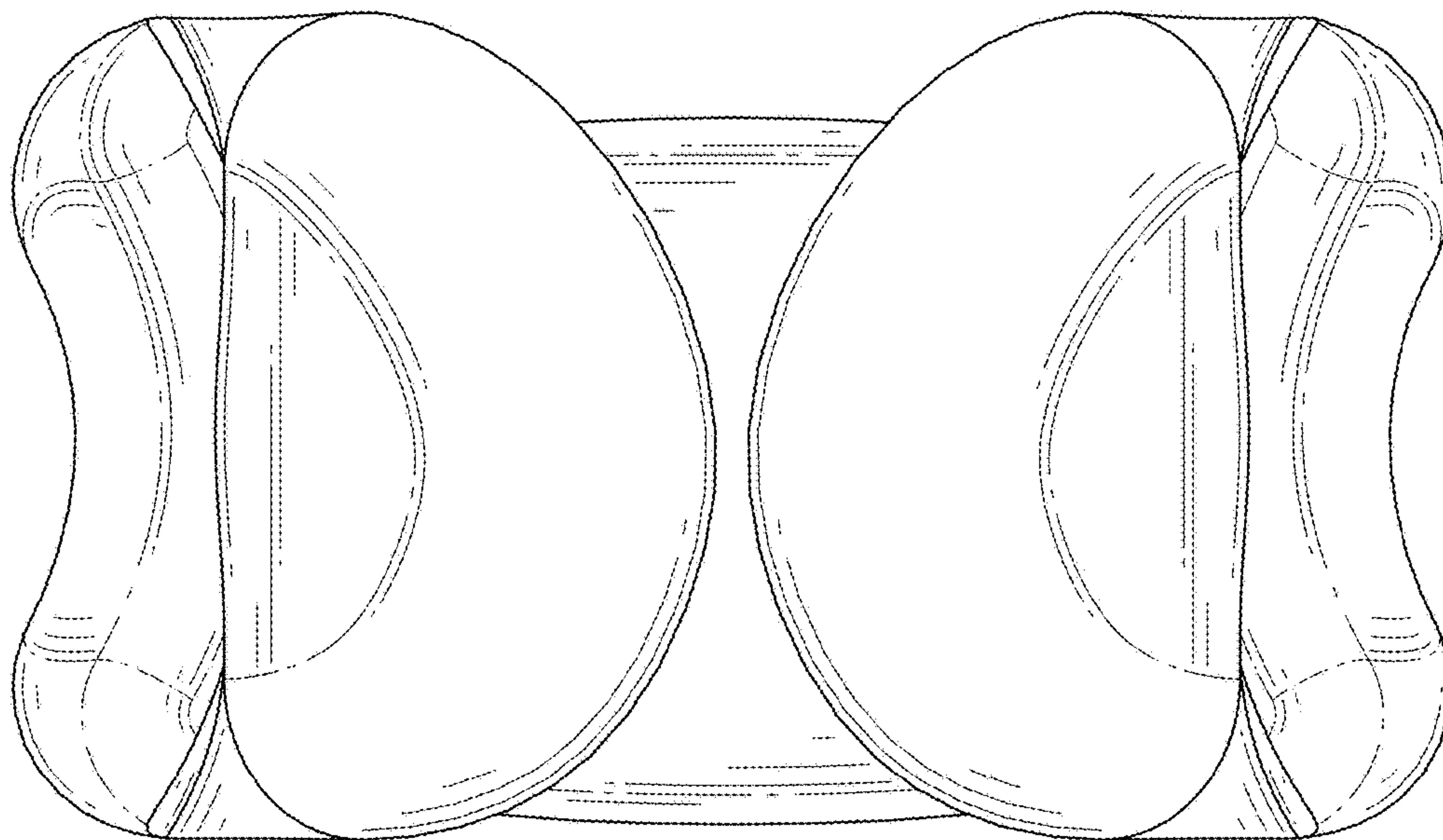


FIG. 1

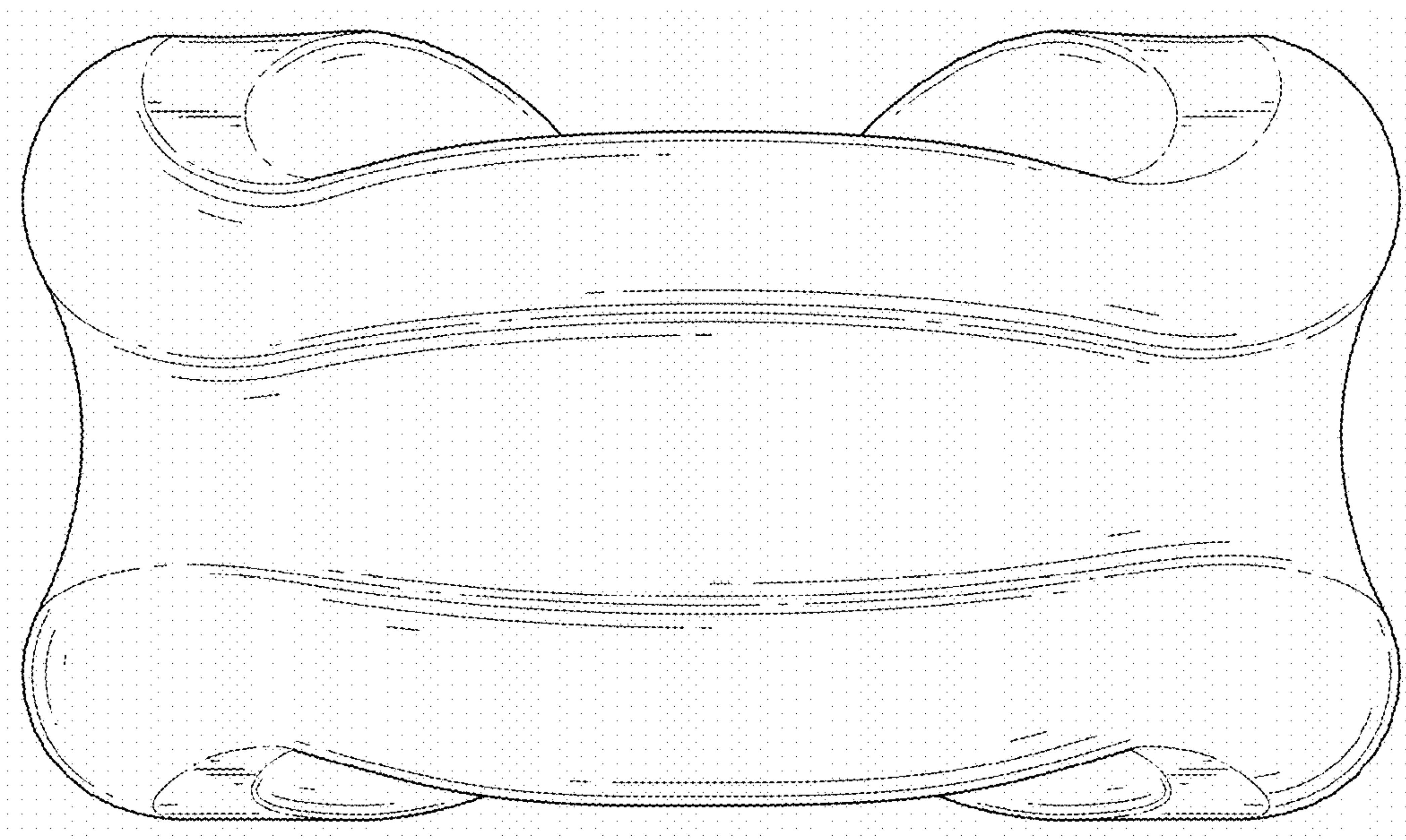


FIG. 2

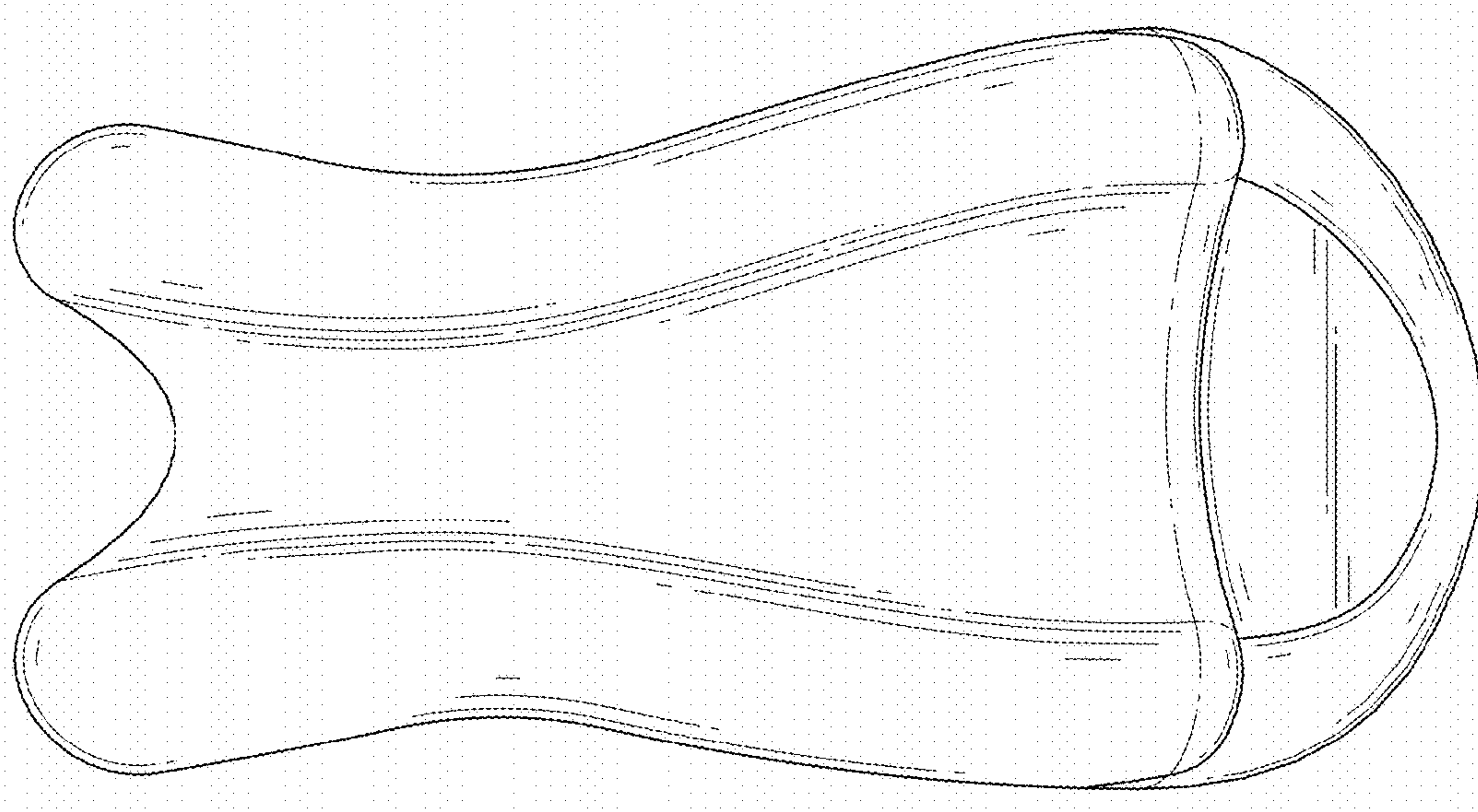


FIG. 3

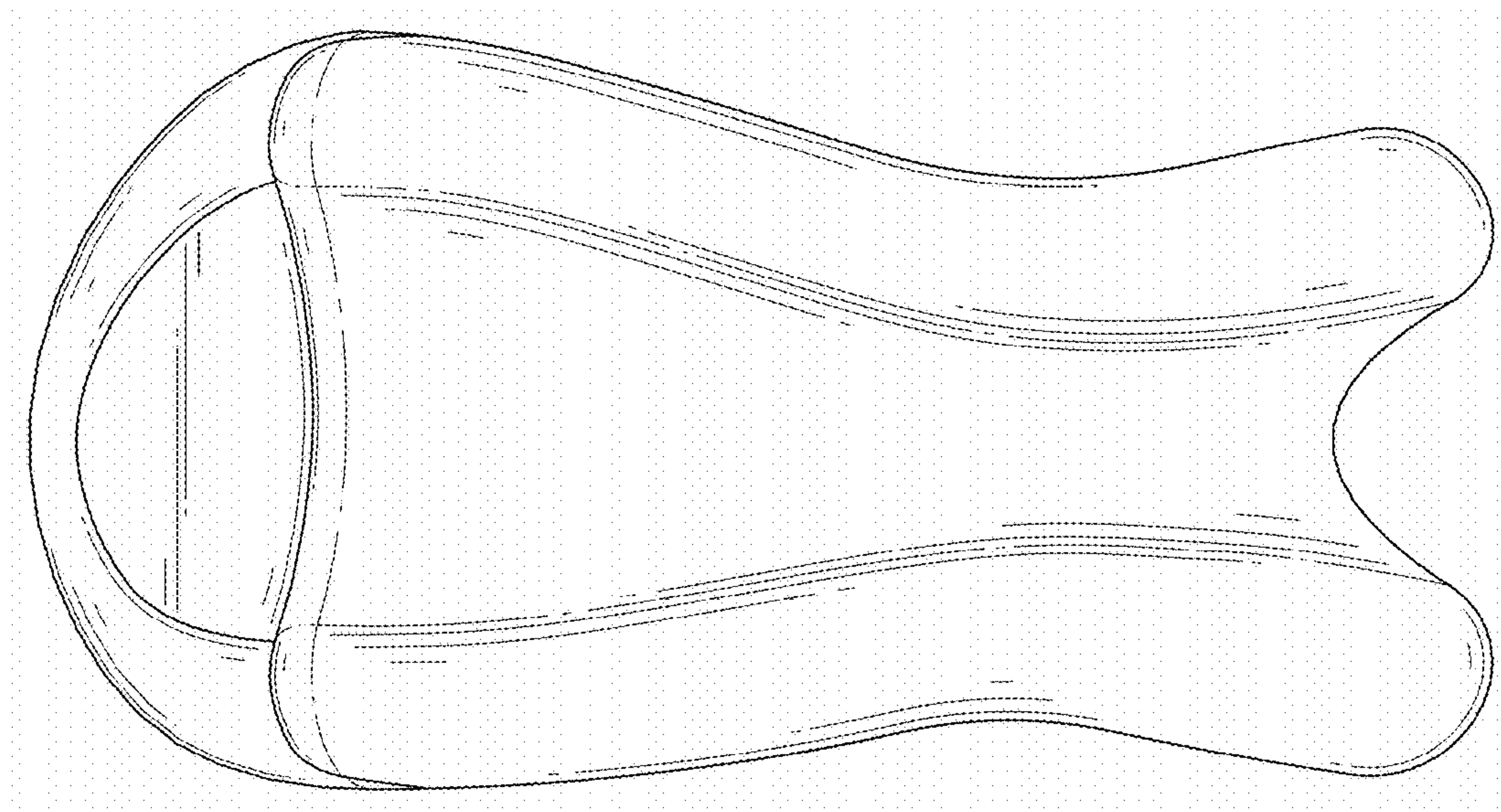


FIG. 4

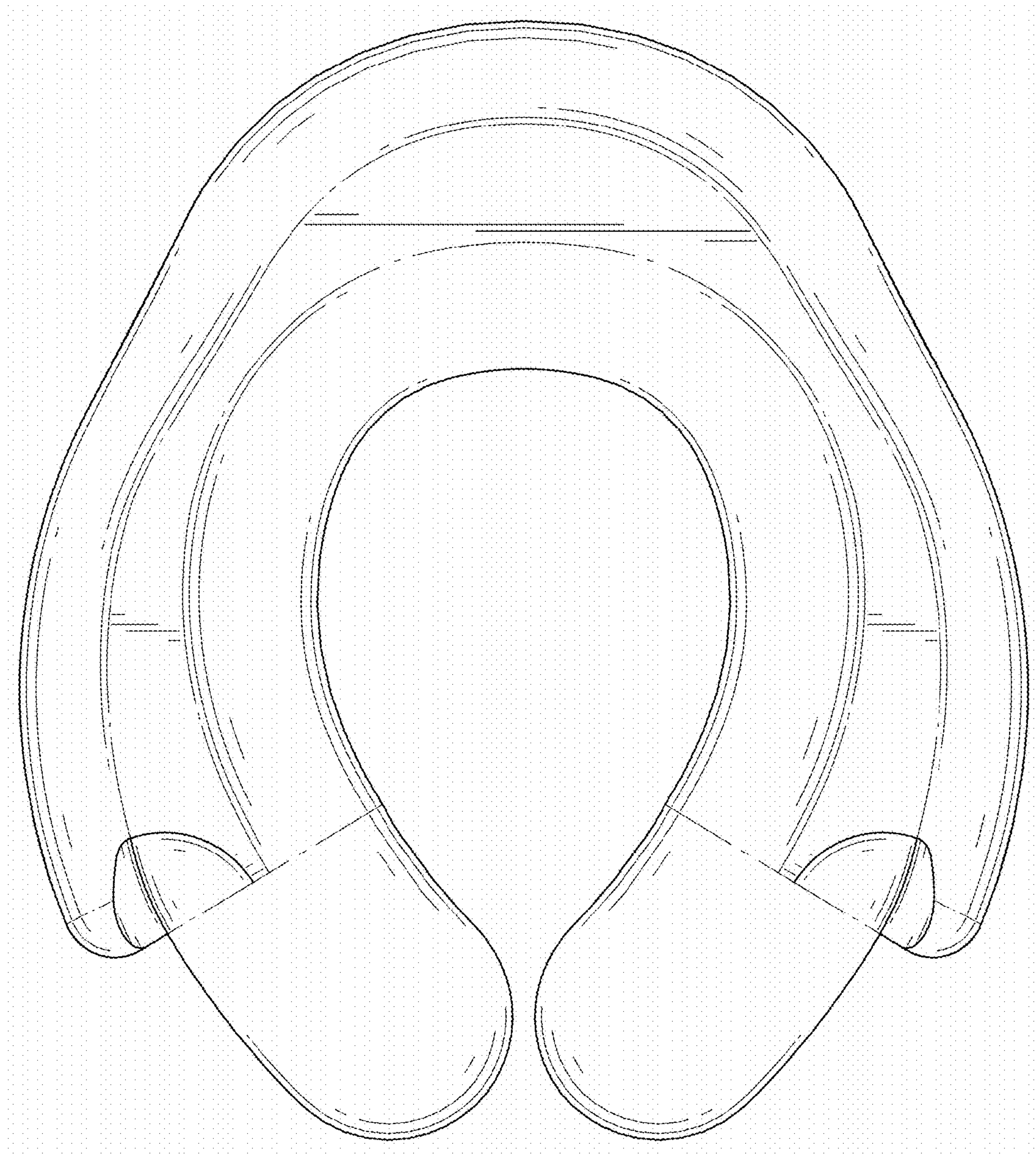


FIG. 5

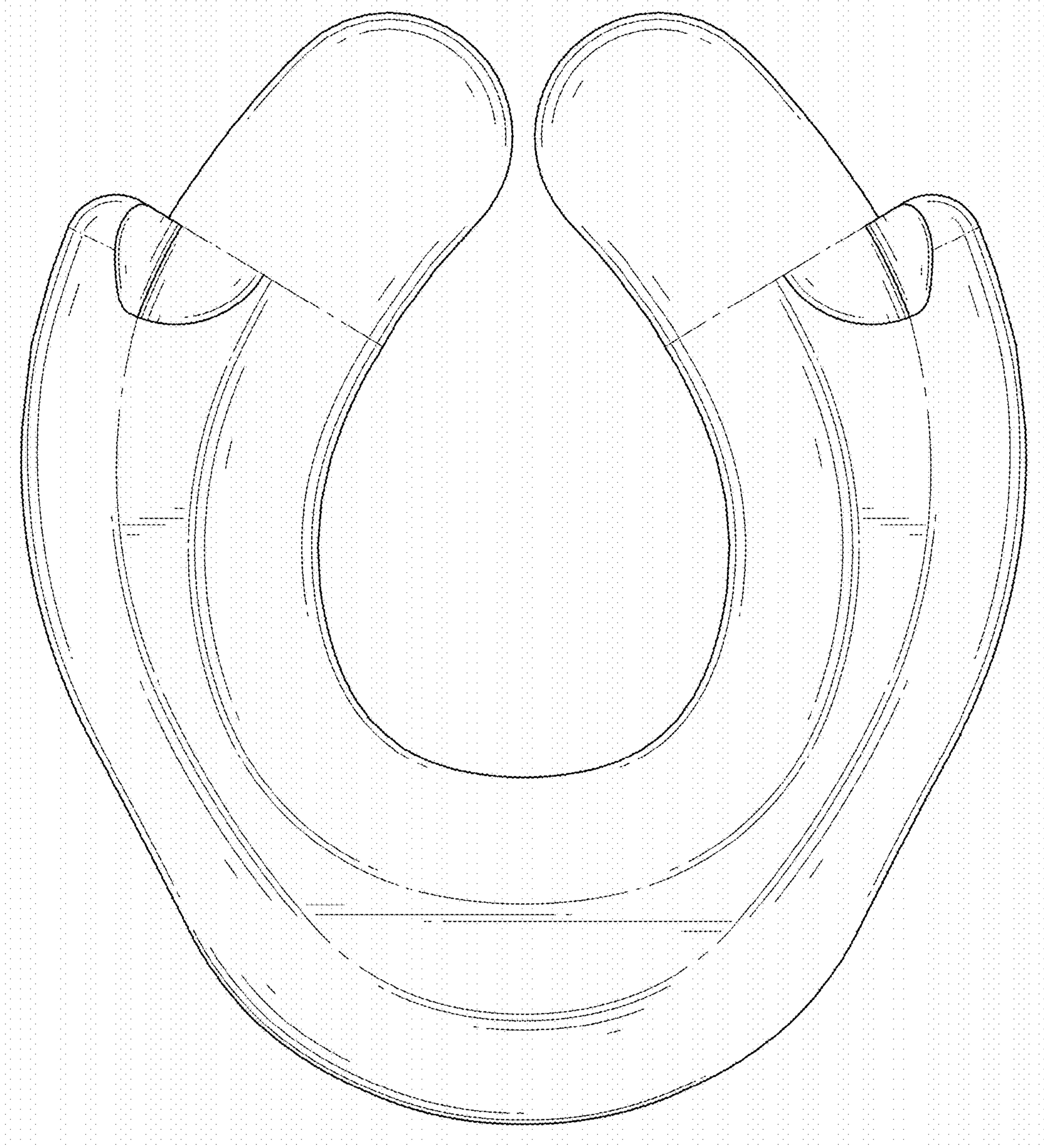


FIG. 6

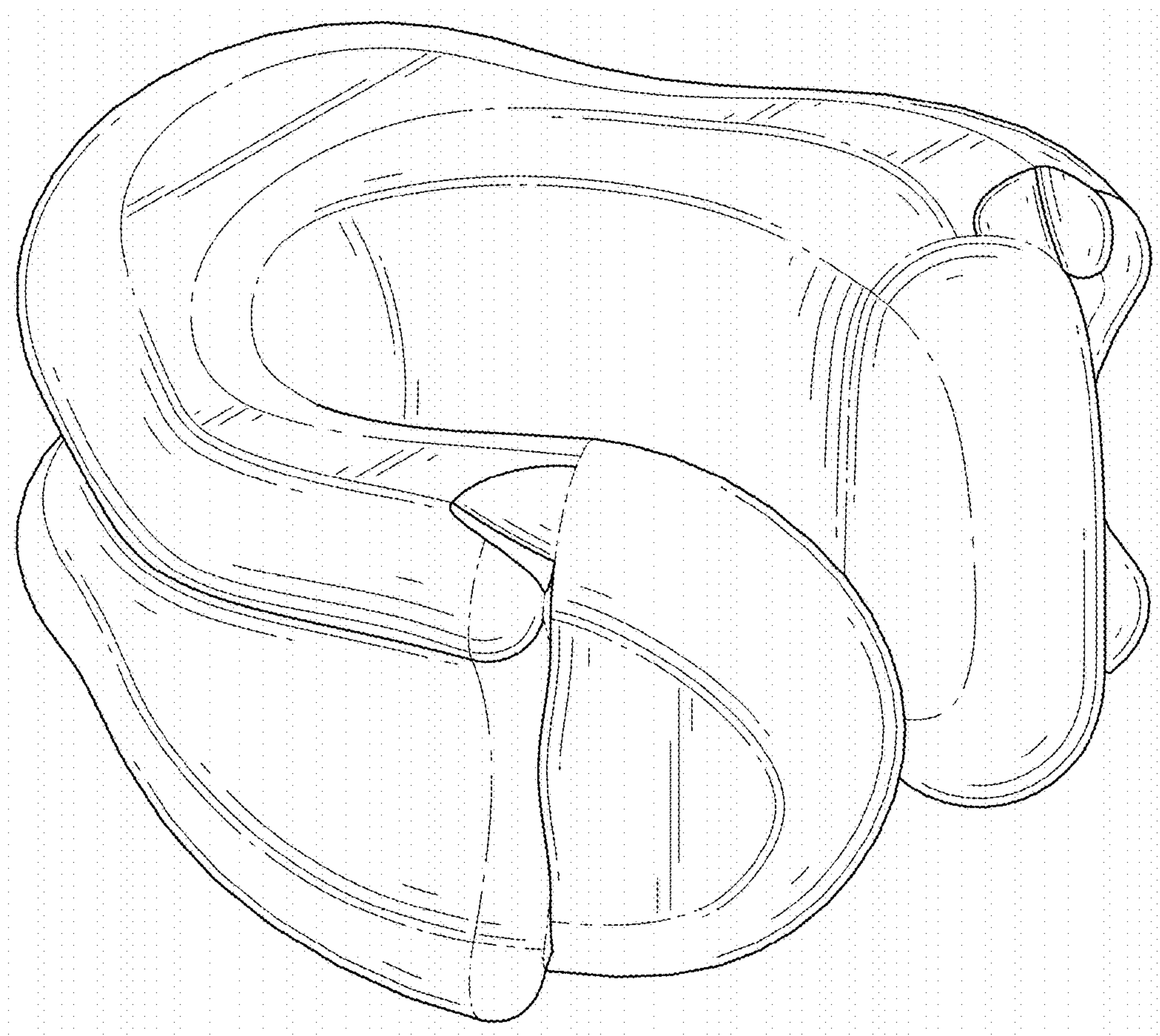


FIG. 7

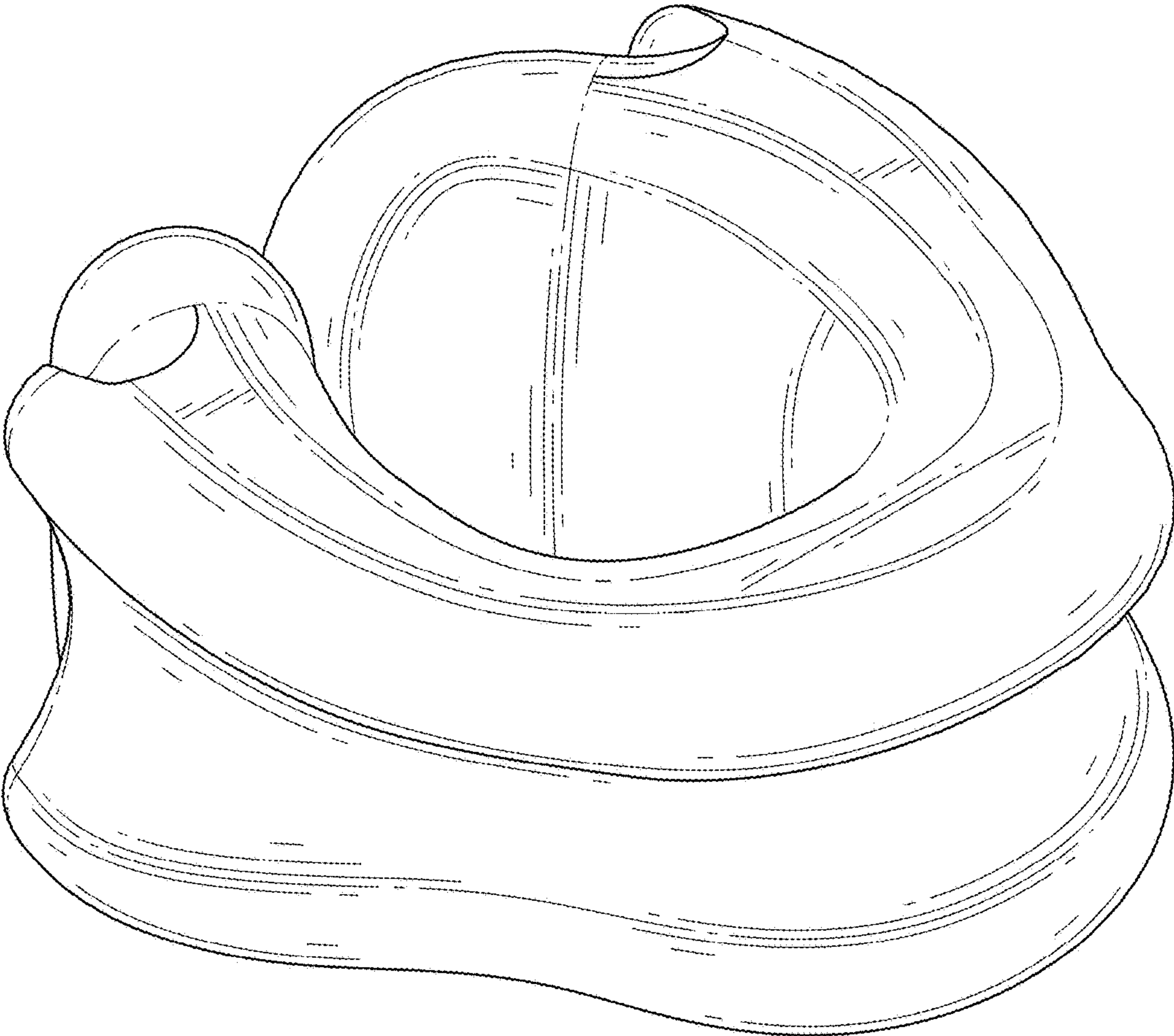


FIG. 8