



US00D834347S

(12) **United States Design Patent** (10) **Patent No.:** **US D834,347 S**
Logan, Jr. et al. (45) **Date of Patent:** **** Nov. 27, 2018**

- (54) **MULTI-ROLL PET WASTE BAG ORGANIZER AND DISPENSER**
- (71) Applicant: **Merriview Hill LLC**, New York, NY (US)
- (72) Inventors: **Edward Francis Logan, Jr.**, New York, NY (US); **Robert John Tiedemann**, Stamford, CT (US); **George Wargo**, Norwalk, CT (US)
- (**) Term: **15 Years**
- (21) Appl. No.: **29/615,087**
- (22) Filed: **Aug. 25, 2017**
- (51) **LOC (11) Cl.** **20-02**
- (52) **U.S. Cl.**
USPC **D6/518**
- (58) **Field of Classification Search**
USPC D6/515-523; 206/225, 233, 389, 391, 206/812, 824; 248/309.1, 309.2, 905; 211/13.1, 45; 242/925, 570, 590; 222/173, 180; 221/26, 33, 282, 283, 61
CPC E01H 2001/128; E01H 1/1206; E01H 2001/1286; E01H 2001/124; A01K 27/008; B65D 43/16; B65D 83/0805; B65D 85/62; B65D 25/22; B65F 1/0006; B65F 2240/136
See application file for complete search history.

- D353,991 S * 1/1995 Anderson D8/373
- 5,386,910 A * 2/1995 Liss A47G 29/00 206/554
- D361,462 S * 8/1995 Newham D6/567
- D365,233 S * 12/1995 Huculak D6/513
- D365,566 S * 12/1995 Cantrell D14/253
- D386,337 S * 11/1997 Zissu D6/512
- D402,839 S * 12/1998 Bova D6/540
- D407,252 S * 3/1999 Hampshire D6/540
- D419,350 S * 1/2000 Baron D6/553
- D425,353 S * 5/2000 Foy D24/134
- D426,041 S * 5/2000 Boghossian D34/6
- D507,871 S * 8/2005 DiMarchi D3/215
- D532,639 S * 11/2006 Snell D6/567
- D540,082 S * 4/2007 Mandel D6/515

(Continued)

OTHER PUBLICATIONS

Merriviewhill.com, poopchute—doggie bag dispenser, Mar. 14, 2018, <https://www.merriviewhill.com/products/>.*

Primary Examiner — David Muller
Assistant Examiner — Nathan Johnston
(74) *Attorney, Agent, or Firm* — Chan Hubbard PLLC; Keala Chan

(57) **CLAIM**

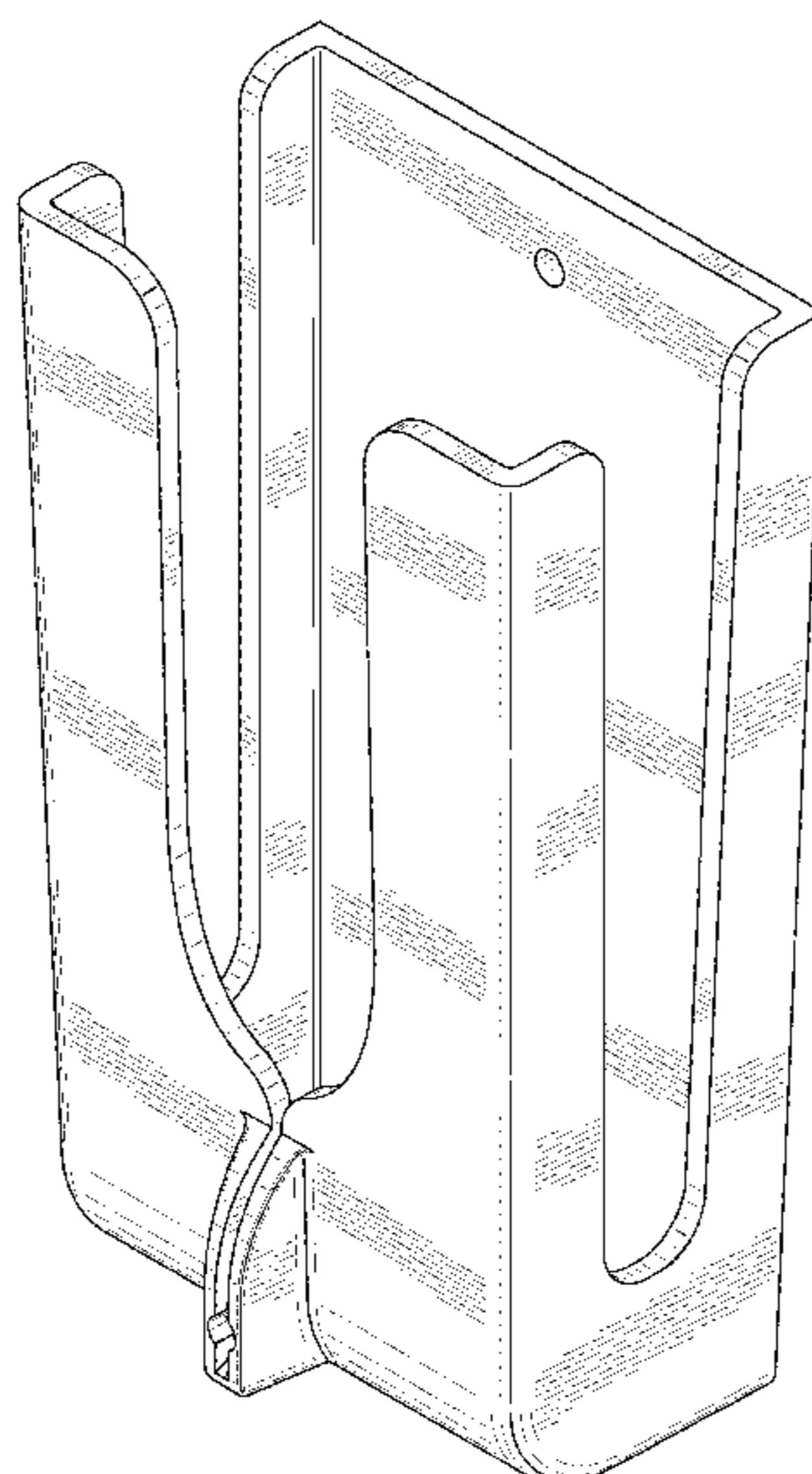
The ornamental design for a multi-roll pet waste bag organizer and dispenser, as shown and described.

DESCRIPTION

FIG. 1 is a front right perspective view a multi-roll waste bag organizer and dispenser showing my new design; FIG. 2 is a front left perspective view thereof; FIG. 3 is a front elevation view thereof; FIG. 4 is a rear elevation view thereof; FIG. 5 is a right side elevation view thereof, the left side elevation view being a mirror image; FIG. 6 is a top plan view thereof; and, FIG. 7 is a bottom plan view thereof.

1 Claim, 6 Drawing Sheets

- (56) **References Cited**
U.S. PATENT DOCUMENTS
- D250,241 S * 11/1978 Braginetz D19/90
- D274,076 S * 5/1984 Miller D21/694
- D280,466 S * 9/1985 Seltzer D12/422
- D310,760 S * 9/1990 Murphy D6/515
- D321,446 S * 11/1991 Liptak D19/90
- D329,344 S * 9/1992 Carillo D6/515
- D335,411 S * 5/1993 Martens D6/513
- D338,864 S * 8/1993 Morris D12/191



(56)

References Cited

U.S. PATENT DOCUMENTS

D551,008 S * 9/2007 Hidalgo D6/567
D643,659 S * 8/2011 Choi D6/553
D690,958 S * 10/2013 Orton D6/515
9,926,128 B1 * 3/2018 Logan B65D 83/0805

* cited by examiner

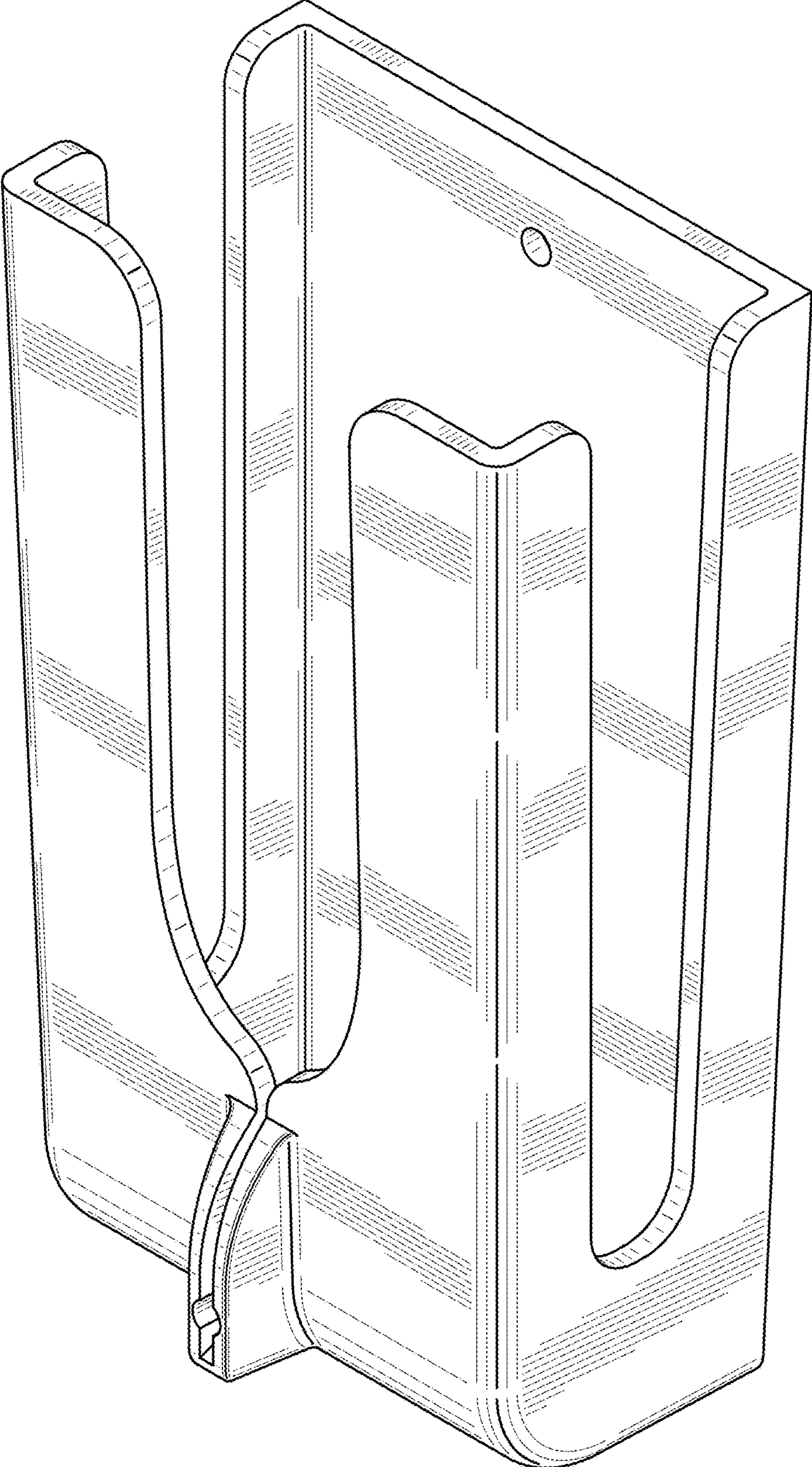


FIG. 1

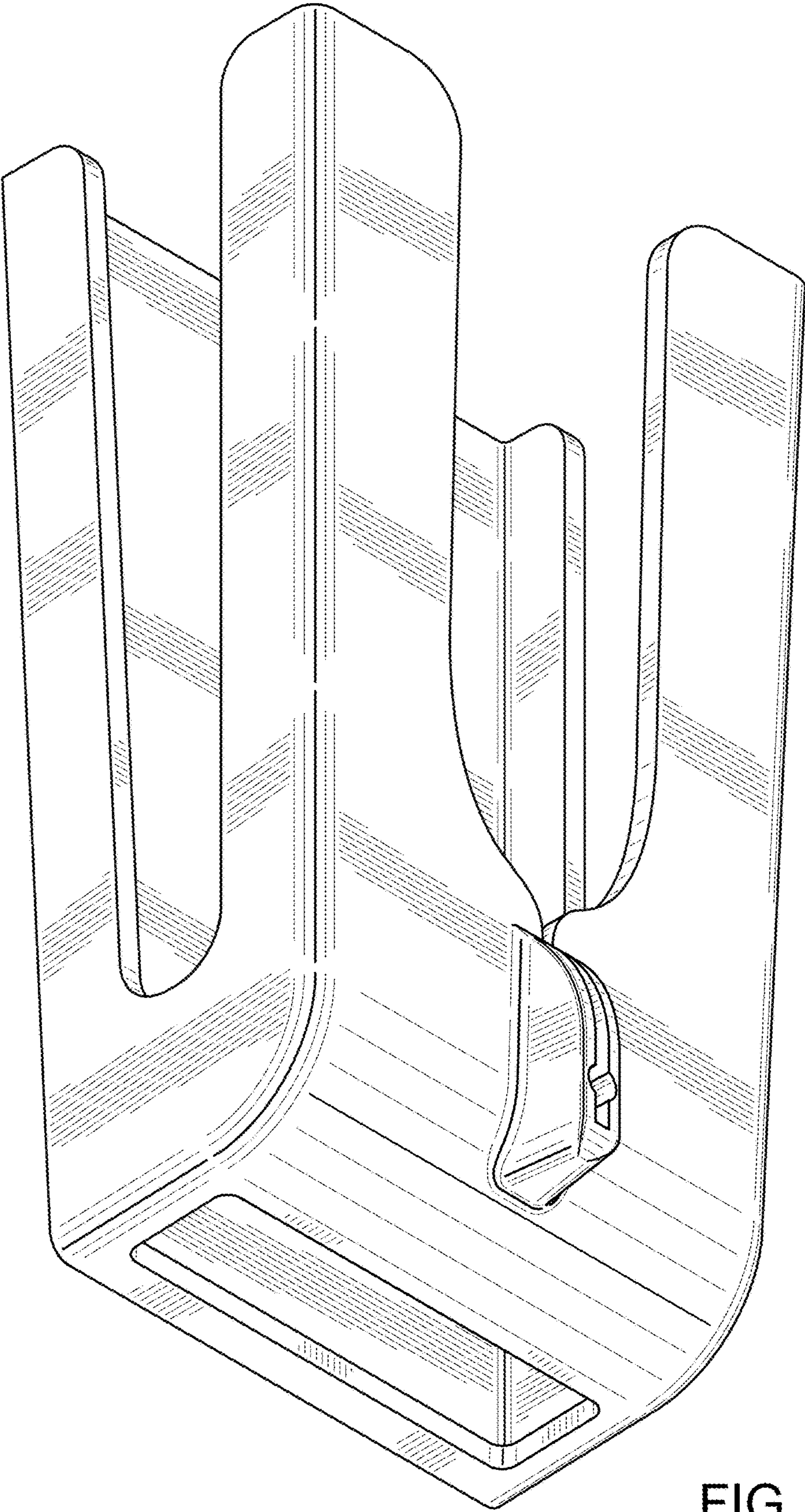


FIG. 2

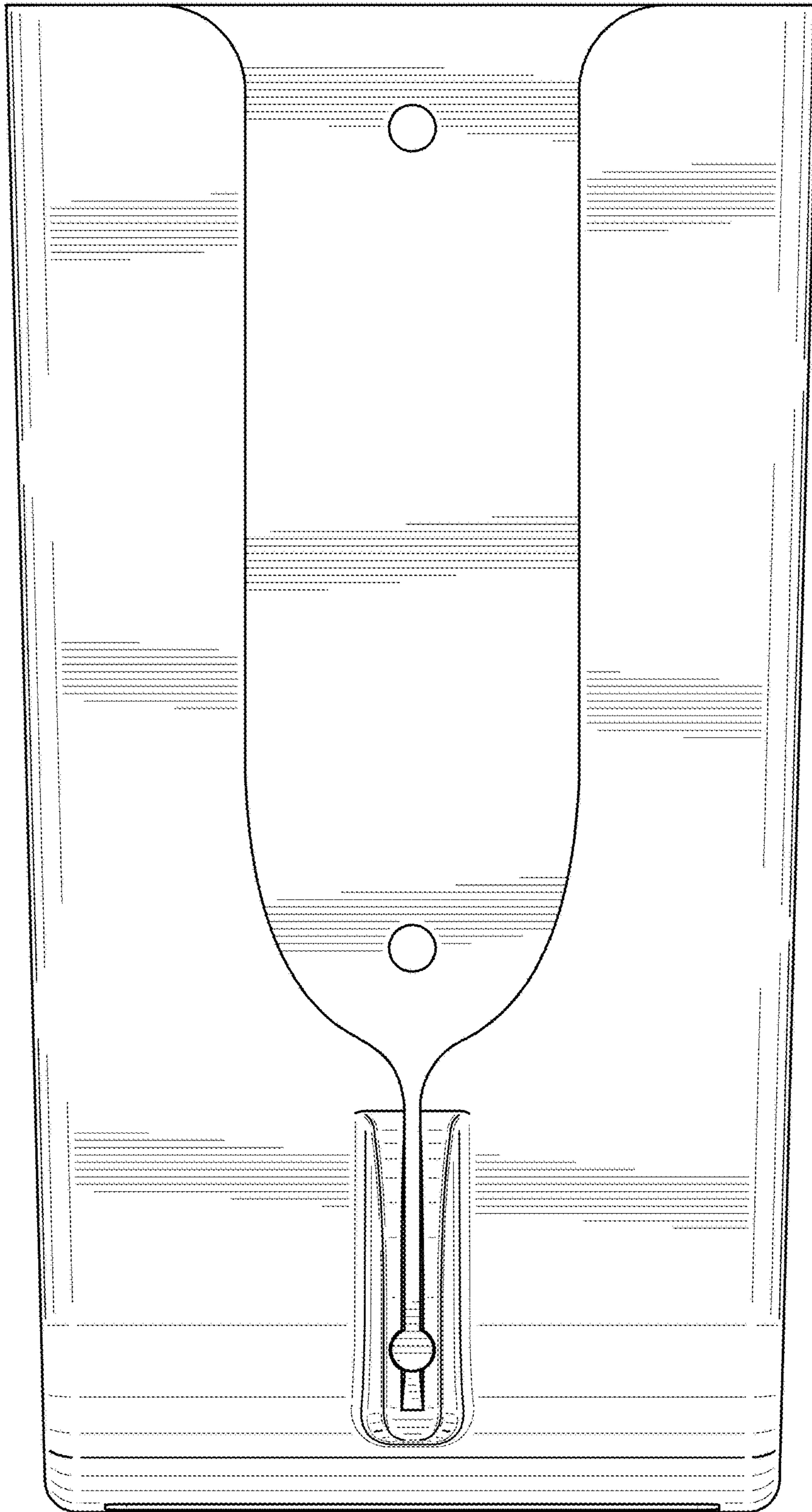


FIG. 3

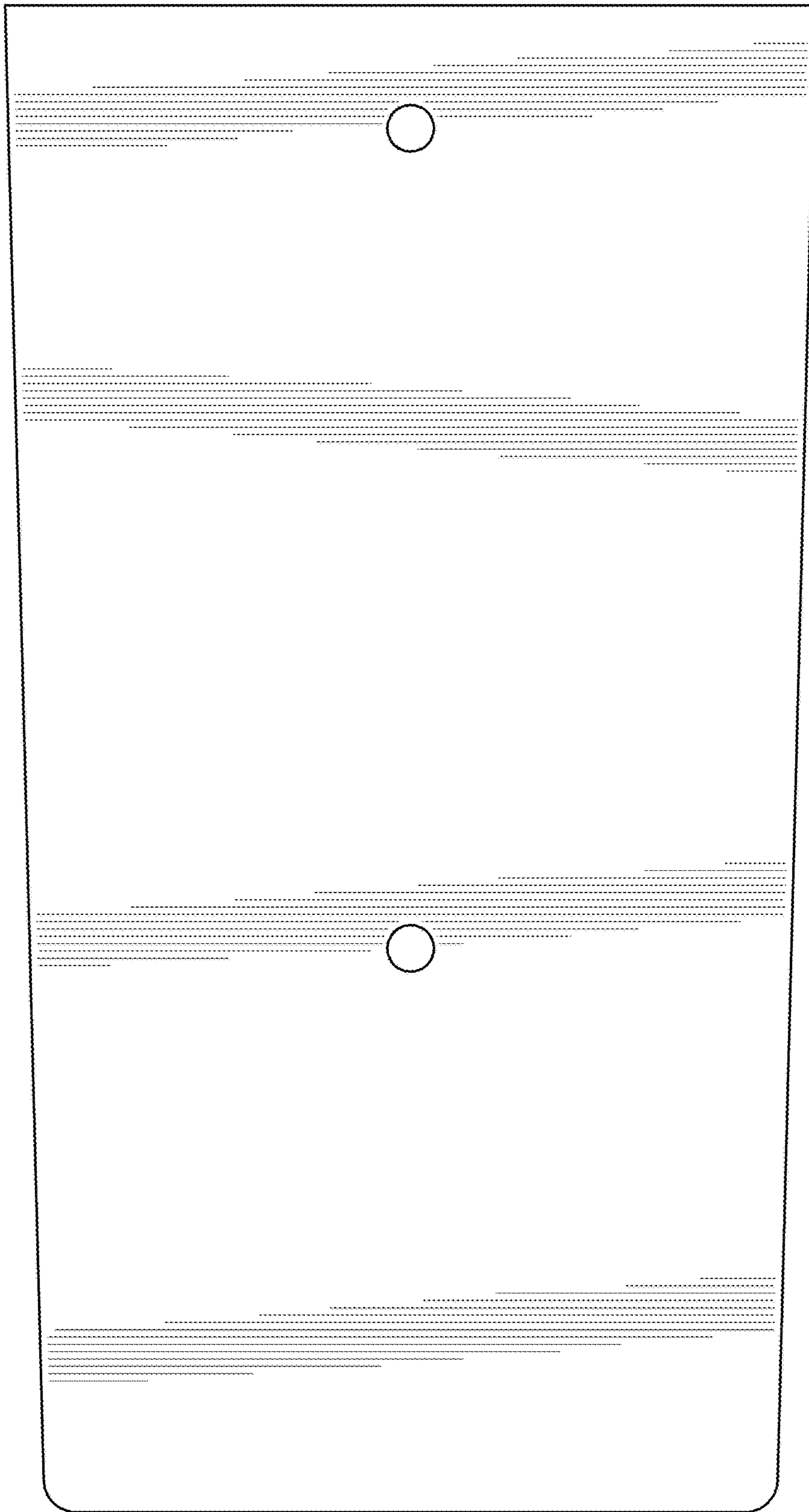


FIG. 4

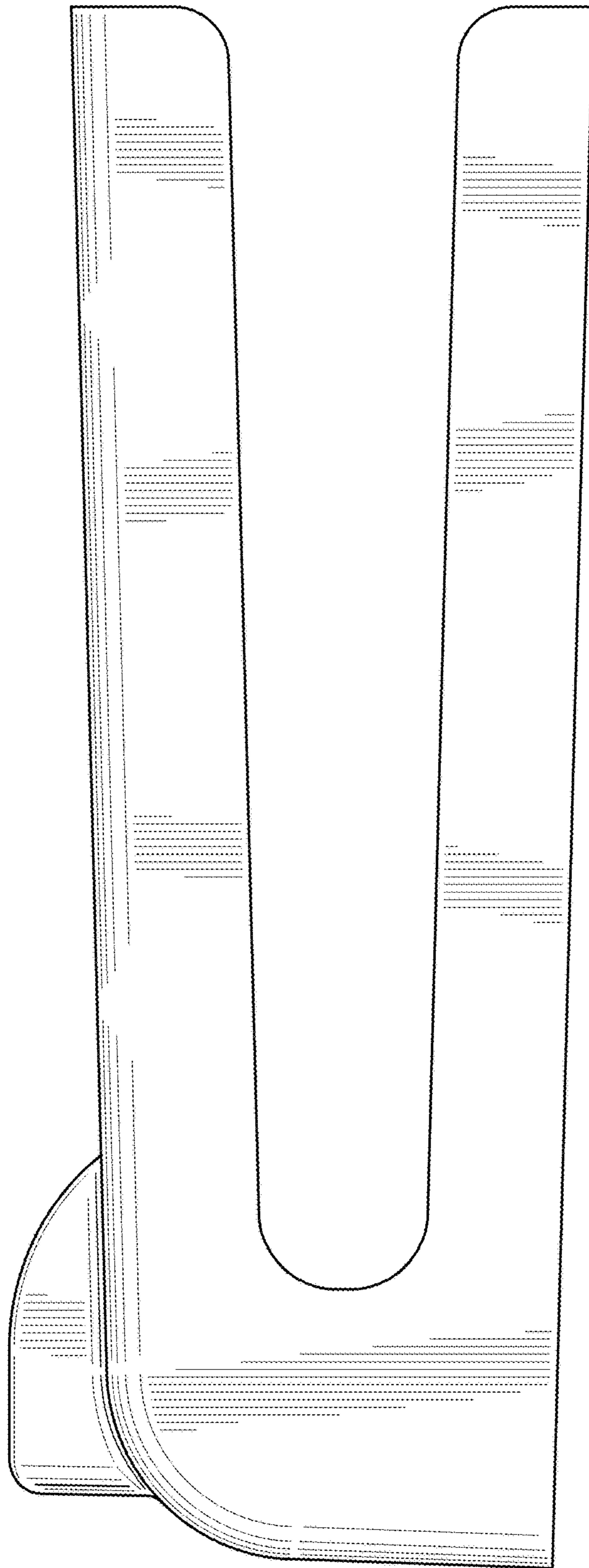


FIG. 5

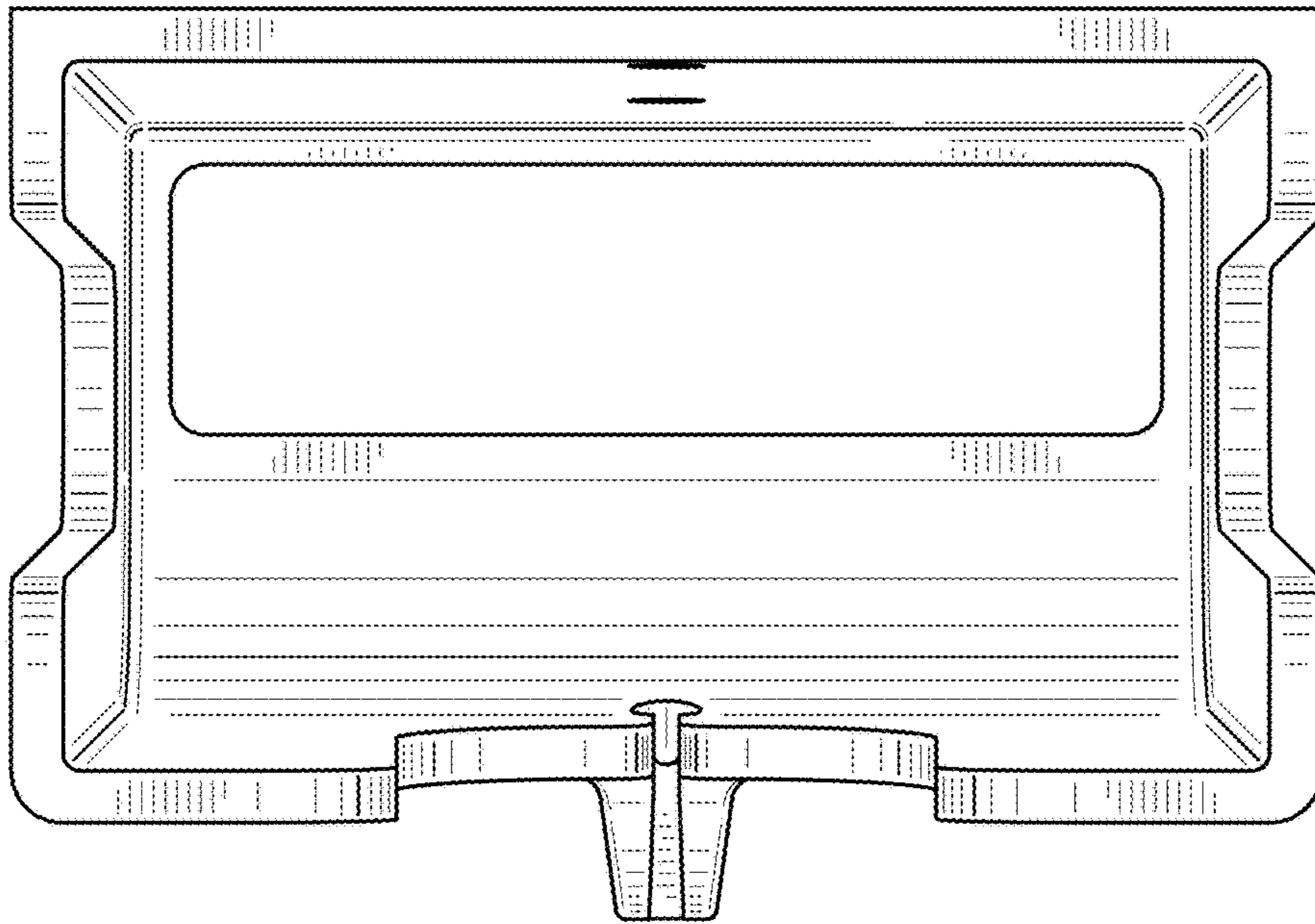


FIG. 6

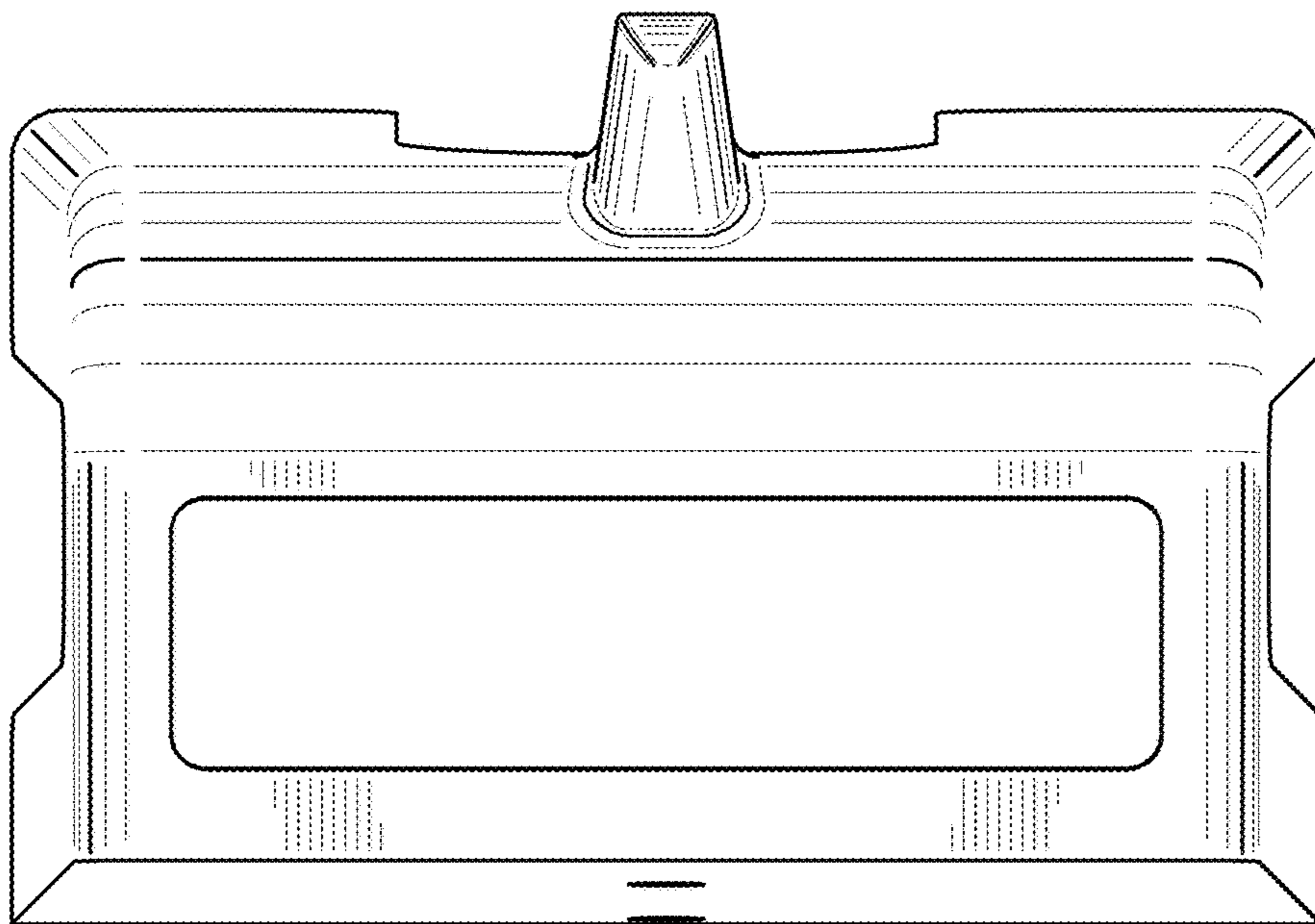


FIG. 7