



US00D834346S

(12) **United States Design Patent** (10) **Patent No.:** **US D834,346 S**
Robertson (45) **Date of Patent:** **** Nov. 27, 2018**

- (54) **RECORD STAND**
- (71) Applicant: **BAD HAIR LLC**, Chicago, IL (US)
- (72) Inventor: **Benjamin Robertson**, Chicago, IL (US)
- (73) Assignee: **BAD HAIR LLC**, Chicago, IL (US)
- (**) Term: **15 Years**
- (21) Appl. No.: **29/641,035**
- (22) Filed: **Mar. 19, 2018**

5,301,800	A *	4/1994	Kenney	A47F 7/147
					206/449
5,351,882	A *	10/1994	Krautsack	B65D 5/4208
					206/45.26
D358,513	S *	5/1995	Hansen	D6/708
5,542,551	A *	8/1996	Smith	A47F 7/146
					211/132.1
D388,263	S *	12/1997	Amerault	D19/88
D392,474	S *	3/1998	Frasketi	D19/91
D404,220	S *	1/1999	Stravitz	D6/407
D423,796	S *	5/2000	Kwan	D6/300
D445,287	S *	7/2001	Kujala	D6/629
D464,215	S *	10/2002	Patchen	D6/682.2
D483,598	S *	12/2003	Smith	D6/407
D485,699	S *	1/2004	Mueller	D6/706
D495,184	S *	8/2004	Houle	D6/311
6,805,249	B1 *	10/2004	Houle	A47F 7/145
					211/40

Related U.S. Application Data

- (62) Division of application No. 29/553,208, filed on Jan. 29, 2016, now Pat. No. Des. 815,453.
- (51) **LOC (11) Cl.** **06-06**
- (52) **U.S. Cl.**
USPC **D6/407**
- (58) **Field of Classification Search**
USPC D6/300, 310, 407, 672, 673, 678, 678.3,
D6/682; D14/356, 451, 434
CPC . B65D 1/00; B65D 1/34; B65D 85/54; B65D
85/544; B65D 11/20
See application file for complete search history.

(56) **References Cited**

U.S. PATENT DOCUMENTS

D245,056	S *	7/1977	Winther	D6/407
D250,690	S *	1/1979	Felske	D7/388
D250,982	S *	2/1979	Gilman	D6/683
D263,934	S *	4/1982	Fuerneisen	D10/15
D294,313	S *	2/1988	Kelley	D6/407
4,819,792	A *	4/1989	Christian	A47F 5/112
					206/45.25
5,106,047	A *	4/1992	Baer	A47B 63/00
					211/49.1
5,150,813	A *	9/1992	Harris	A47F 7/147
					206/45.26

(Continued)

Primary Examiner — Kelley Donnelly
(74) *Attorney, Agent, or Firm* — Flener IP & Business
Law; Zareefa B. Flener

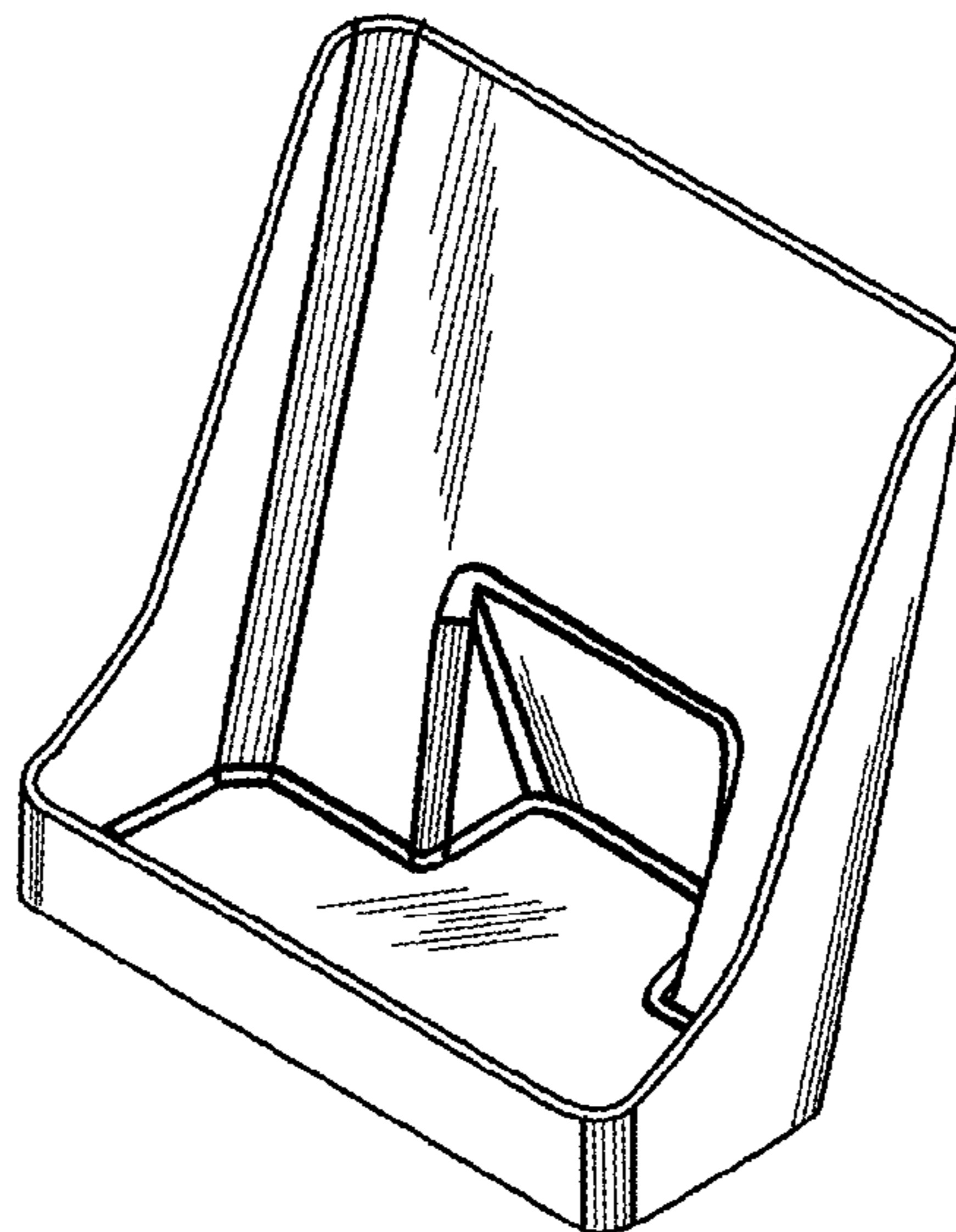
(57) **CLAIM**

The ornamental design for a record stand, as shown and described.

DESCRIPTION

FIG. 1 is a front perspective view of a record stand showing my new design;
FIG. 2 is a back perspective view thereof;
FIG. 3 is a left side elevational view thereof;
FIG. 4 is a right side elevational view thereof;
FIG. 5 is a top plan view thereof;
FIG. 6 is a back plan view thereof;
FIG. 7 is a front plan view thereof; and,
FIG. 8 is a bottom plan view thereof.
The broken lines showing is included for the purpose of illustrating environment and forms no part of the claimed design.

1 Claim, 2 Drawing Sheets



(56)

References Cited

U.S. PATENT DOCUMENTS

6,848,665 B1 * 2/2005 Wu B43M 99/00
248/174
6,929,117 B1 * 8/2005 Cohen A47F 5/112
206/425
6,968,959 B1 * 11/2005 Garvin A47F 7/14
206/449
D522,273 S * 6/2006 Benson D6/682
D524,315 S * 7/2006 Reusing D14/434
D610,579 S * 2/2010 Behar D14/250
D650,013 S * 12/2011 Yi D19/90
D689,718 S * 9/2013 Puckett D6/683
D709,716 S * 7/2014 Watson D6/675.3
D720,010 S * 12/2014 Waldron D19/91
D759,659 S * 6/2016 Lee D14/451
D780,186 S * 2/2017 Lee D14/253
D815,453 S * 4/2018 Robertson D6/407
2007/0045145 A1 * 3/2007 Killinger A47F 7/14
206/499
2013/0026329 A1 * 1/2013 Lane A47B 23/043
248/459
2013/0075302 A1 * 3/2013 Bucknell A47F 5/114
206/765

* cited by examiner

FIG. 1

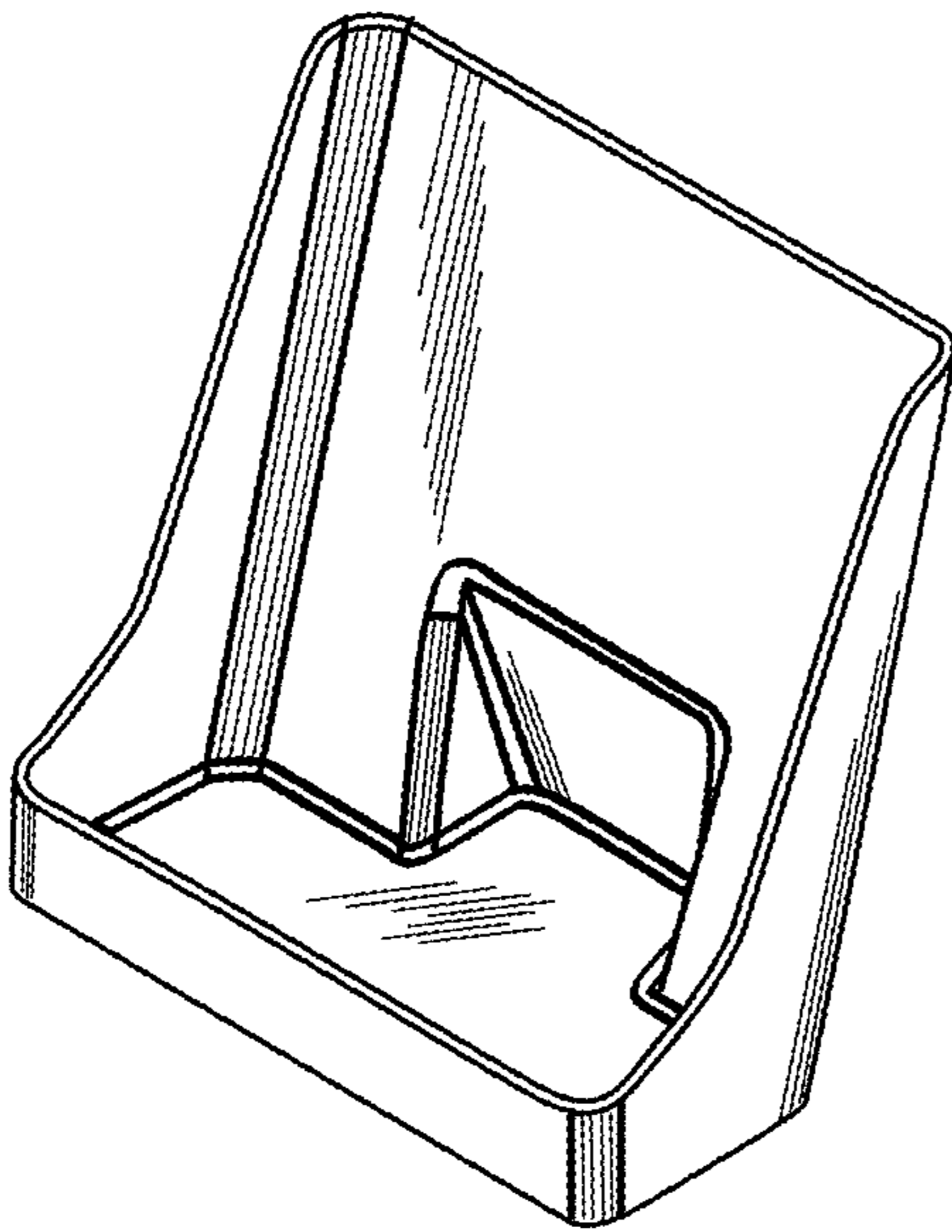


FIG. 2

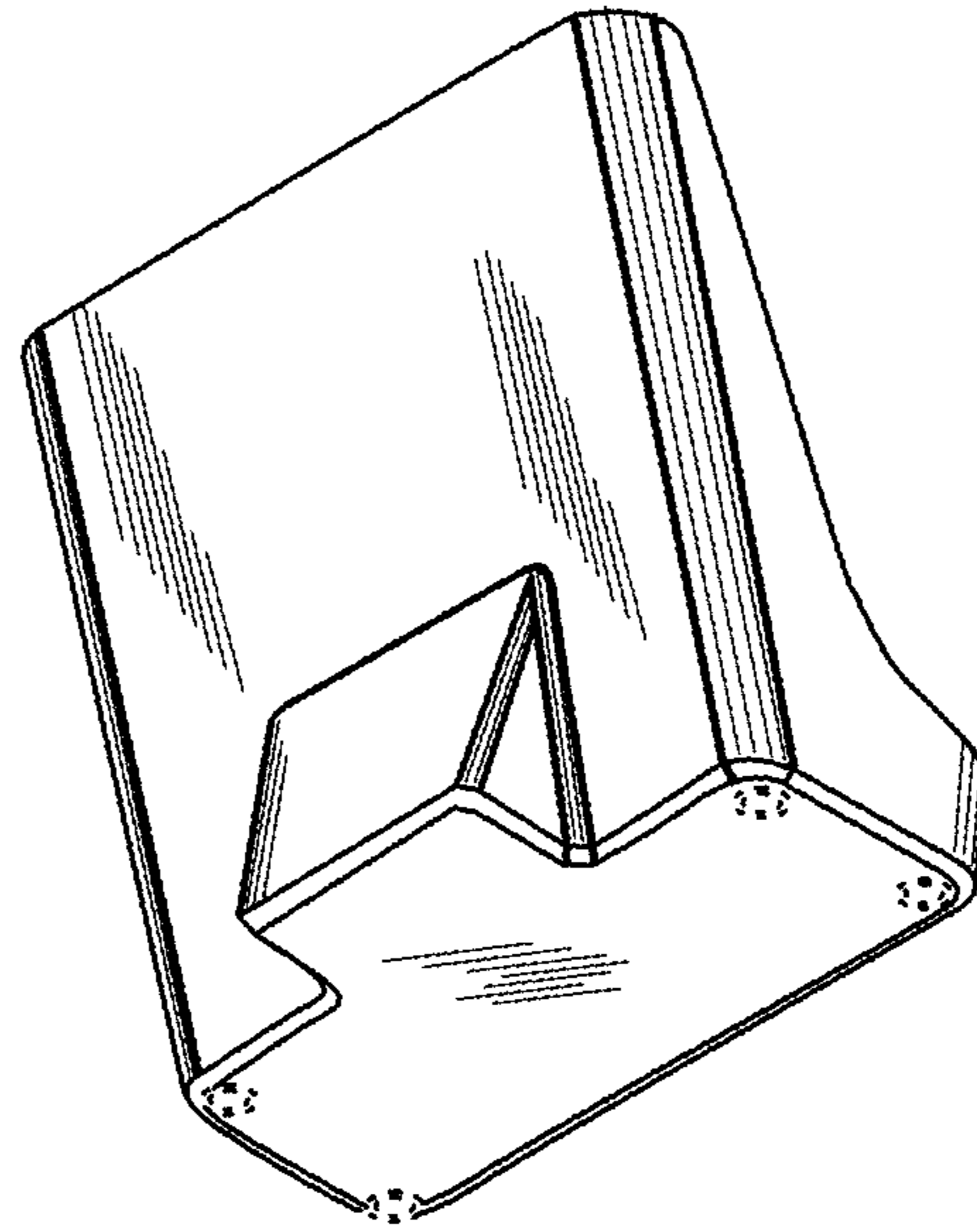


FIG. 3

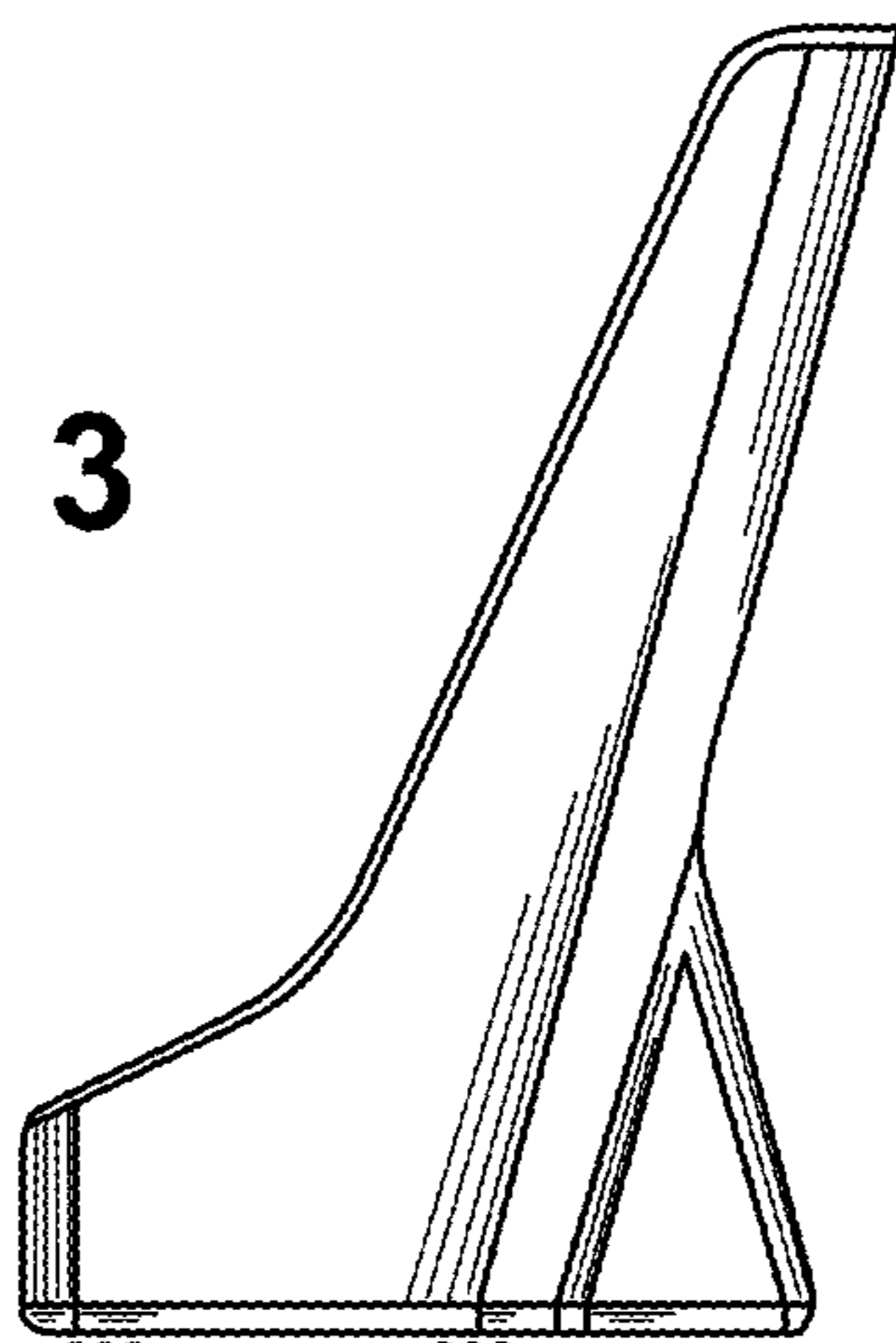


FIG. 4

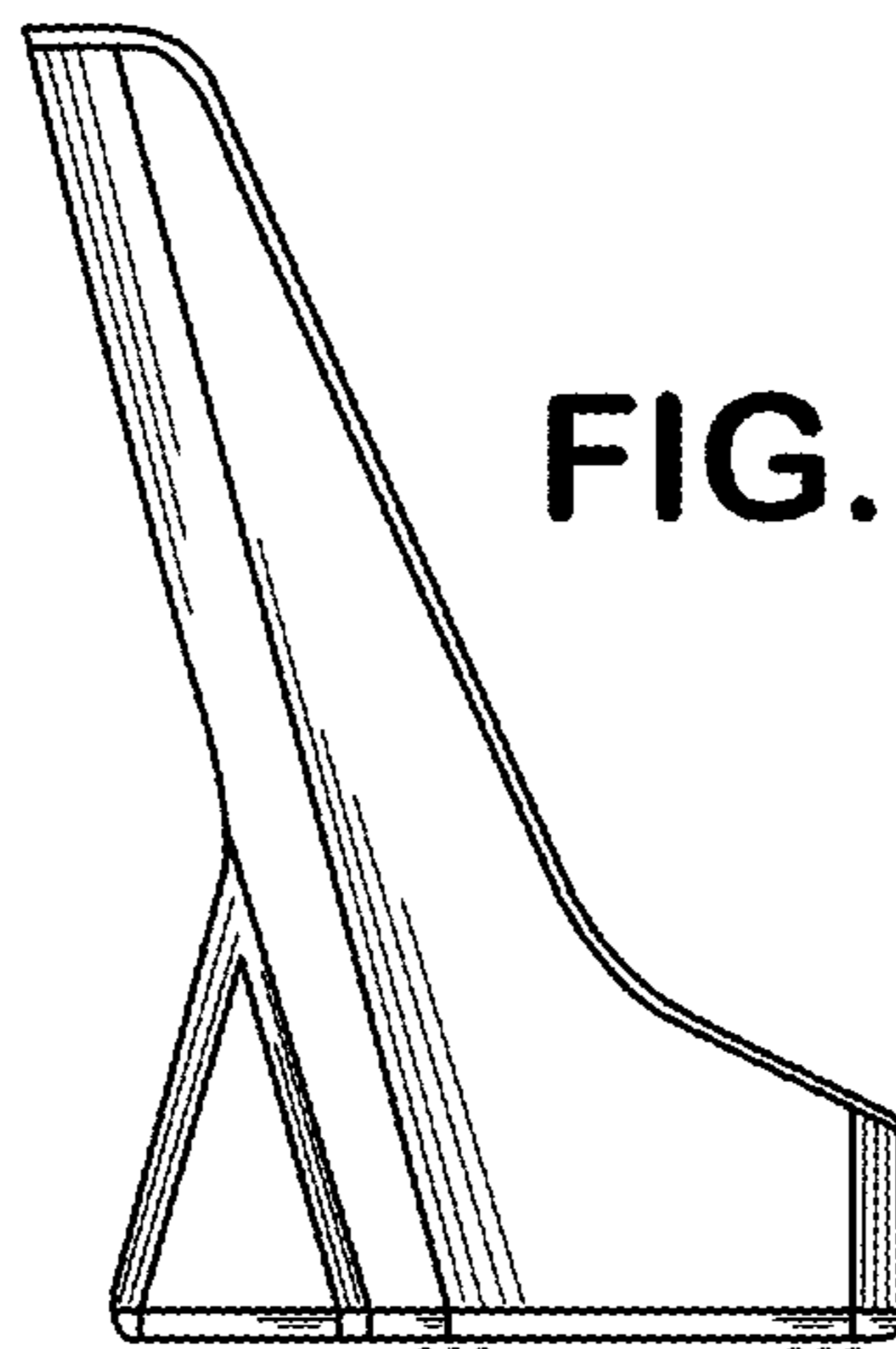


FIG. 5

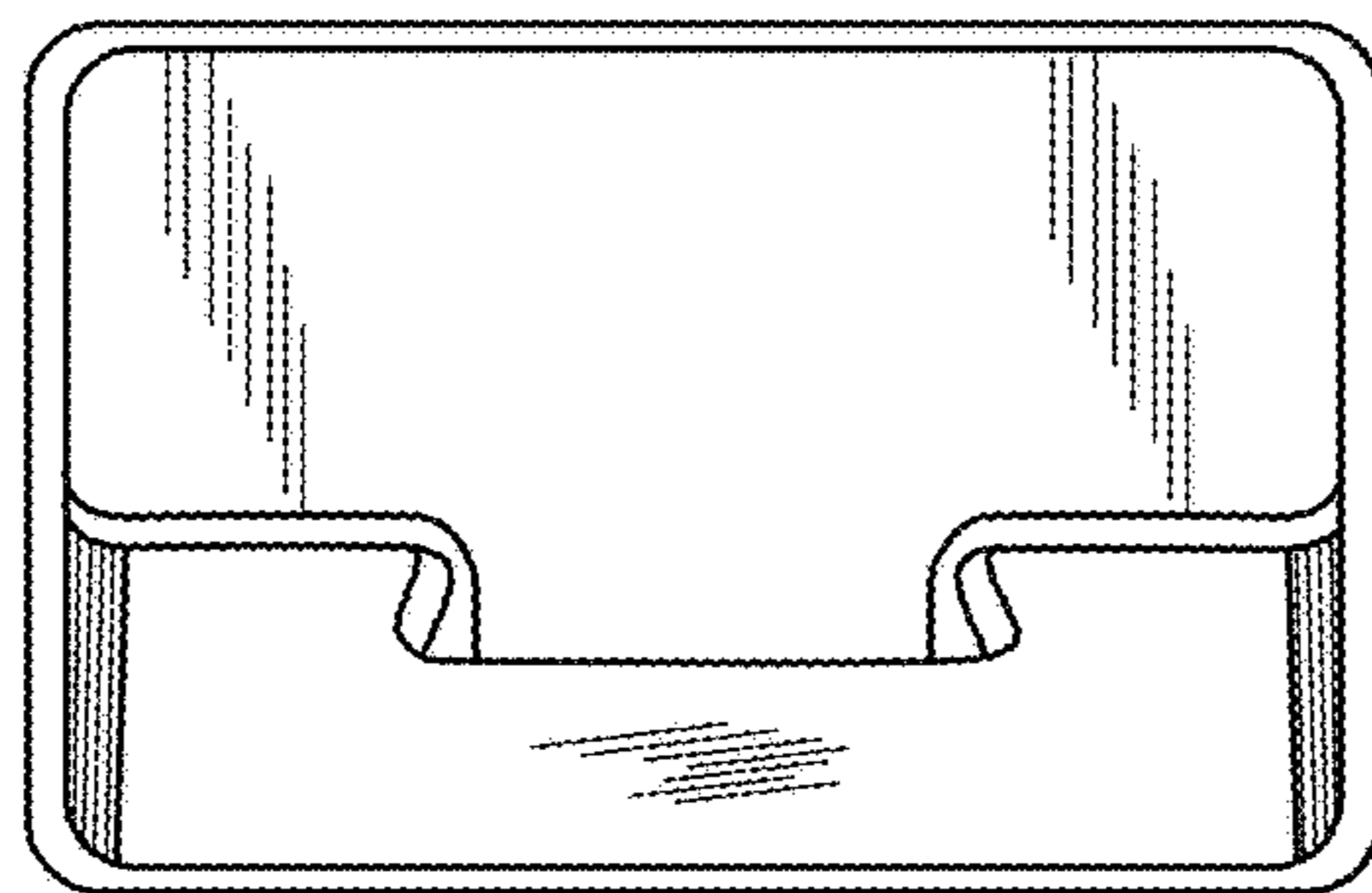


FIG. 6

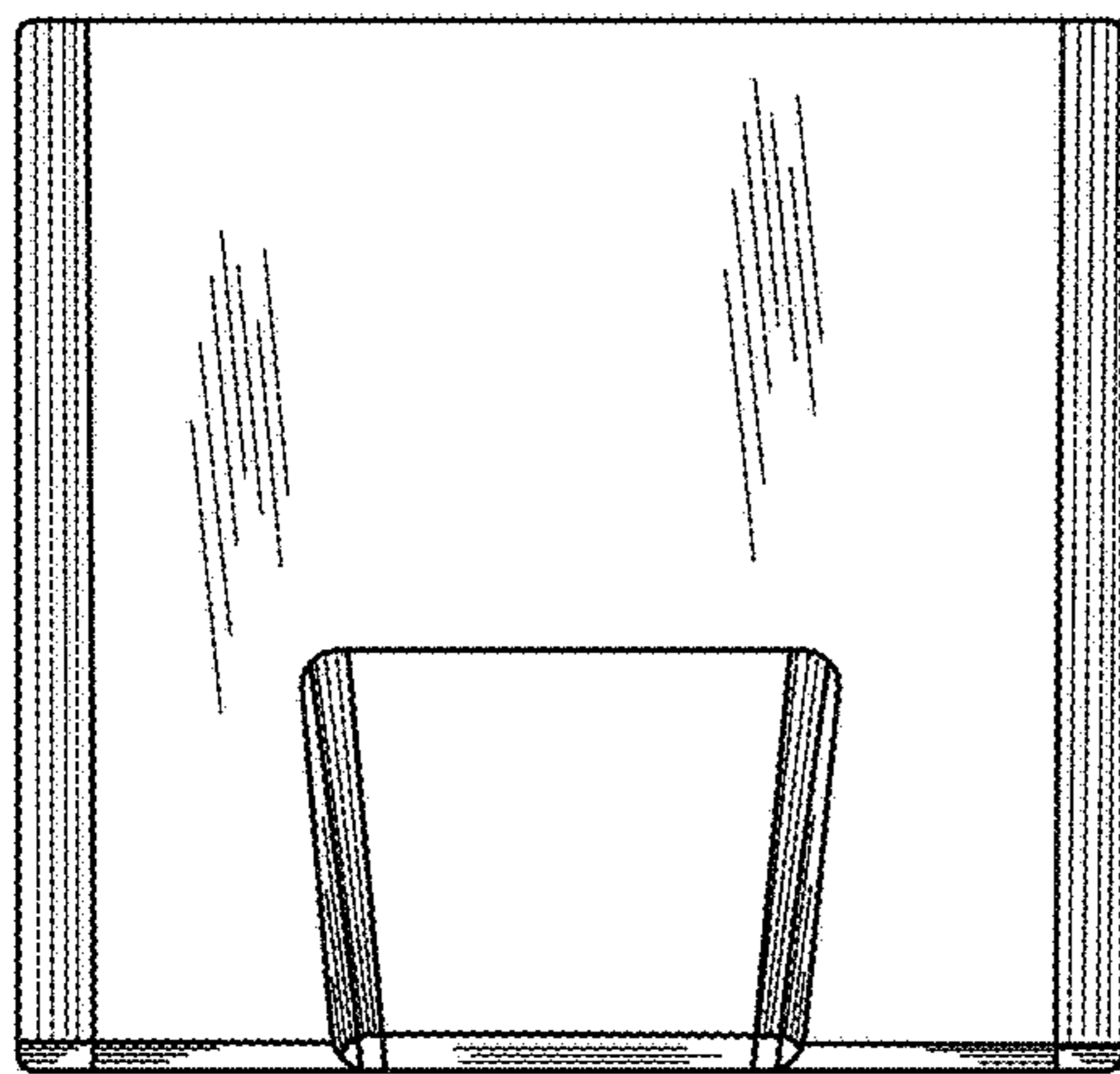


FIG. 7

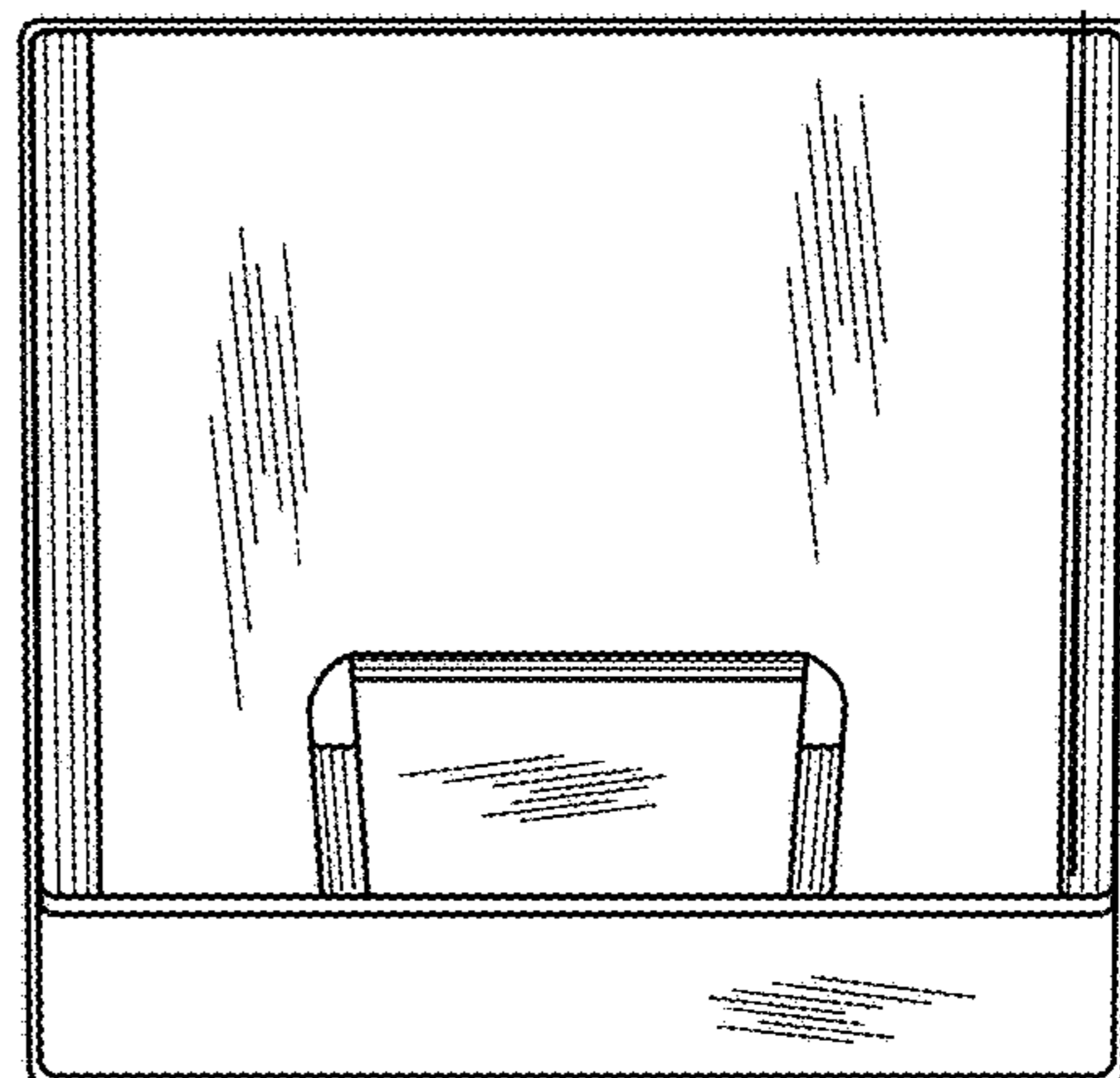


FIG. 8

