



US00D834342S

(12) **United States Design Patent** (10) **Patent No.:** **US D834,342 S**  
**Naik** (45) **Date of Patent:** **\*\* Nov. 27, 2018**

(54) **FOLDABLE RAMPED FOOTSTOOL**

(71) Applicant: **Tikeswar Naik**, Sunnyvale, CA (US)

(72) Inventor: **Tikeswar Naik**, Sunnyvale, CA (US)

(\*\*) Term: **15 Years**

(21) Appl. No.: **29/611,340**

(22) Filed: **Jul. 20, 2017**

(51) **LOC (11) Cl.** ..... **06-01**

(52) **U.S. Cl.**  
USPC ..... **D6/353**

(58) **Field of Classification Search**  
USPC ..... D6/334, 336-342, 349-353, 355, 358,  
D6/360, 364-365, 406.2, 574, 596-597,  
D6/601, 604, 688.24-688.27, 691-691.9,  
D6/692-692.6, 716-716.1  
CPC ..... A47C 16/02-16/04; A47C 13/00; A47K  
17/02; A47K 17/028  
See application file for complete search history.

(56) **References Cited**

**U.S. PATENT DOCUMENTS**

5,553,334	A *	9/1996	Hillman	.....	A47K 13/10 4/249
D435,993	S *	1/2001	Johnson	.....	D6/601
D538,557	S *	3/2007	Martyn	.....	D6/349
D652,222	S *	1/2012	Edwards	.....	D6/349
D665,180	S *	8/2012	Ekelchik	.....	D6/353
D766,604	S *	9/2016	Edwards	.....	A47K 17/02 D6/353
D787,846	S *	5/2017	Naik	.....	D6/353
D787,847	S *	5/2017	Naik	.....	D6/353
D813,560	S *	3/2018	Zioni	.....	D6/353
2015/0272410	A1 *	10/2015	Lavassani	.....	A47K 17/028 4/254
2016/0360937	A1 *	12/2016	Naik	.....	A45D 34/02
2018/0049610	A1 *	2/2018	Rane	.....	A47K 17/028

\* cited by examiner

*Primary Examiner* — Vy N Koenig

(74) *Attorney, Agent, or Firm* — Brett A. Schenck

(57) **CLAIM**

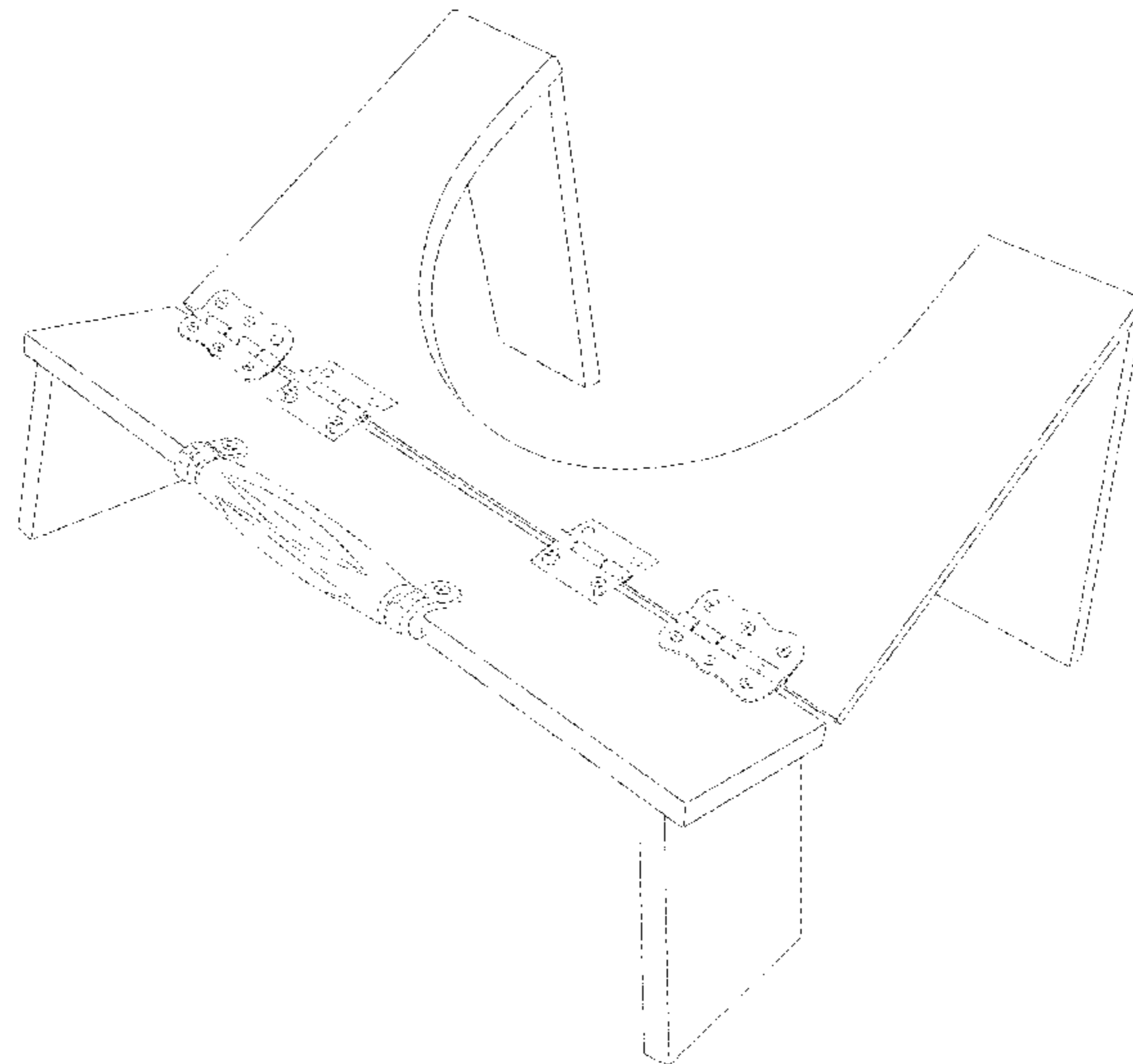
The ornamental design for a foldable ramped footstool, substantially as shown and described.

**DESCRIPTION**

FIG. 1 is a front elevational view of a foldable ramped footstool;  
 FIG. 2 is a rear elevational view of the foldable ramped footstool;  
 FIG. 3 is a top elevational view of the foldable ramped footstool;  
 FIG. 4 is a bottom elevational view of the foldable ramped footstool with the legs folded flat;  
 FIG. 5 is a front perspective view of the foldable ramped footstool;  
 FIG. 6 is a right side elevational view of the foldable ramped footstool;  
 FIG. 7 is a top elevational view of the foldable ramped footstool with the legs folded flat;  
 FIG. 8 is a top elevational view of the foldable ramped footstool with the legs folded flat and with inner hinges unlocked;  
 FIG. 9 is a bottom elevational view of the foldable ramped footstool in a completely folded position;  
 FIG. 10 is a top elevational view of the foldable ramped footstool in a completely folded position; and,  
 FIG. 11 is a bottom elevational view of the foldable ramped footstool in an open position.

A left side elevational view is not shown because it is symmetric to the right side elevational view.  
 The broken lines in the drawings depict environmental subject matter, specifically a massager unit and hinges, and form no part of the claimed design.

**1 Claim, 10 Drawing Sheets**



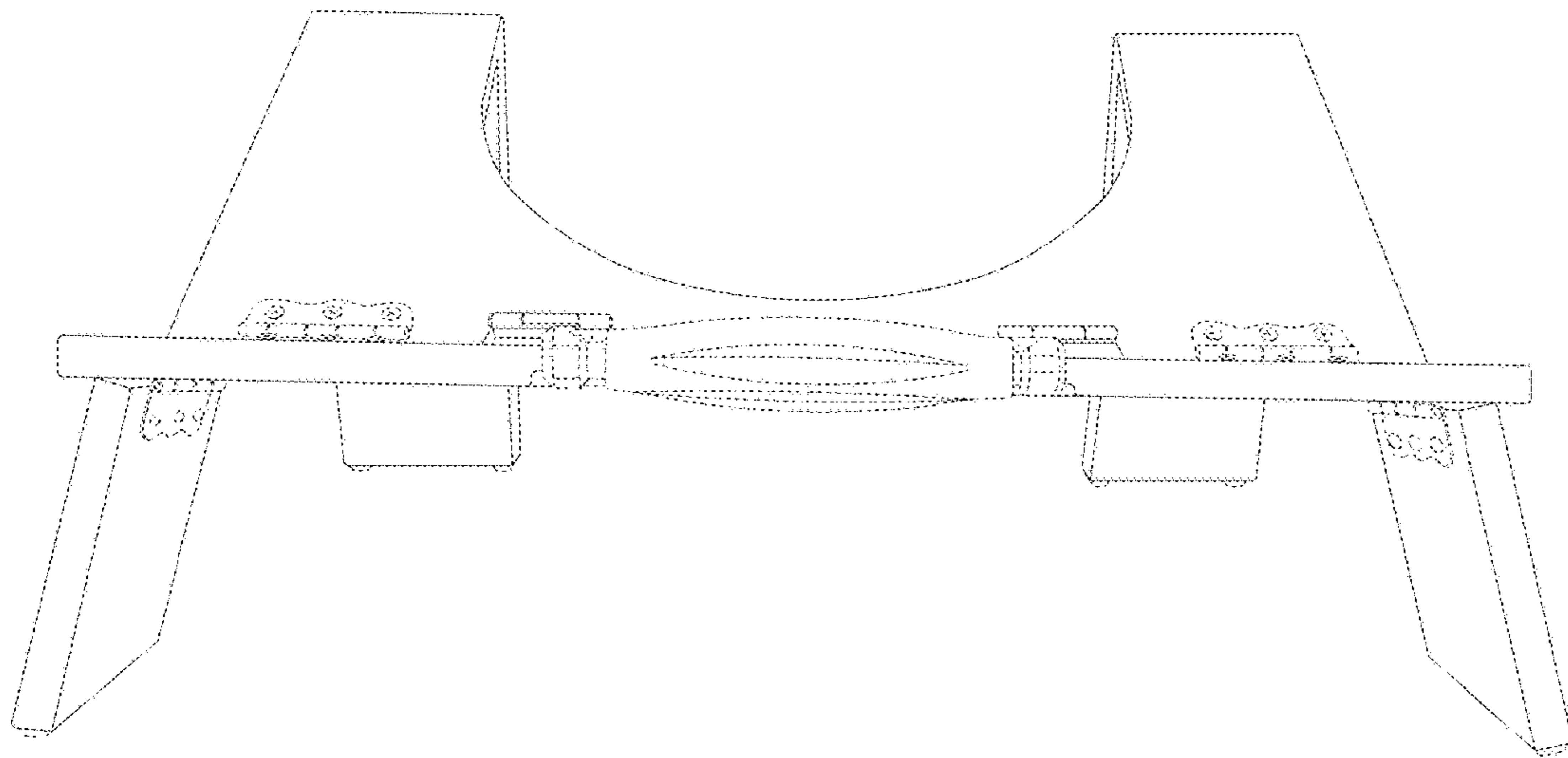
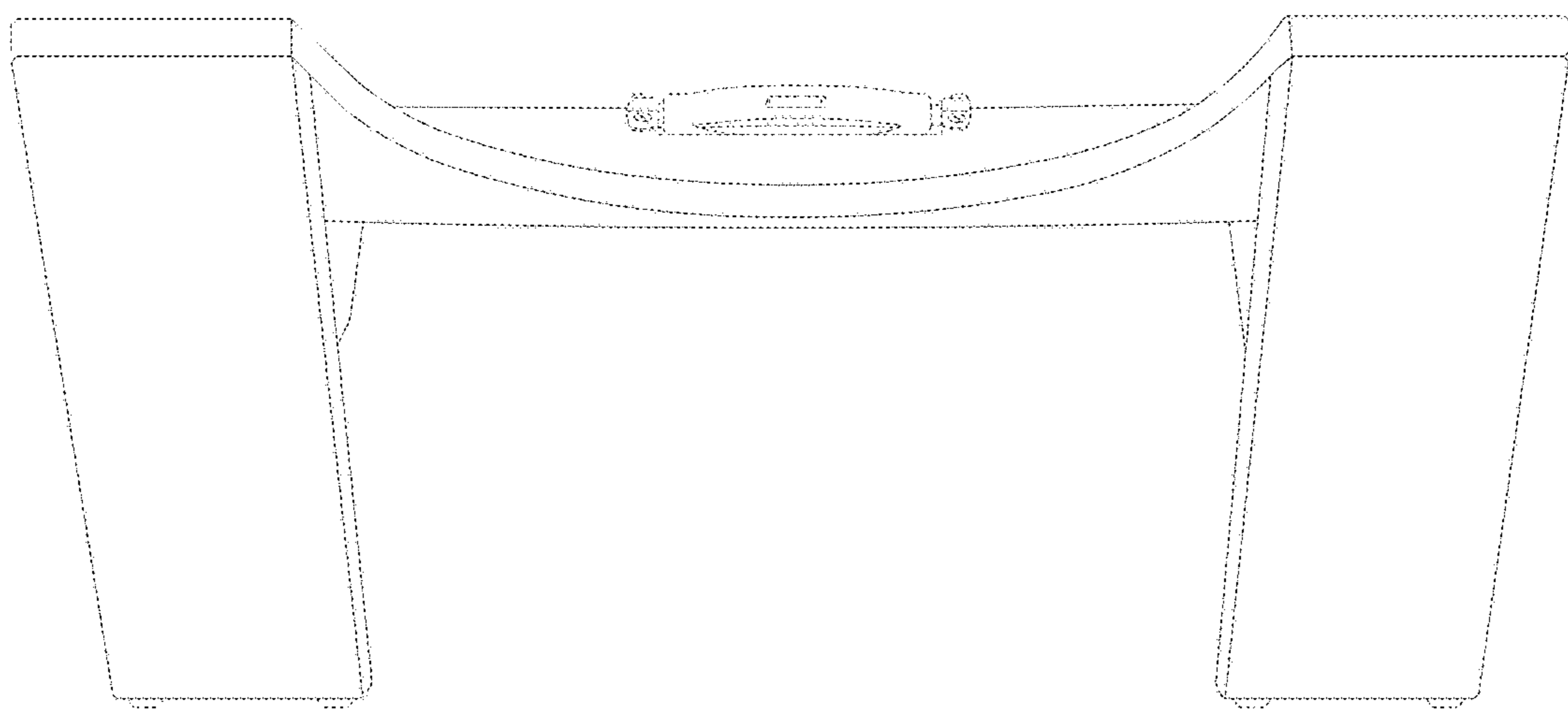


FIG. 1



*FIG. 2*

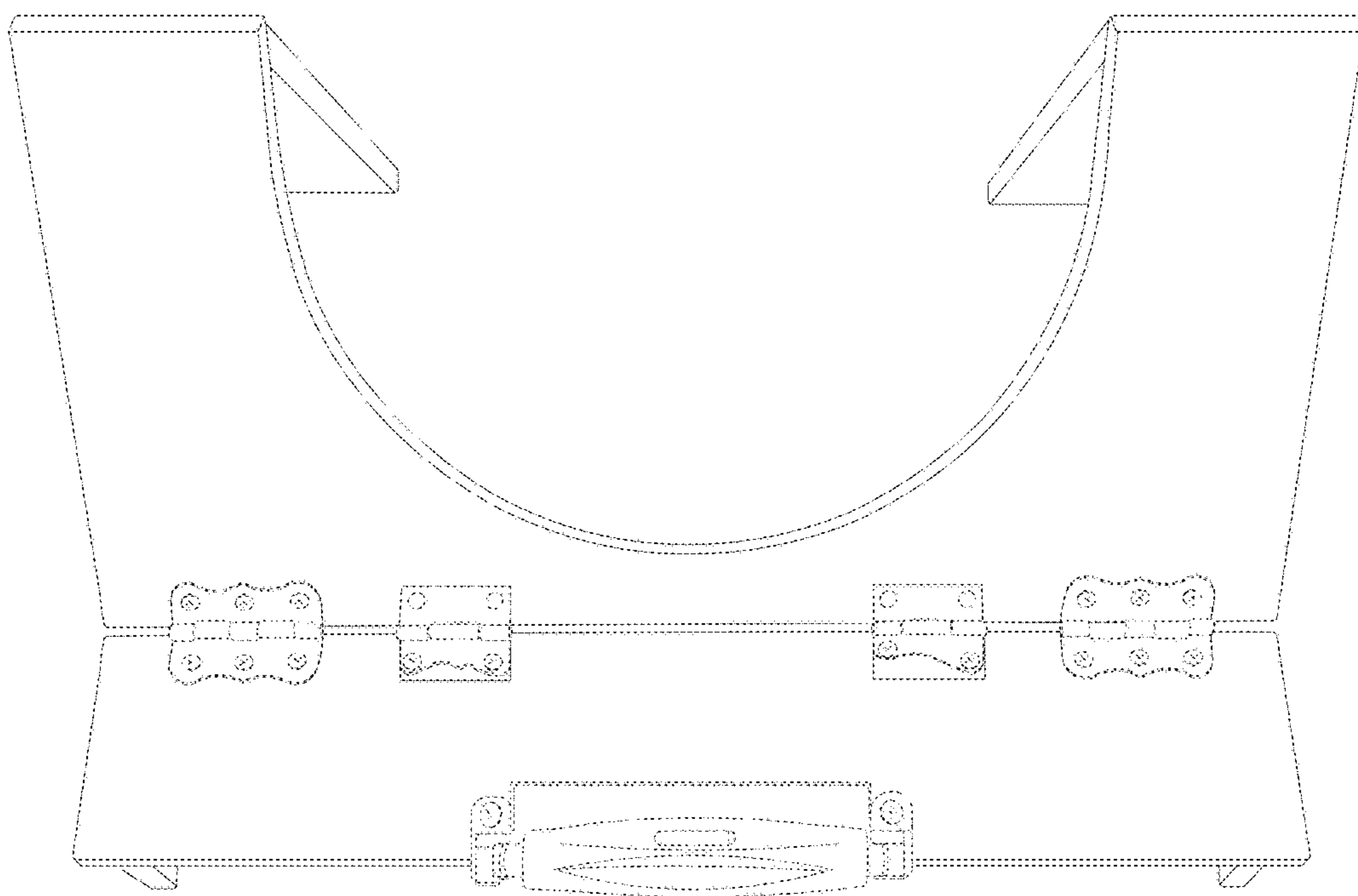


FIG. 3

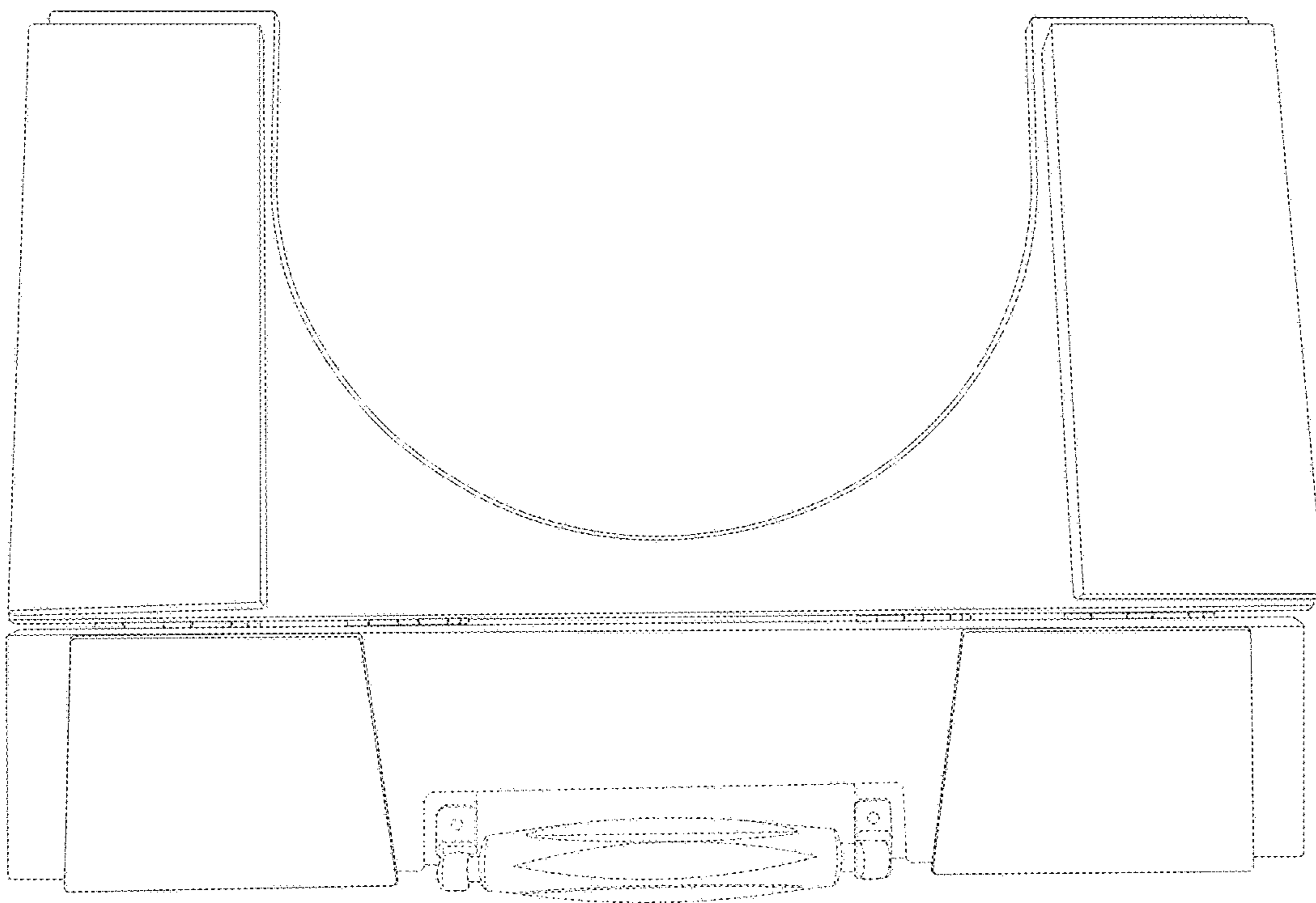


FIG. 4

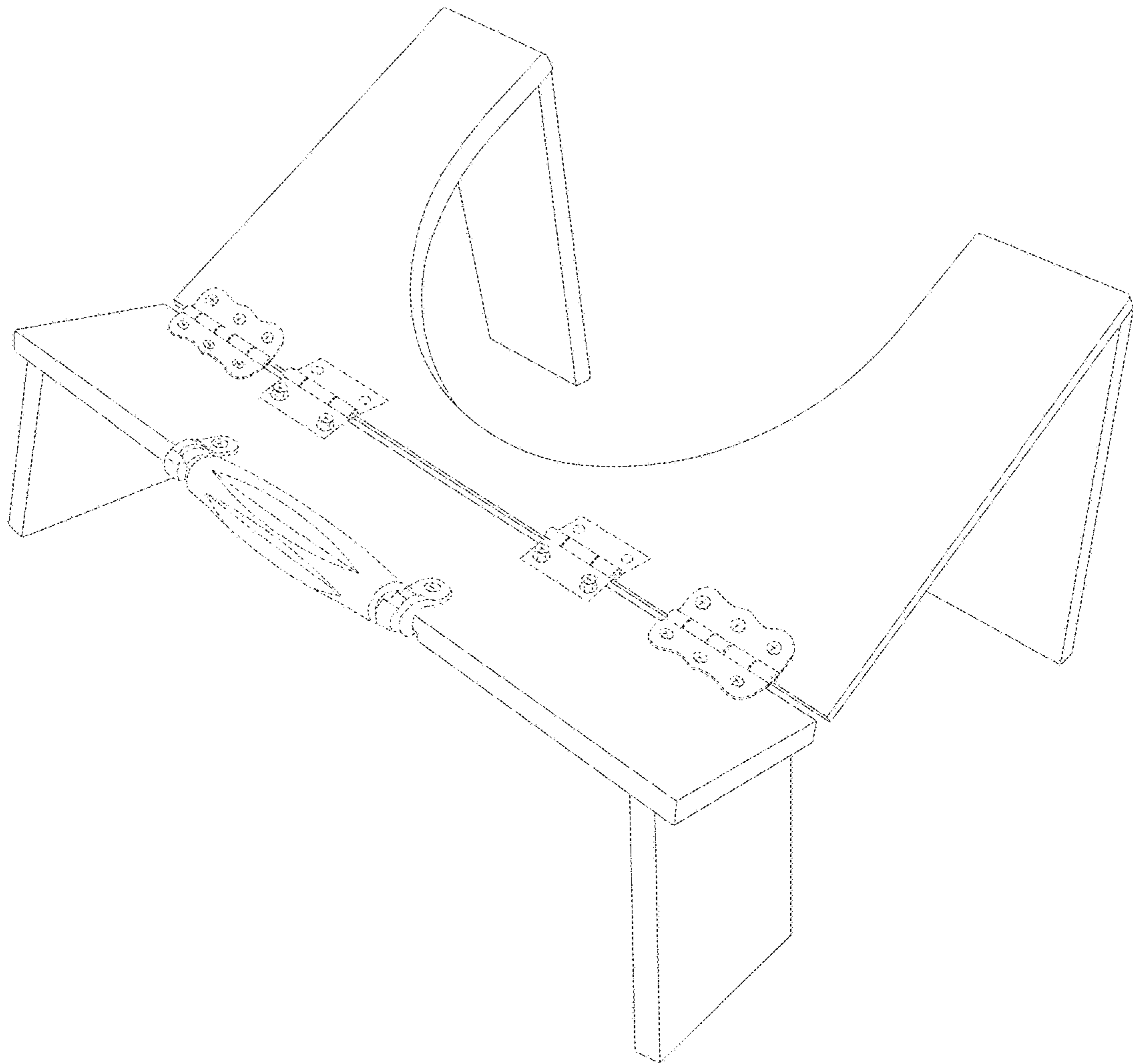


FIG. 5

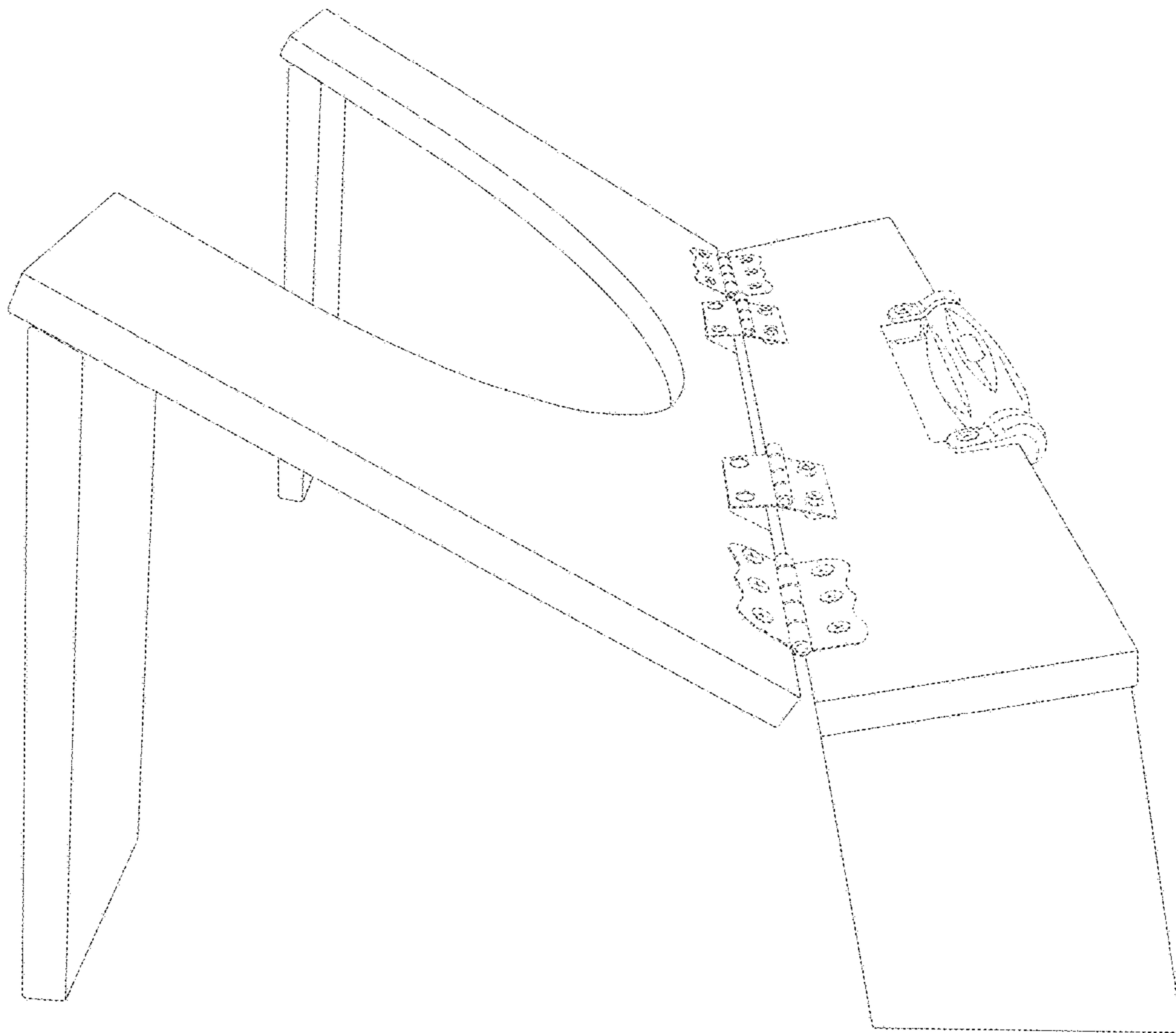
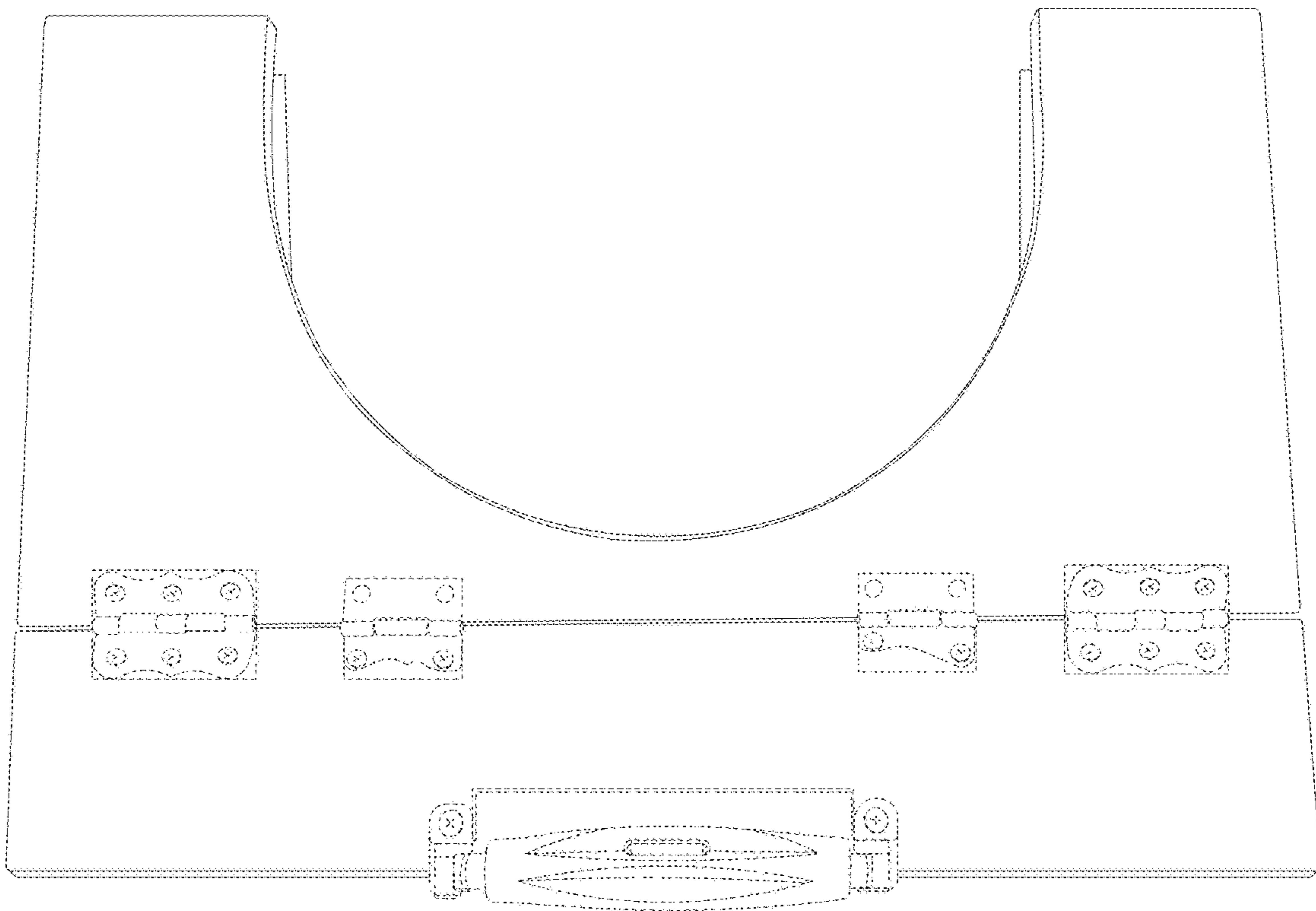


FIG. 6





*FIG. 7*



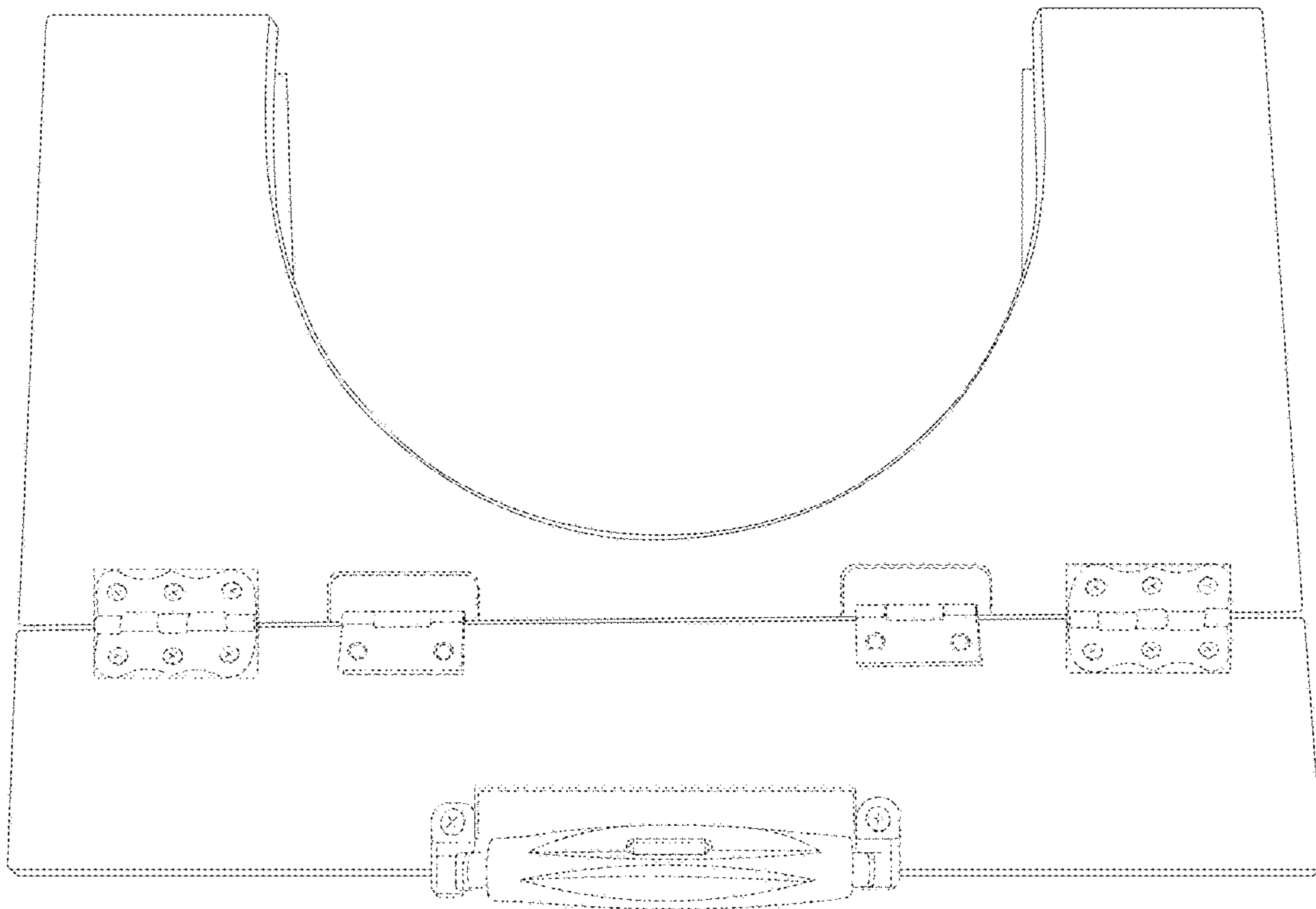
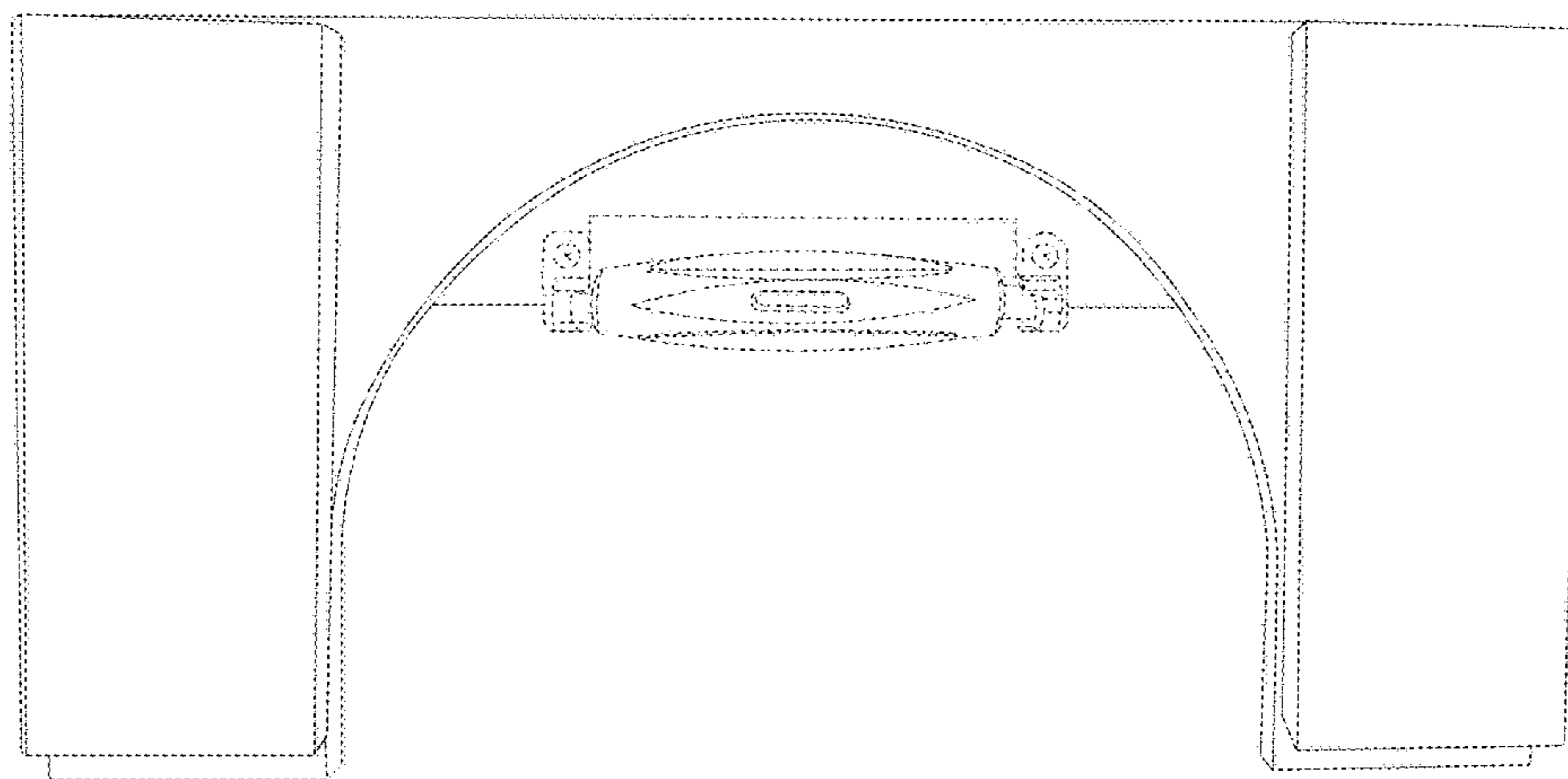
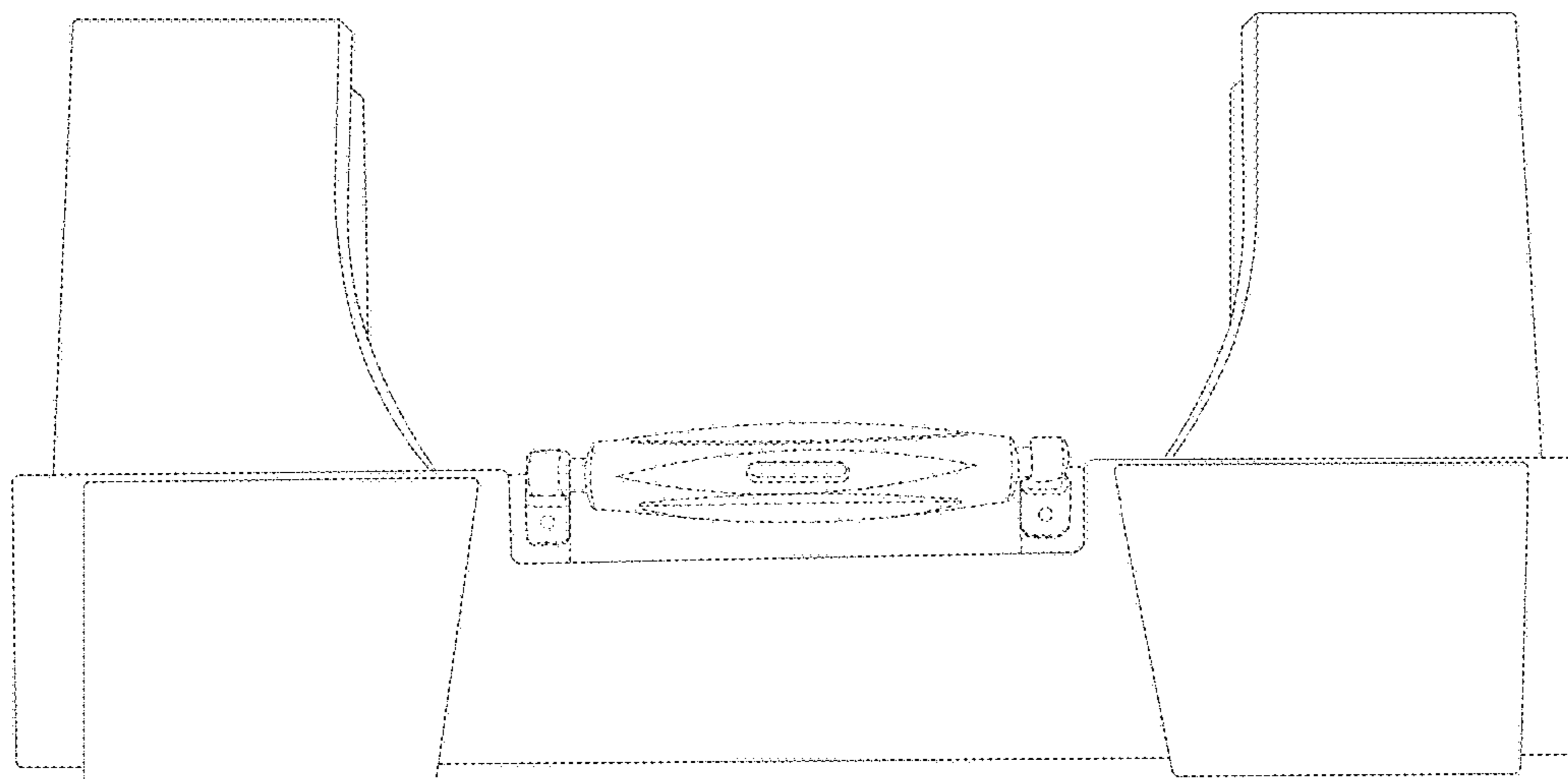


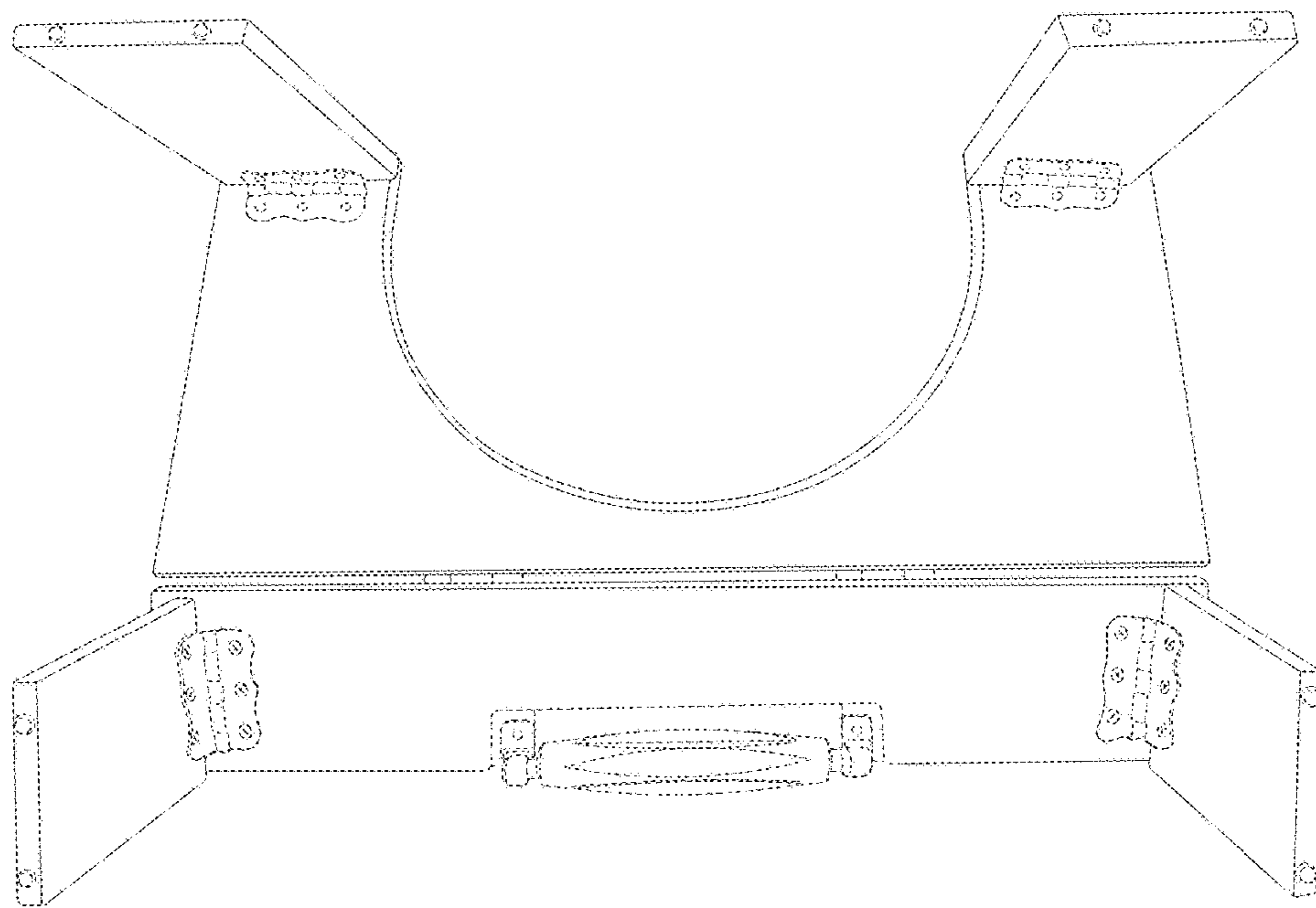
FIG. 8



*FIG. 9*



*FIG. 10*



*FIG. 11*