



US00D834341S

(12) **United States Design Patent**  
**Naik**

(10) **Patent No.:** **US D834,341 S**

(45) **Date of Patent:** **\*\* Nov. 27, 2018**

(54) **RAMPED FOOTSTOOL**

(71) Applicant: **Tikeswar Naik**, Sunnyvale, CA (US)

(72) Inventor: **Tikeswar Naik**, Sunnyvale, CA (US)

(\*\*) Term: **15 Years**

(21) Appl. No.: **29/592,254**

(22) Filed: **Jan. 27, 2017**

(51) **LOC (11) Cl.** ..... **06-01**

(52) **U.S. Cl.**  
USPC ..... **D6/353**

(58) **Field of Classification Search**

USPC ..... D6/334, 336, 349–353, 360, 364, 365,  
D6/367, 371–373, 374, 403–405, 601,  
D6/691–691.9, 692–692.6, 716  
CPC .... A47B 7/00; A47B 7/02; A47B 9/00; A47B  
13/02; A47B 23/00; A47B 39/00; A47C  
3/18; A47C 3/20; A47C 7/002; A47C  
7/18; A47C 9/002; A47C 9/007; A47C  
9/02; A47C 9/025; A47C 9/08; A47C  
11/00; A47C 12/00; A47C 13/00; A47C  
16/02; A47C 16/04

See application file for complete search history.

(56) **References Cited**

**U.S. PATENT DOCUMENTS**

D280,052 S \* 8/1985 Hypponen ..... D6/349  
4,678,234 A \* 7/1987 Wilson ..... A47C 16/025  
297/423.45  
4,713,846 A \* 12/1987 Hodroski, Jr. .... A47K 17/00  
4/254  
D297,790 S \* 9/1988 Melvin ..... D6/350  
D451,292 S \* 12/2001 Cheris ..... D6/349  
9,066,598 B1 \* 6/2015 Sears ..... A47C 16/02  
D766,604 S \* 9/2016 Edwards ..... A47K 17/02  
D6/353  
D767,291 S \* 9/2016 Edwards ..... A47C 16/025  
D6/353

D787,846 S \* 5/2017 Naik ..... D6/353  
D787,847 S \* 5/2017 Naik ..... D6/353  
D797,466 S \* 9/2017 Zioni ..... D6/353  
2016/0360937 A1 \* 12/2016 Naik ..... A45D 34/02

**OTHER PUBLICATIONS**

Turbo Fusion—Elevate Your Bathroom Posture & Experience.  
[online] Published Mar. 28, 2017. Retrieved Feb. 2, 2018 from  
URL: < <https://www.kickstarter.com/projects/2061222615/turbo-fusion-elevate-your-bathroom-posture-and-exp>>.\*

Re-Lax Toilet Stool. [online] Retrieved Feb. 2, 2018 from URL:  
<<https://www.stressnomore.co.uk/re-lax-toilet-stool-91768.html>>.\*

\* cited by examiner

*Primary Examiner* — Vy N Koenig

(74) *Attorney, Agent, or Firm* — Brett A. Schenck

(57) **CLAIM**

The ornamental design for a ramped footstool, as shown and described.

**DESCRIPTION**

FIG. 1 is a front elevational view of a foldable ramped footstool, in accordance with the present design;

FIG. 2 is a rear elevational view thereof;

FIG. 3 is a top elevational view thereof;

FIG. 4 is a bottom elevational view thereof;

FIG. 5 is a front perspective view thereof with a movable toe platform in a lower most position;

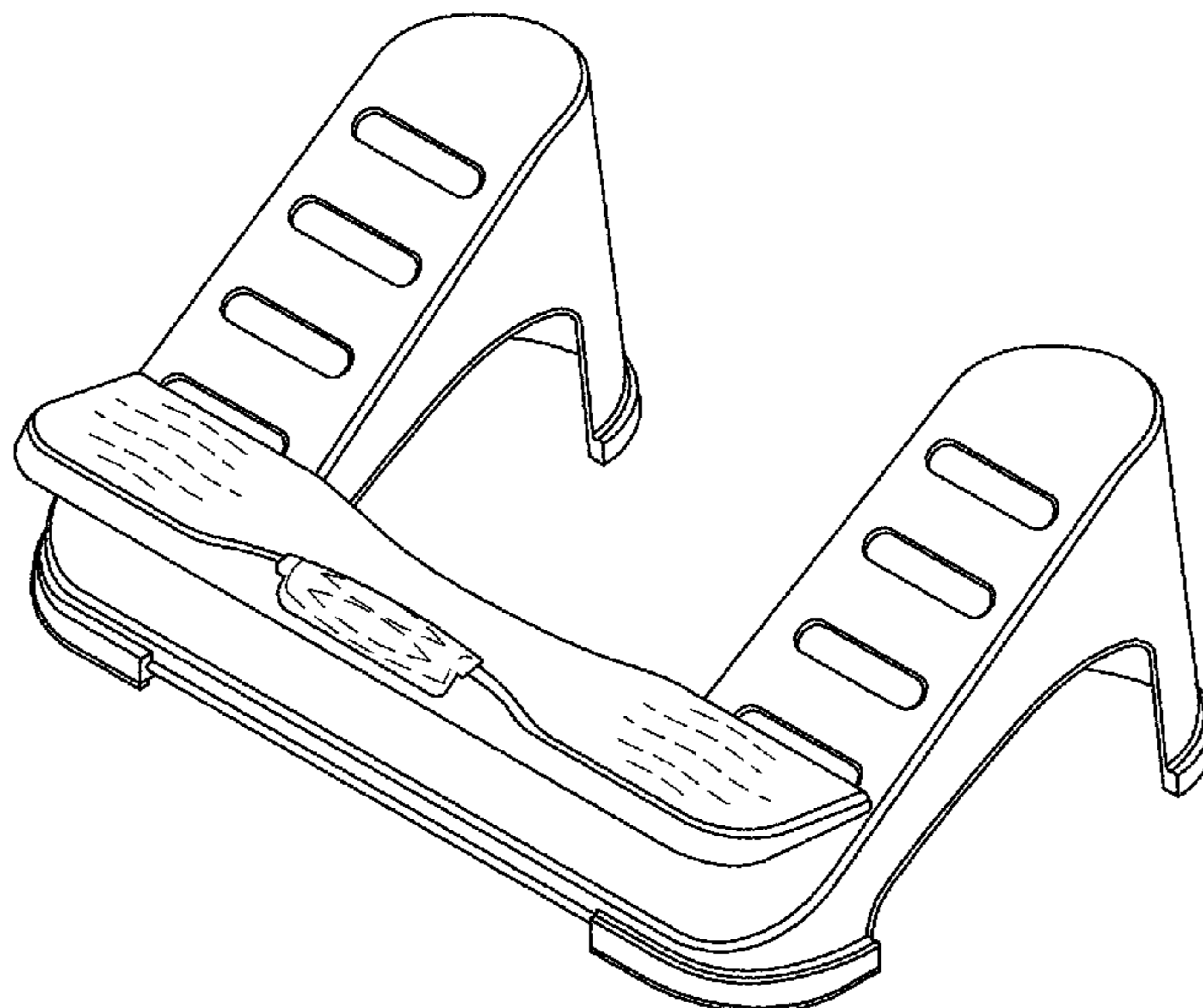
FIG. 6 is a front perspective view thereof with a movable toe platform in an upper most position;

FIG. 7 is a left side elevational view thereof; and,

FIG. 8 is a right side elevational view thereof.

The broken lines showing the exemplary massager unit attached to the movable toes platform, the arched openings on the sides of the ramped footstool, and the non-slip texture on the movable toes platform depict environmental subject matter only and form no part of the claimed design.

**1 Claim, 6 Drawing Sheets**



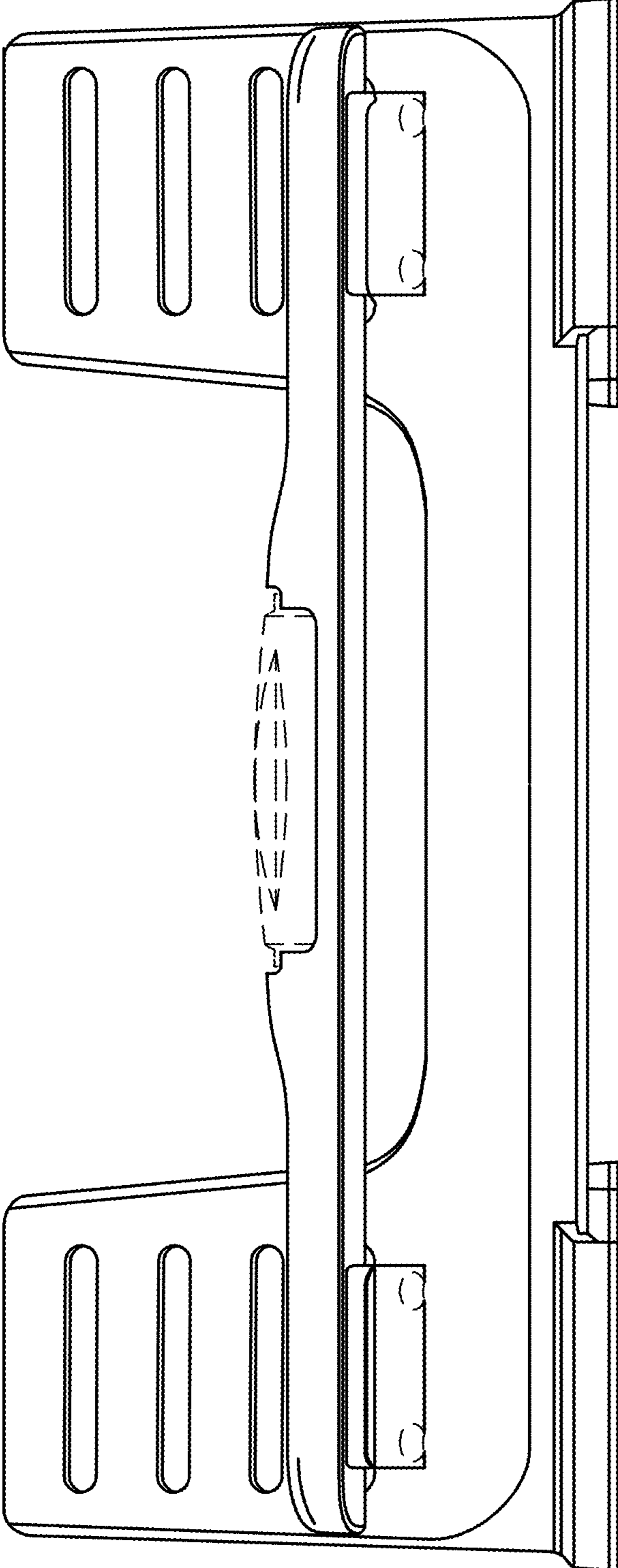


FIG. 1

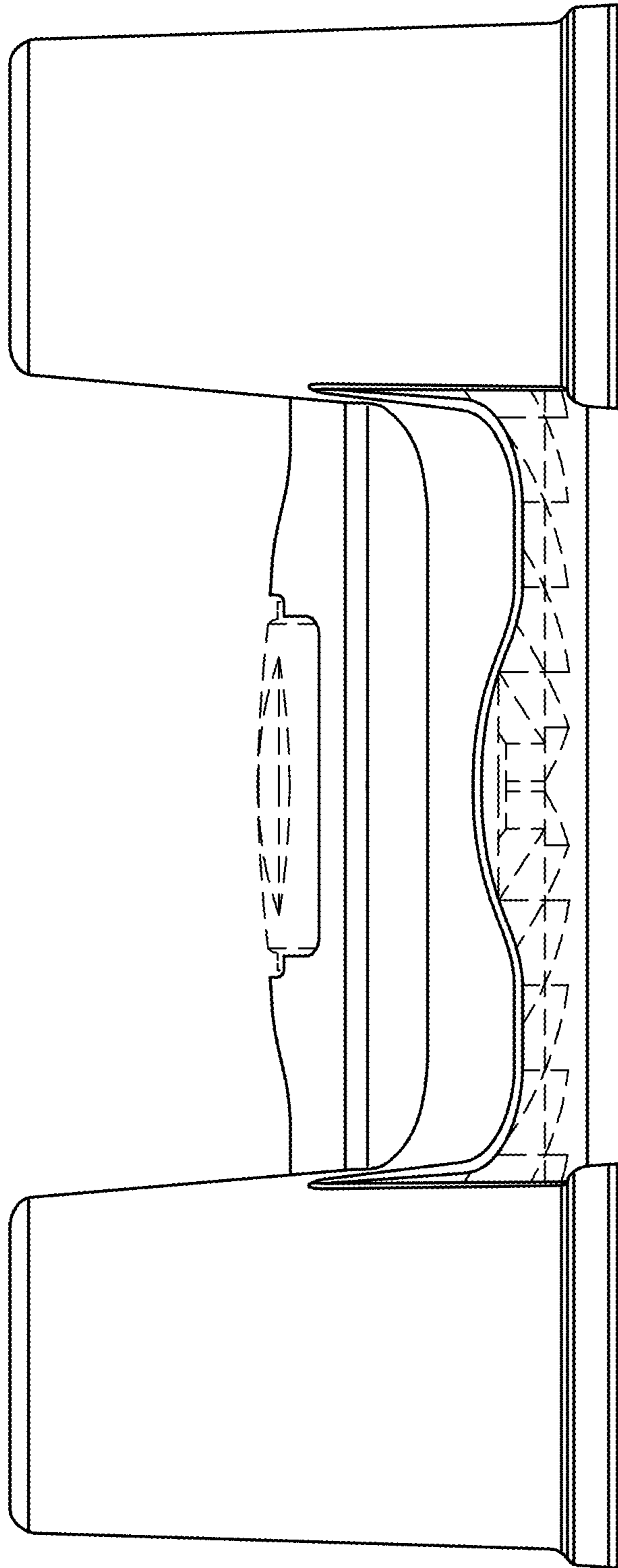


FIG. 2

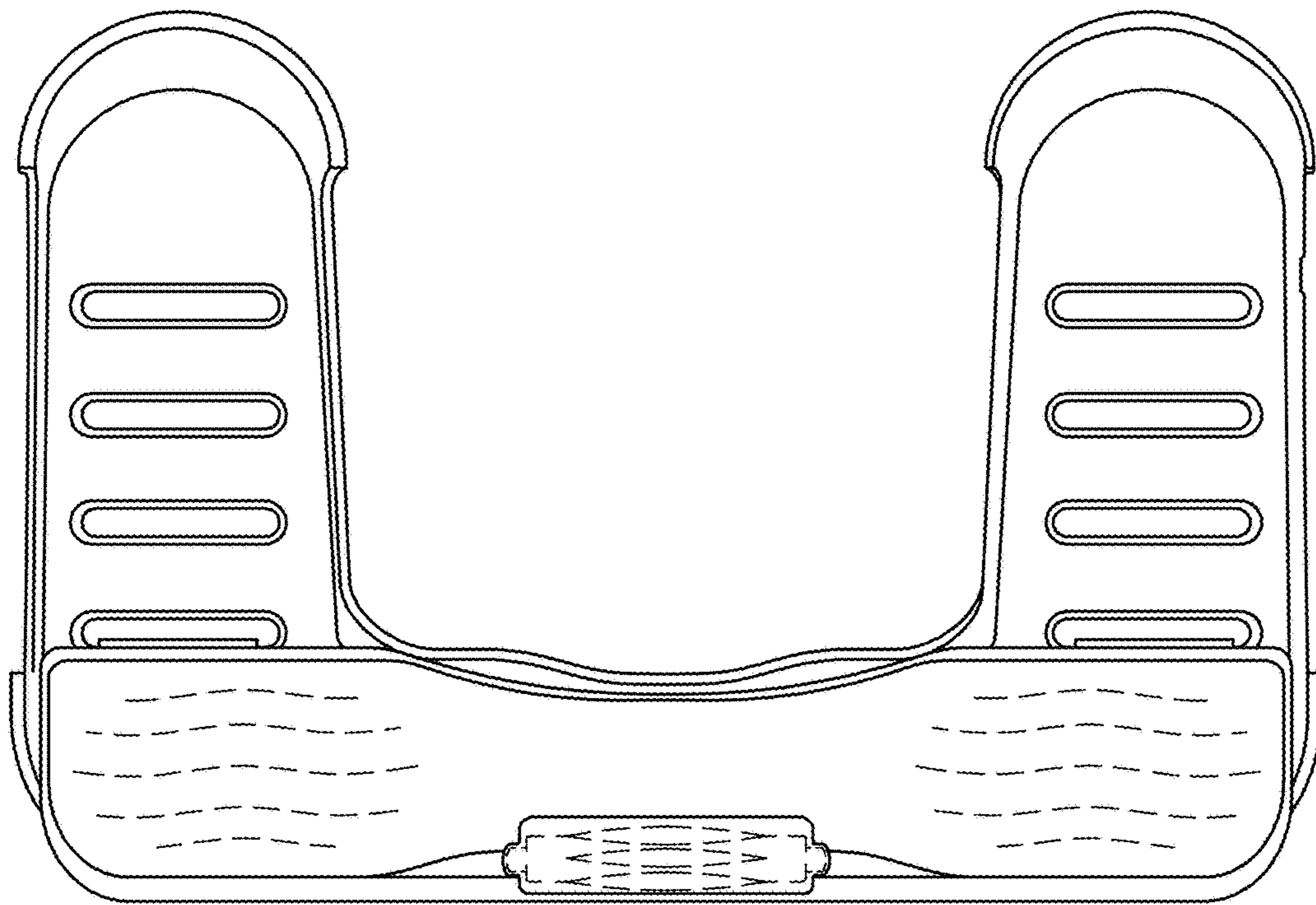


FIG. 3

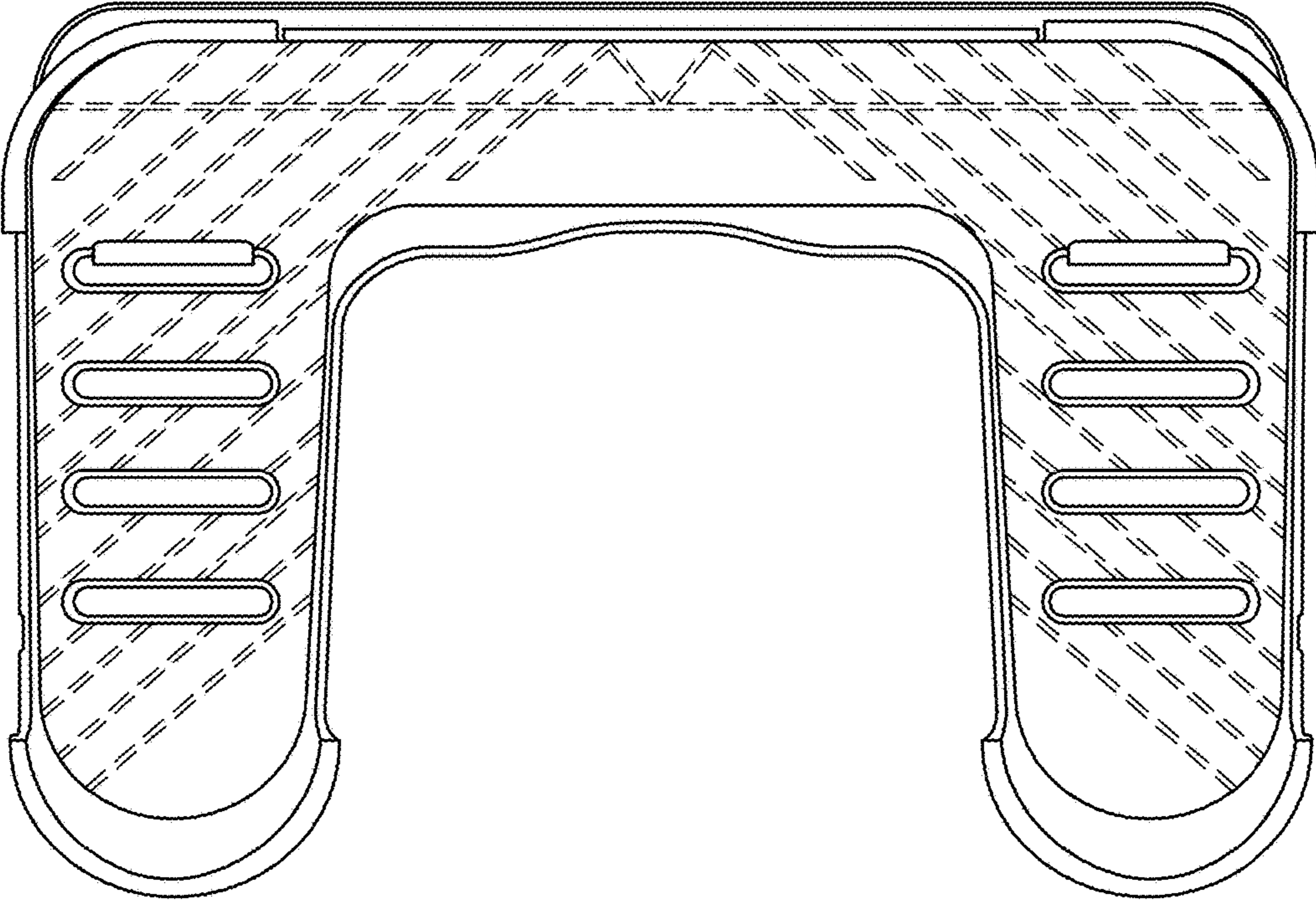


FIG. 4

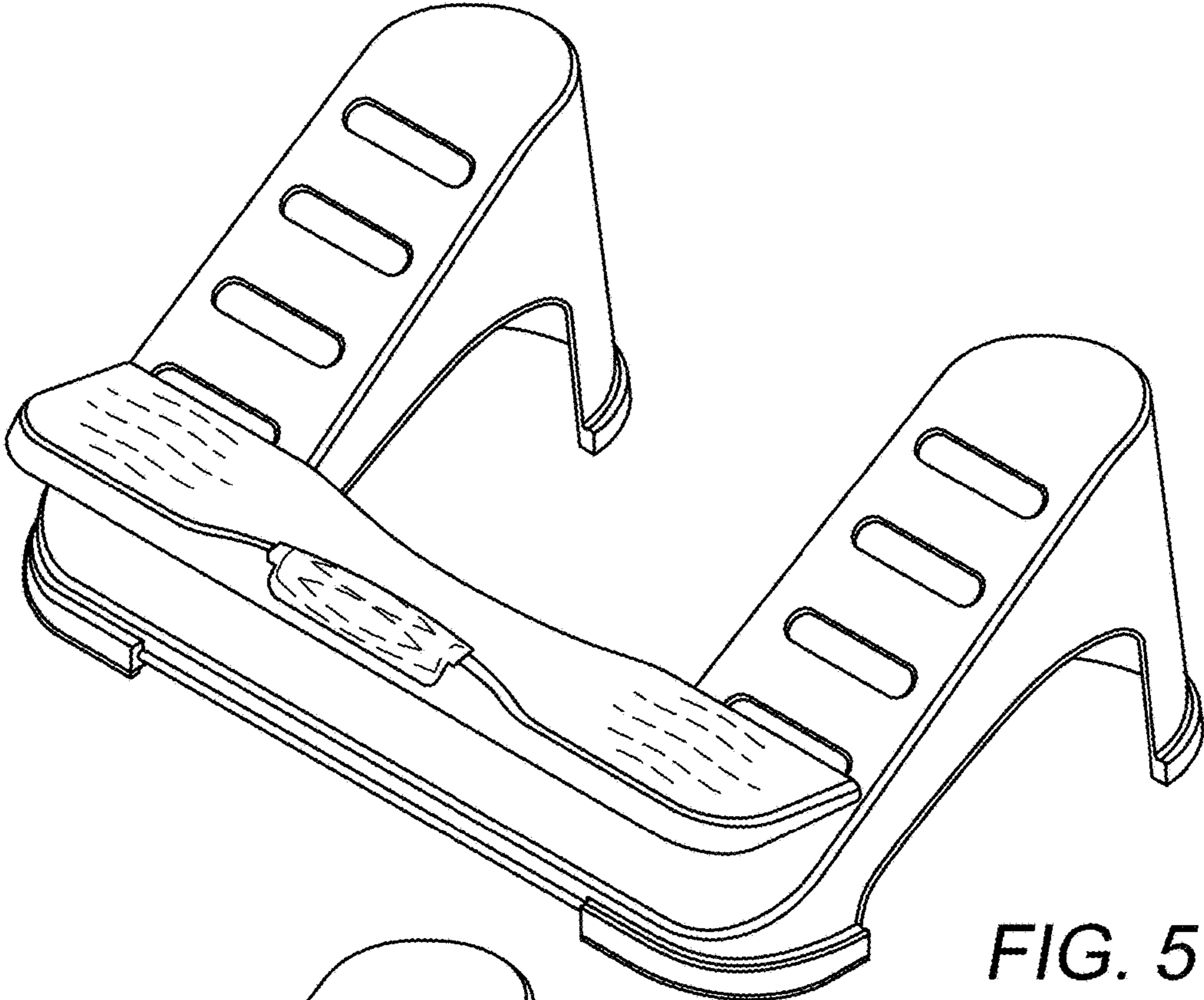


FIG. 5

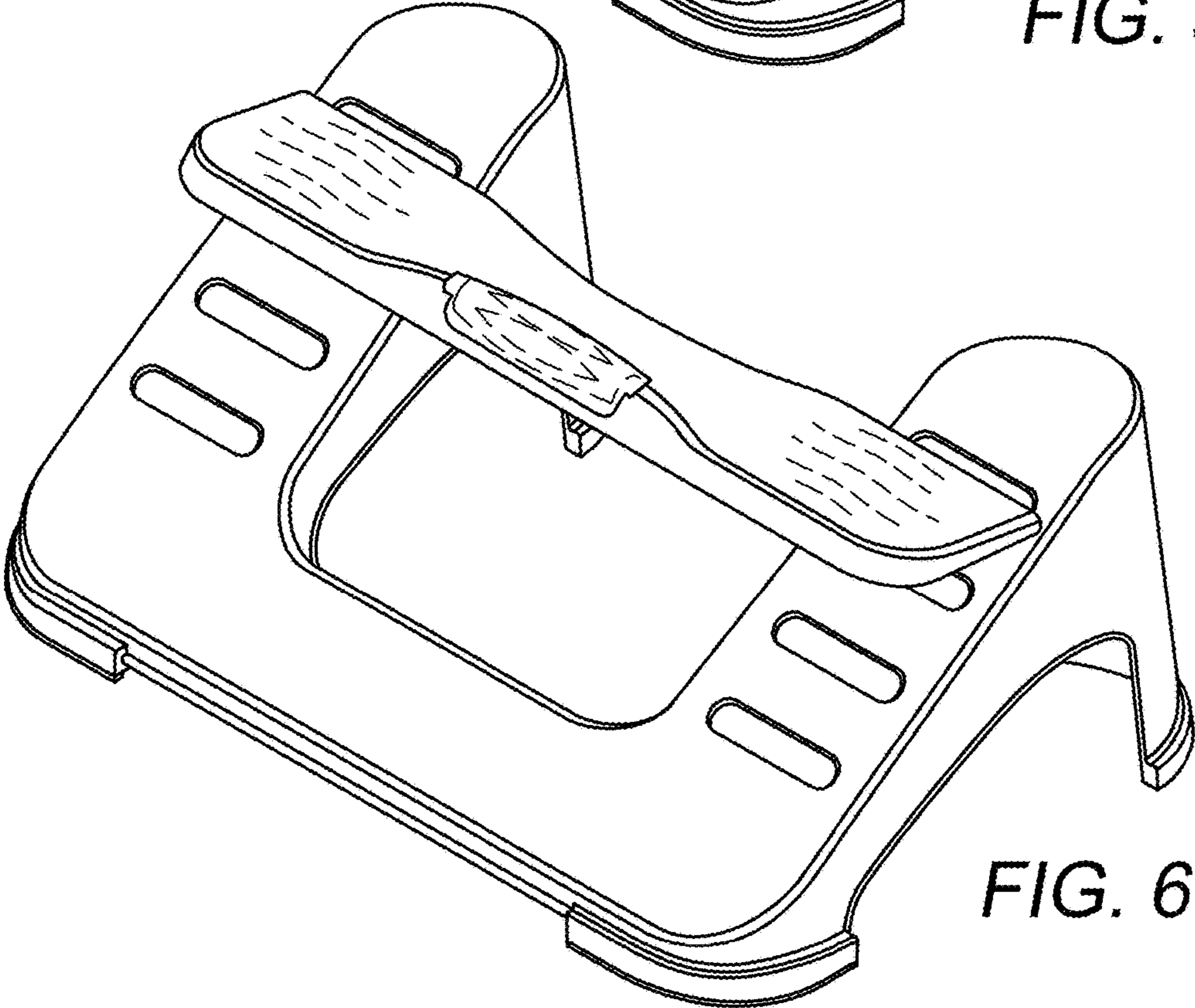


FIG. 6

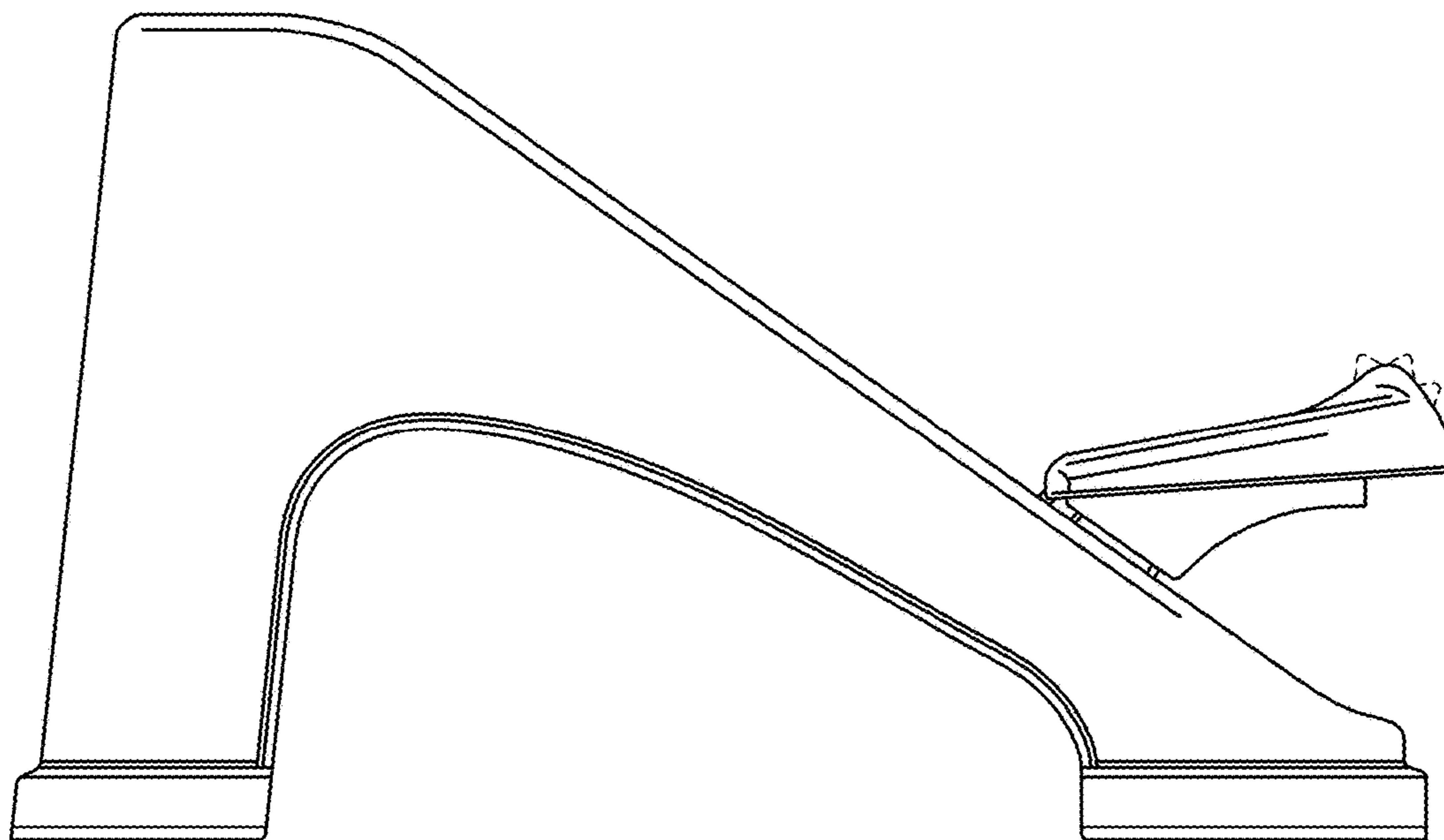


FIG. 7

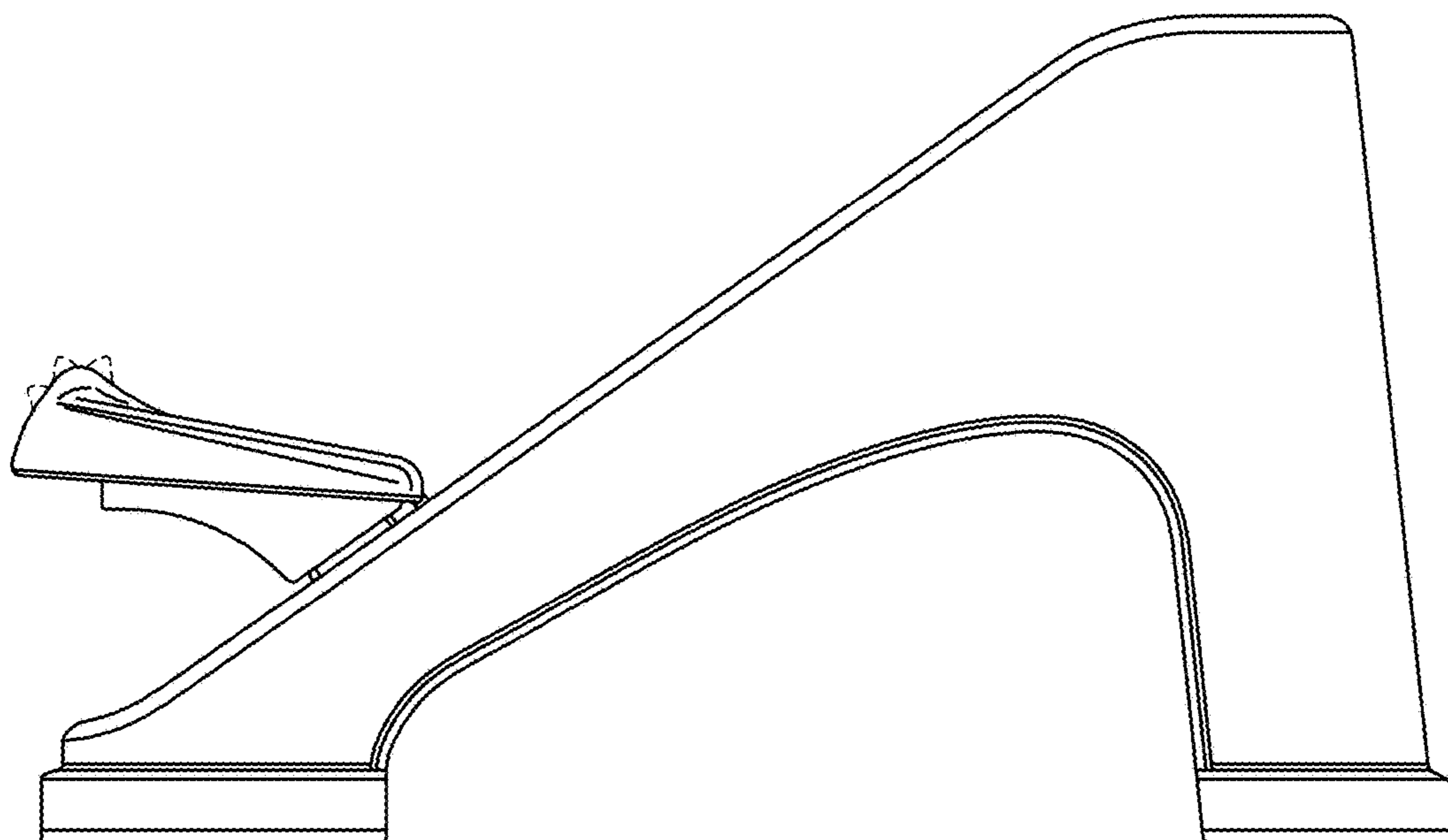


FIG. 8