



US00D834338S

(12) **United States Design Patent** (10) **Patent No.:** **US D834,338 S**
Taylor et al. (45) **Date of Patent:** **** Nov. 27, 2018**

(54) **CLOTHES HANGER**
(71) Applicant: **The Janger Limited**, London (GB)
(72) Inventors: **Guy Taylor**, London (GB); **Mark O’Sullivan**, Hertfordshire (GB)
(73) Assignee: **The Janger Limited**, London (GB)
(**) Term: **15 Years**
(21) Appl. No.: **29/610,380**
(22) Filed: **Jul. 12, 2017**
(30) **Foreign Application Priority Data**
Mar. 17, 2017 (EM) 003804996-0002
(51) **LOC (11) Cl.** **06-08**
(52) **U.S. Cl.**
USPC **D6/323**
(58) **Field of Classification Search**
USPC D6/315-328; D8/367
CPC A47G 25/32; A47G 25/28; A47G 25/442;
A47G 25/20; A47G 25/24; A47G
25/1421; A47G 25/1428; A47G 25/06;
A47G 25/52; A47G 25/38; A47G 25/50;
A47G 25/183; A47G 25/70; A47G
25/0607; A47G 2025/448; A47G 25/1414;
A47G 25/0678; A47G 25/44; A47F 7/19;
A47F 5/01; A47F 5/13
See application file for complete search history.

(56) **References Cited**
U.S. PATENT DOCUMENTS
3,270,892 A * 9/1966 Dennis A47G 25/1457
211/113
3,310,272 A * 3/1967 Brunger A47F 5/0006
211/113
D226,547 S * 3/1973 Iso D6/315

D245,748 S * 9/1977 Ostroll D32/61
D271,848 S * 12/1983 Tcherneshoff D6/315
D366,366 S * 1/1996 Restaino D6/315
D375,673 S * 11/1996 Schowalter D6/315
D476,815 S * 7/2003 Richter D3/328
D604,591 S * 11/2009 Snell D8/367
7,703,735 B2 * 4/2010 Fryer A47F 5/0006
24/372
D694,613 S * 12/2013 Miles D8/367
D695,094 S * 12/2013 Huang D8/367
D735,027 S * 7/2015 Fildan D9/415
9,107,544 B2 * 8/2015 Cittadino A47H 13/02
D755,529 S * 5/2016 Schlang D6/328
D766,707 S * 9/2016 Greenleaf D8/367
D767,289 S * 9/2016 Taylor D6/323
D774,317 S * 12/2016 Taylor D6/323
D793,747 S * 8/2017 Taylor D6/323
D798,695 S * 10/2017 Davison D8/367
D811,755 S * 3/2018 Taylor D6/323
9,975,682 B2 * 5/2018 Strassburger B65D 79/02
2015/0150389 A1 * 6/2015 Nilsson B25H 3/04
248/220.42

* cited by examiner

Primary Examiner — Lauren R Calve
(74) *Attorney, Agent, or Firm* — Renner, Otto, Boisselle & Sklar LLP

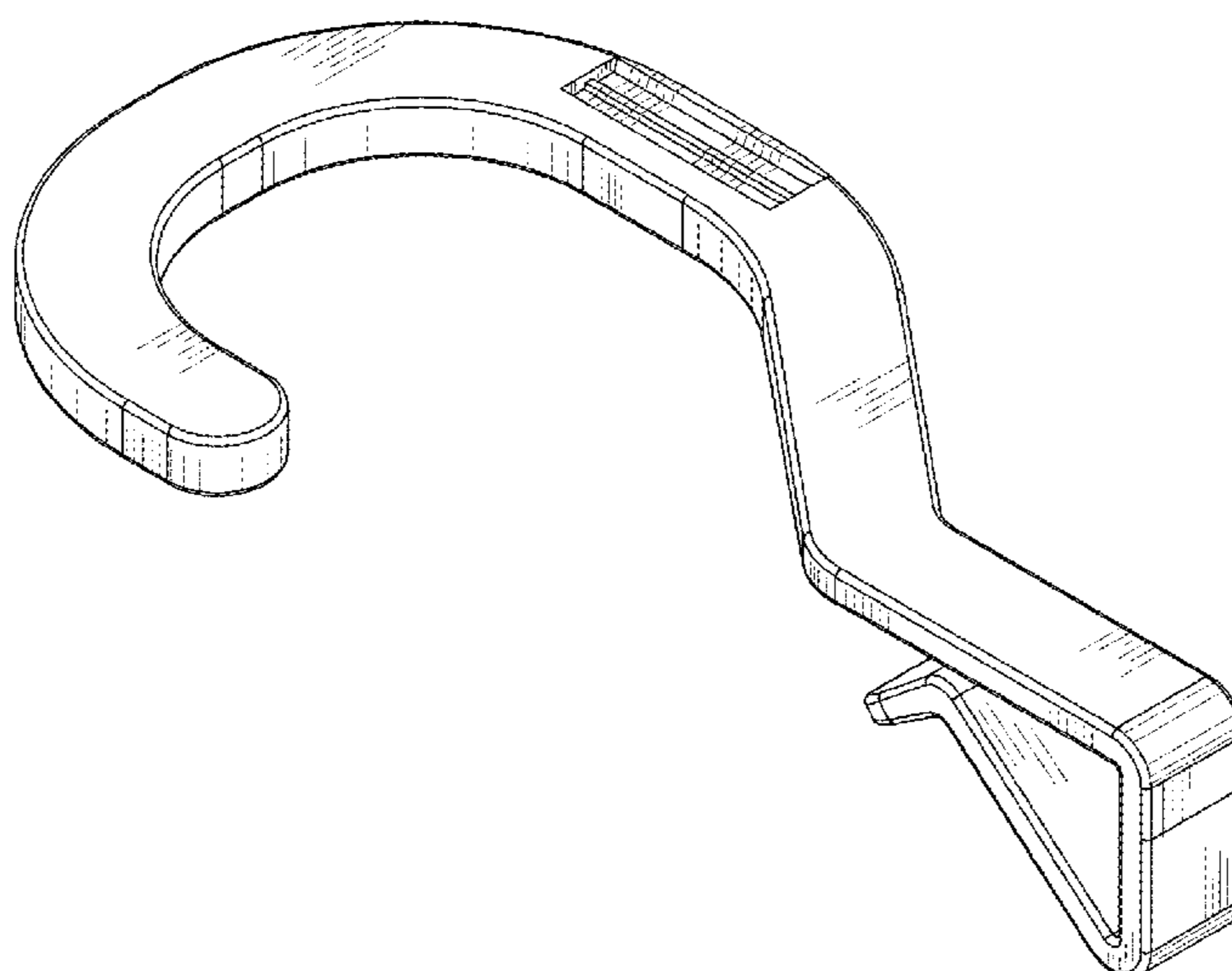
(57) **CLAIM**

The ornamental design for a clothes hanger, as shown and described.

DESCRIPTION

FIG. 1 is a perspective view of a clothes hanger showing our new design.
FIG. 2 is a front view thereof.
FIG. 3 is a rear view thereof.
FIG. 4 is a right view thereof.
FIG. 5 is a left view thereof.
FIG. 6 is a top view thereof; and,
FIG. 7 is a bottom view thereof.

1 Claim, 7 Drawing Sheets



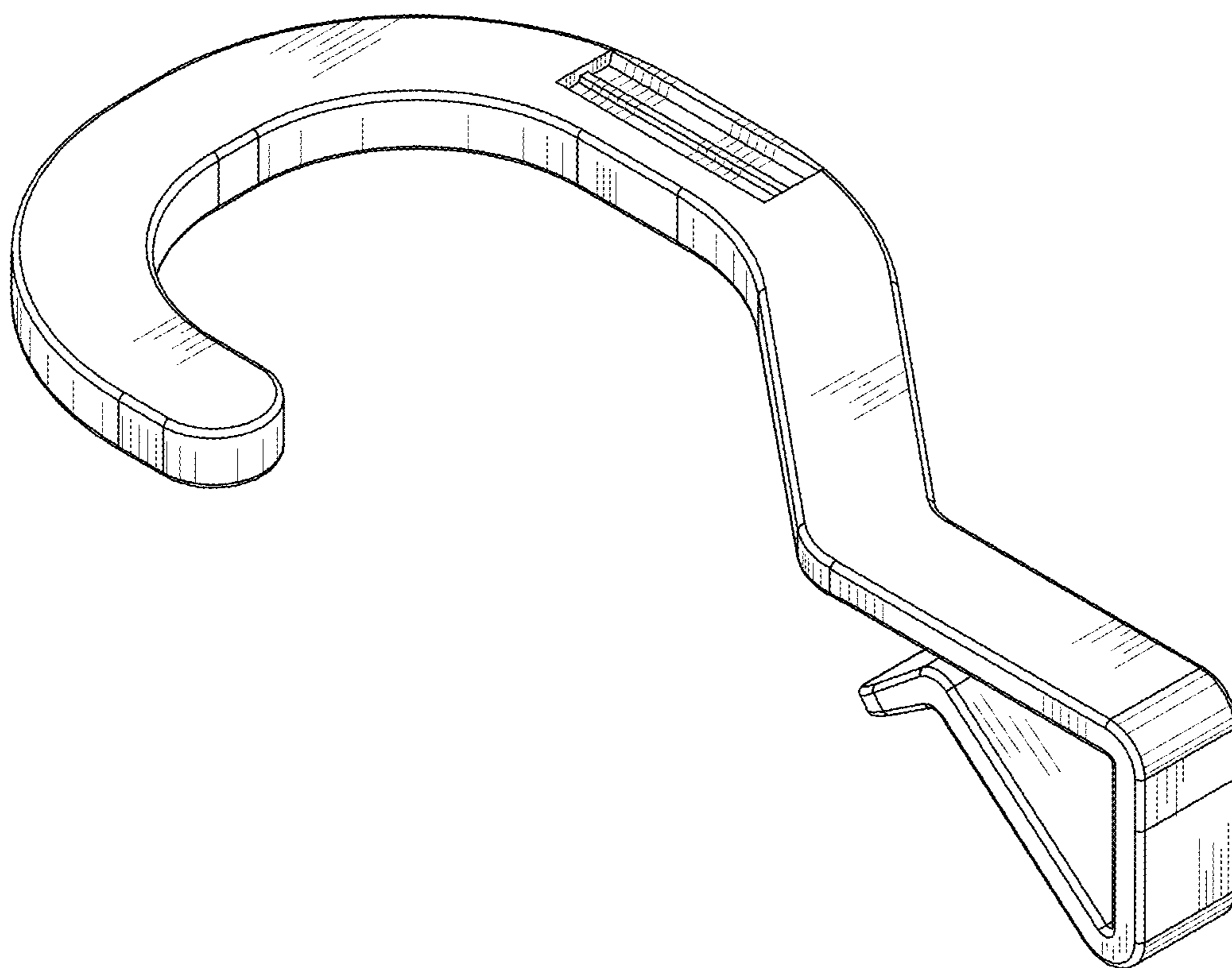


FIG. 1

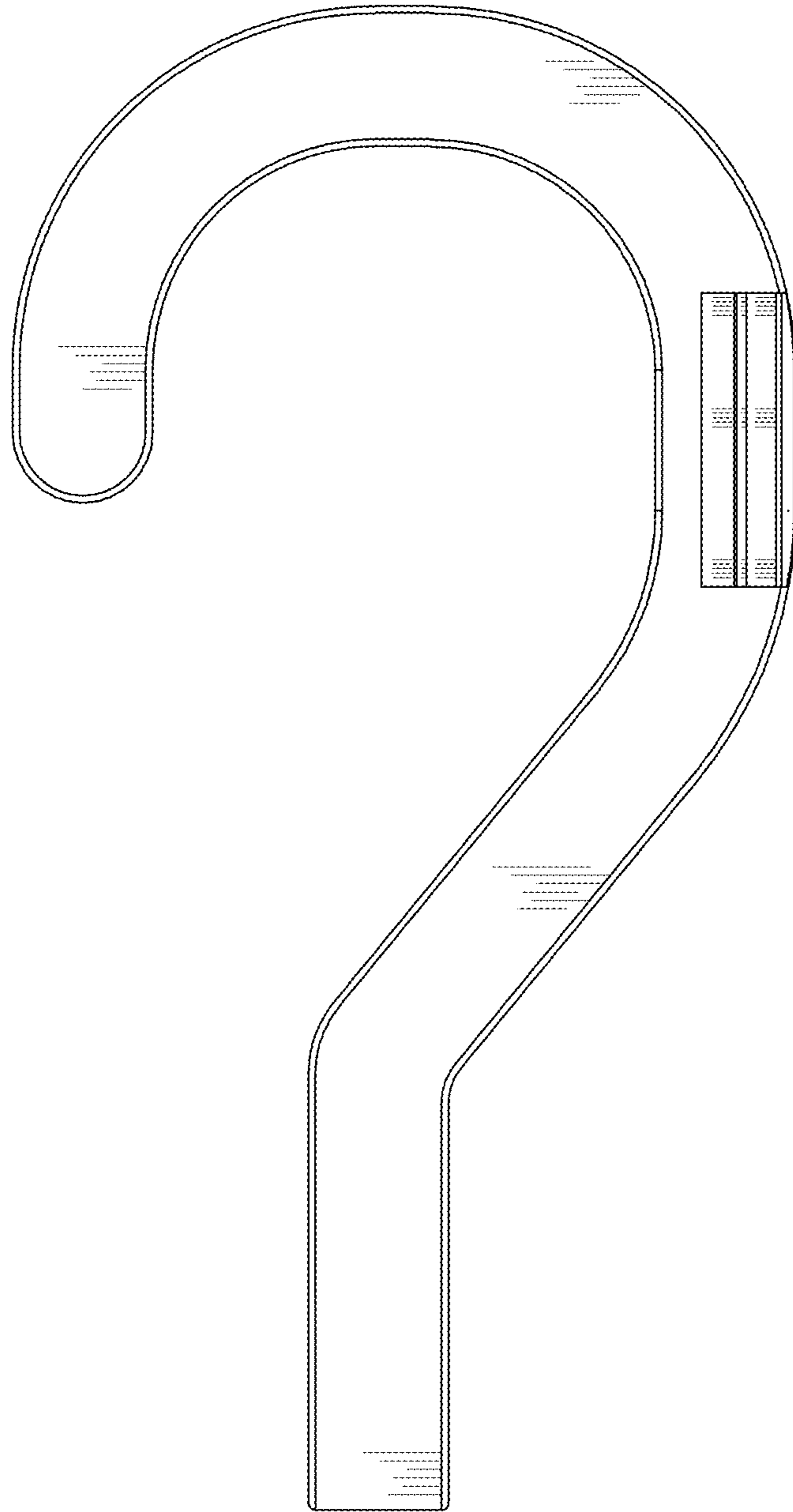


FIG. 2

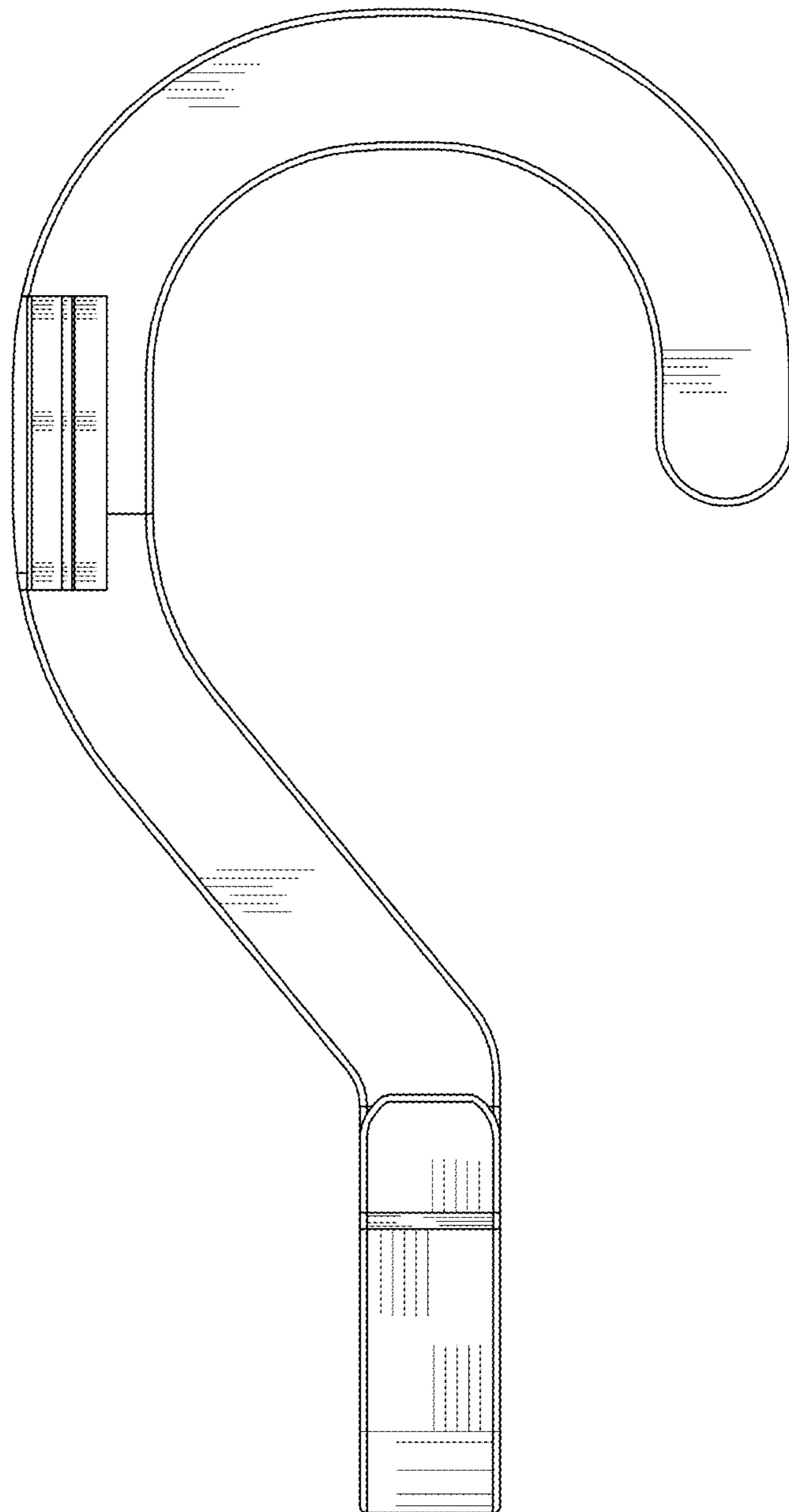


FIG. 3

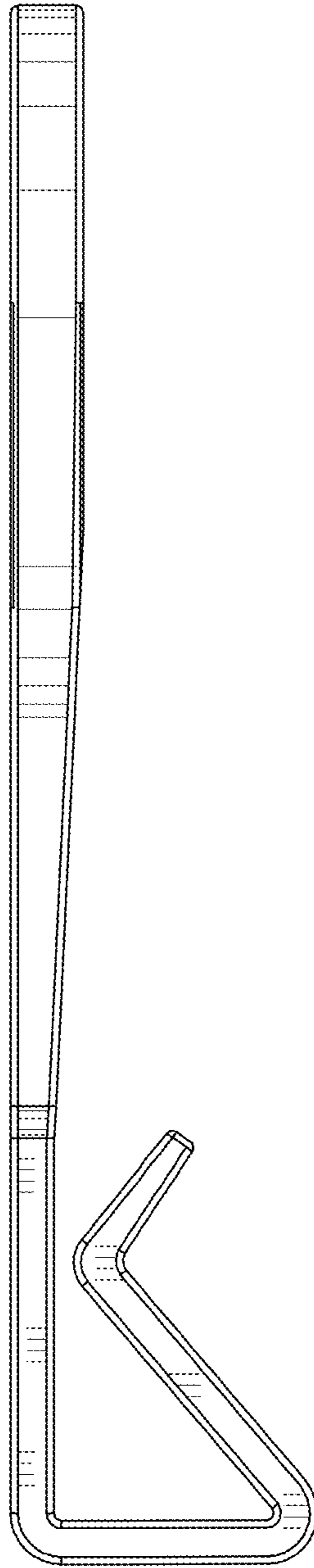


FIG. 4

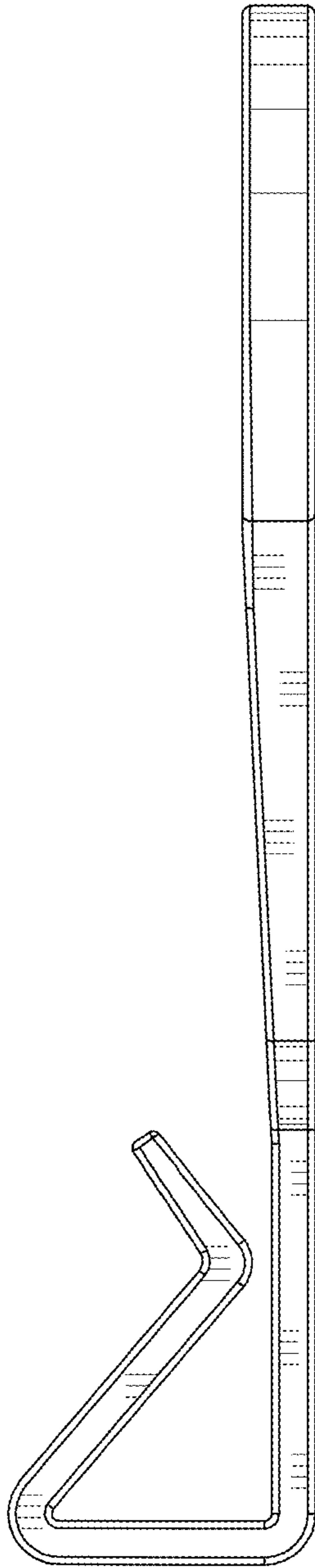


FIG. 5

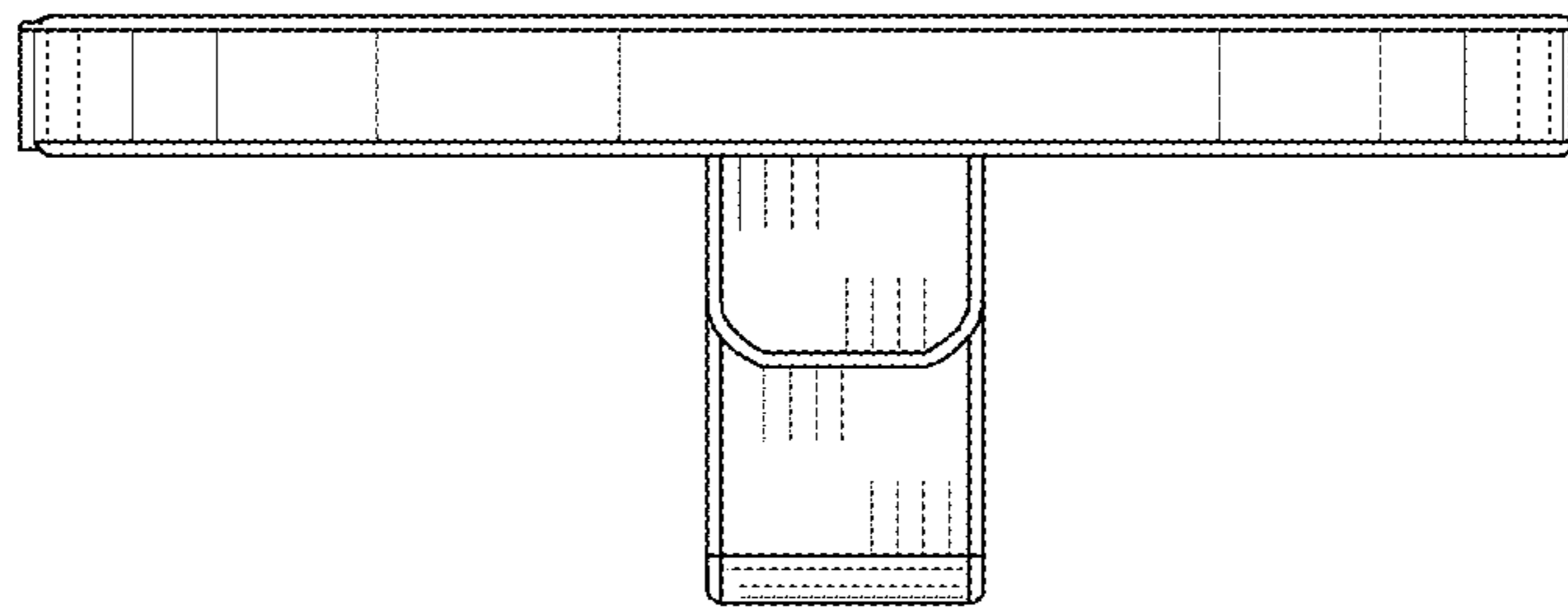


FIG. 6

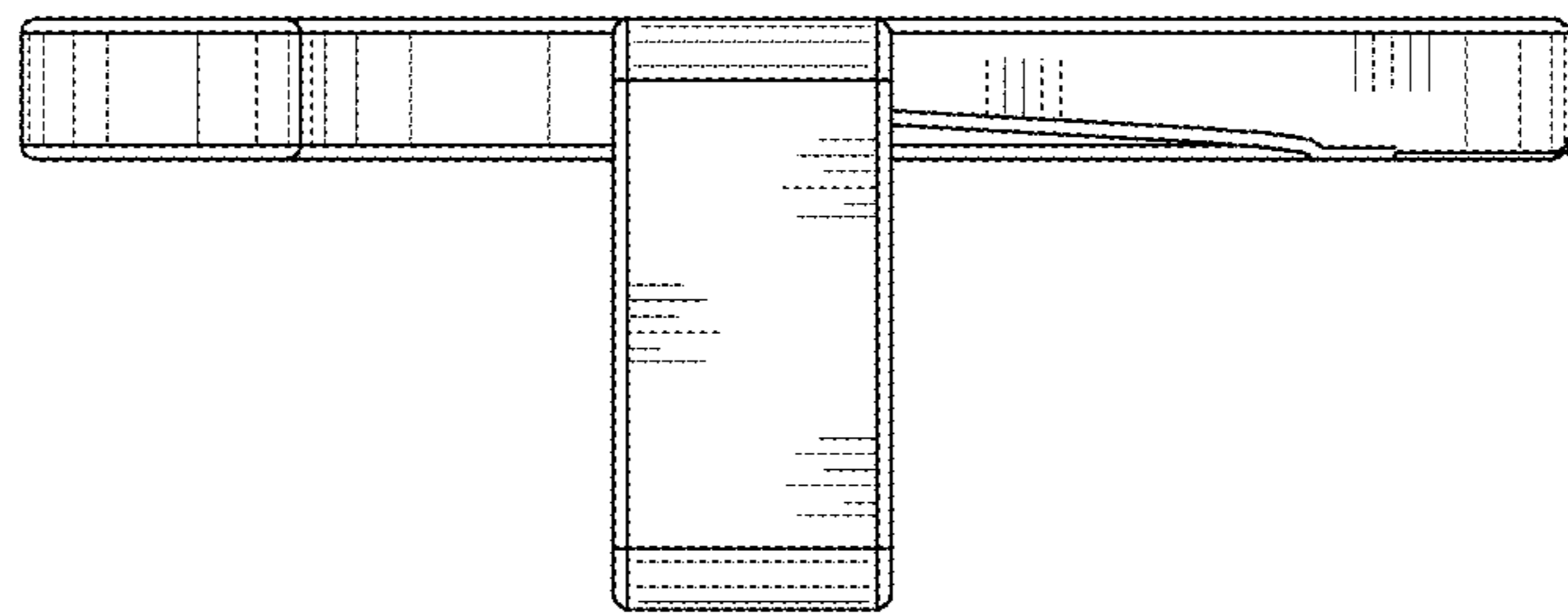


FIG. 7