



US00D834336S

(12) **United States Design Patent**
Mustafa et al.

(10) **Patent No.:** **US D834,336 S**

(45) **Date of Patent:** **** Nov. 27, 2018**

- (54) **WARDROBE CLOTHES HANGER**
- (71) Applicants: **Afzaal Mustafa**, Islamabad (PK);
Hamza Afzaal, Toronto (CA)
- (72) Inventors: **Afzaal Mustafa**, Islamabad (PK);
Hamza Afzaal, Toronto (CA)
- (**) Term: **15 Years**
- (21) Appl. No.: **29/616,948**
- (22) Filed: **Sep. 11, 2017**
- (51) **LOC (11) Cl.** **06-08**
- (52) **U.S. Cl.**
USPC **D6/315; D6/513**
- (58) **Field of Classification Search**
USPC D6/315, 327, 51, 513, 514
CPC A47G 25/0685; A47G 25/0614; A47G
25/06; A47G 29/00; A47G 25/0692;
A47G 25/743; D06F 57/12; D06F 57/06;
D06F 59/02
See application file for complete search history.

- 4,162,730 A * 7/1979 Steere, Jr. D06F 57/12
211/118
- 4,901,871 A * 2/1990 Ohm D06F 57/127
211/105.1
- 5,019,126 A 5/1991 Post
- D341,975 S * 12/1993 Winter D6/566
- D358,959 S * 6/1995 Herstedt D6/548
- D365,448 S * 12/1995 Travis D6/315
- 5,645,178 A 7/1997 Conley
- D382,434 S * 8/1997 Klein D6/315
- D393,961 S * 5/1998 Whitehead D20/10
- D416,731 S * 11/1999 Klein D6/548
- D492,868 S * 7/2004 Ayers D6/524

(Continued)

Primary Examiner — Lauren R Calve
(74) *Attorney, Agent, or Firm* — Global Intellectual
Property Agency, LLC; Daniel Boudwin

(57) **CLAIM**

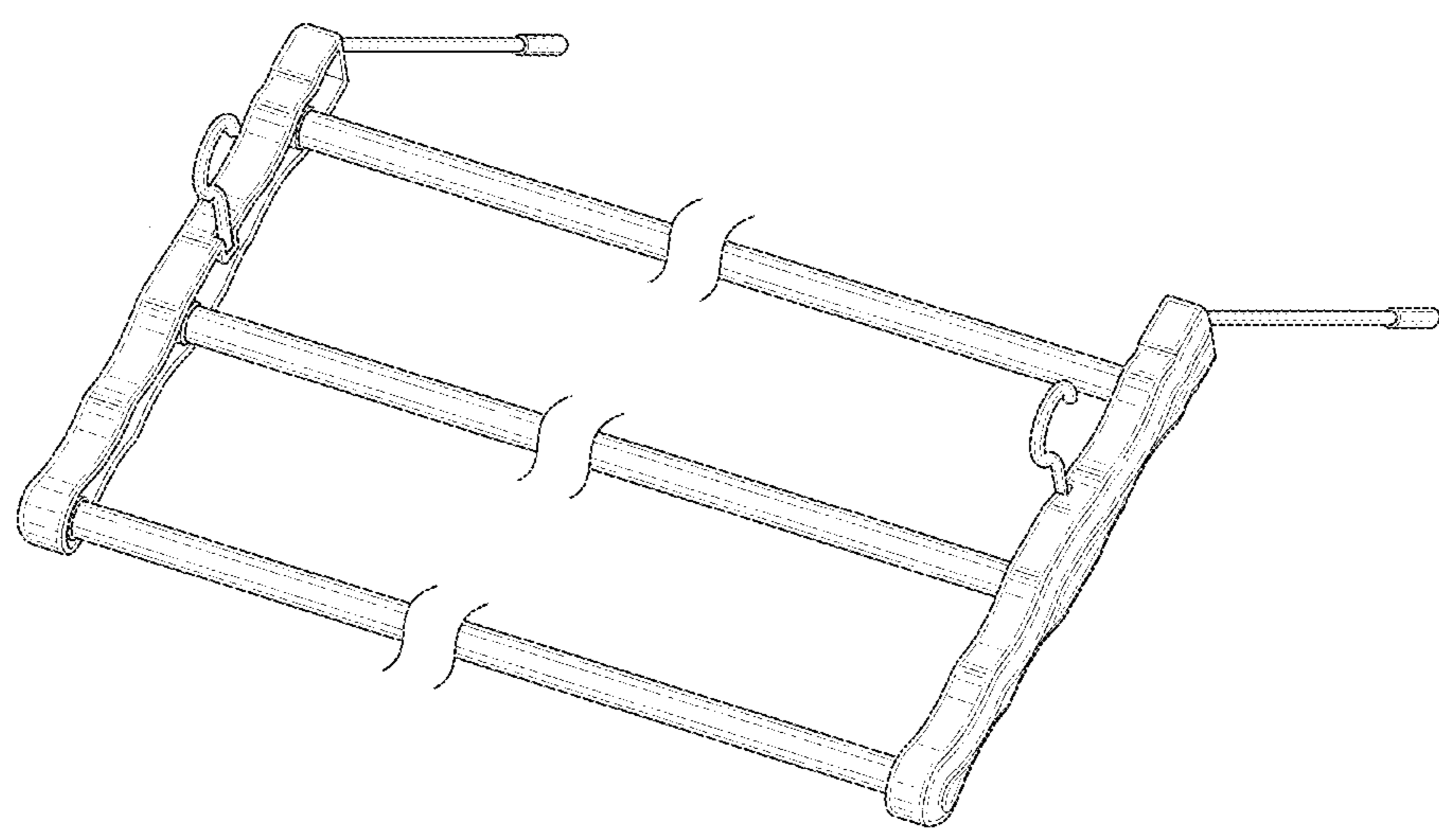
The ornamental design for a wardrobe clothes hanger, as shown and described.

DESCRIPTION

FIG. 1 is a perspective view of a wardrobe clothes hanger; FIG. 2 is a front elevation view thereof; FIG. 3 is a back elevation view thereof; FIG. 4 is a left side elevation view thereof; FIG. 5 is a right side elevation view thereof; FIG. 6 is a top plan view thereof; and, FIG. 7 is a bottom plan view thereof. The shade lines in the Figures show contour and not surface ornamentation. The broken lines shown in the drawings represent environmental effects or potential embodiments and do not form any part of the claimed design. The claim is shown with a symbolic break in its length. The appearance of any portion of the article between the break lines forms no part of the claimed design.

1 Claim, 7 Drawing Sheets

- (56) **References Cited**
U.S. PATENT DOCUMENTS
- 632,409 A * 9/1899 Hallowell A47F 7/08
211/35
- 2,198,584 A * 4/1940 Swably D06F 57/12
211/106
- 2,271,941 A * 2/1942 Kemmitt A47B 61/003
211/113
- 2,633,998 A * 4/1953 Derman A47G 25/08
108/135
- 2,635,764 A 4/1953 Mattocks
- 2,699,873 A * 1/1955 Brady A47F 7/24
211/113
- 2,956,689 A * 10/1960 Van Der Togt B29C 63/18
211/104
- D233,813 S * 12/1974 Shyffer D6/315
- 3,896,937 A * 7/1975 Christian A47G 25/06
211/113



(56)

References Cited

U.S. PATENT DOCUMENTS

D715,065 S * 10/2014 Grogan D6/323
9,492,025 B1 * 11/2016 Wu A47G 25/18
D783,307 S * 4/2017 Kuo D6/513

* cited by examiner

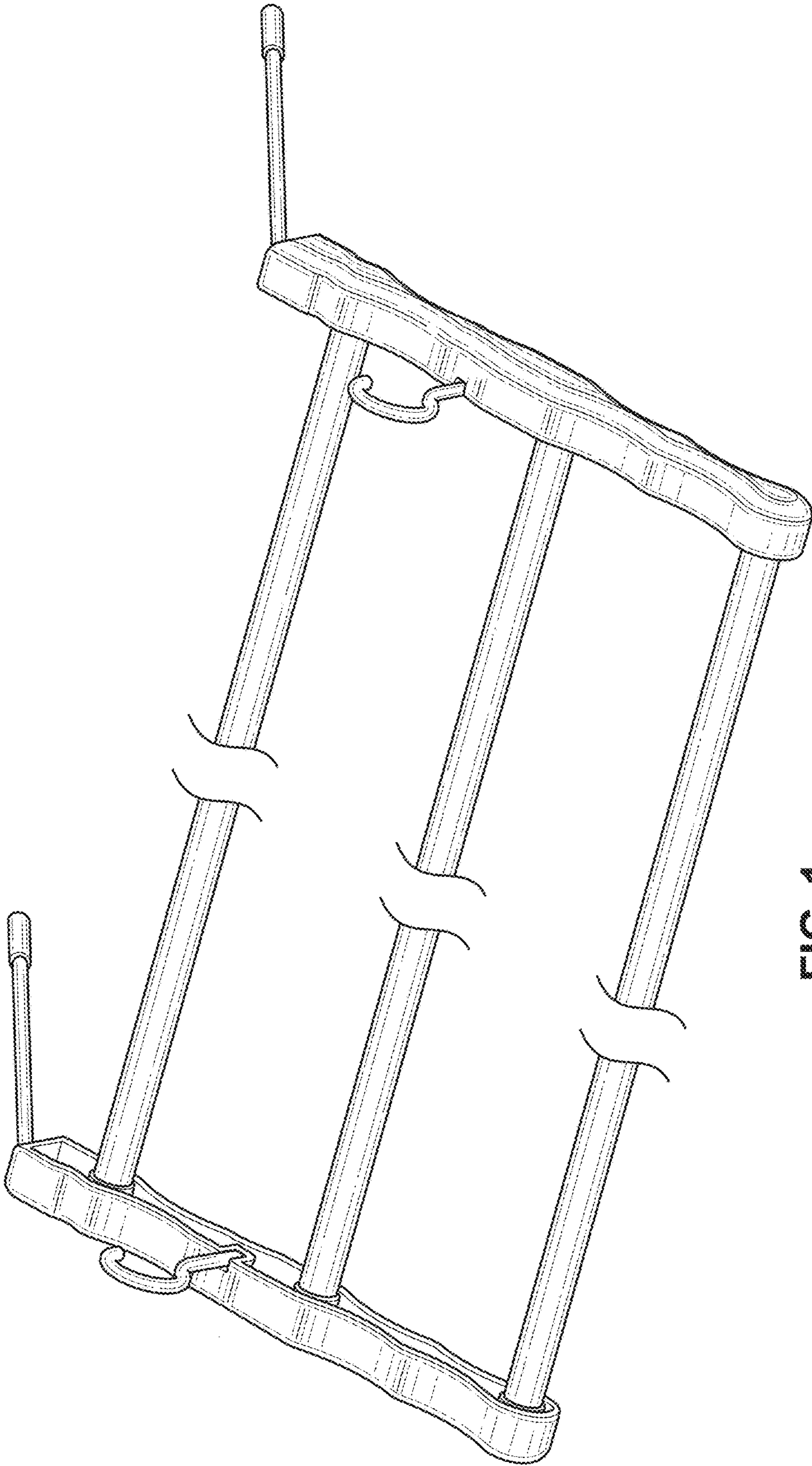


FIG. 1

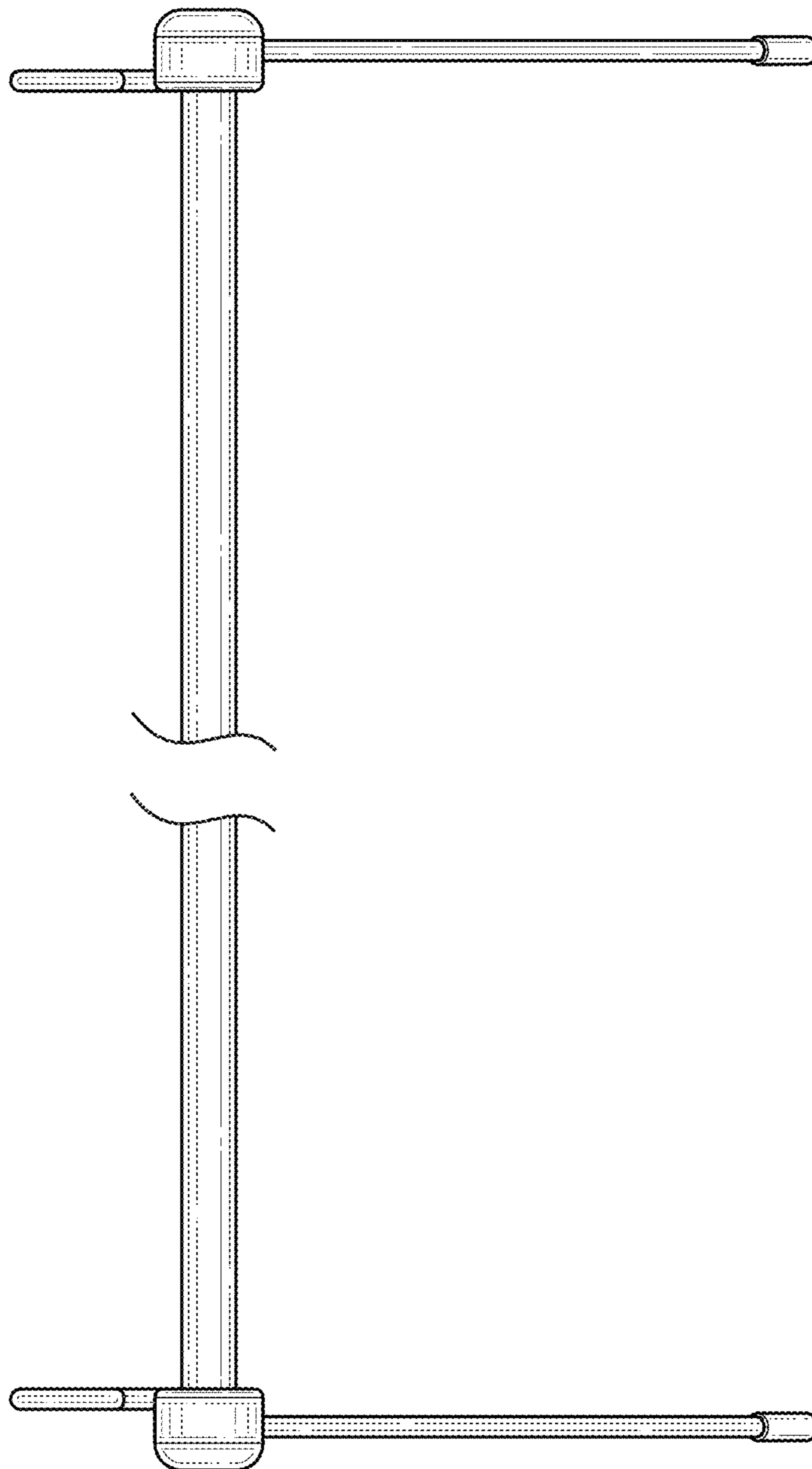


FIG. 2

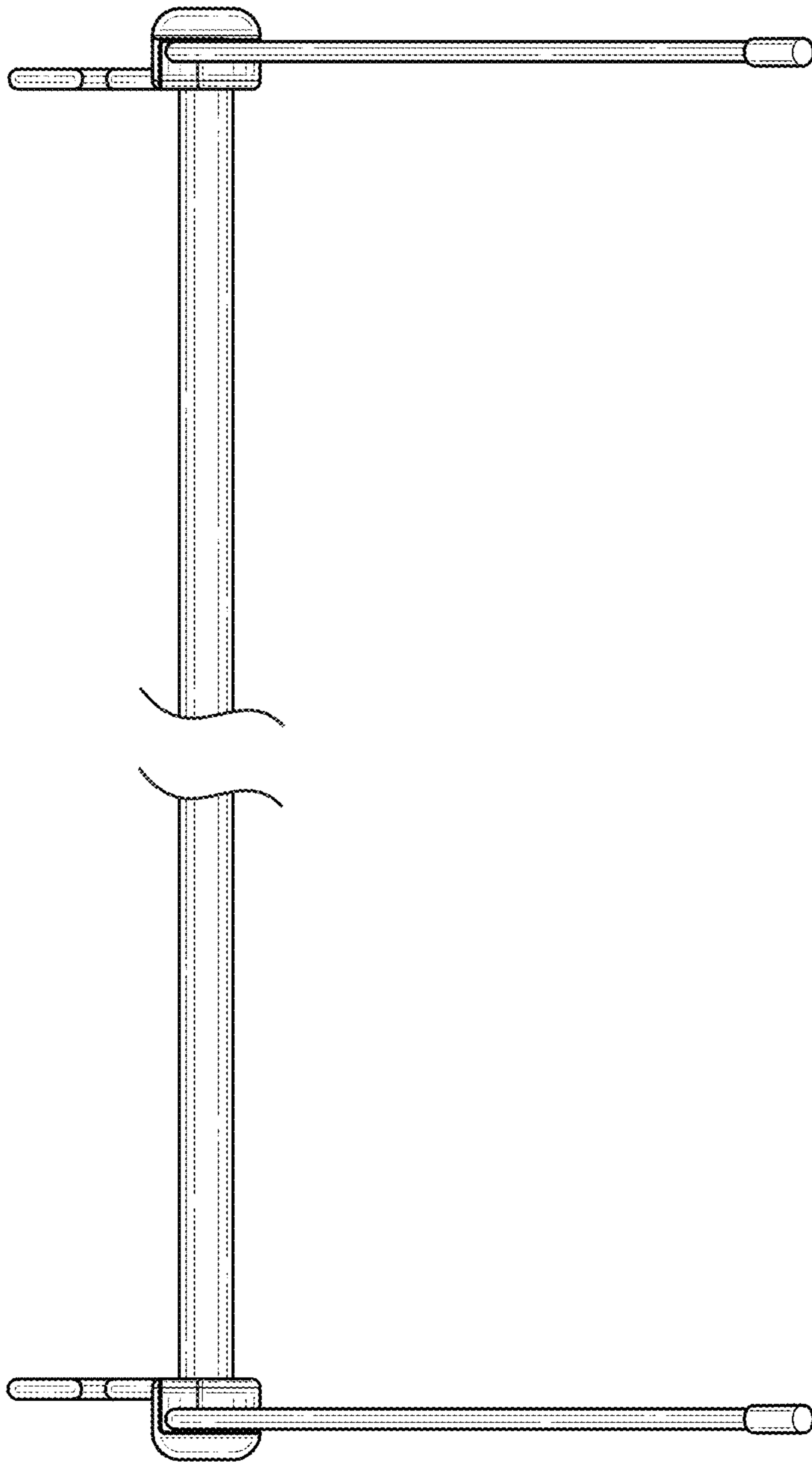


FIG. 3

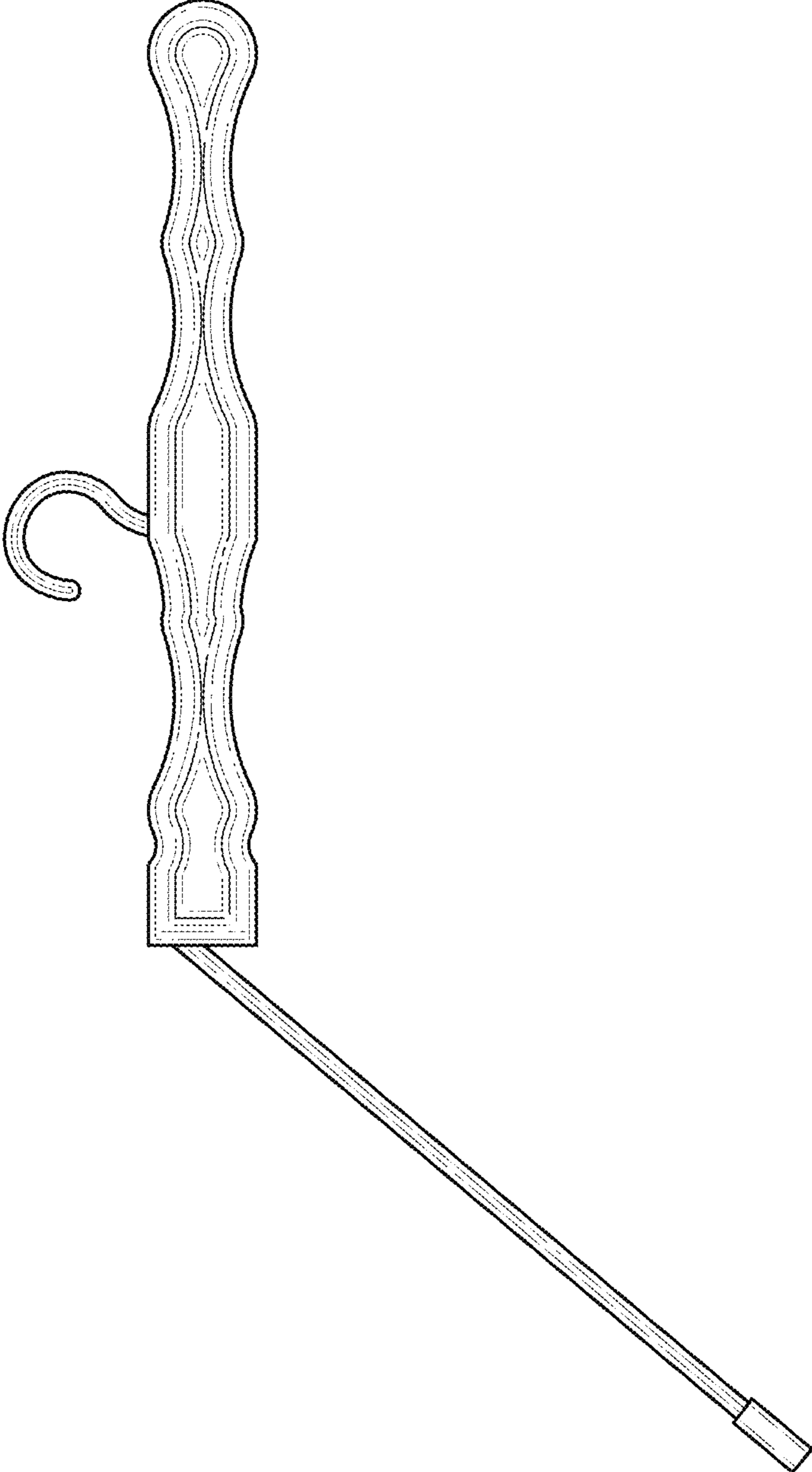


FIG. 4

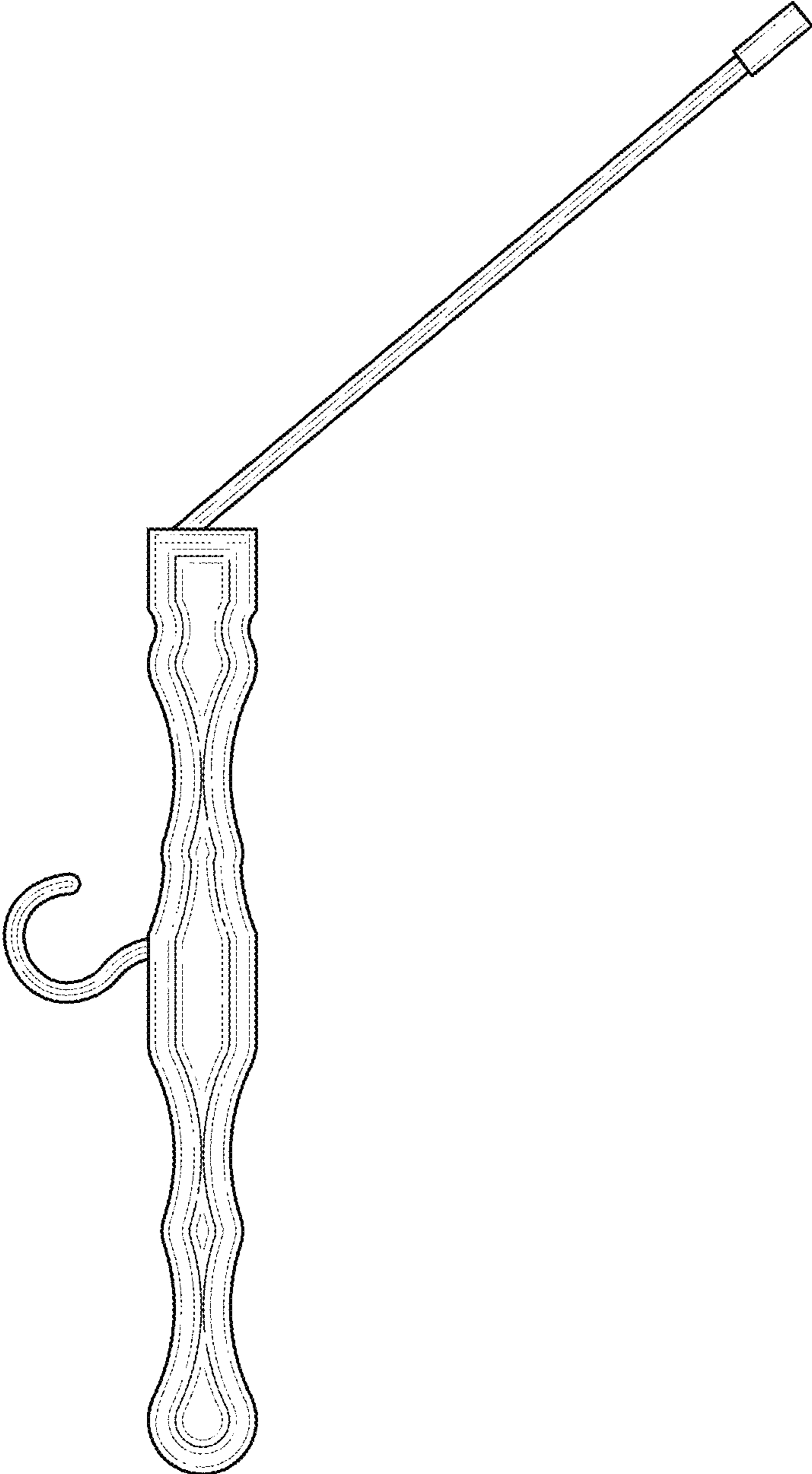
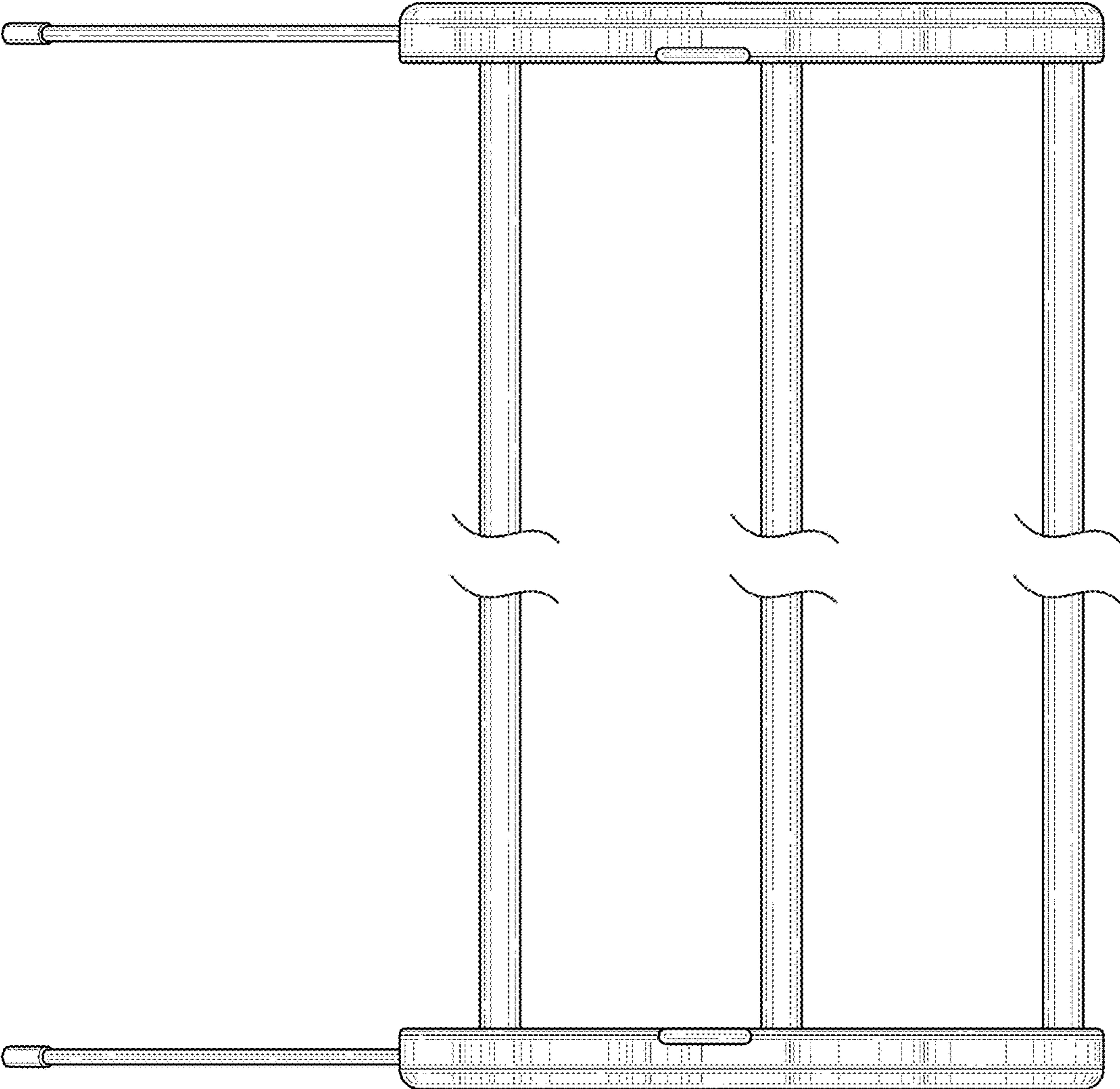


FIG. 5

FIG. 6



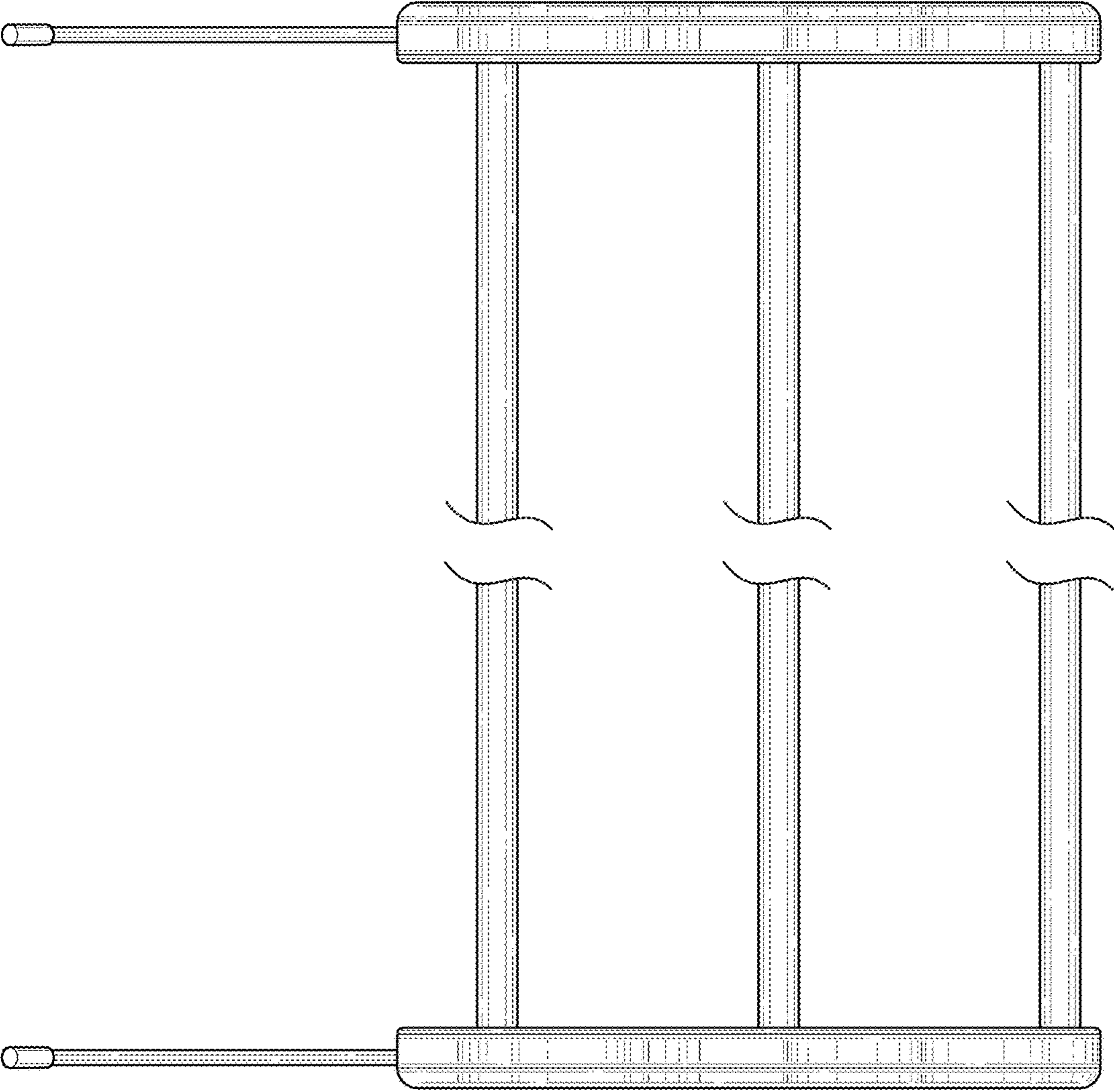


FIG. 7