



US00D834333S

(12) **United States Design Patent**
Krus

(10) **Patent No.:** **US D834,333 S**

(45) **Date of Patent:** **** Nov. 27, 2018**

(54) **PEELER/BRUSH**

(71) Applicant: **Taylor Precision Products, Inc.**,
Seattle, WA (US)

(72) Inventor: **Matthew Krus**, Seattle, WA (US)

(73) Assignee: **Taylor Precision Products, Inc.**,
Seattle, WA (US)

(**) Term: **15 Years**

(21) Appl. No.: **29/589,388**

(22) Filed: **Dec. 30, 2016**

(51) **LOC (11) Cl.** **04-99**

(52) **U.S. Cl.**
USPC **D4/199**

(58) **Field of Classification Search**
USPC D4/100-102, 127, 132, 134, 136, 138,
D4/130, 199; D24/146, 200, 214, 215;
D28/58, 63; 15/21.1, 22.1, 28, 29, 176.1,
15/176.4, 176.5, 176.6, 207.2; 601/109,
601/112, 114

CPC .. A46B 3/00; A46B 3/005; A46B 3/22; A46B
5/0095; A46B 7/00; A46B 7/04; A46B
7/042; A46B 7/06; A46B 7/08; A46B
9/00; A46B 9/005; A46B 9/02; A46B
9/06; A46B 13/00; A46B 13/008; A46B
13/02; A46B 13/023; A46B 13/026; A46B
13/04; A46B 13/08; A46B 15/0002; A46B
15/0022; A46D 1/00; A47K 7/00; A47K
7/02; A47K 7/04; A47K 7/043; A47L
23/06; A61H 7/00; A61H 7/003; A61H
7/005; A61H 2205/022

See application file for complete search history.

(56) **References Cited**

U.S. PATENT DOCUMENTS

D96,436 S * 7/1935 Wewetzer D4/130
D114,344 S * 4/1939 Muller-Munk 15/159.1

D269,565 S * 7/1983 Goldstaub D4/129
D409,336 S * 5/1999 Stein D28/63
D431,367 S * 10/2000 Burkhardt D4/129
D501,085 S * 1/2005 Hay D4/130
D538,473 S * 3/2007 Rhoades D28/7
D562,011 S * 2/2008 Meyer D4/130
D574,152 S * 8/2008 Holcomb D4/114
D601,351 S * 10/2009 Wales D4/130
D602,697 S * 10/2009 Chitayat D4/130
D660,600 S * 5/2012 Pottes D4/130
D679,909 S * 4/2013 Wales D4/124
D697,314 S * 1/2014 Tronconi D4/130
D697,317 S * 1/2014 Schouten D4/130
D753,399 S * 4/2016 Owen D4/100
D757,442 S * 5/2016 Waitesmith D4/127
D777,448 S * 1/2017 Saputo D4/119
D782,197 S * 3/2017 Kern D4/127
D792,034 S * 7/2017 Dornbierer D30/158
D814,805 S * 4/2018 Hwang D4/199

* cited by examiner

Primary Examiner — Austin Murphy

(74) *Attorney, Agent, or Firm* — Seed Intellectual
Property Law Group LLP

(57) **CLAIM**

The ornamental design for a peeler/brush, as shown and
described.

DESCRIPTION

FIG. 1 is a top, front perspective view of a brush showing my
new design.

FIG. 2 is a bottom, rear perspective view thereof.

FIG. 3 is a front elevational view thereof.

FIG. 4 is a rear elevational view thereof.

FIG. 5 is a right side elevational view thereof.

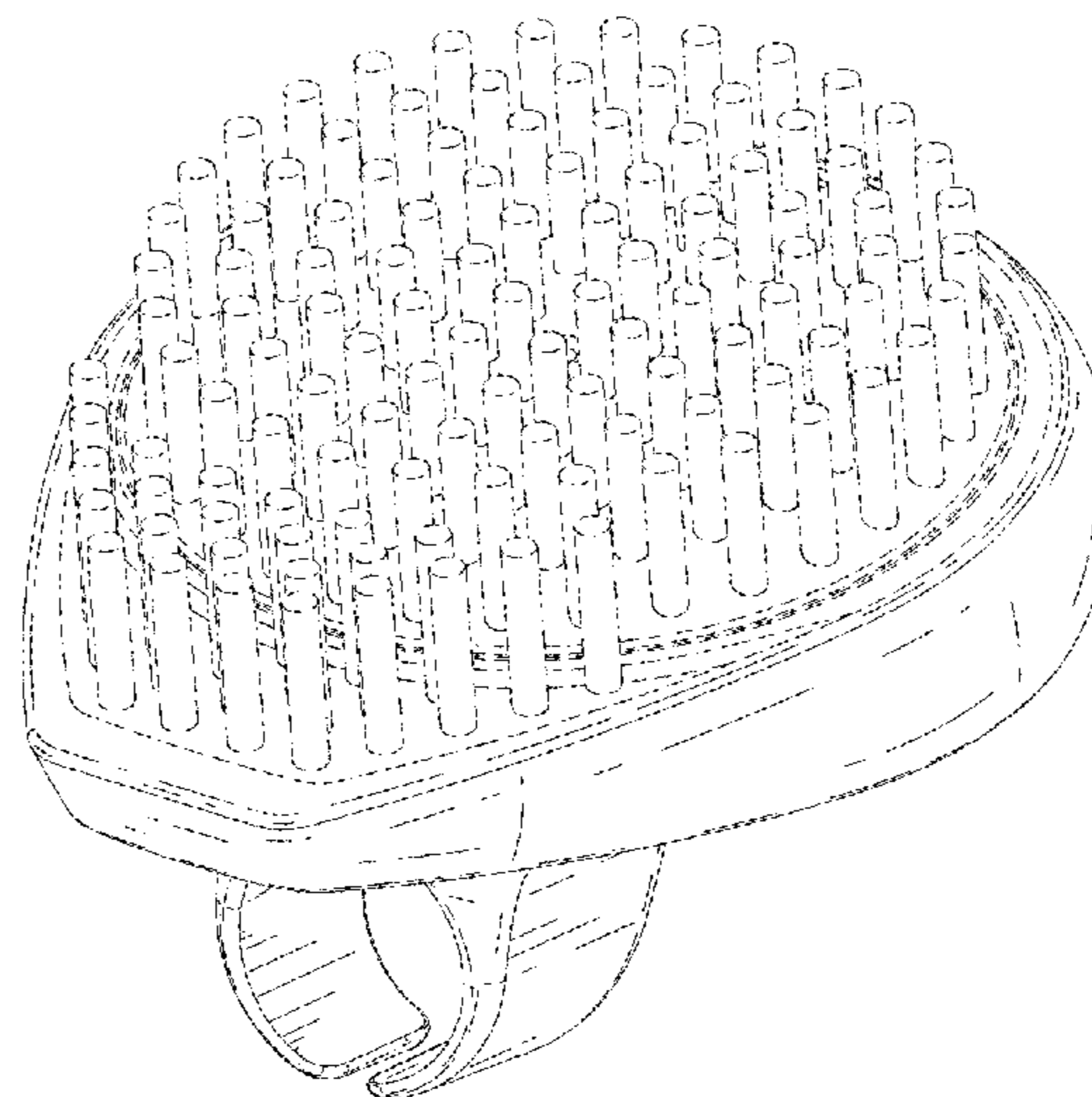
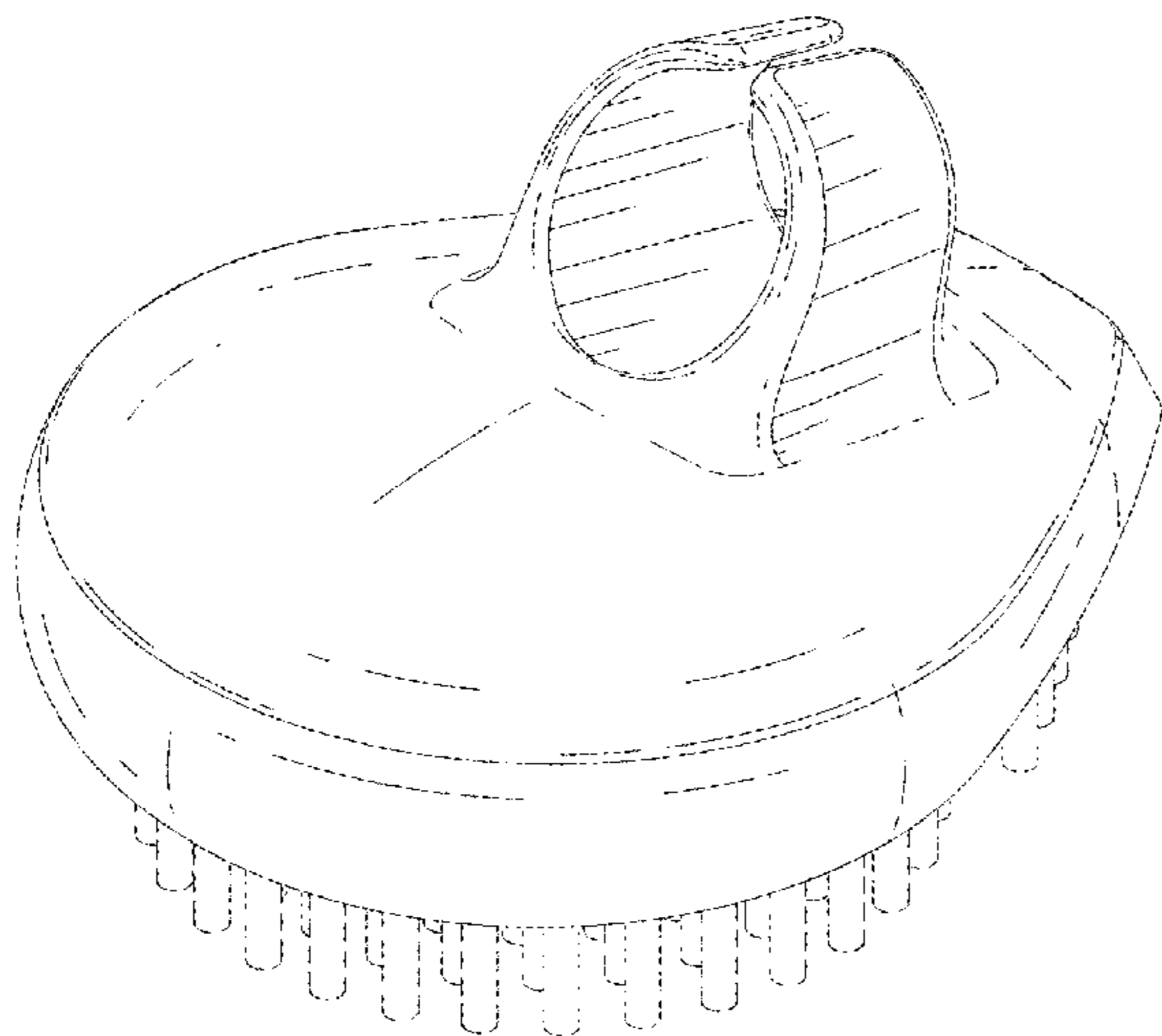
FIG. 6 is a left side elevational view thereof.

FIG. 7 is a top plan view thereof; and,

FIG. 8 is a bottom plan view thereof.

The broken lines in the figures designate areas forming no
part of the claimed design.

1 Claim, 5 Drawing Sheets



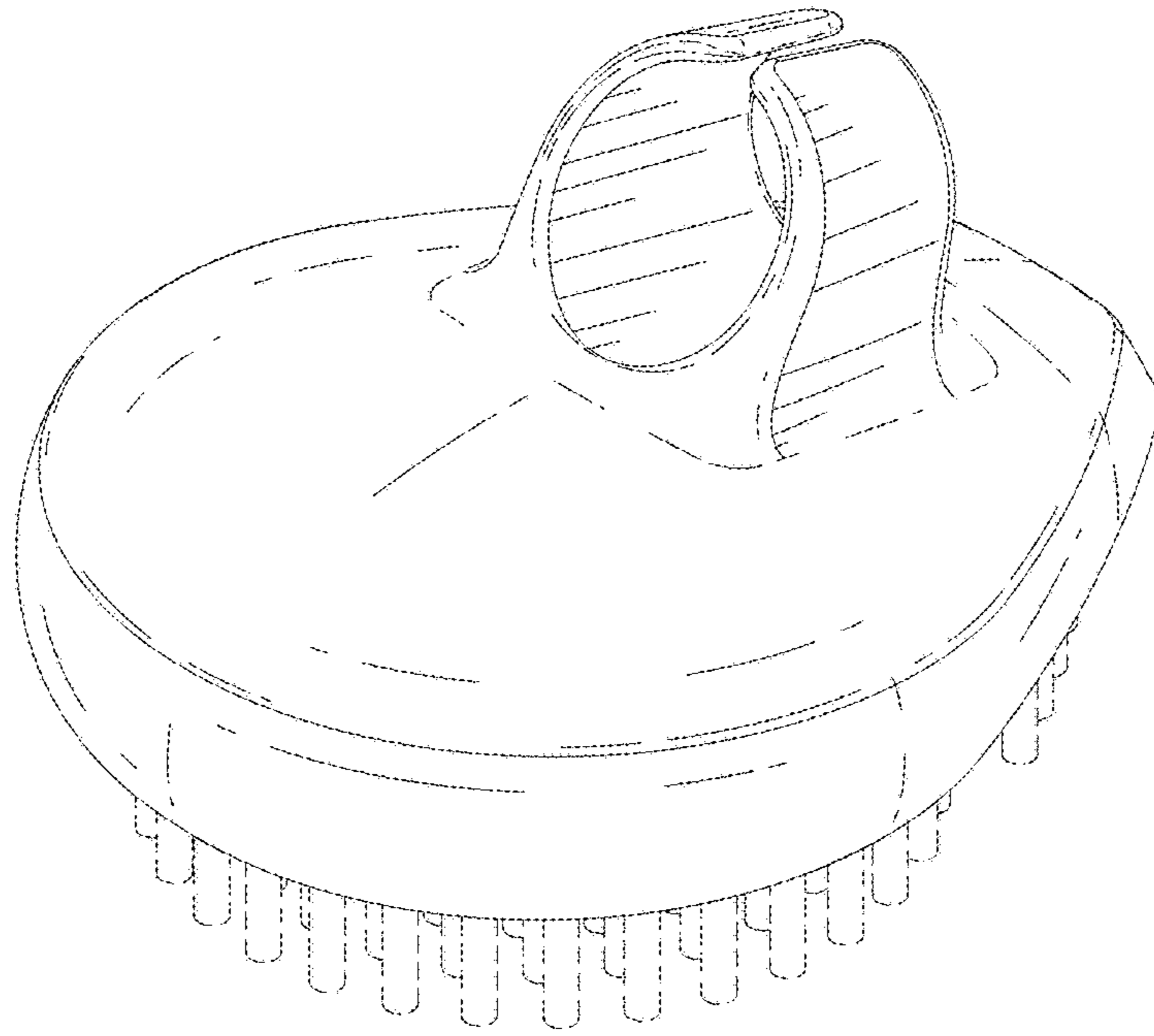


FIG. 1

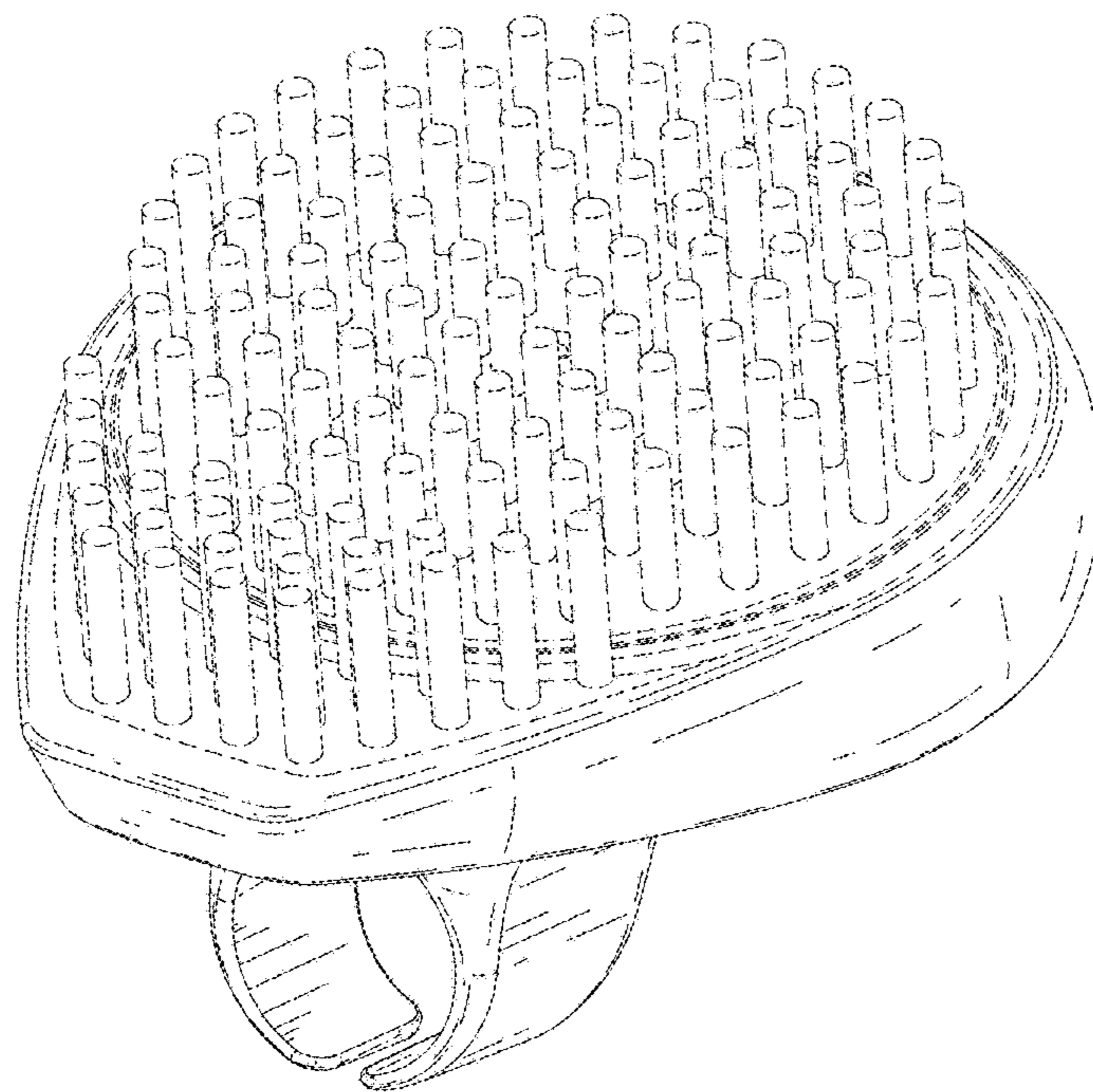


FIG. 2

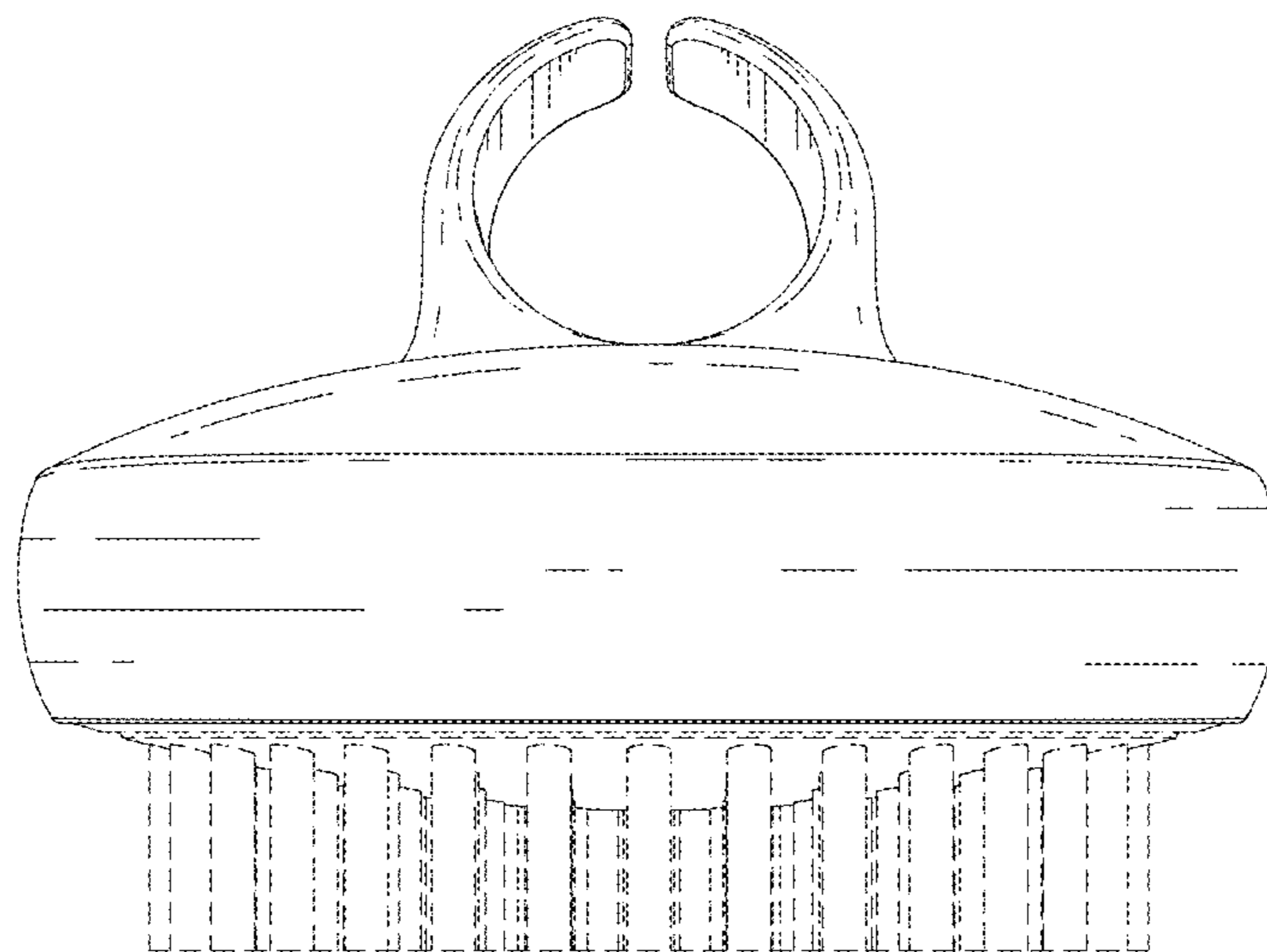


FIG. 3

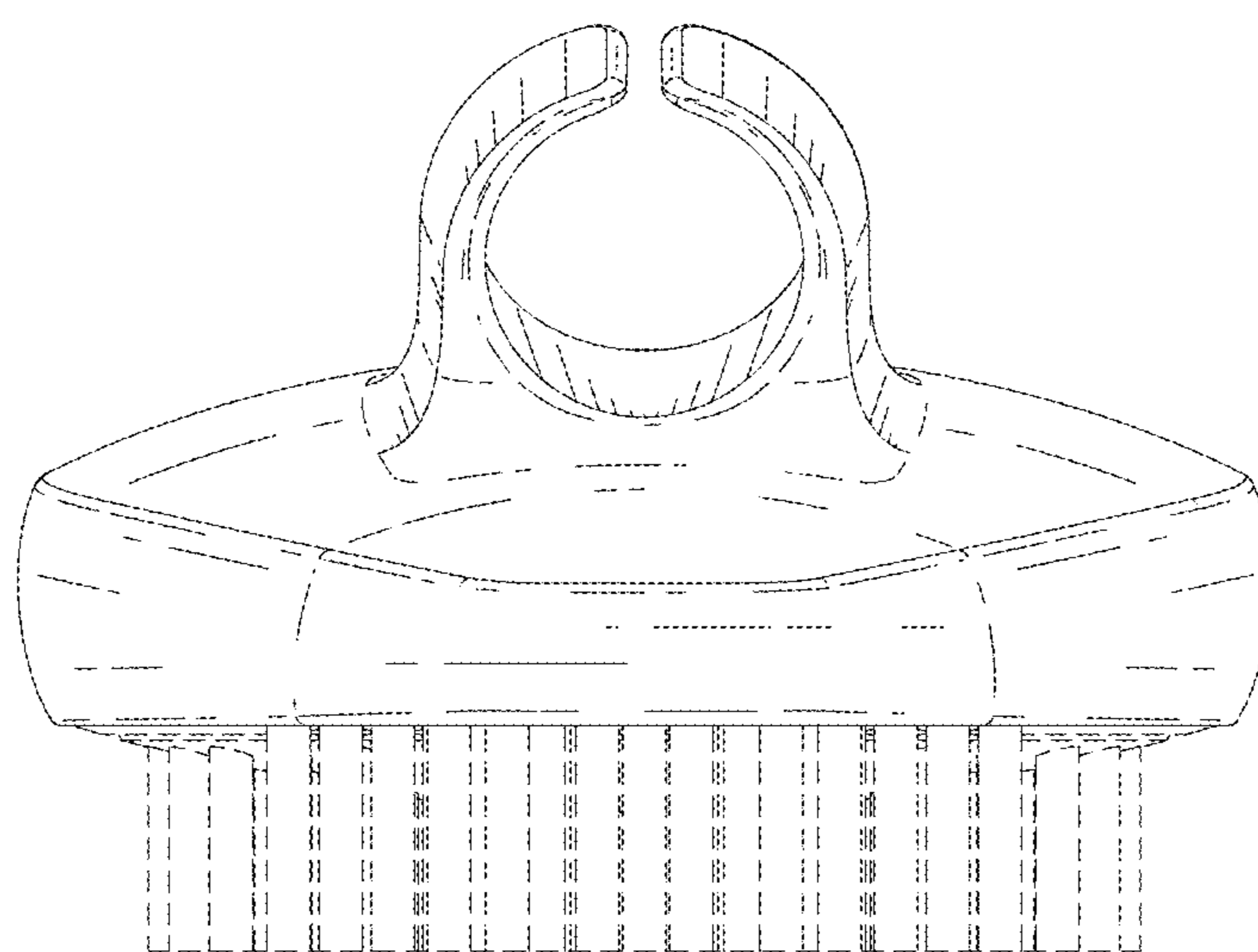


FIG. 4

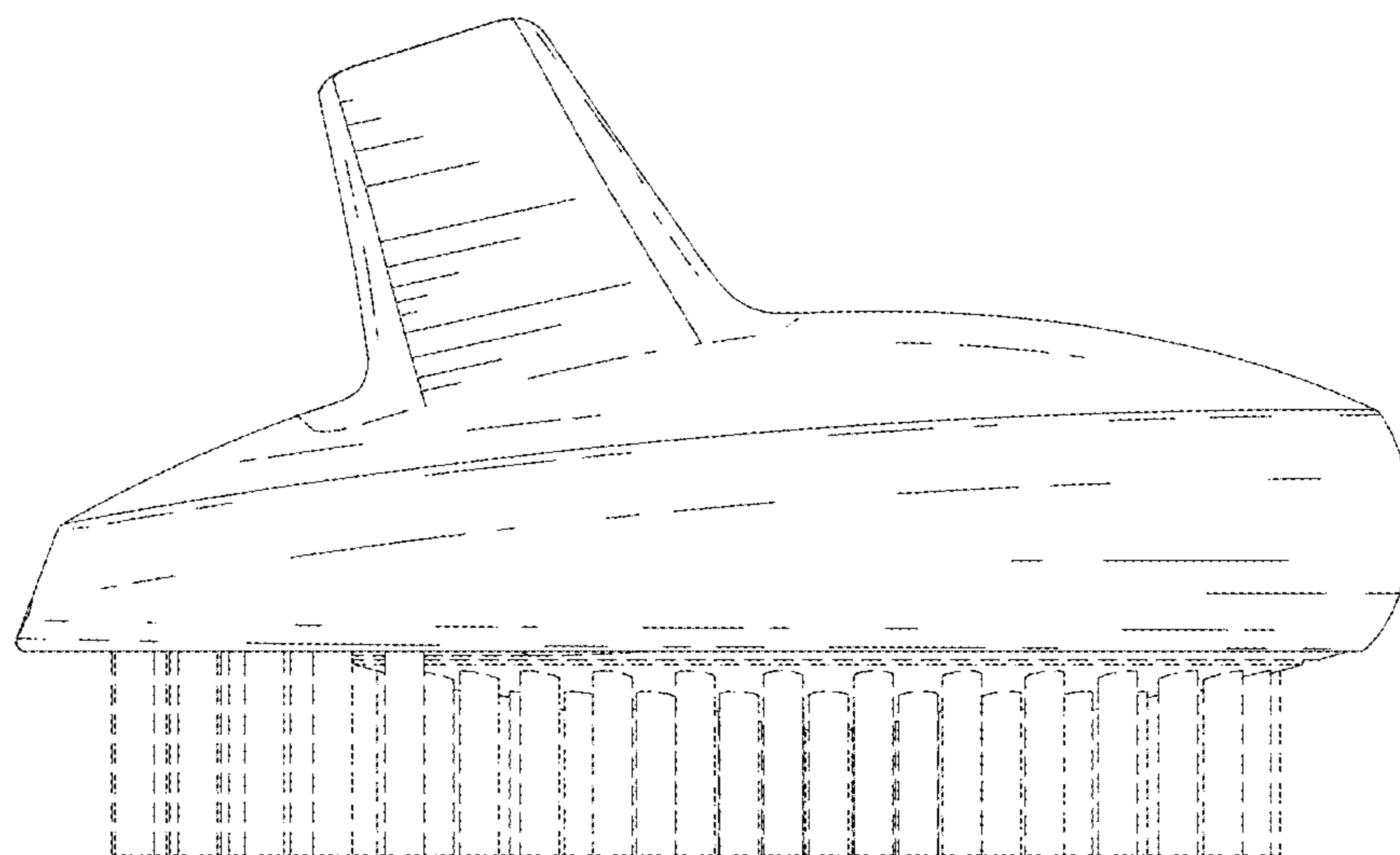


FIG. 5

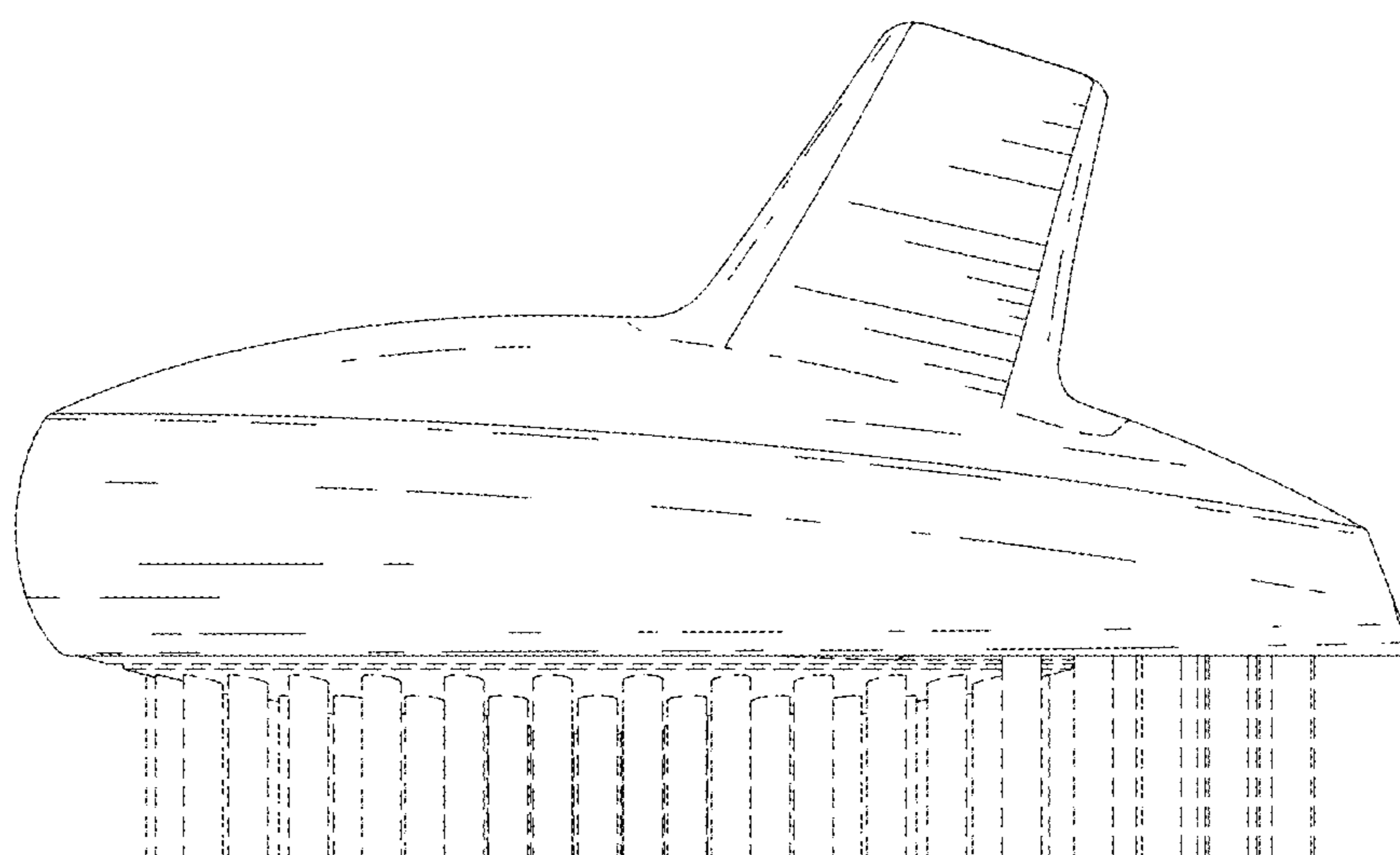


FIG. 6

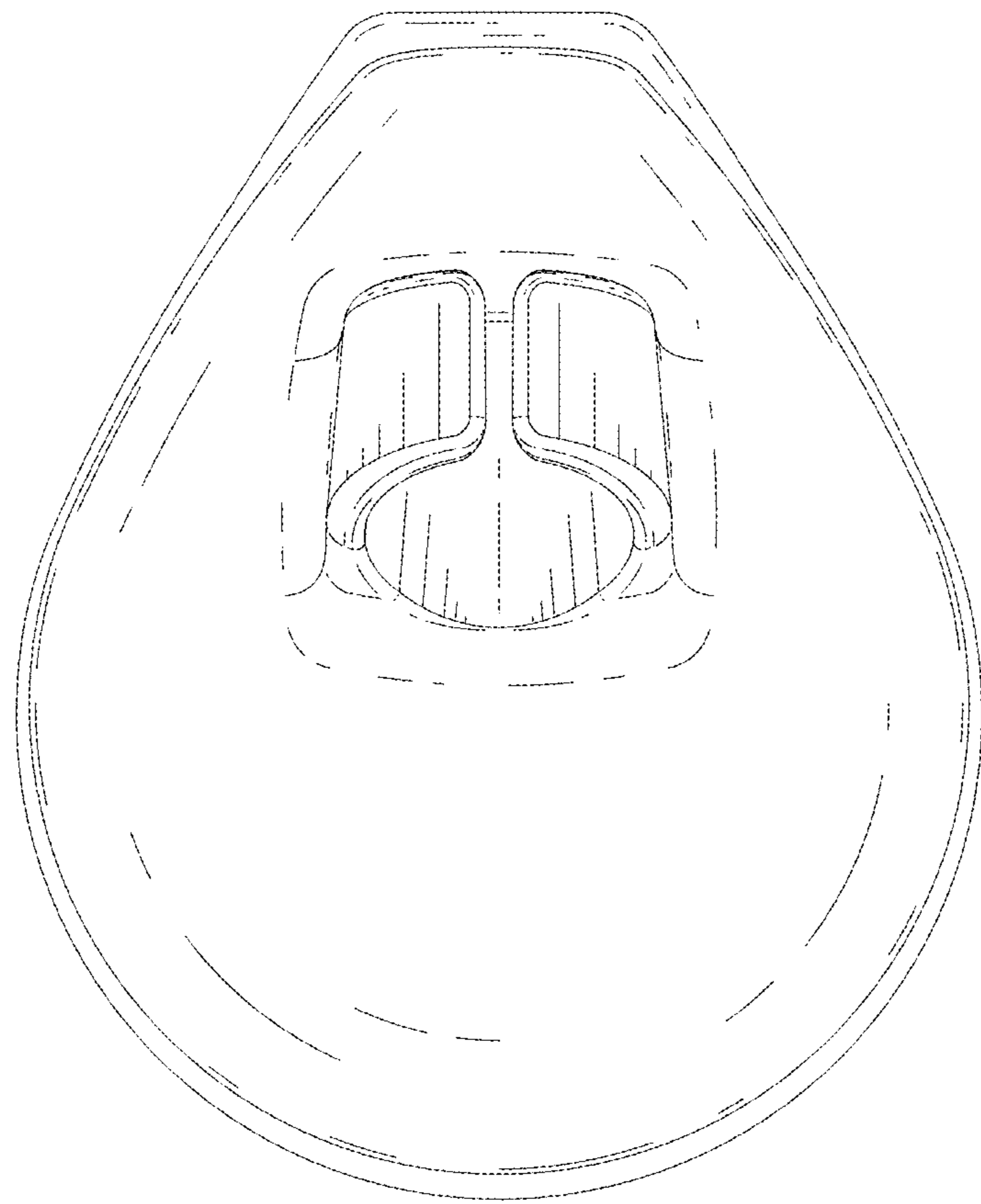


FIG. 7

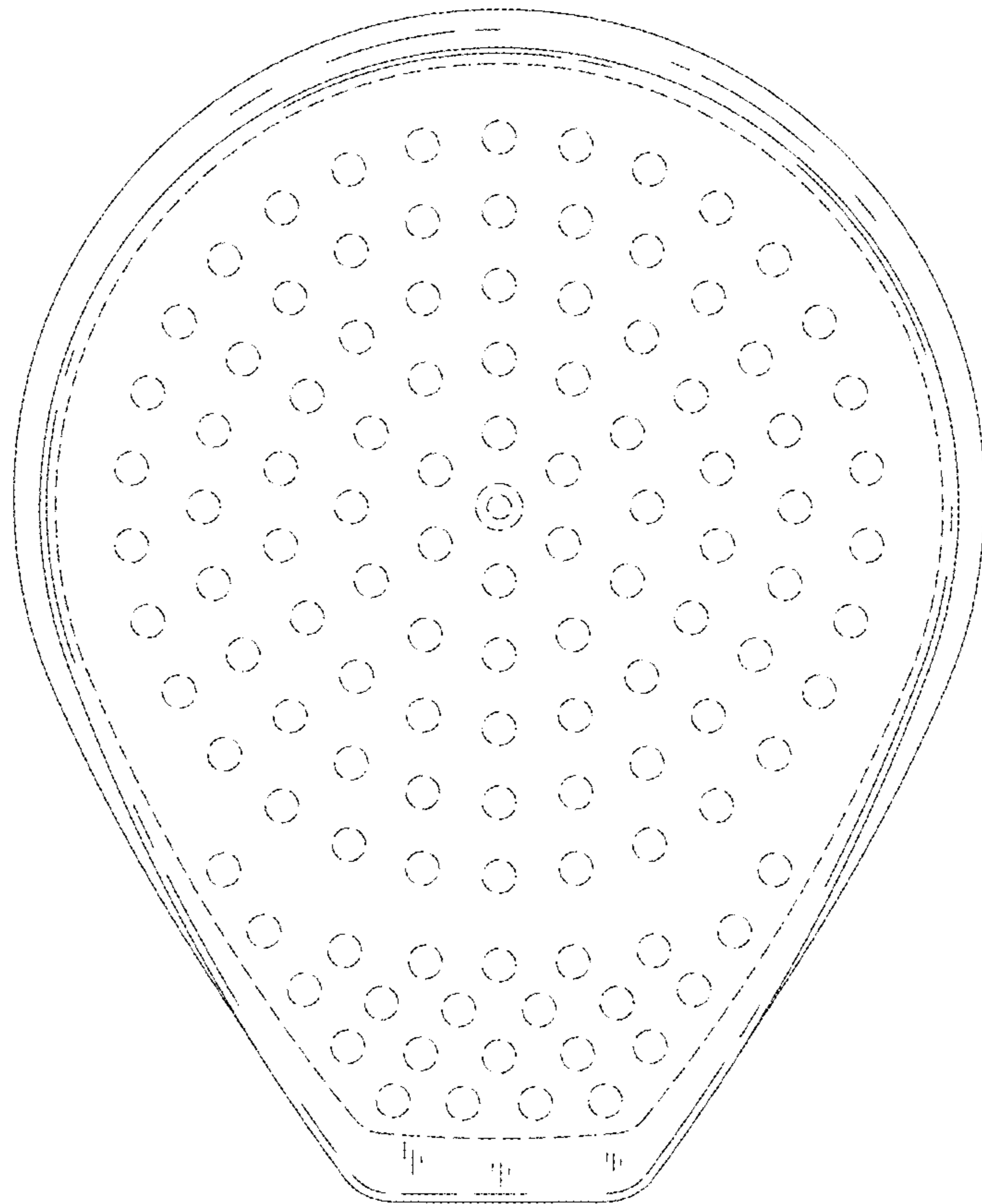


FIG. 8