



US00D834332S

(12) **United States Design Patent**  
**Chen**

(10) **Patent No.:** **US D834,332 S**

(45) **Date of Patent:** **\*\* Nov. 27, 2018**

(54) **HAIR BRUSH**

FOREIGN PATENT DOCUMENTS

(71) Applicant: **Ningbo Raffini Import & Export Co., Ltd.**, Ningbo (CN)

KR 3020150001375 \* 11/2015  
KR 300844991.0000 \* 3/2016  
KR 300865575.0000 \* 7/2016

(72) Inventor: **Qiwei Chen**, Ningbo (CN)

*Primary Examiner* — Karen E Eldridge Powers

(73) Assignee: **Ningbo Raffini Import & Export Co., Ltd.**, Ningbo (CN)

(74) *Attorney, Agent, or Firm* — Wang Law Firm, Inc.

(\*\*) Term: **15 Years**

(57) **CLAIM**

(21) Appl. No.: **29/614,313**

The ornamental design for a hair brush, as shown and described.

(22) Filed: **Aug. 17, 2017**

(51) **LOC (11) Cl.** ..... **04-02**

(52) **U.S. Cl.**

USPC ..... **D4/134**

(58) **Field of Classification Search**

USPC ..... D4/114, 115, 116, 117, 121, 122, 123, D4/127, 128, 129, 130, 131, 132, 133, D4/135, 136, 137, 138, 199; D24/211, D24/214, 215; D30/158, 159; D32/61

CPC ..... A46B 5/02; A46B 9/023; A46B 2200/104; A46B 9/028; A46D 1/0253; A46D 1/0284; A46D 1/0238; A45D 44/18

See application file for complete search history.

**DESCRIPTION**

FIG. 1 is a bottom plan view of a first embodiment showing my new design;

FIG. 2 is a top plan view thereof;

FIG. 3 is a right side elevation view thereof;

FIG. 4 is a left side elevation view thereof;

FIG. 5 is a rear elevation view thereof;

FIG. 6 is a front elevation view thereof;

FIG. 7 is a perspective view thereof;

FIG. 8 is a perspective view thereof with illustrative brush bristles;

FIG. 9 is a bottom plan view of a second embodiment showing my new design;

FIG. 10 is a top plan view thereof;

FIG. 11 is a right side elevation view thereof;

FIG. 12 is a left side elevation view thereof;

FIG. 13 is a rear elevation view thereof;

FIG. 14 is a front elevation view thereof;

FIG. 15 is a perspective view thereof; and,

FIG. 16 is a perspective view thereof with illustrative brush bristles.

The broken lines shown in the drawings illustrate features of the article of manufacture that form no part of the claimed design.

(56)

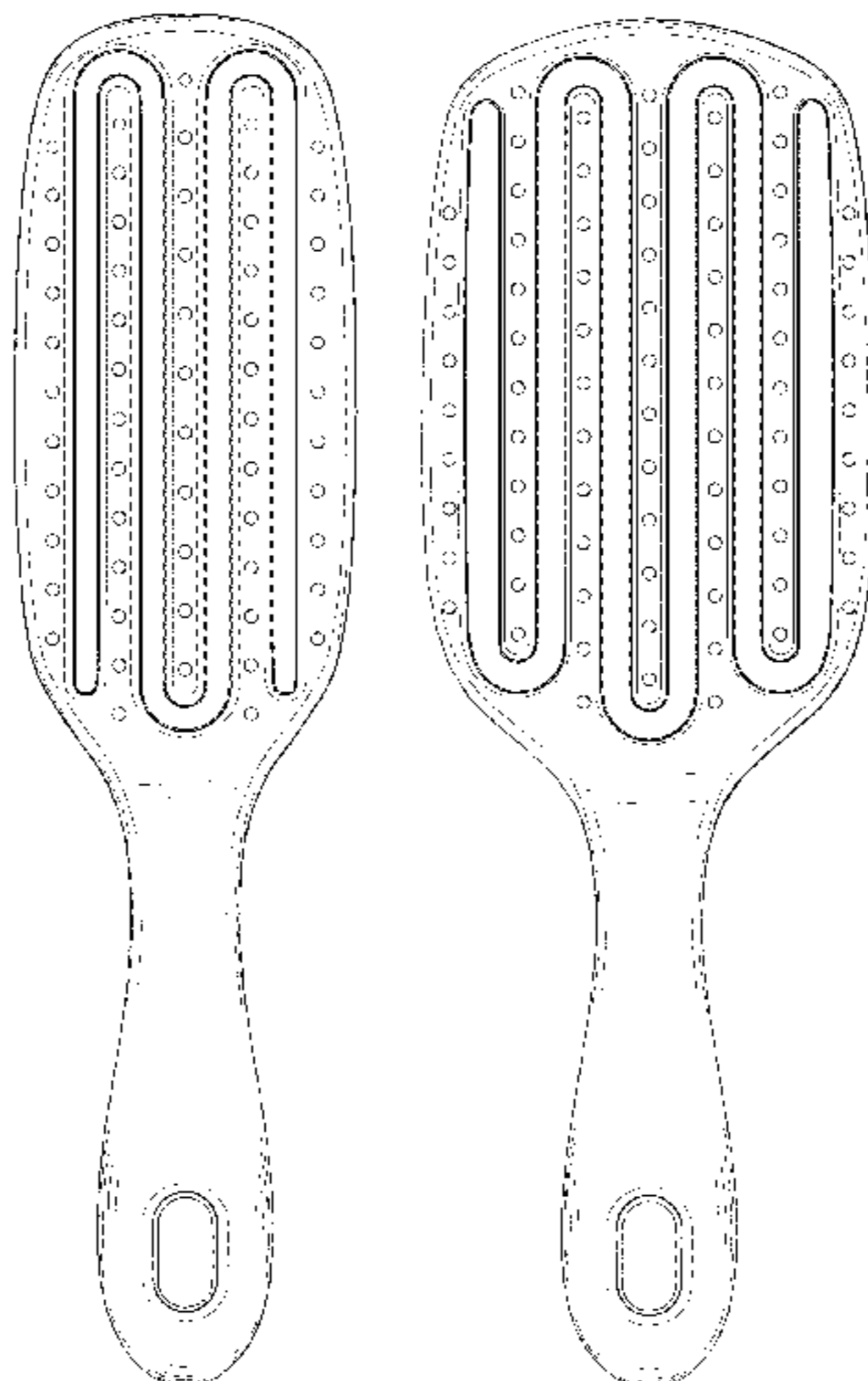
**References Cited**

U.S. PATENT DOCUMENTS

D26,973 S *	4/1897	Shepherd	.....	D4/134
614,335 A *	11/1898	Newman	.....	A46B 7/04 15/176.5
825,910 A *	7/1906	Kleinsorgen	.....	A46B 7/06 15/201
930,678 A *	8/1909	Moore	.....	A45D 24/02 132/126
1,671,334 A *	5/1928	White	.....	A46B 7/04 119/633
2,796,620 A *	6/1957	Bressler	.....	A46B 5/0025 15/201
D260,949 S *	9/1981	Megna	.....	15/187
D264,275 S *	5/1982	Megna	.....	15/187

(Continued)

**1 Claim, 12 Drawing Sheets**



(56)

**References Cited**

U.S. PATENT DOCUMENTS

7,797,782 B2 \* 9/2010 Davis ..... A45D 24/00  
15/143.1  
8,857,005 B2 \* 10/2014 Shim ..... A46B 15/00  
132/119  
D739,660 S \* 9/2015 Rennette ..... D4/138  
D750,896 S \* 3/2016 Park ..... D4/136  
9,402,460 B2 \* 8/2016 Hickey ..... A46B 9/023  
D781,598 S \* 3/2017 Treeby ..... D4/136  
D783,292 S \* 4/2017 Chang ..... D4/128  
D798,607 S \* 10/2017 Park ..... D4/138  
D820,602 S \* 6/2018 Yoon ..... D4/138  
D826,567 S \* 8/2018 Yan ..... D4/100

\* cited by examiner

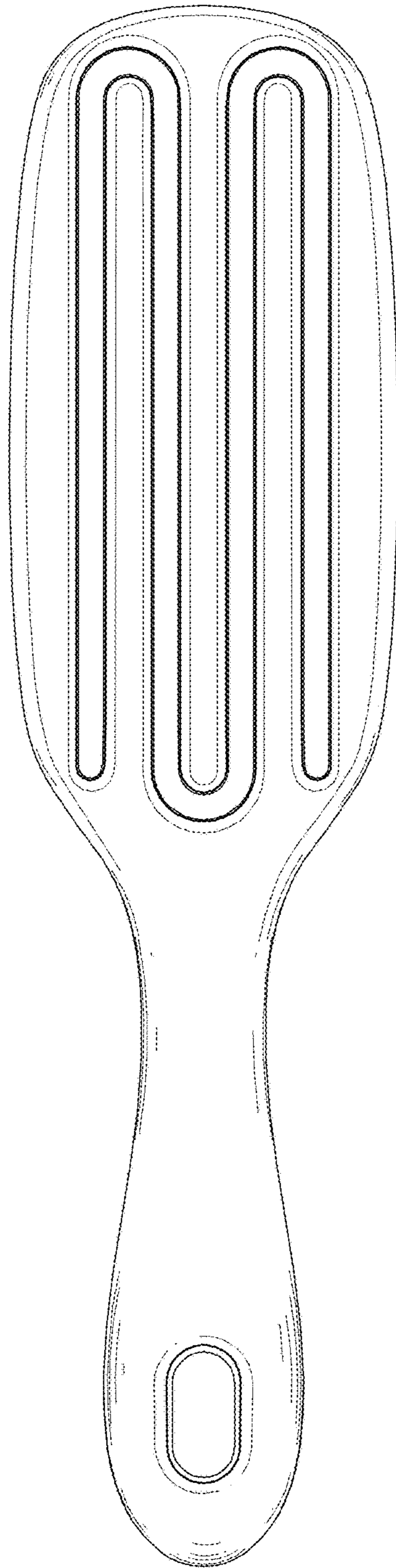


FIG. 1

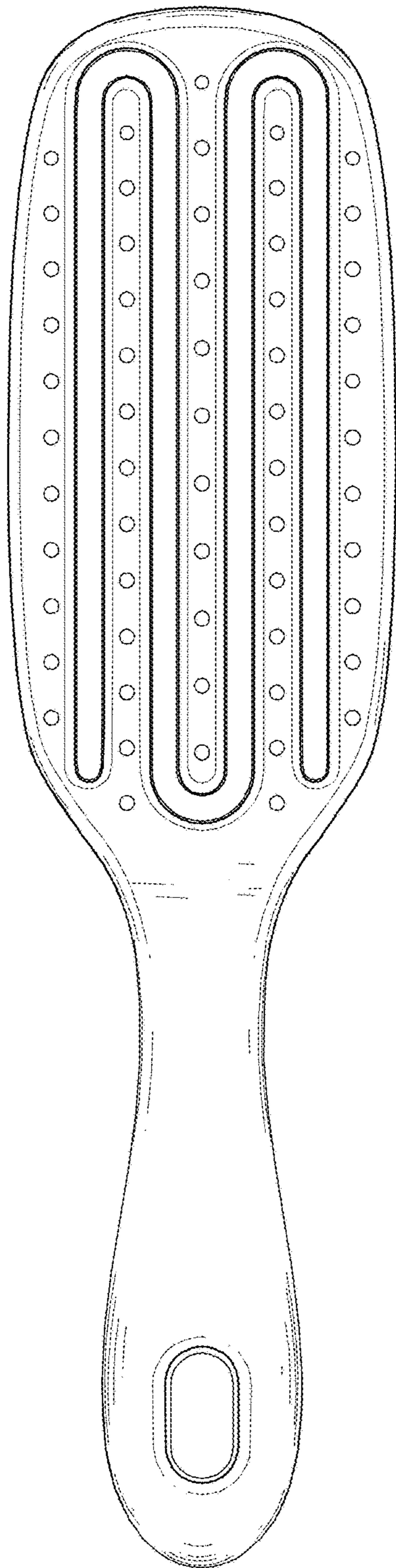


FIG. 2

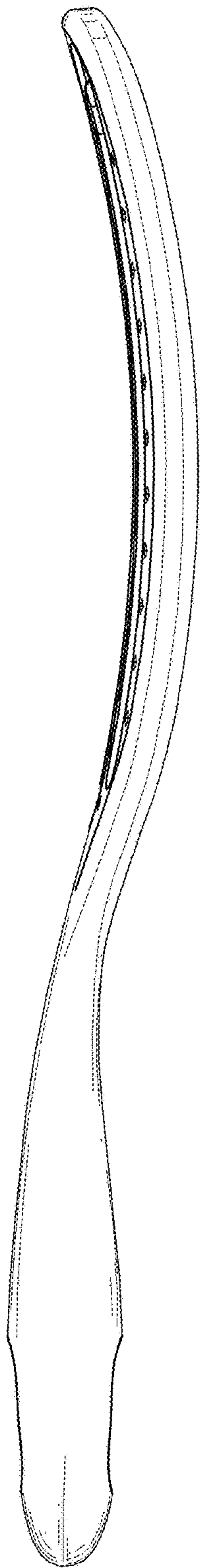


FIG. 3

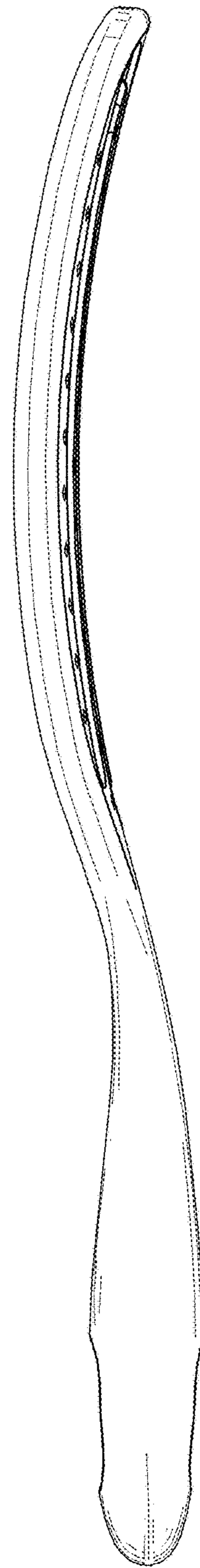


FIG. 4



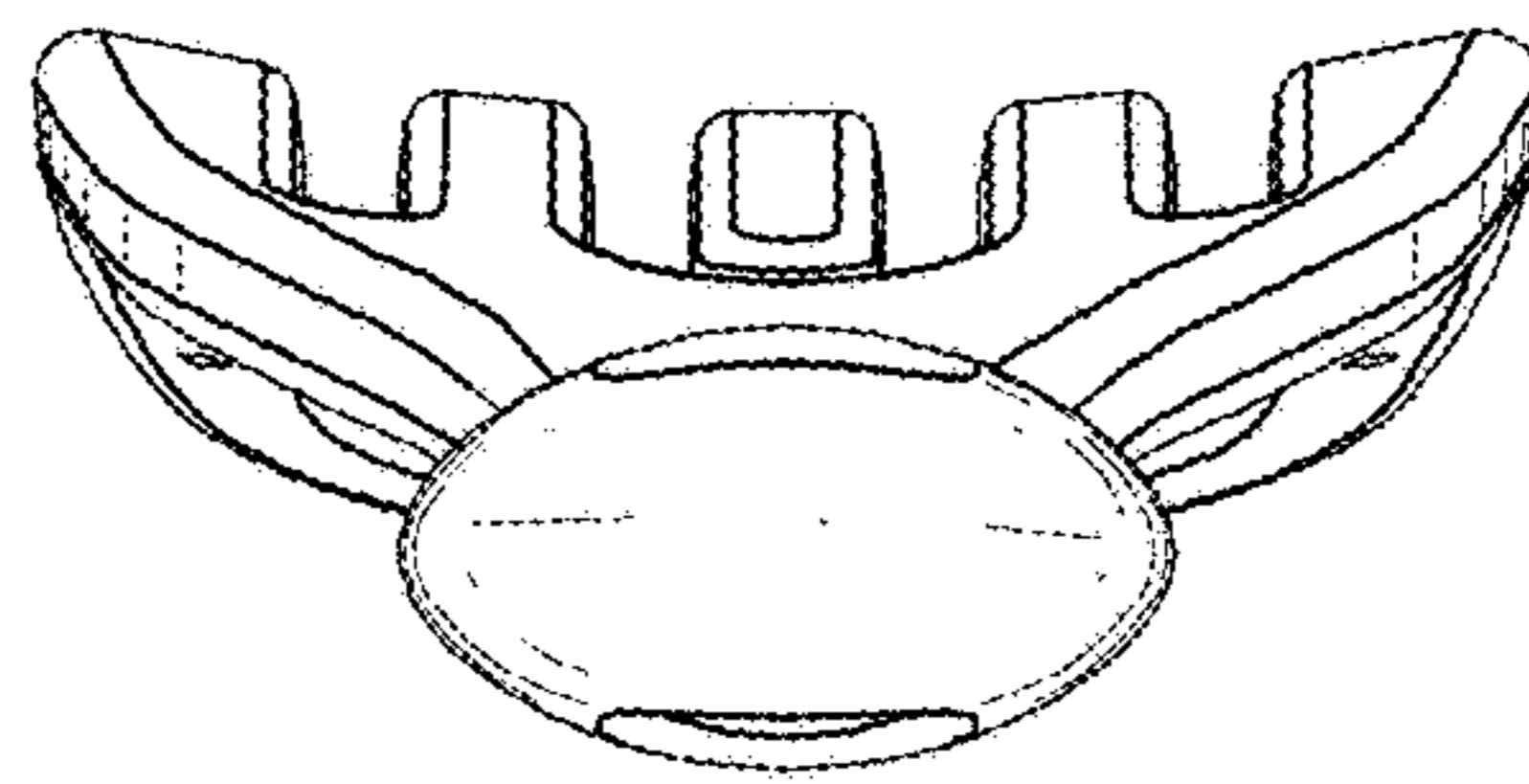


FIG. 5

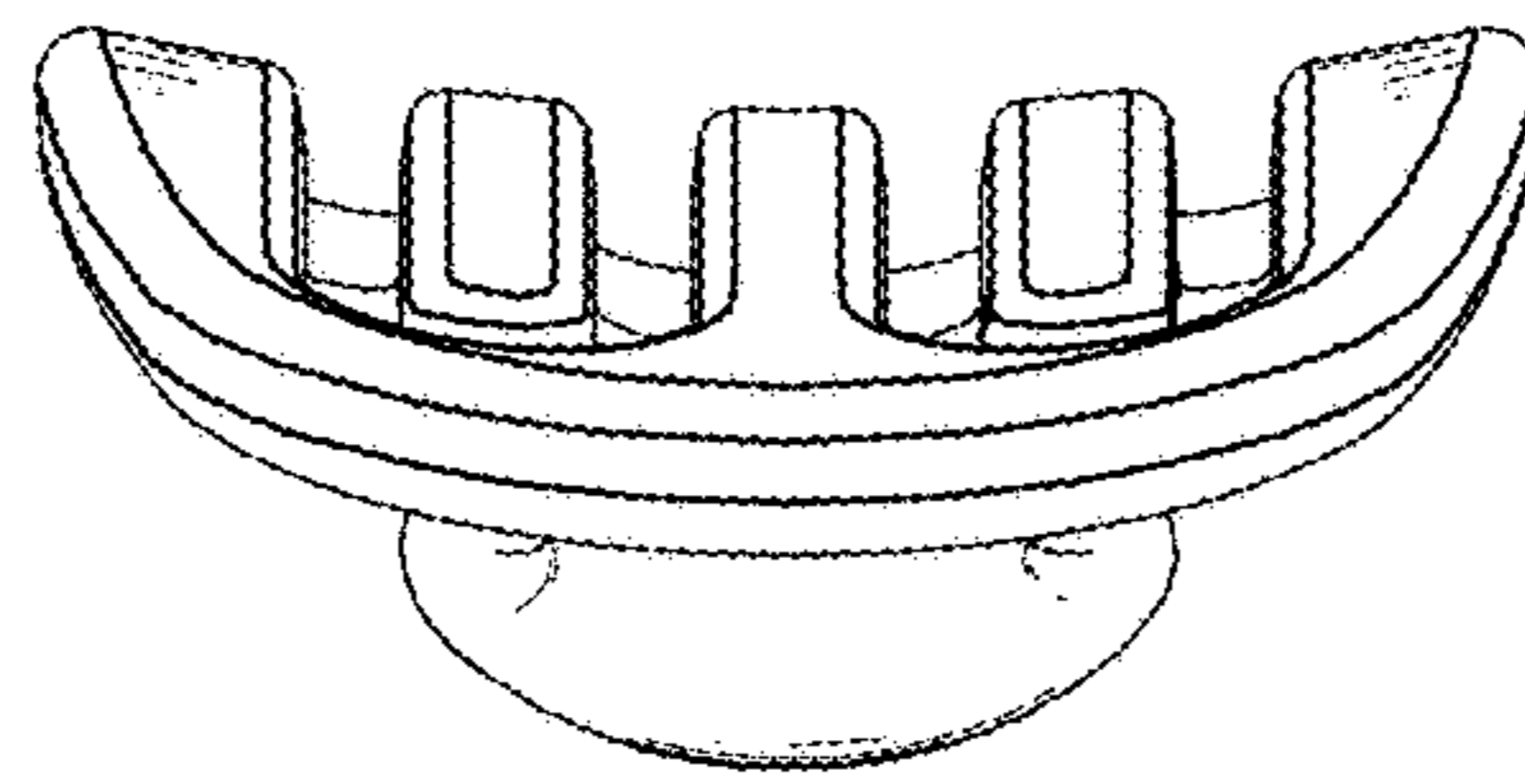


FIG. 6

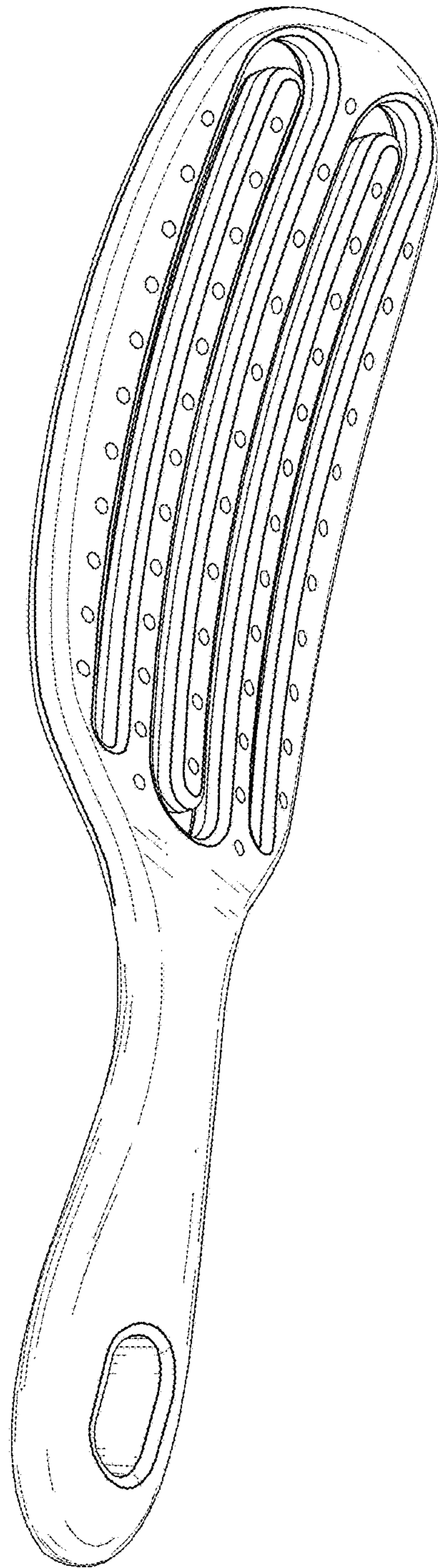


FIG. 7

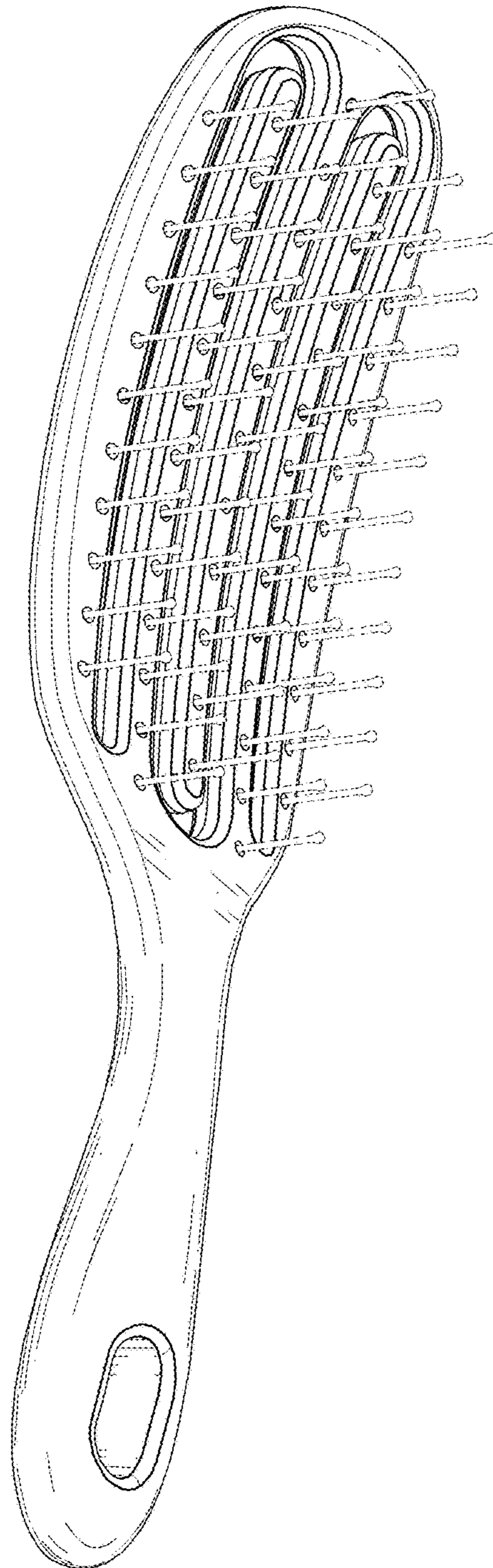


FIG. 8



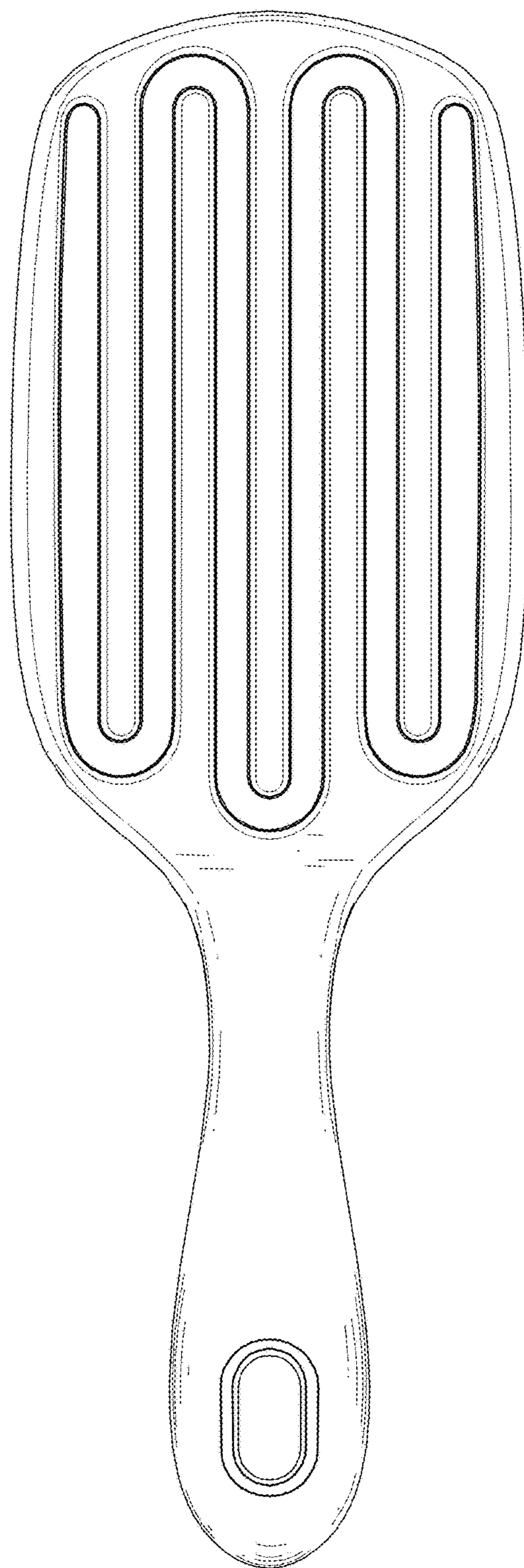


FIG. 9

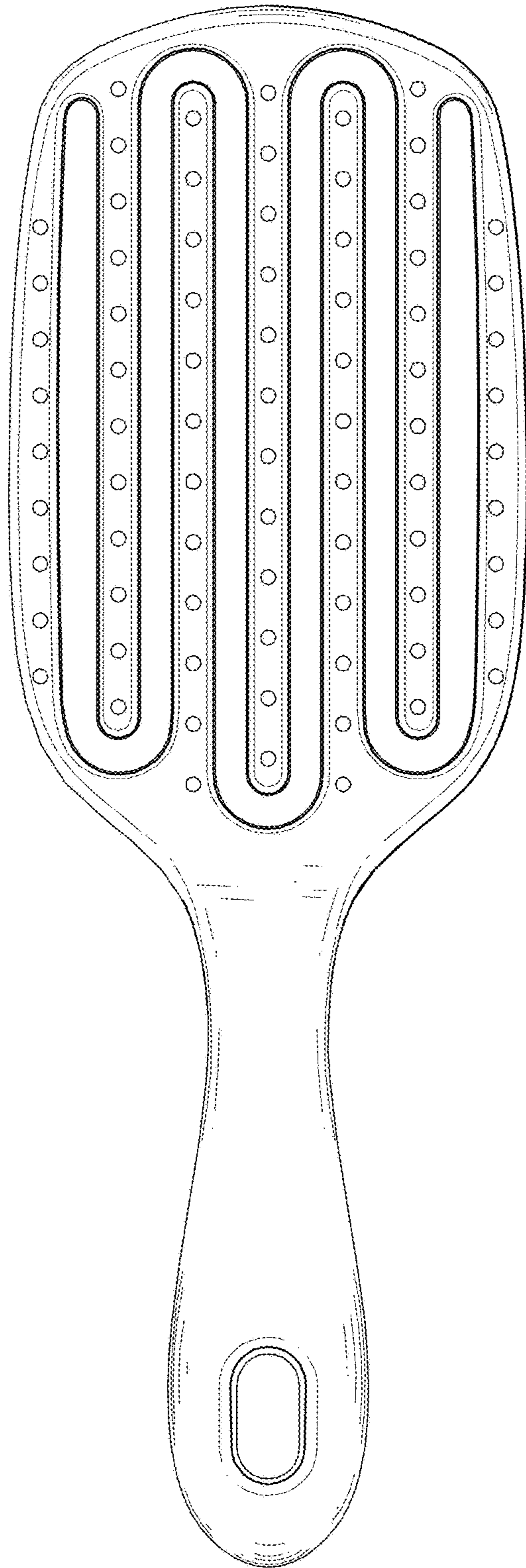


FIG. 10

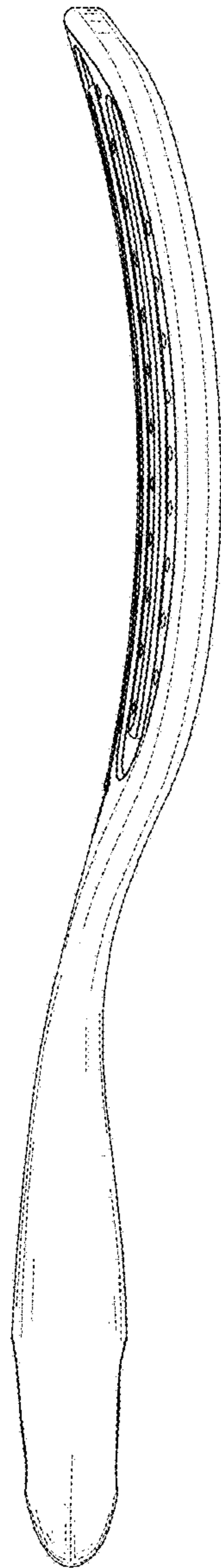


FIG. 11

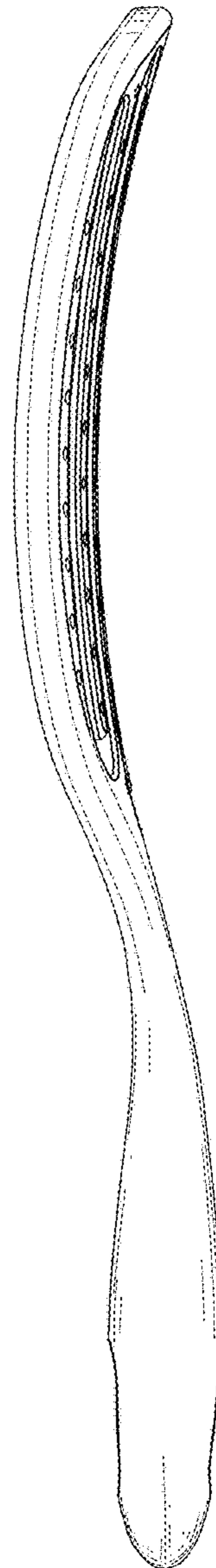


FIG. 12

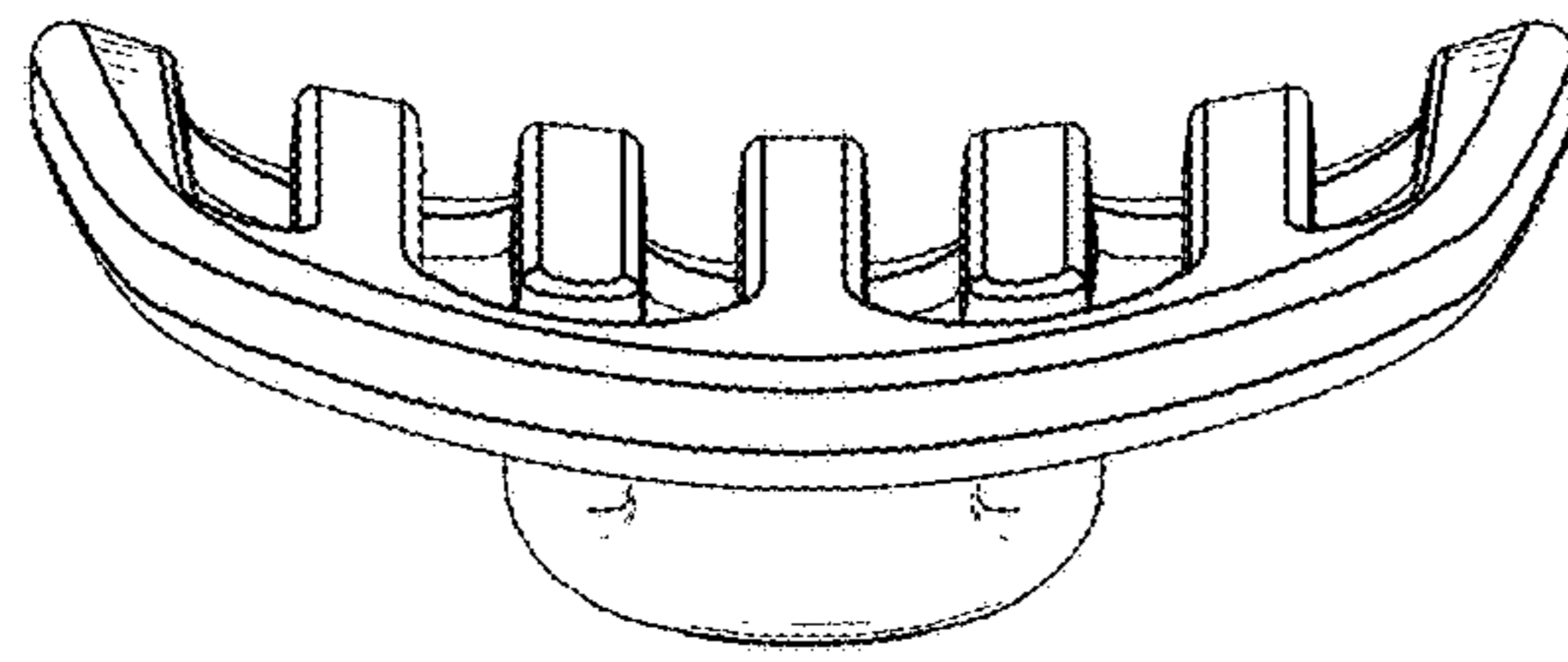


FIG. 13

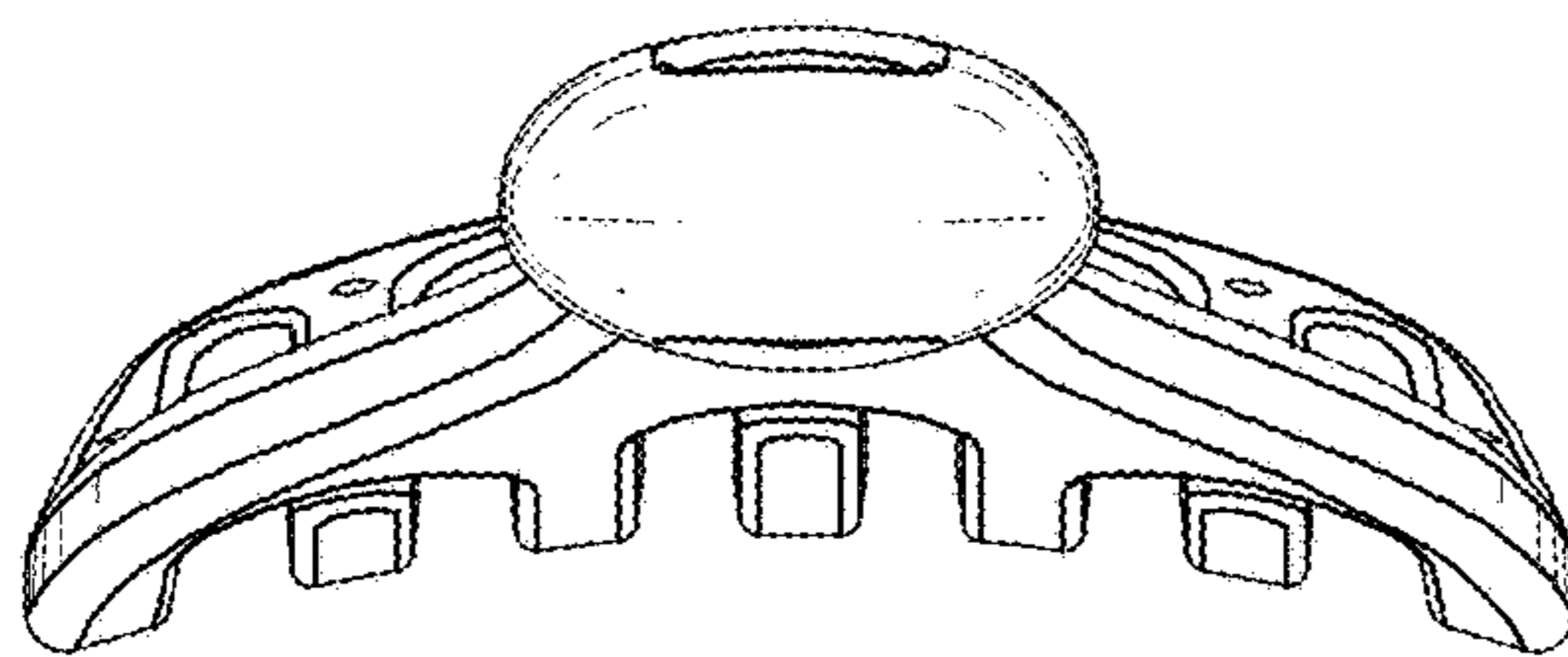


FIG. 14

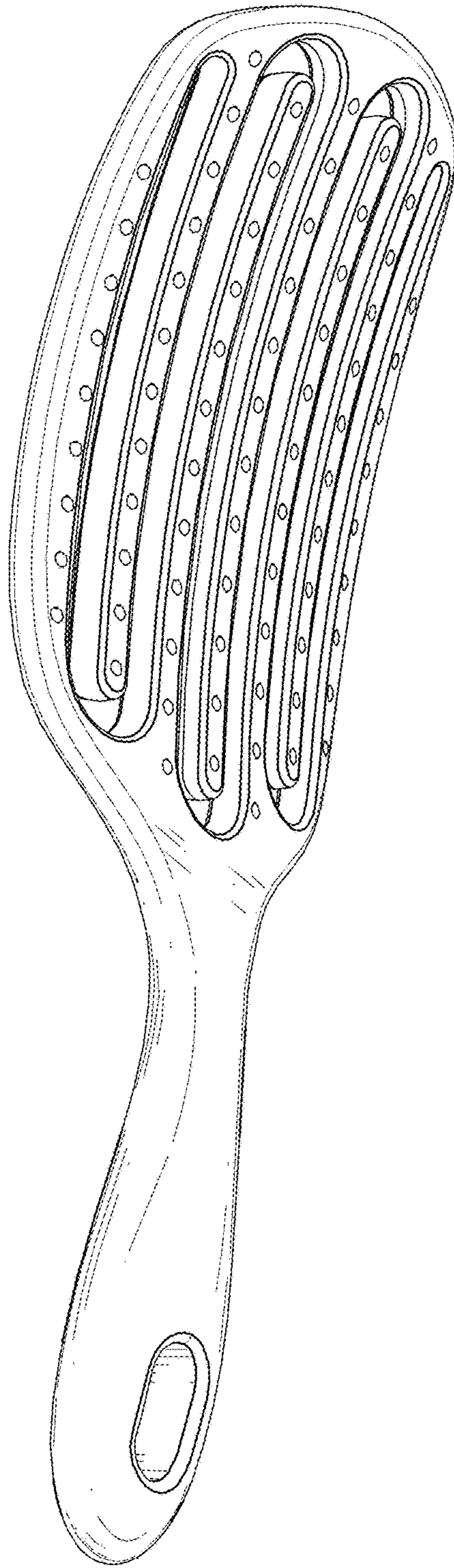


FIG. 15



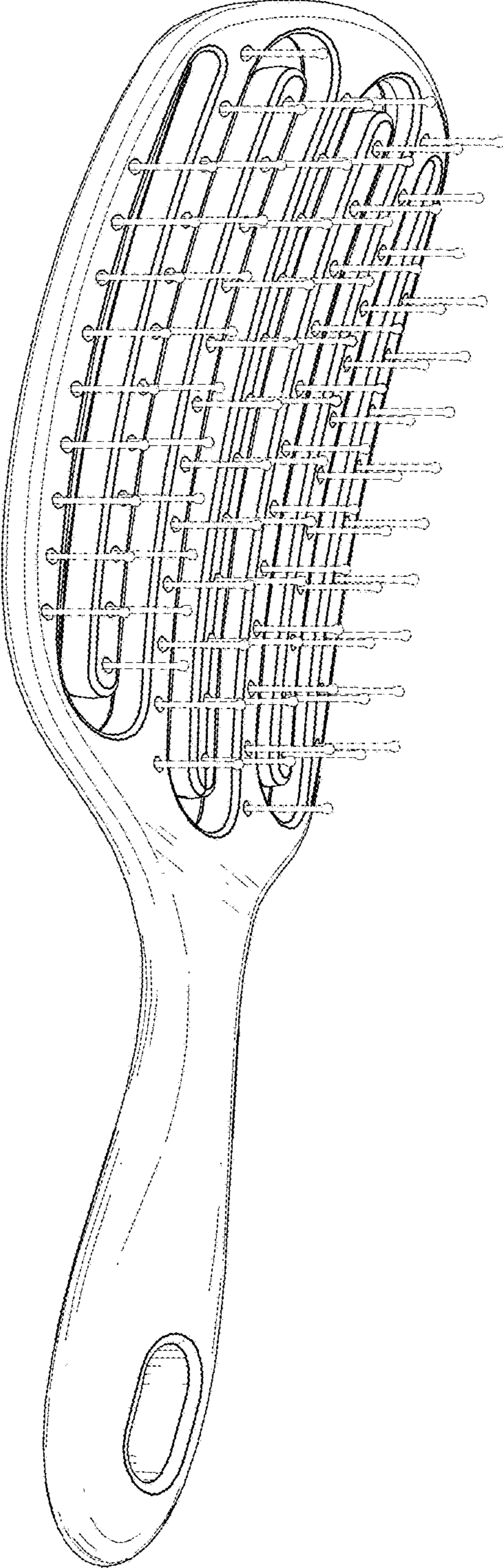


FIG. 16