



US00D834331S

(12) **United States Design Patent** (10) **Patent No.:** **US D834,331 S**  
**Spalding et al.** (45) **Date of Patent:** **\*\* Nov. 27, 2018**

- (54) **CLEANING BRUSH**
- (71) Applicant: **JS2 ENTERPRISES, LLC**, Anderson, SC (US)
- (72) Inventors: **Justin Spalding**, Anderson, SC (US); **Joe Spalding**, Greenville, SC (US)
- (73) Assignee: **JS2 ENTERPRISES, LLC**, Anderson, SC (US)
- (\*\*) Term: **15 Years**
- (21) Appl. No.: **29/625,772**
- (22) Filed: **Nov. 13, 2017**
- (51) **LOC (11) Cl.** ..... **04-02**
- (52) **U.S. Cl.**  
USPC ..... **D4/128**
- (58) **Field of Classification Search**  
USPC ..... D4/128, 129, 131, 136, 138, 108, 109, D4/119; D32/35, 51; 15/104.5, 104.16, 15/104.2, 104.31, 104.32, 164, 165, 206; D28/65; D7/682; 452/298, 458  
CPC ..... A46B 7/026; A46B 5/005; A46B 17/04; A46B 2200/1046  
See application file for complete search history.

- D647,703 S \* 11/2011 Li ..... D4/128
- D693,128 S \* 11/2013 Williams ..... D4/128
- D694,018 S \* 11/2013 Williams ..... D4/128
- D740,569 S \* 10/2015 Donald ..... D4/128
- D801,700 S \* 11/2017 Kauss ..... D4/128
- D808,660 S \* 1/2018 Kresge ..... D4/128
- D817,004 S \* 5/2018 Appelbaum ..... D4/114
- D821,756 S \* 7/2018 Adams ..... D4/128

\* cited by examiner

*Primary Examiner* — Austin Murphy

(74) *Attorney, Agent, or Firm* — J. Bennett Mullinax, LLC

(57) **CLAIM**

The ornamental design for a cleaning brush, as shown and described.

**DESCRIPTION**

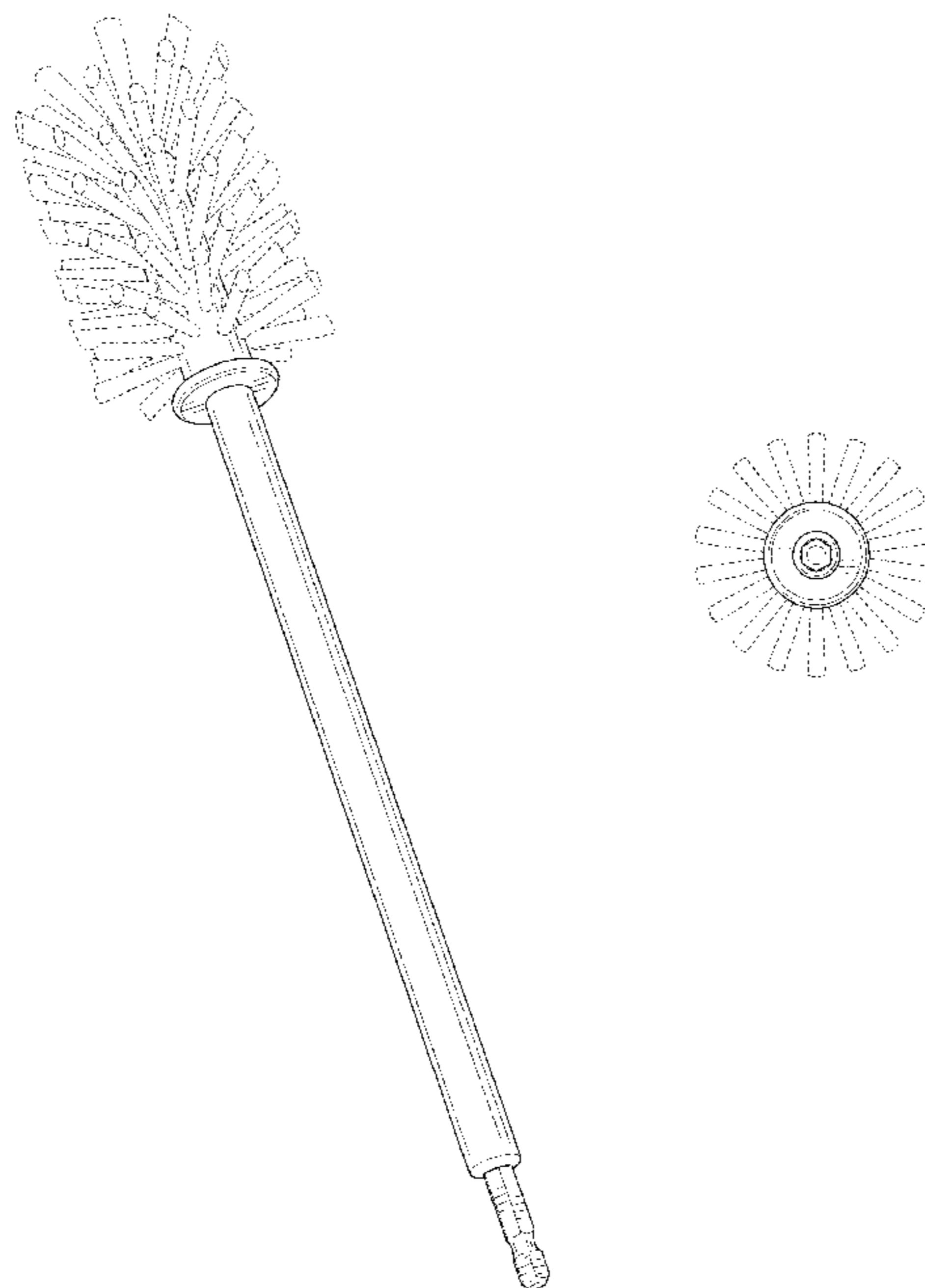
FIG. 1 is a top perspective view of the cleaning brush according to the present design.  
 FIG. 2 is a top view of the cleaning brush as shown in FIG. 1;  
 FIG. 3 is a bottom view of the cleaning brush as shown in FIG. 1;  
 FIG. 4 is a left side view of the cleaning brush as shown in FIG. 1;  
 FIG. 5 is a right side view of the cleaning brush as shown in FIG. 1;  
 FIG. 6 is a front view of the cleaning brush as shown in FIG. 1; and,  
 FIG. 7 is a rear view of the cleaning brush as shown in FIG. 1.  
 The broken lines shown in FIGS. 1-7 are for illustrative purposes only and form no part of the claimed design.

**1 Claim, 4 Drawing Sheets**

(56) **References Cited**

U.S. PATENT DOCUMENTS

- D489,903 S \* 5/2004 Dunn ..... D4/128
- 7,017,222 B2 \* 3/2006 Dunn ..... A46B 5/0095  
15/106
- D524,549 S \* 7/2006 Ajluni ..... D4/128
- D581,676 S \* 12/2008 Libman ..... D4/128
- D624,755 S \* 10/2010 Luis ..... D4/111



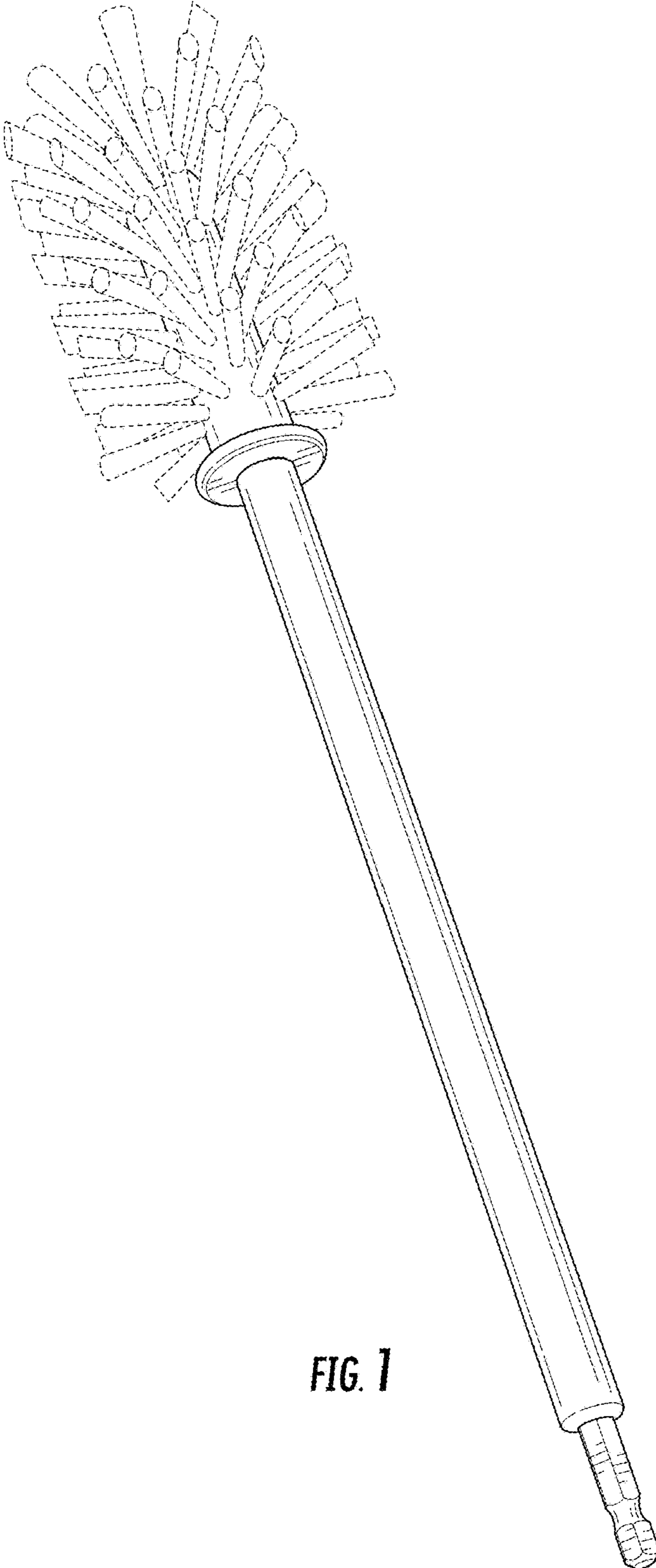


FIG. 1

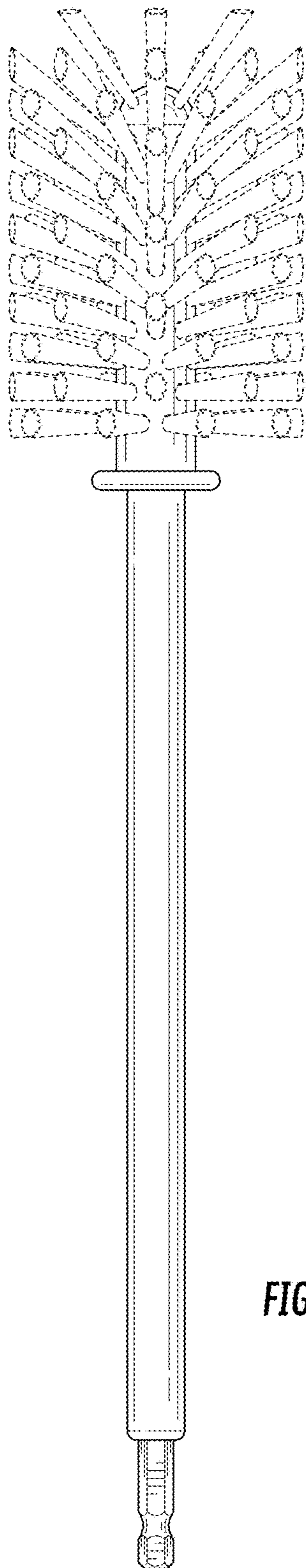


FIG. 2

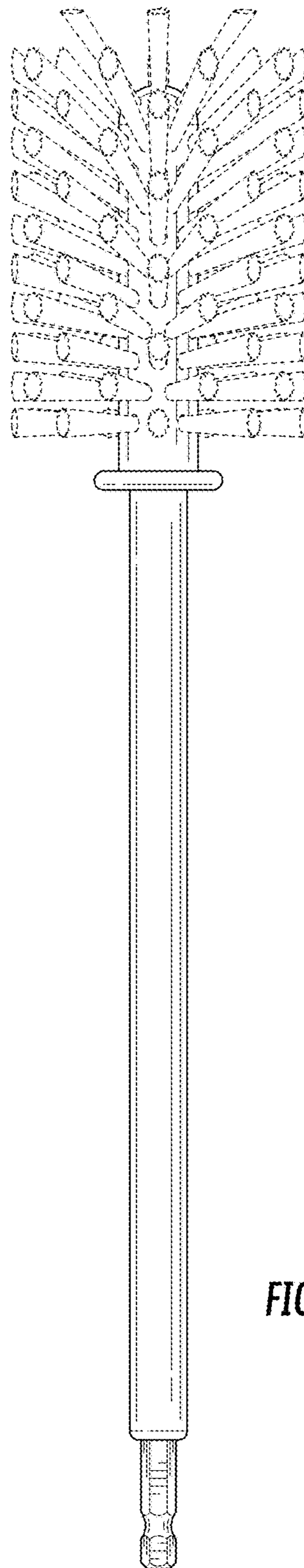


FIG. 3

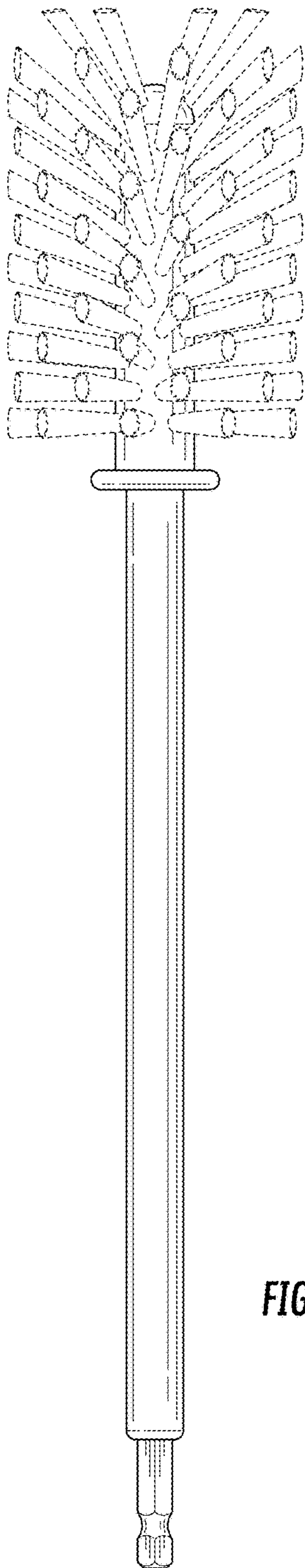


FIG. 4

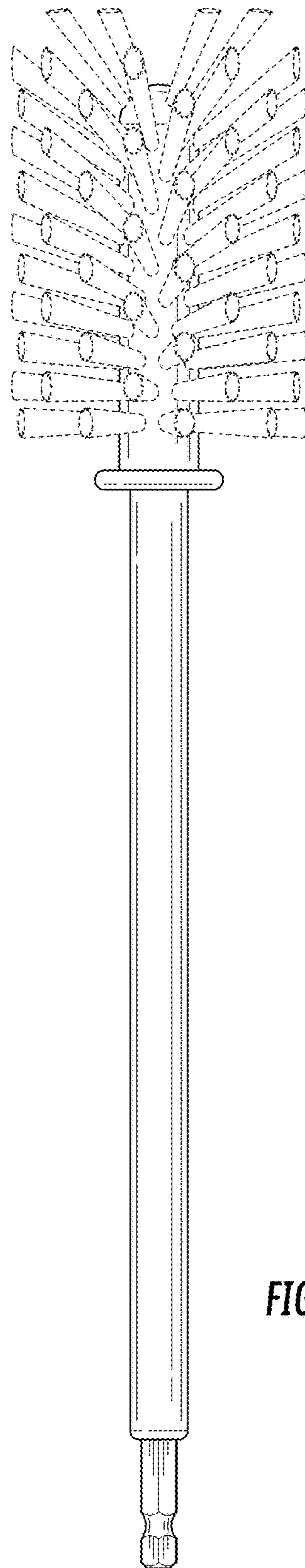
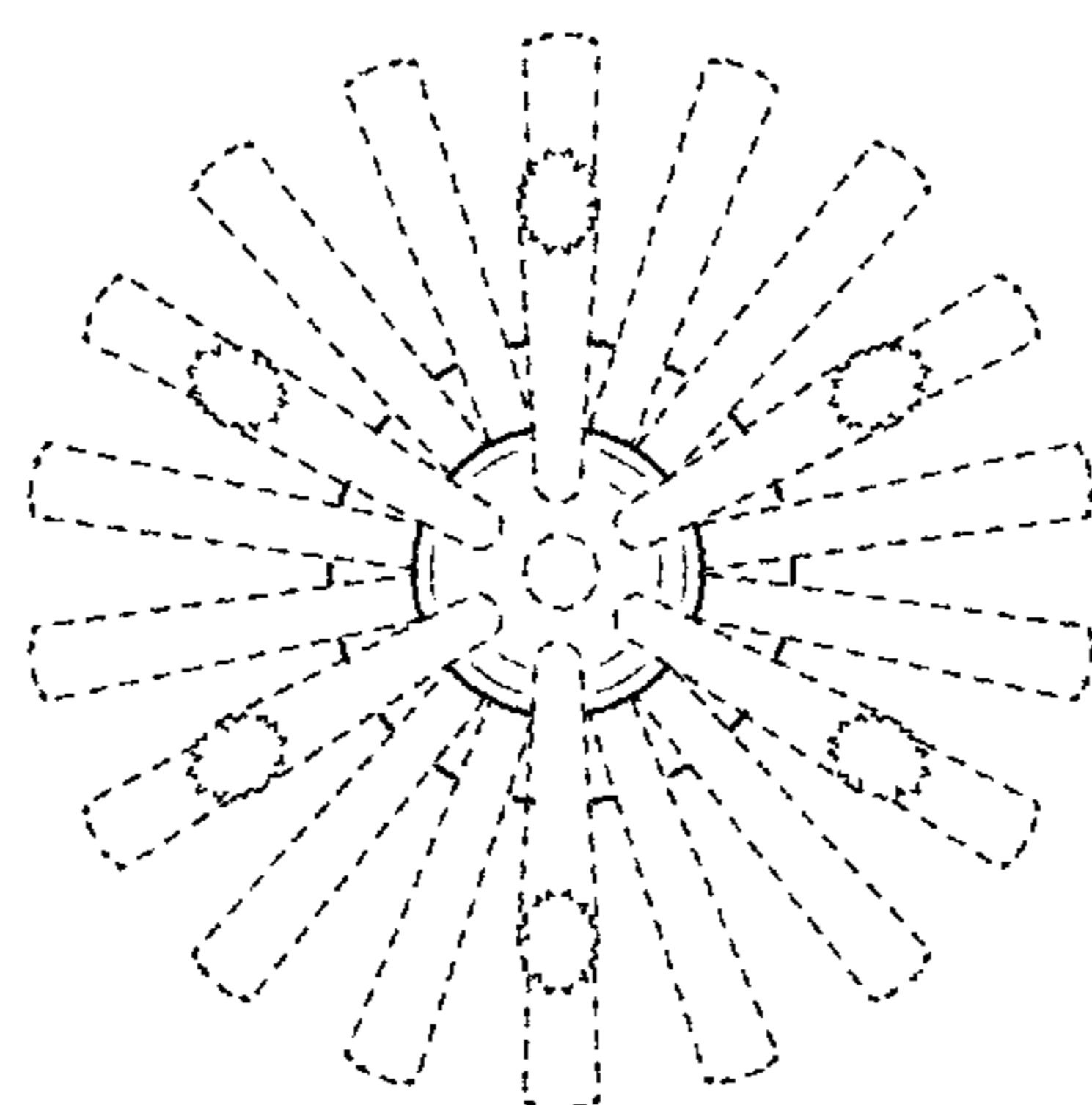
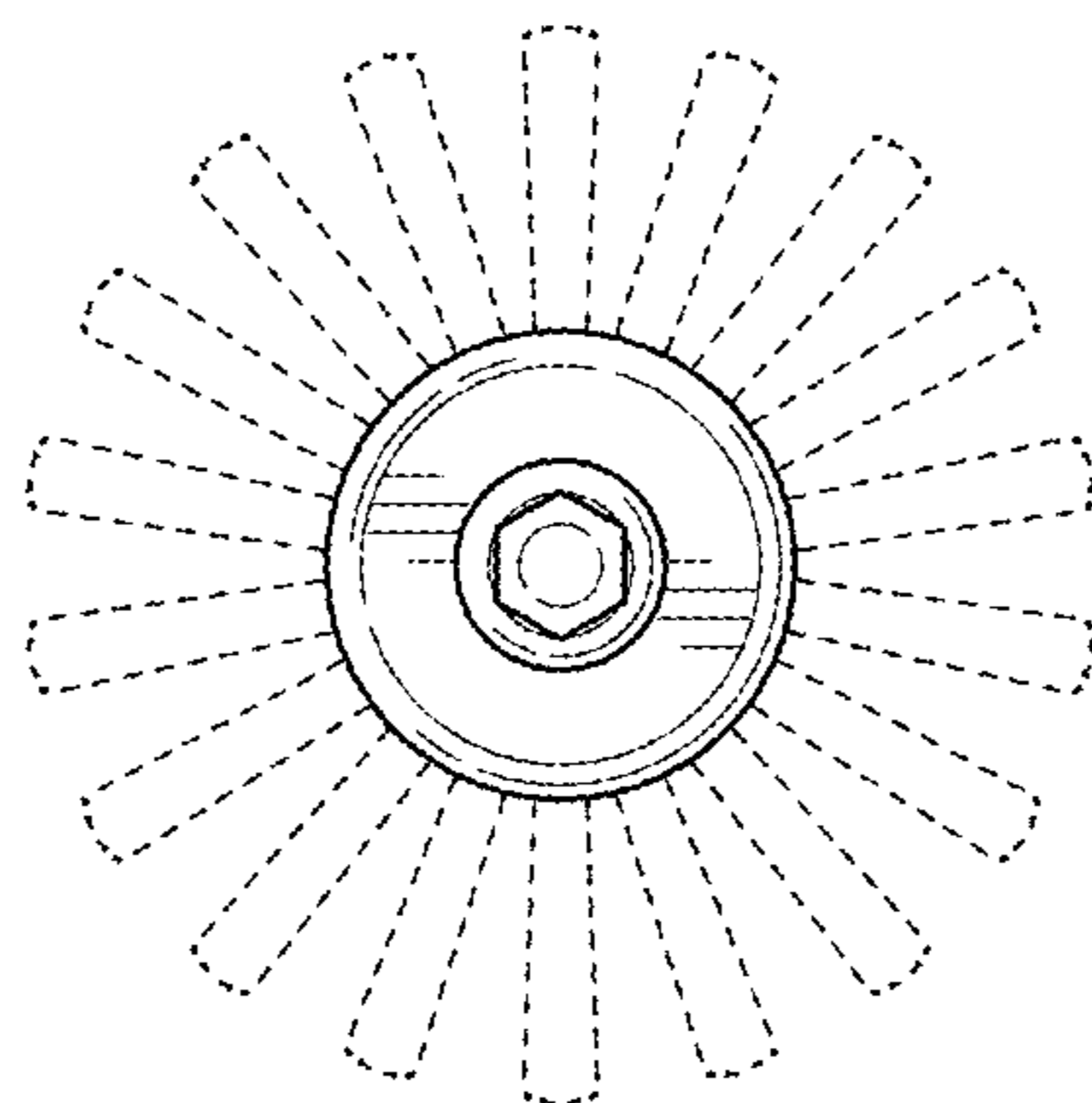


FIG. 5



**FIG. 6**



**FIG. 7**