



US00D834330S

(12) **United States Design Patent** (10) **Patent No.:** **US D834,330 S**
Louisa (45) **Date of Patent:** **** Nov. 27, 2018**

(54) **CLEANING BRUSH**

(56) **References Cited**

(71) Applicant: **KONINKLIJKE PHILIPS N.V.**,
Eindhoven (NL)
(72) Inventor: **Nicole Louisa Louisa**, Amsterdam (NL)
(73) Assignee: **KONINKLIJKE PHILIPS N.V.**,
Eindhoven (NL)

U.S. PATENT DOCUMENTS

5,471,695	A *	12/1995	Aiyar	A46B 13/02
				15/22.1
D636,933	S *	4/2011	Newman	D28/7
D750,893	S *	3/2016	Owen	D4/100
D759,256	S *	6/2016	Chen	D24/200
D759,380	S *	6/2016	Watkins	D4/101
D764,806	S *	8/2016	Prat-Pfister	D4/127
D771,389	S *	11/2016	Since	D24/200
D773,823	S *	12/2016	Wong	D4/102
9,596,928	B2 *	3/2017	Pardo	A61H 23/0263
9,717,376	B2 *	8/2017	Hwang	A61H 7/005
9,775,976	B2 *	10/2017	Grez	A61M 35/003
D803,572	S *	11/2017	Nichols	D4/102
2013/0060176	A1 *	3/2013	Nichols	A46B 13/023
				601/137

(**) Term: **15 Years**
(21) Appl. No.: **35/502,373**
(22) Filed: **Aug. 3, 2016**

(80) **Hague Agreement Data**

Int. Filing Date: **Aug. 3, 2016**
Int. Reg. No.: **DM/092432**
Int. Reg. Date: **Aug. 3, 2016**
Int. Reg. Pub. Date: **Feb. 3, 2017**

* cited by examiner

Primary Examiner — Richard E Chilcot

(30) **Foreign Application Priority Data**

Feb. 18, 2016 (EM) 002991596-0001

(51) **LOC (11) Cl.** **04-01**

(52) **U.S. Cl.**
USPC **D4/127**
CPC **A46B 13/02** (2013.01)

(58) **Field of Classification Search**
USPC D4/102, 127, 128, 138, 139, 200, 215
CPC A61F 2007/0052; A61N 1/322; A46B
15/0036; A46B 15/0097; A46B 9/005;
A46B 9/026; A46B 3/22; A46B 5/0095;
A46B 5/021; A46B 2200/102

See application file for complete search history.

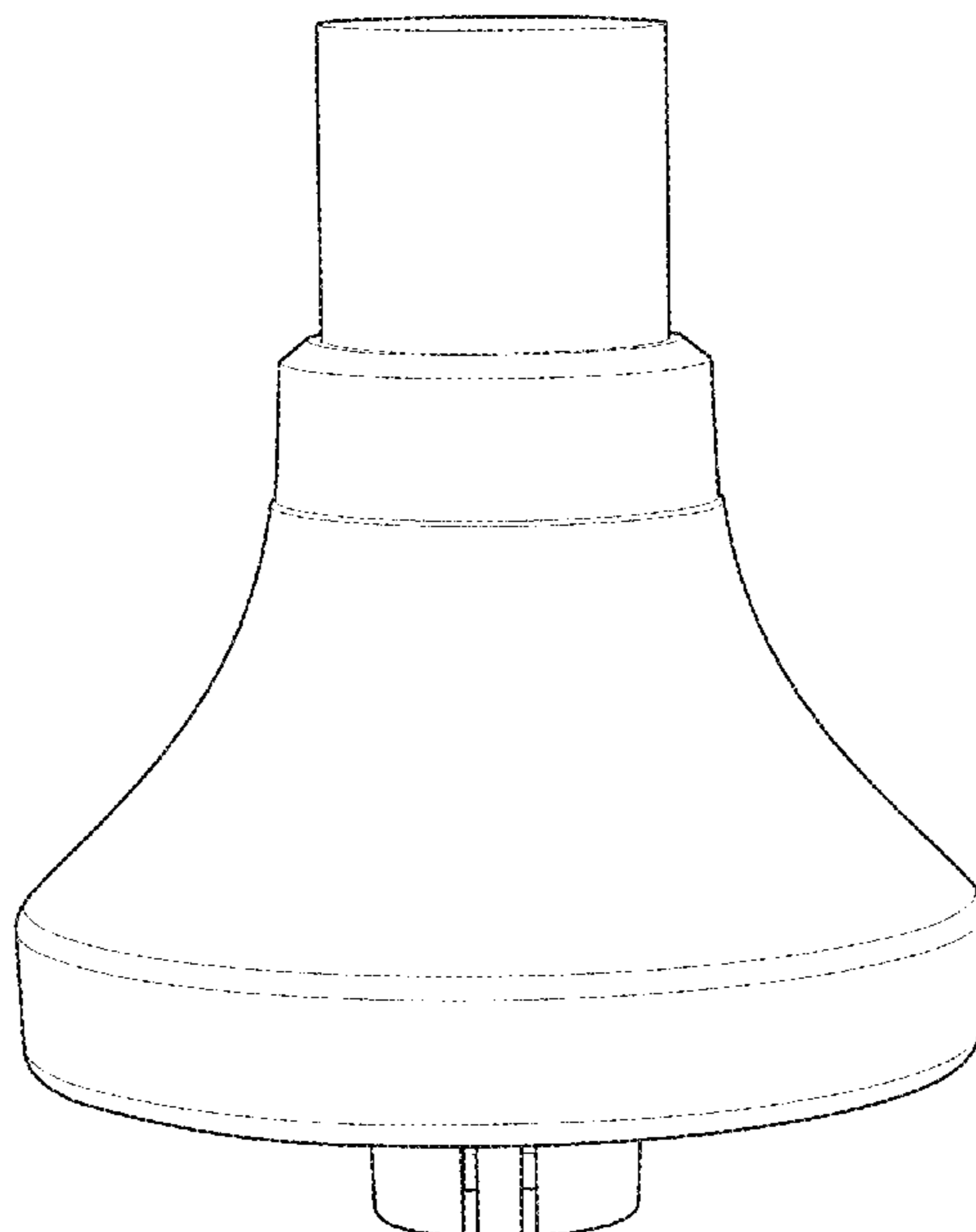
(57) **CLAIM**

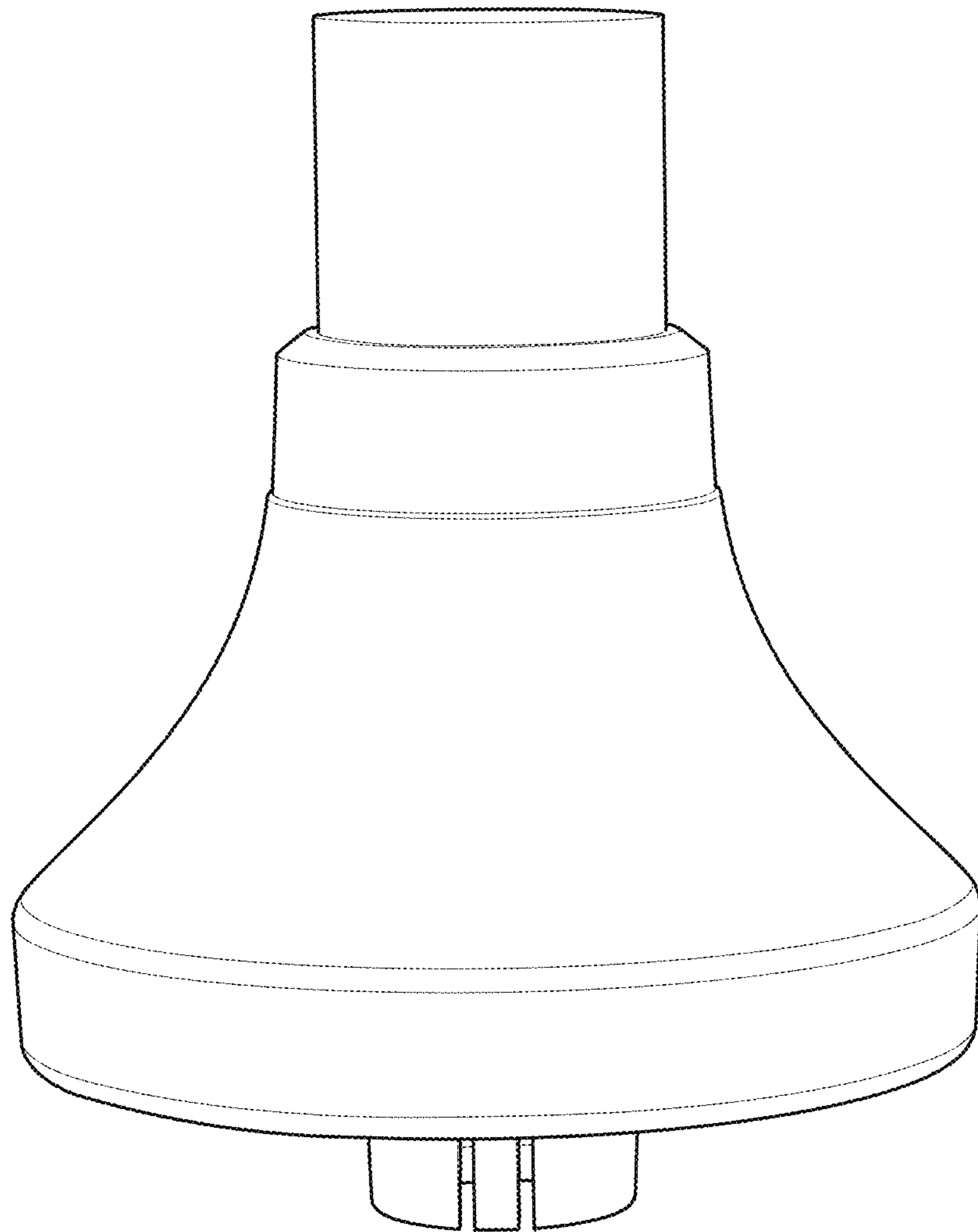
The ornamental design for a cleaning brush, as shown and described.

DESCRIPTION

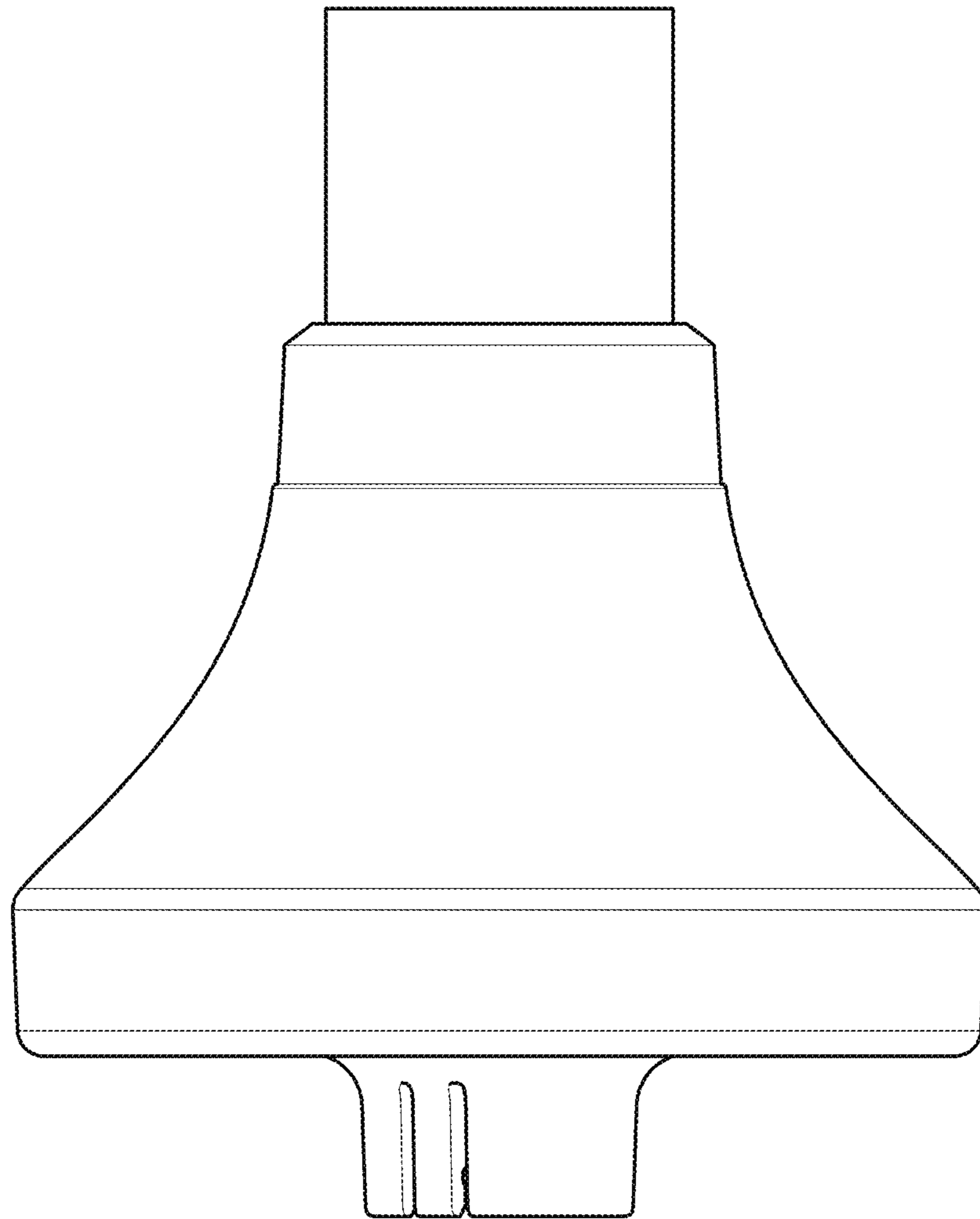
1. Cleaning brush
- 1.1 is a perspective view showing the cleaning brush of my design;
- 1.2 is a front elevational view thereof;
- 1.3 is a rear elevational view thereof;
- 1.4 is a left side elevational view thereof;
- 1.5 is a right side elevational view thereof;
- 1.6 is a top plan view thereof; and
- 1.7 is a bottom plan view thereof.

1 Claim, 6 Drawing Sheets

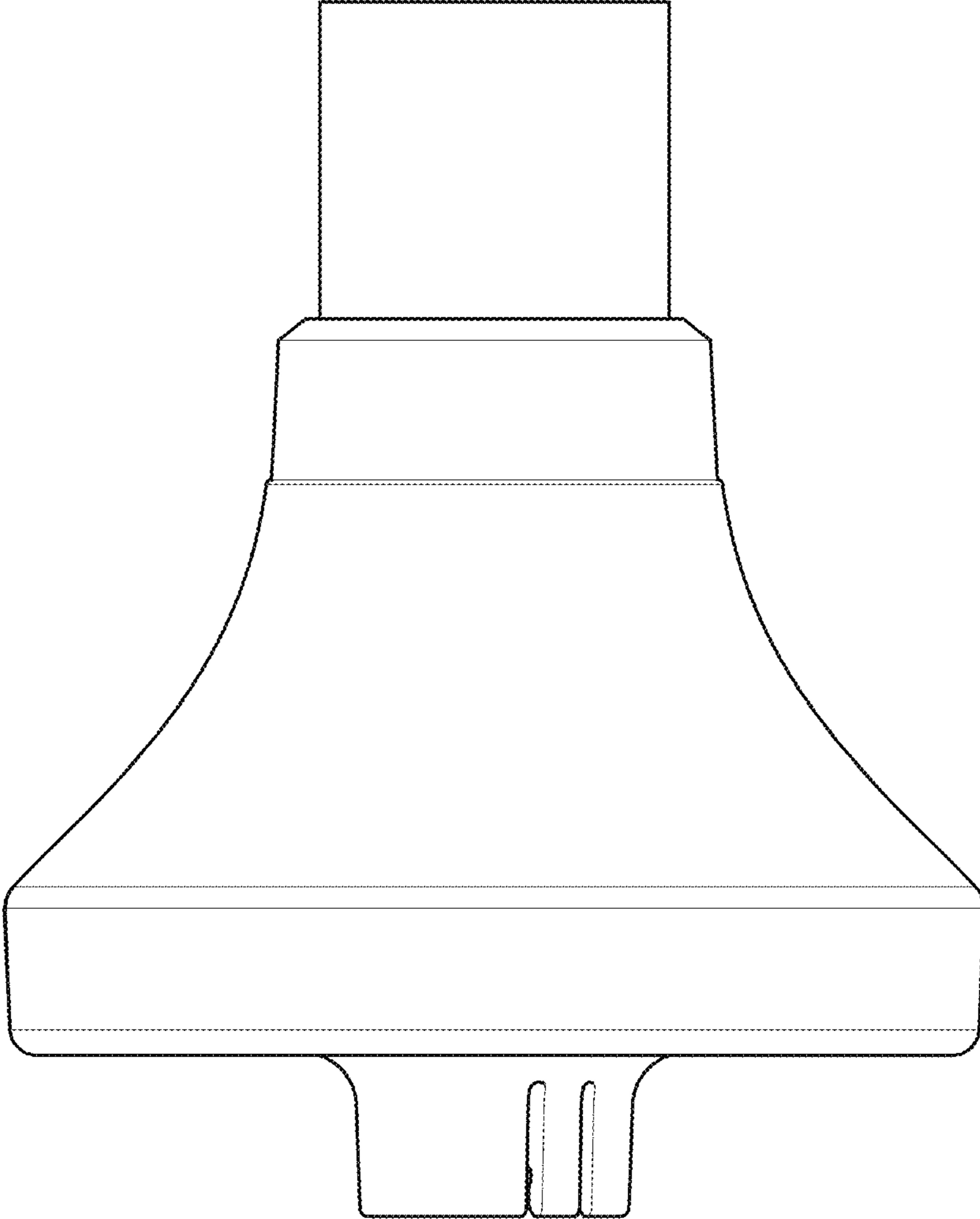




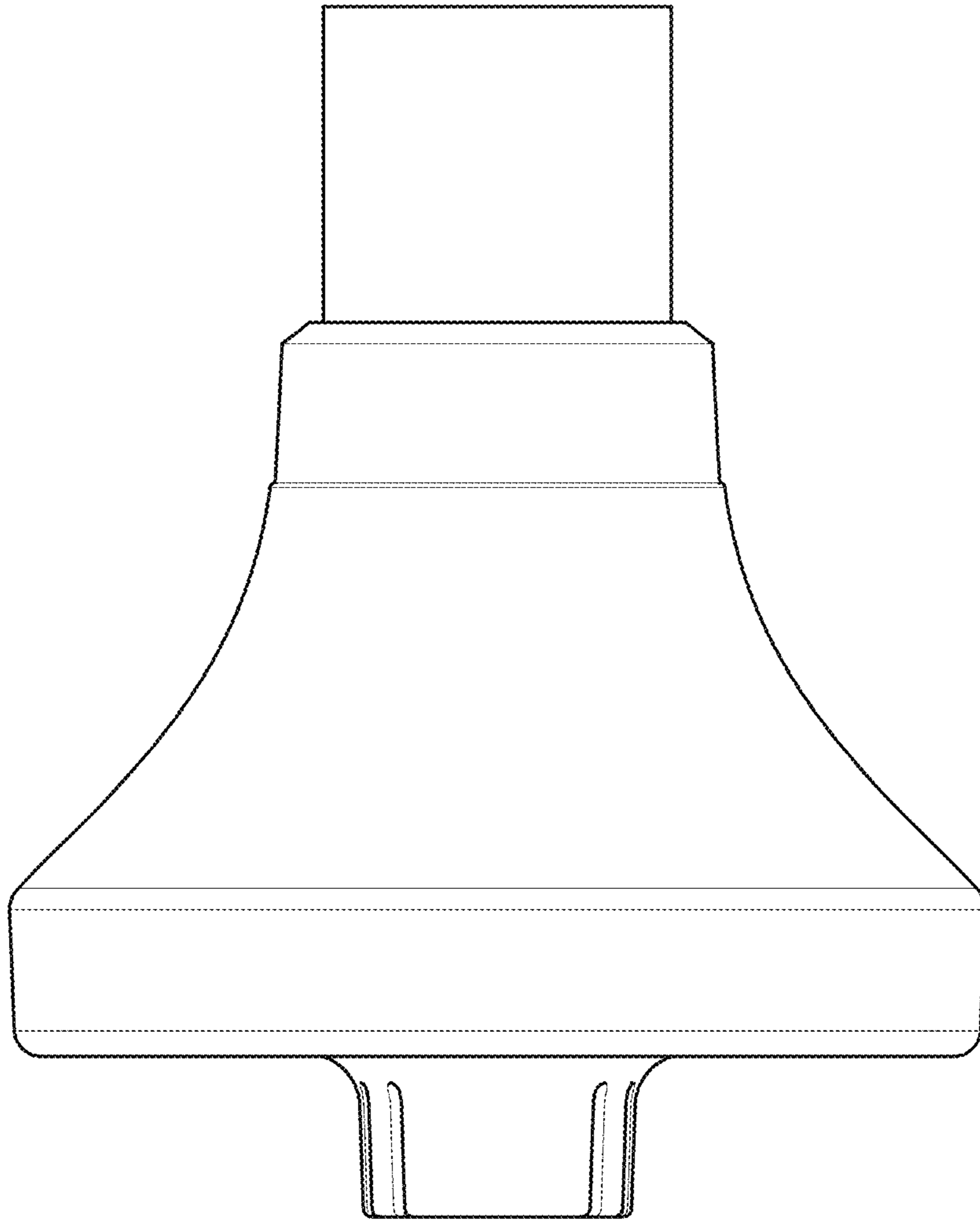
1.1



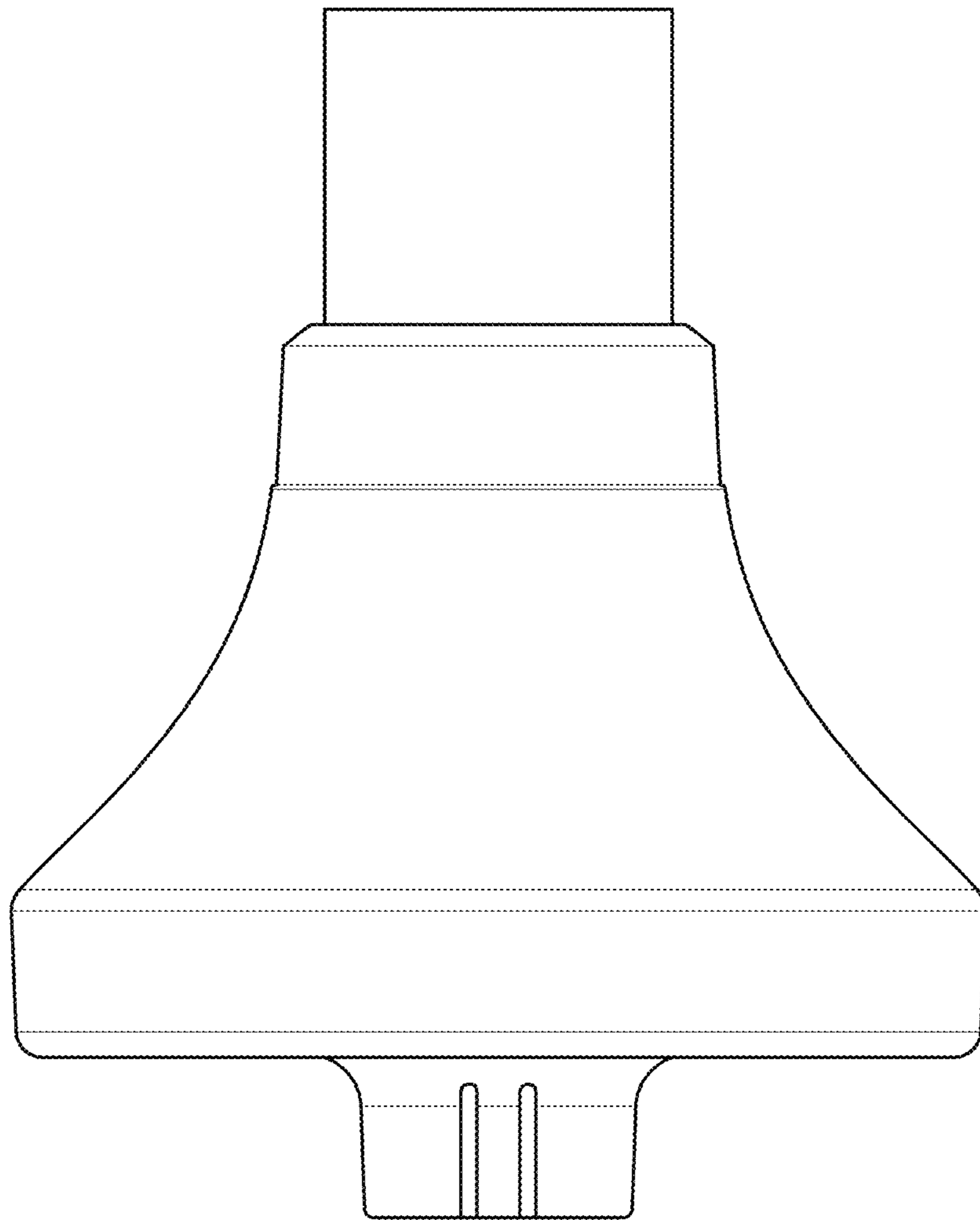
1.2



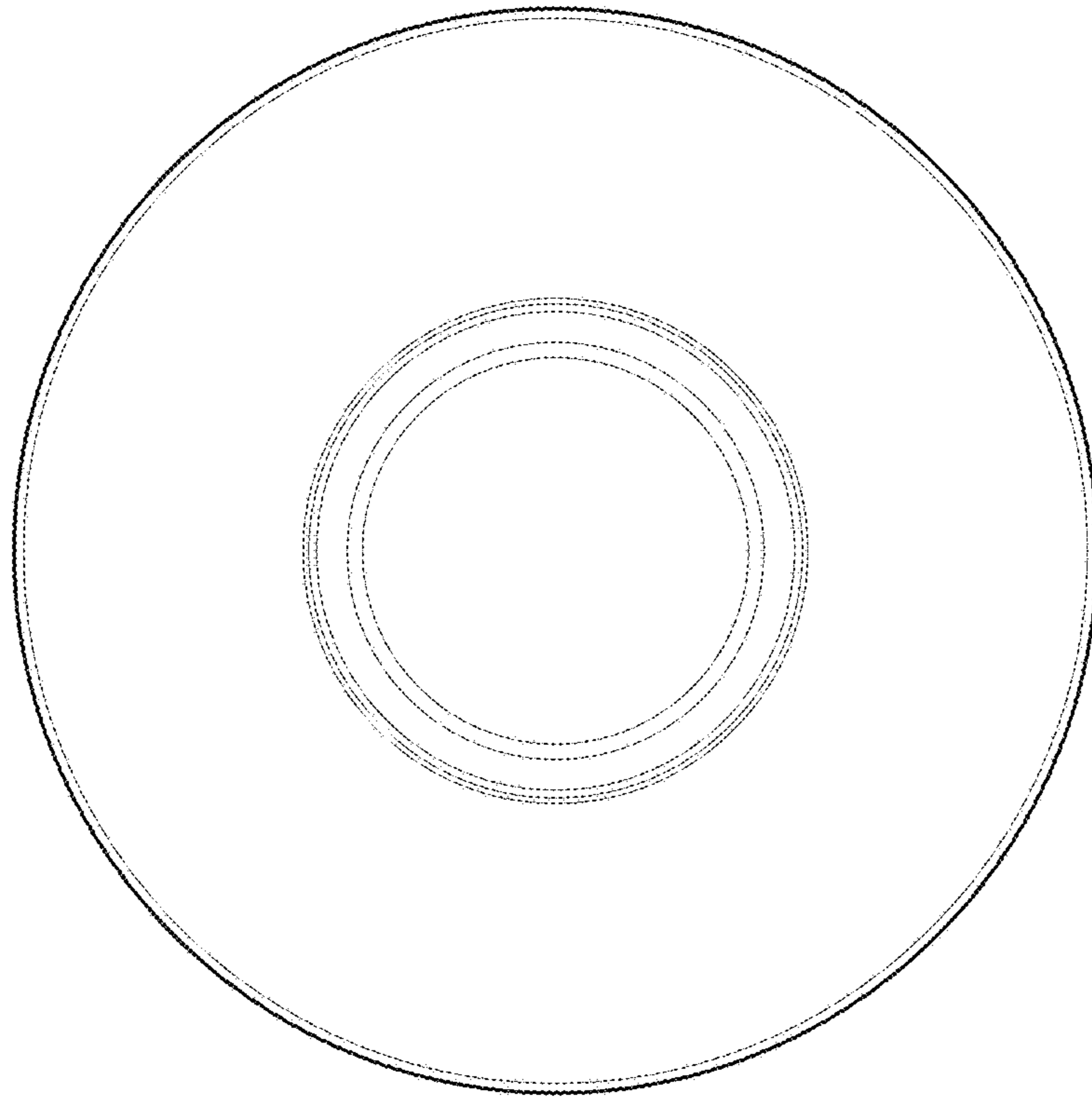
1.3



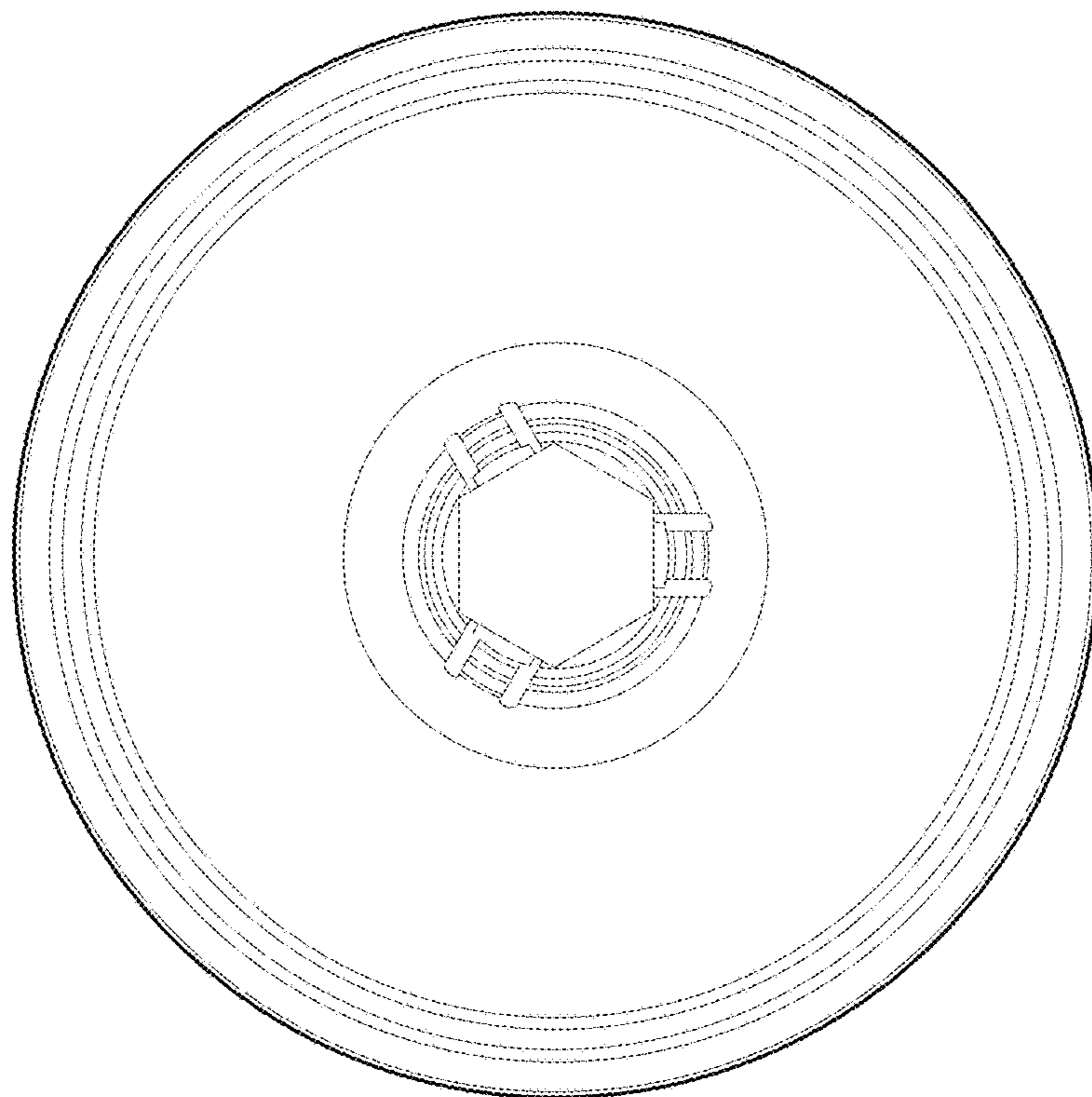
1.4



1.5



1.6



1.7