



US00D834326S

(12) **United States Design Patent** (10) **Patent No.:** **US D834,326 S**
Wainless et al. (45) **Date of Patent:** **** Nov. 27, 2018**

(54) **ORAL CARE IMPLEMENT**
(71) Applicant: **Colgate-Palmolive Company**, New York, NY (US)
(72) Inventors: **Daniel Wainless**, New Brunswick, NJ (US); **Christina Herrmann**, Bad Homburg v. d. H. (DE)
(73) Assignee: **Colgate-Palmolive Company**, New York, NY (US)

D606,759 S * 12/2009 Dotterman D4/125
8,079,109 B2 12/2011 Misner et al.
D653,454 S * 2/2012 Wong D4/107
D661,098 S * 6/2012 Nanda D4/101
D676,243 S * 2/2013 Lee D4/101
D676,664 S * 2/2013 Xi D4/107
D676,720 S * 2/2013 Attinello D7/653
D678,679 S * 3/2013 Xi D4/108
D689,699 S 9/2013 Xi et al.
(Continued)

(**) Term: **15 Years**
(21) Appl. No.: **29/643,708**
(22) Filed: **Apr. 11, 2018**

Related U.S. Application Data

(62) Division of application No. 29/583,560, filed on Nov. 7, 2016, now Pat. No. Des. 817,003.
(51) **LOC (11) Cl.** **04-02**
(52) **U.S. Cl.**
USPC **D4/107**
(58) **Field of Classification Search**
USPC D2/952, 982, 632; D4/100, 101, 102, D4/104, 105, 106, 107, 108, 109, 110, D4/111, 112, 113; D5/14, 26, 65
CPC A46B 5/00; A46B 5/021; A46B 5/023; A46B 9/04; A46B 9/10; A46B 2200/106
See application file for complete search history.

(56) **References Cited**

U.S. PATENT DOCUMENTS

5,187,829 A 2/1993 Atkins
D388,254 S * 12/1997 Schiffer D4/107
D410,787 S * 6/1999 Barre D4/104
D443,144 S * 6/2001 O'Halloran D4/111
D462,839 S * 9/2002 Ping D4/107
D469,960 S * 2/2003 Ping D4/107
D565,844 S * 4/2008 Wong D4/107
D569,626 S * 5/2008 Joyce D4/107

OTHER PUBLICATIONS

3D Top Quality Kid Toothbrush with Monkey Kind Design (https://www.alibaba.com/product-detail/3D-top-quality-kid-toothbrush-with_60157632437.html).

(Continued)

Primary Examiner — Karen S Acker
Assistant Examiner — Jasmine Mlinarcik

(57) **CLAIM**

The ornamental design for an oral care implement, as shown and described.

DESCRIPTION

FIG. 1 is a front left perspective view of an oral care implement;
FIG. 2 is a rear right perspective view thereof;
FIG. 3 is a front view thereof;
FIG. 4 is a rear view thereof;
FIG. 5 is a left side view thereof;
FIG. 6 is a right side view thereof;
FIG. 7 is an enlarged top view thereof; and,
FIG. 8 is an enlarged bottom view thereof.
The broken lines formed by a series of dots illustrate portions of the article that form no part of the claimed design. The broken lines formed by alternating spaced apart long and short line segments represent an unclaimed boundary.

1 Claim, 4 Drawing Sheets



(56)

References Cited

U.S. PATENT DOCUMENTS

D693,127 S 11/2013 Xi et al.
D696,025 S * 12/2013 Griffin D4/107
D697,719 S 1/2014 Xi et al.
D697,721 S 1/2014 Xi et al.
9,084,472 B2 7/2015 Patel
D738,627 S * 9/2015 Xi D4/107
D751,294 S 3/2016 Xi et al.
D776,436 S * 1/2017 Xi D4/104
D794,338 S * 8/2017 Griffin D4/107
D796,933 S * 9/2017 Bodie D7/656
D817,002 S * 5/2018 Wainless D4/107
D817,003 S * 5/2018 Wainless D4/107
2002/0100134 A1 8/2002 Dunn et al.
2003/0088933 A1 5/2003 Woods et al.
2017/0013952 A1 * 1/2017 Li A46B 15/0004

OTHER PUBLICATIONS

BrushBuddies Swinging Sam (Monkey) Toothbrush (<http://www.brushbuddies.com/swingin-sammy-product.html>).
BSA Kids Toothbrush (Giraffe) (<http://www.bsa2u.com/my/en/tooth-brush/296-kids-toothbrush-giraffe.html>).
Nylon Bristles Giraffe Shape Kids Toothbrush (https://www.alibaba.com/product-detail/Nylon-bristles-giraffe-shape-kids-toothbrush_60048509209.html).
TePe Zoo Giraffe Kids Toothbrush (<https://oralcare4u.com.au/product/t612/>).

* cited by examiner

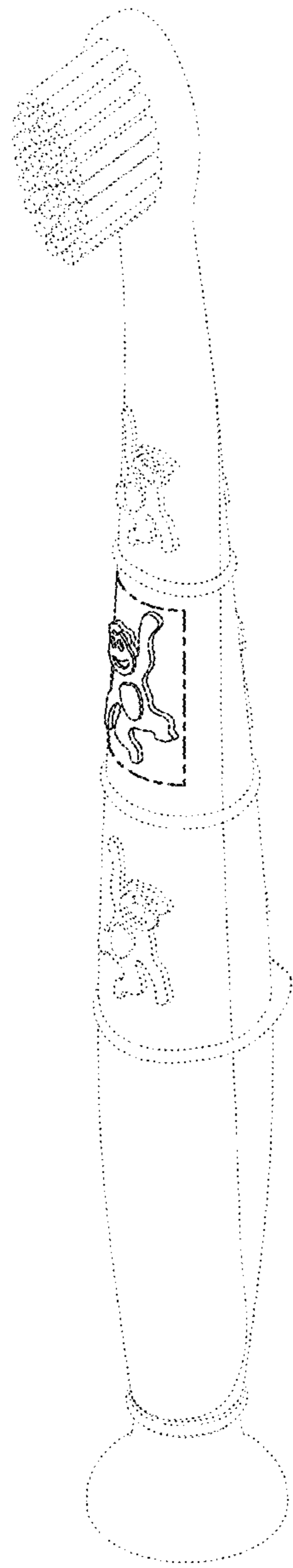


FIG. 1

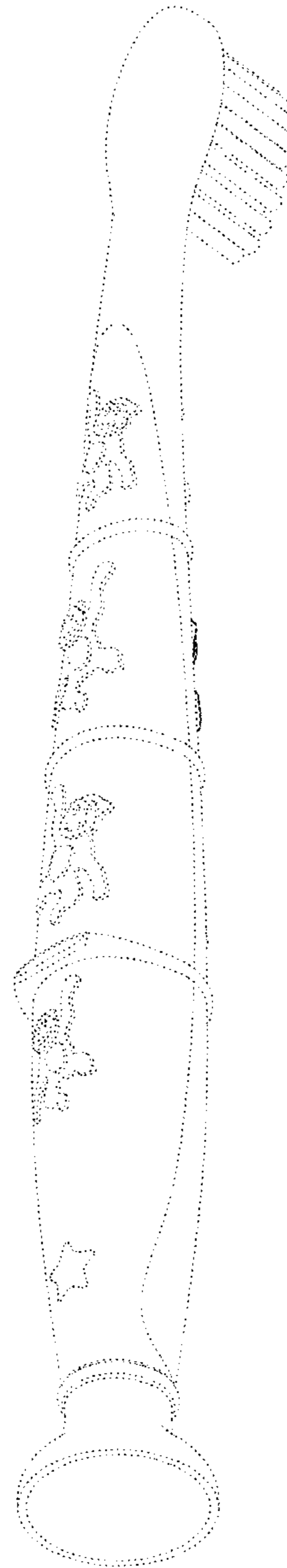


FIG. 2

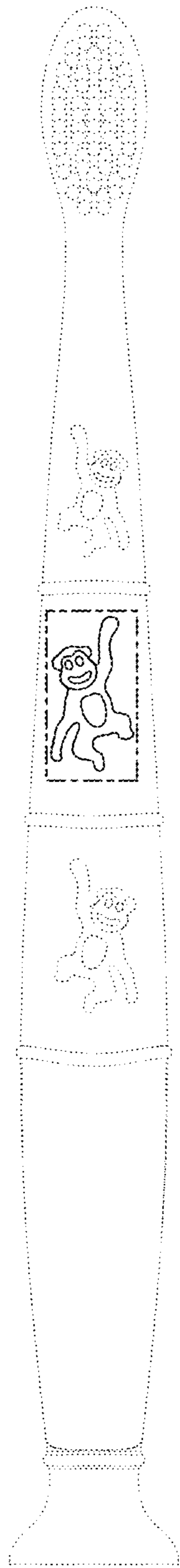


FIG. 3

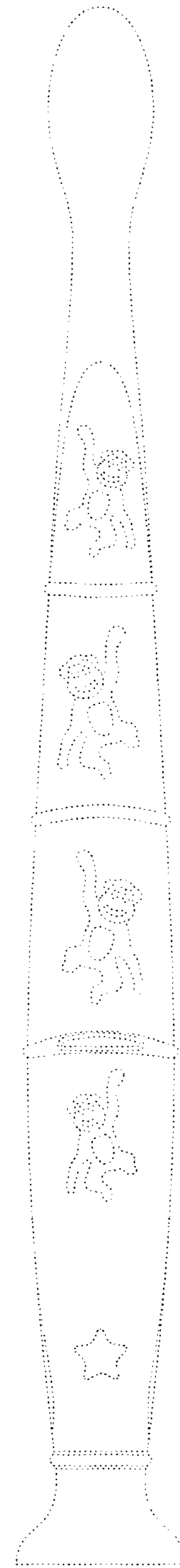


FIG. 4

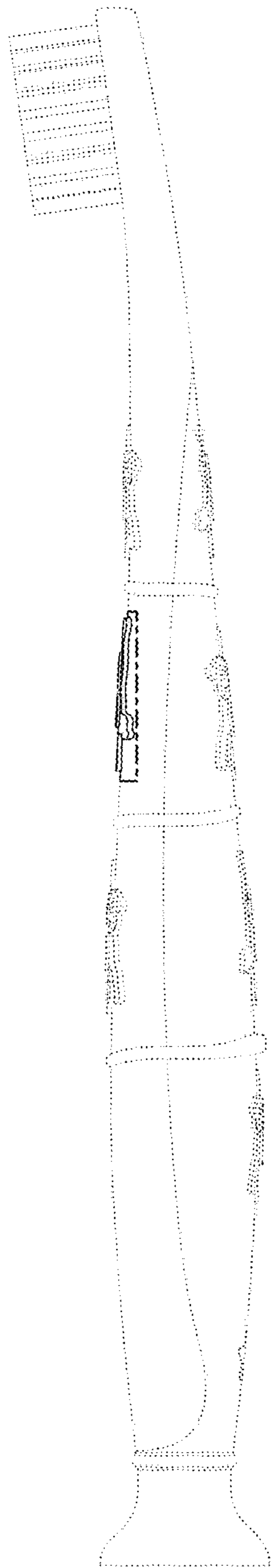


FIG. 5

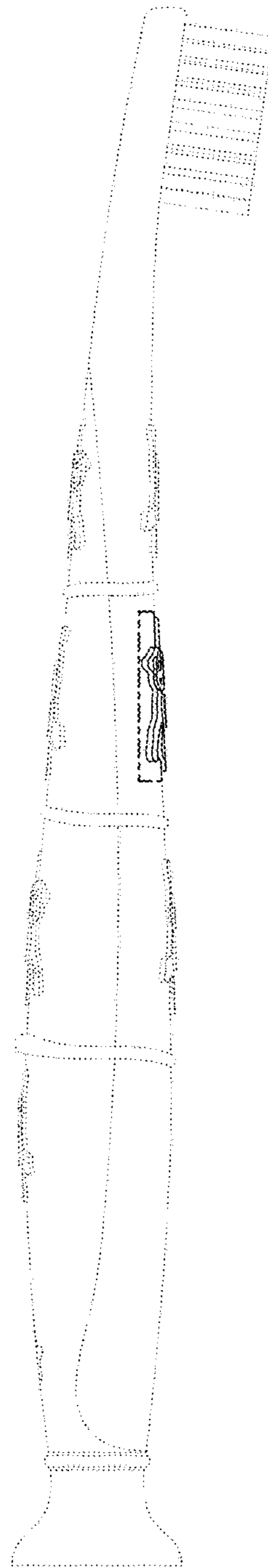


FIG. 6

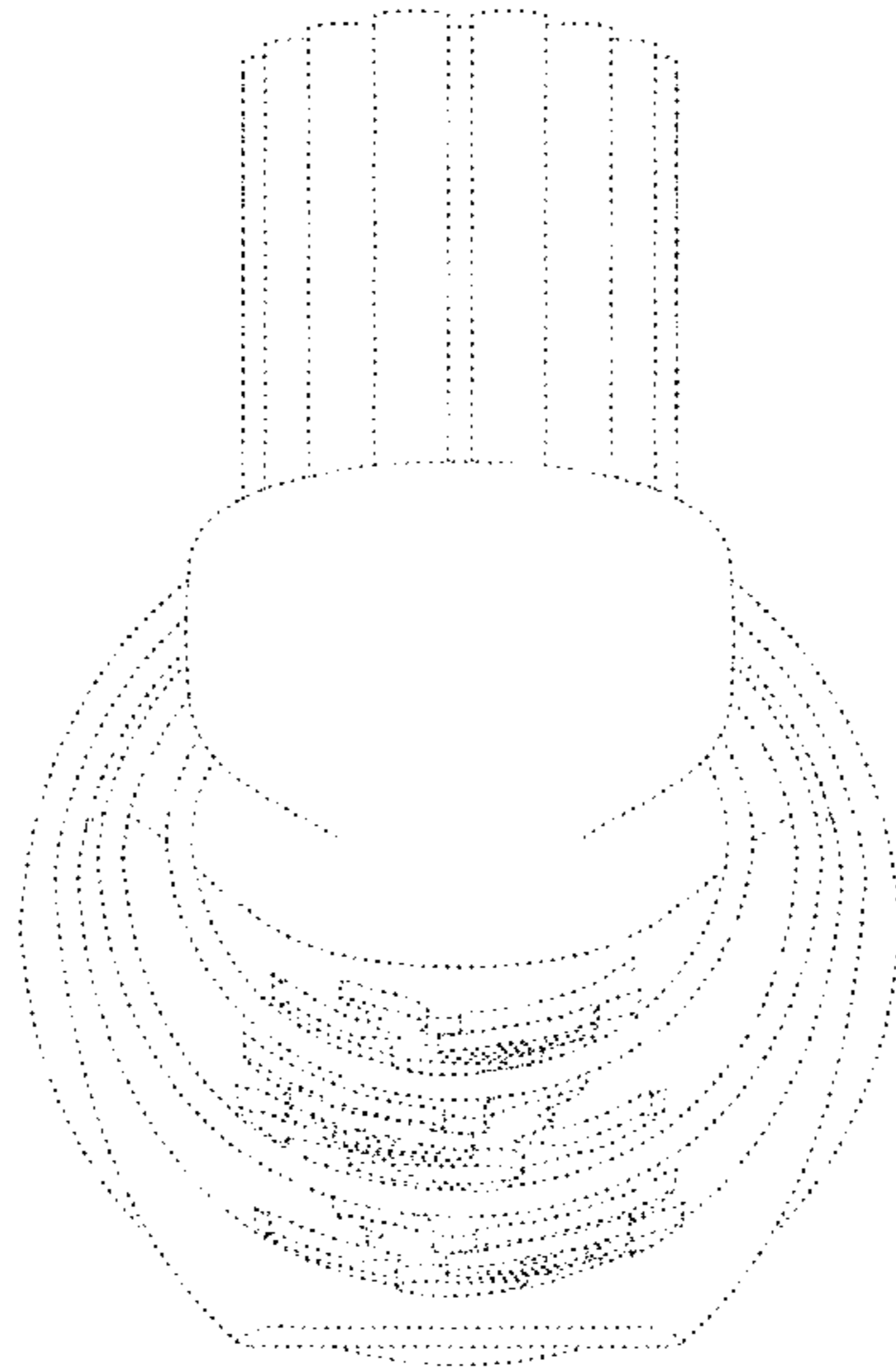


FIG. 7

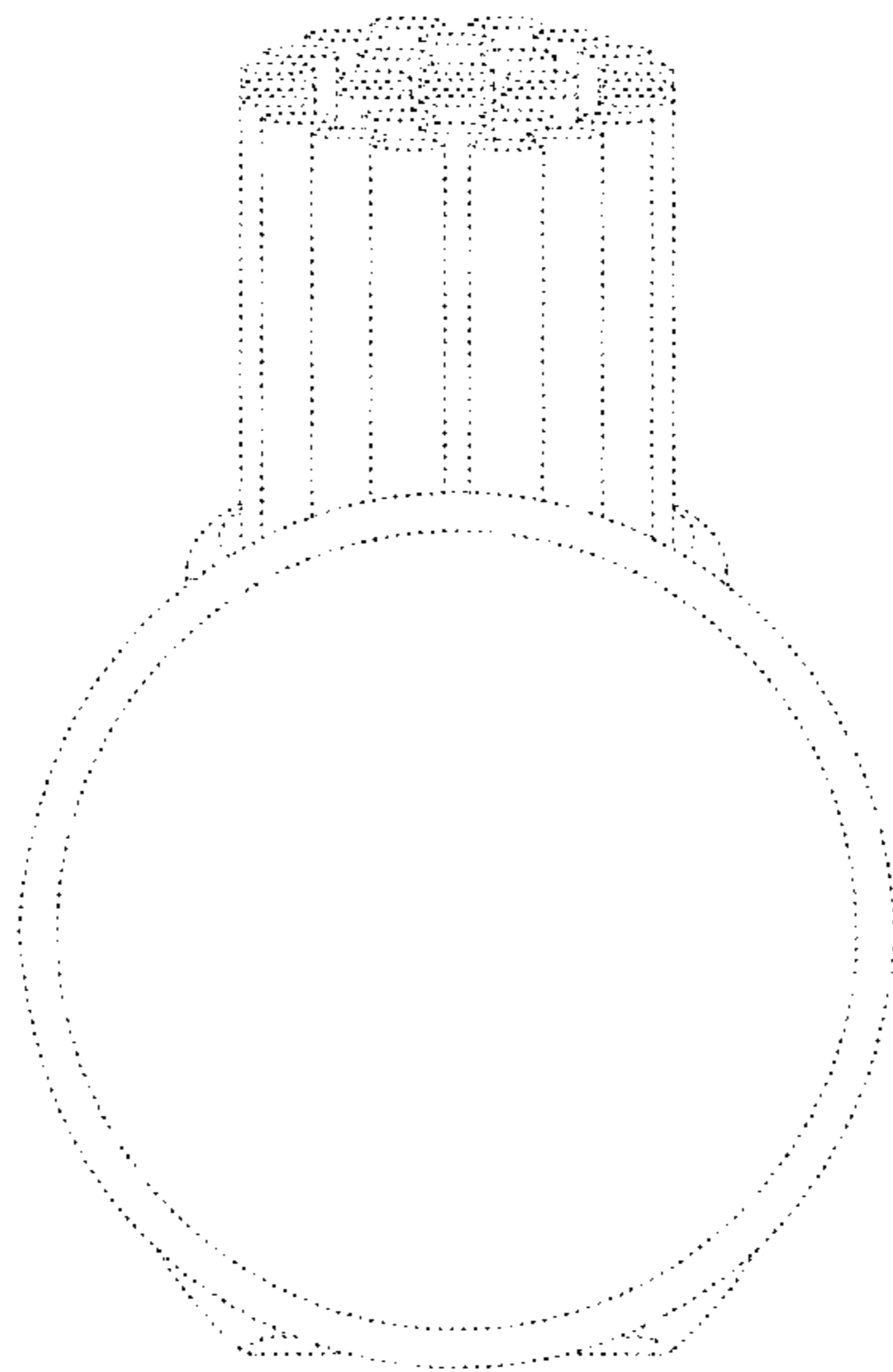


FIG. 8