



US00D834323S

(12) **United States Design Patent** (10) **Patent No.:** **US D834,323 S**
Sohn (45) **Date of Patent:** **** Nov. 27, 2018**

- (54) **BATTERY POWERED TOOTHBRUSH WITH CYLINDRICAL BRUSH**
- (71) Applicant: **Jae Hoon Sohn**, Incheon (KR)
- (72) Inventor: **Jae Hoon Sohn**, Incheon (KR)
- (73) Assignee: **One Star International Co., Ltd.**, Incheon (KR)
- (**) Term: **15 Years**
- (21) Appl. No.: **29/588,854**
- (22) Filed: **Dec. 23, 2016**
- (51) **LOC (11) Cl.** **28-03**
- (52) **U.S. Cl.**
USPC **D4/101**
- (58) **Field of Classification Search**
USPC D4/100, 101, 102, 104, 105, 106, 108, D4/109, 111, 128; D24/119, 152, 176
CPC A46B 5/00; A46B 5/021; A46B 2200/106
See application file for complete search history.

| | | | |
|--------------|---------|----------|--------|
| D702,947 S | 4/2014 | Lee | |
| D743,173 S | 11/2015 | Sohn | |
| D751,821 S * | 3/2016 | Since | D4/101 |
| D778,057 S * | 2/2017 | Sohn | D4/101 |
| D780,455 S * | 3/2017 | Kandemir | D4/101 |
| D798,060 S * | 9/2017 | Shigeno | D4/101 |

FOREIGN PATENT DOCUMENTS

JP D1582184 * 7/2017

* cited by examiner

Primary Examiner — Karen S Acker

Assistant Examiner — Jasmine Mlinarcik

(74) *Attorney, Agent, or Firm* — Robert J. Lauson; Lauson & Tarver LLP

(57) **CLAIM**

I claim the ornamental design for a battery powered toothbrush with cylindrical brush, as shown and described.

DESCRIPTION

FIG. 1 is a front perspective view of the battery powered toothbrush with cylindrical brush.

FIG. 2 is a rear perspective view of the battery powered toothbrush with cylindrical brush.

FIG. 3 is a top view thereof.

FIG. 4 is a bottom view thereof.

FIG. 5 is a left side view thereof, the right side being a mirror image.

FIG. 6 is a front view thereof; and,

FIG. 7 is a rear view thereof.

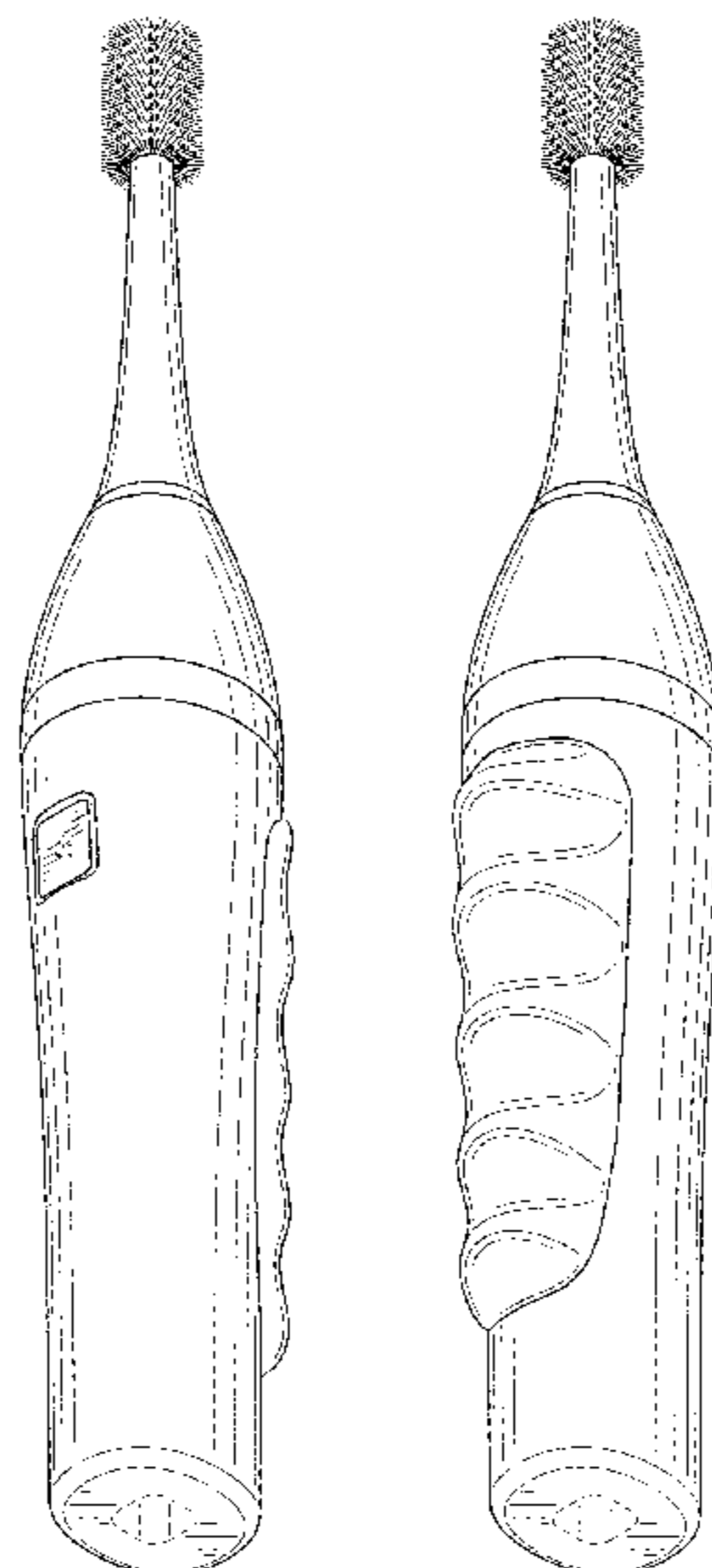
The broken lines depict portions of the battery powered toothbrush with cylindrical brush that form no part of the claimed design.

1 Claim, 2 Drawing Sheets

(56) **References Cited**

U.S. PATENT DOCUMENTS

| | | | |
|--------------|---------|----------|--------|
| D232,278 S | 8/1974 | Gallo | |
| D298,182 S * | 10/1988 | Tarrson | D4/104 |
| D303,043 S * | 8/1989 | Tarrson | D4/104 |
| D321,287 S * | 11/1991 | Woll | D4/106 |
| D344,631 S * | 3/1994 | Reedy | D4/101 |
| D424,303 S | 5/2000 | Tobais | |
| 6,170,107 B1 | 1/2001 | George | |
| D455,012 S | 4/2002 | Perez | |
| 6,582,224 B1 | 6/2003 | Lilien | |
| D492,116 S * | 6/2004 | Nanda | D4/101 |
| D536,528 S * | 2/2007 | Grant | D4/108 |
| D586,125 S * | 2/2009 | Winkler | D4/101 |
| D627,566 S * | 11/2010 | Smith | D4/108 |
| 7,992,246 B2 | 8/2011 | Takeuchi | |
| D696,517 S * | 12/2013 | Gebski | D4/101 |



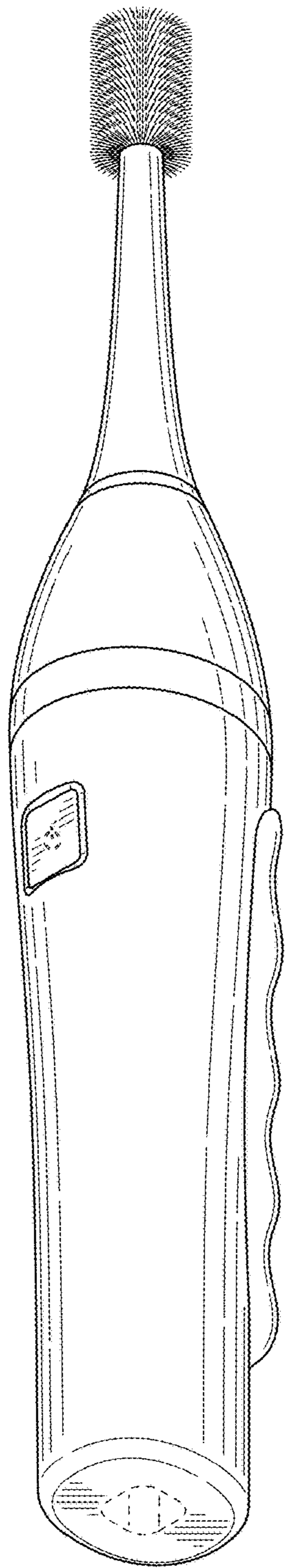


FIG. 1

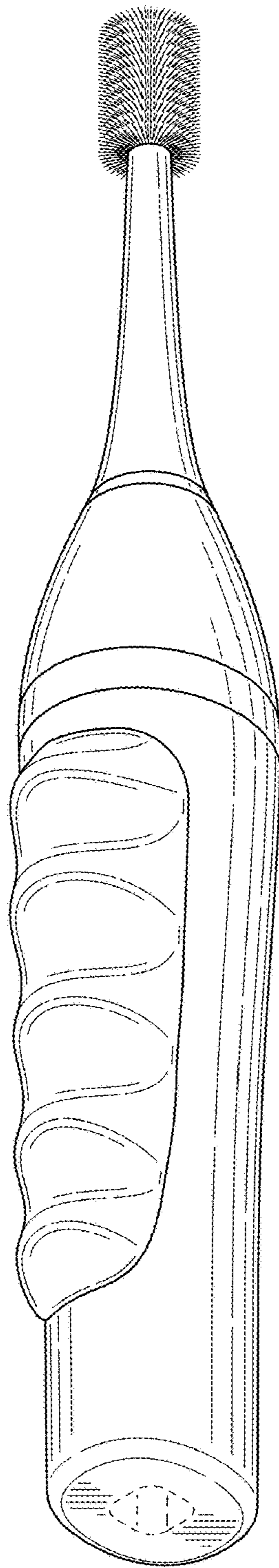


FIG. 2

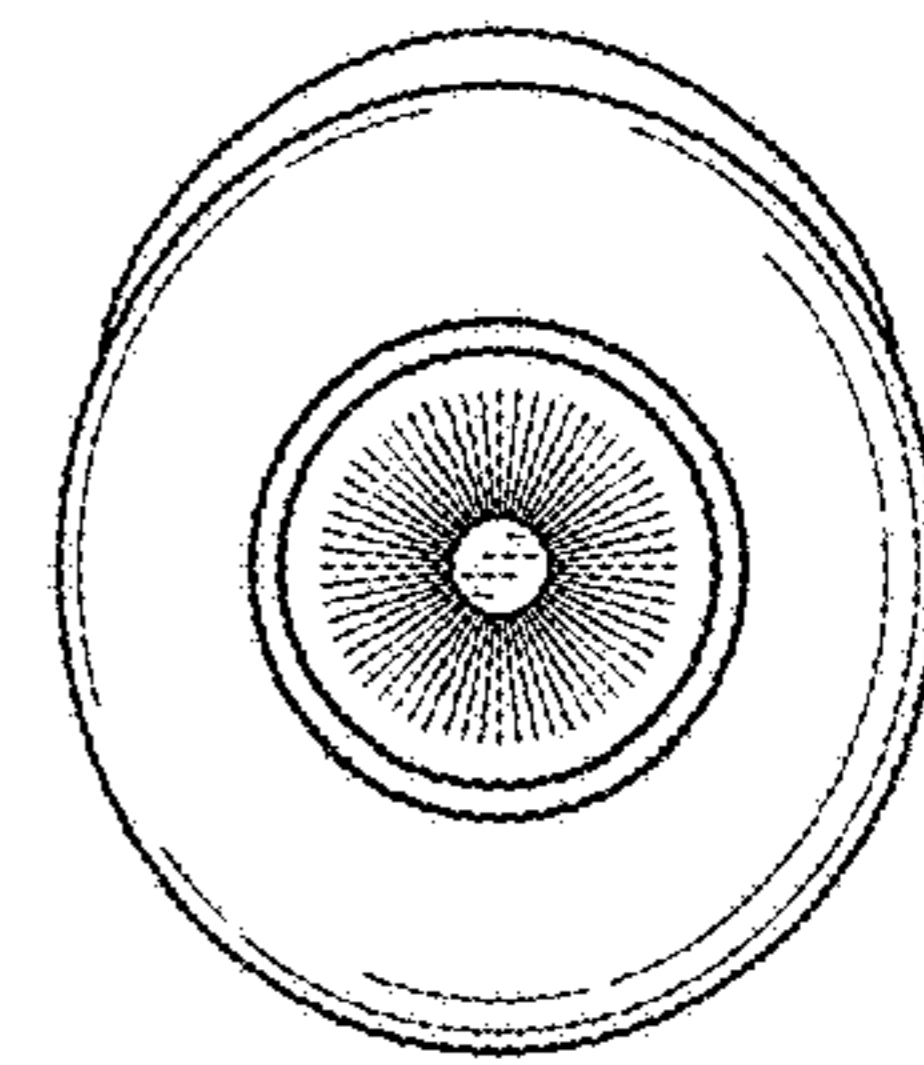


FIG. 3

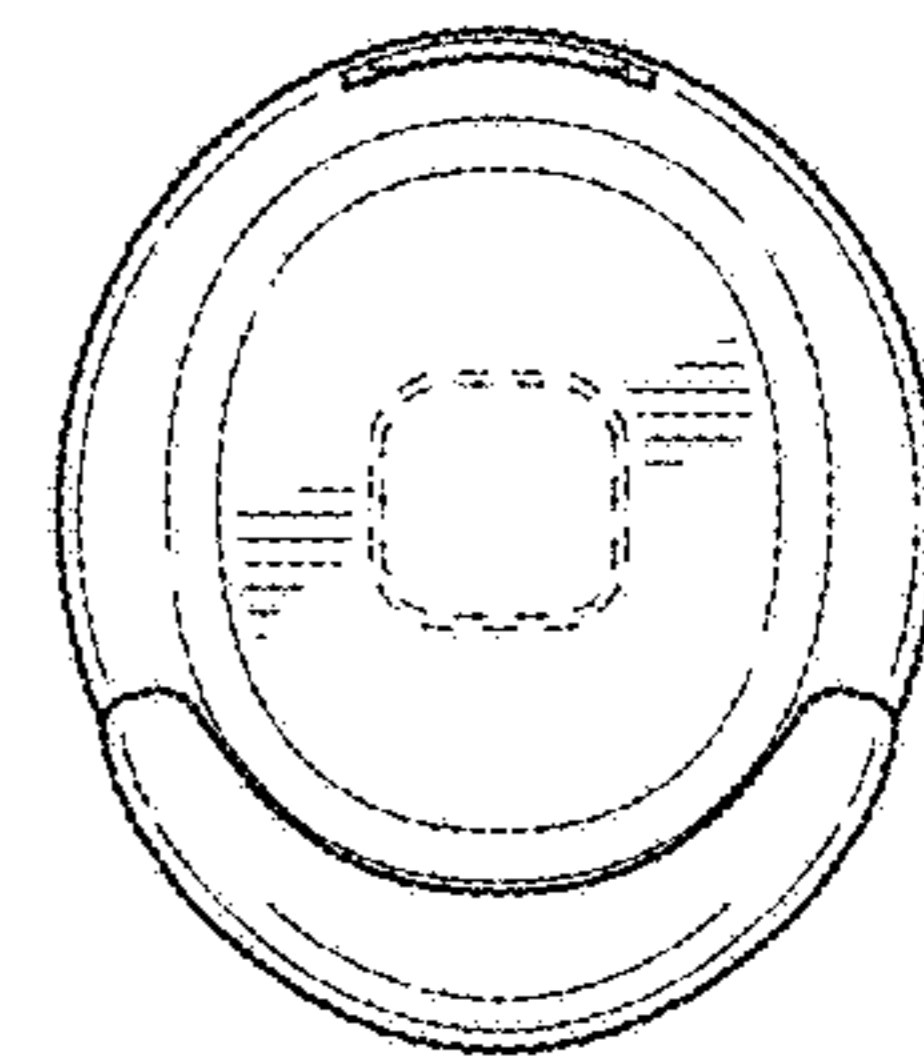


FIG. 4

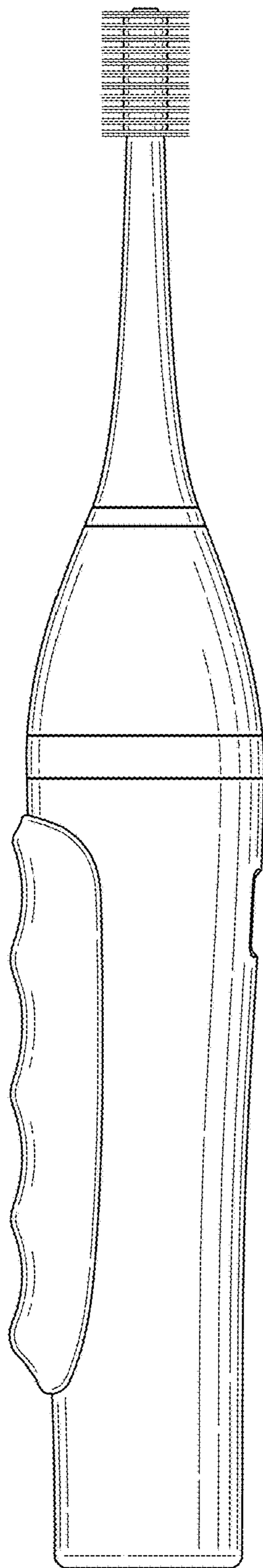


FIG. 5

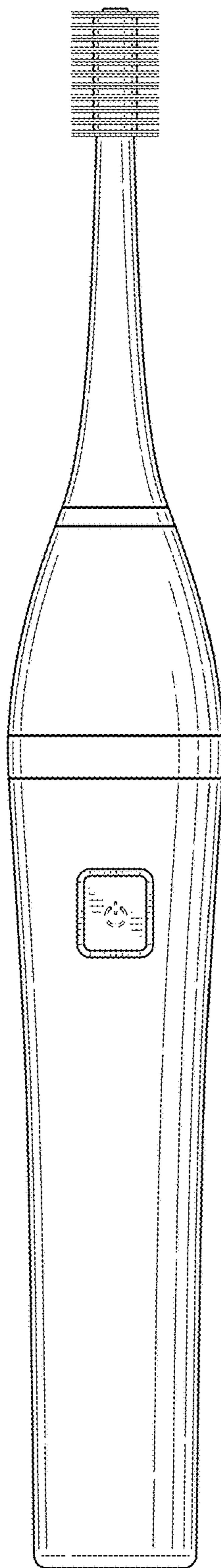


FIG. 6

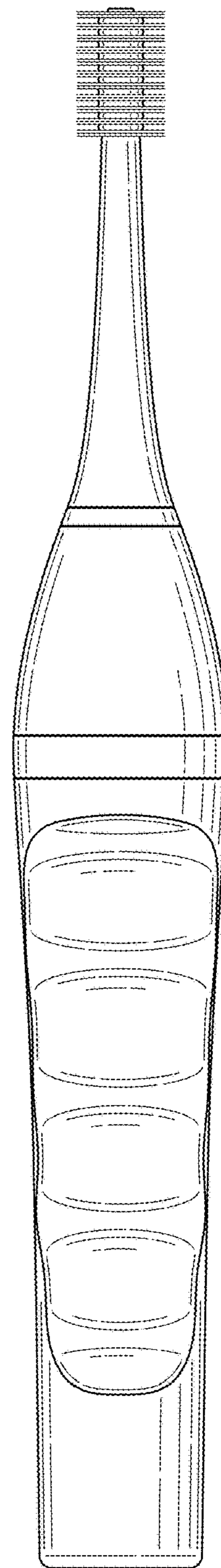


FIG. 7