

US00D834322S

(12) **United States Design Patent** (10) **Patent No.:** **US D834,322 S**
Sohn (45) **Date of Patent:** **** Nov. 27, 2018**

(54) **BATTERY POWERED TOOTHBRUSH WITH CYLINDRICAL BRUSH**

D718,057 S * 11/2014 Massee D4/101
D743,173 S 11/2015 Sohn
D759,381 S * 6/2016 Watkins D4/101
D778,057 S * 2/2017 Sohn D4/101
D780,455 S * 3/2017 Kandemir D4/101

(71) Applicant: **One Star International Co., Ltd.**,
Incheon (KR)

(72) Inventor: **Jae Hoon Sohn**, Incheon (KR)

(73) Assignee: **One Star International Co., Ltd.**,
Incheon (KR)

(**) Term: **15 Years**

(21) Appl. No.: **29/588,428**

(22) Filed: **Dec. 20, 2016**

(51) **LOC (11) Cl.** **04-02**

(52) **U.S. Cl.**
USPC **D4/101; D4/109**

(58) **Field of Classification Search**
USPC D4/100, 101, 102, 104, 105, 106, 108,
D4/109, 111, 128; D24/119, 152, 176
CPC .. A46B 5/00; A46B 5/021; A46B 9/04; A46B
9/10; A46B 2200/106
See application file for complete search history.

(56) **References Cited**

U.S. PATENT DOCUMENTS

D232,278 S 8/1974 Gallo
D298,182 S * 10/1988 Tarrson D4/104
D303,043 S * 8/1989 Tarrson D4/104
D321,287 S * 11/1991 Woll D4/106
D344,631 S * 3/1994 Reedy D4/101
D424,303 S 5/2000 Tobals
6,170,107 B1 1/2001 George
D455,012 S 4/2002 Perez
6,582,224 B1 6/2003 Liken
D492,116 S * 6/2004 Nanda D4/101
D536,528 S * 2/2007 Grant D4/108
D627,566 S * 11/2010 Smith D4/108
7,992,246 B2 8/2011 Takeuchi
D696,517 S * 12/2013 Gebski D4/101
D702,947 S 4/2014 Lee

FOREIGN PATENT DOCUMENTS

JP D1582183 * 7/2017

* cited by examiner

Primary Examiner — Karen S Acker

Assistant Examiner — Jasmine Mlinarcik

(74) *Attorney, Agent, or Firm* — Robert J. Lauson;
Lauson & Tarver LLP

(57) **CLAIM**

I claim the ornamental design for a battery powered toothbrush with cylindrical brush, as shown and described.

DESCRIPTION

FIG. 1 is a perspective view of the battery powered toothbrush with cylindrical brush.

FIG. 2 is an enlarged top view thereof.

FIG. 3 is an enlarged bottom view thereof.

FIG. 4 is a right side view thereof, the left side being a mirror image.

FIG. 5 is a front view thereof.

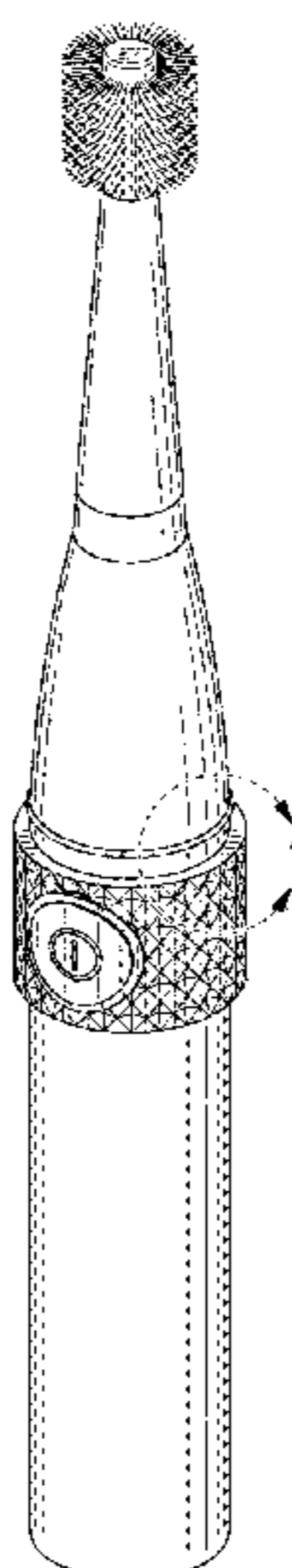
FIG. 6 is a rear view thereof.

FIG. 7 is an enlarged perspective view of area 7 indicated in FIG. 1; and,

FIG. 8 is a cross-sectional view taken along line 8-8 in FIG. 7.

The broken lines along the bottom of the battery powered toothbrush with cylindrical brush in FIG. 3 depict portions of the article that form no part of the claimed design. The broken lines in FIGS. 1, 7 and 8 define the bounds of the enlarged detail view and cross sectional view, and form no part of the claimed design.

1 Claim, 3 Drawing Sheets



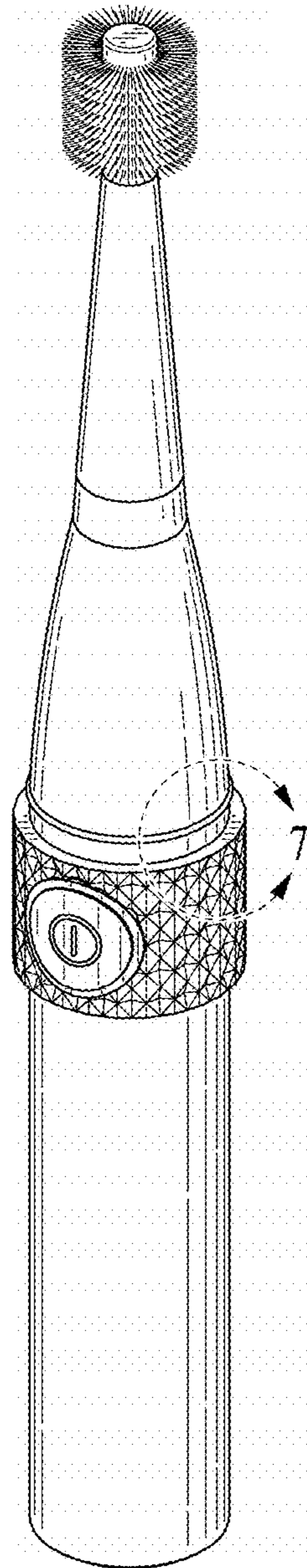


FIG. 1

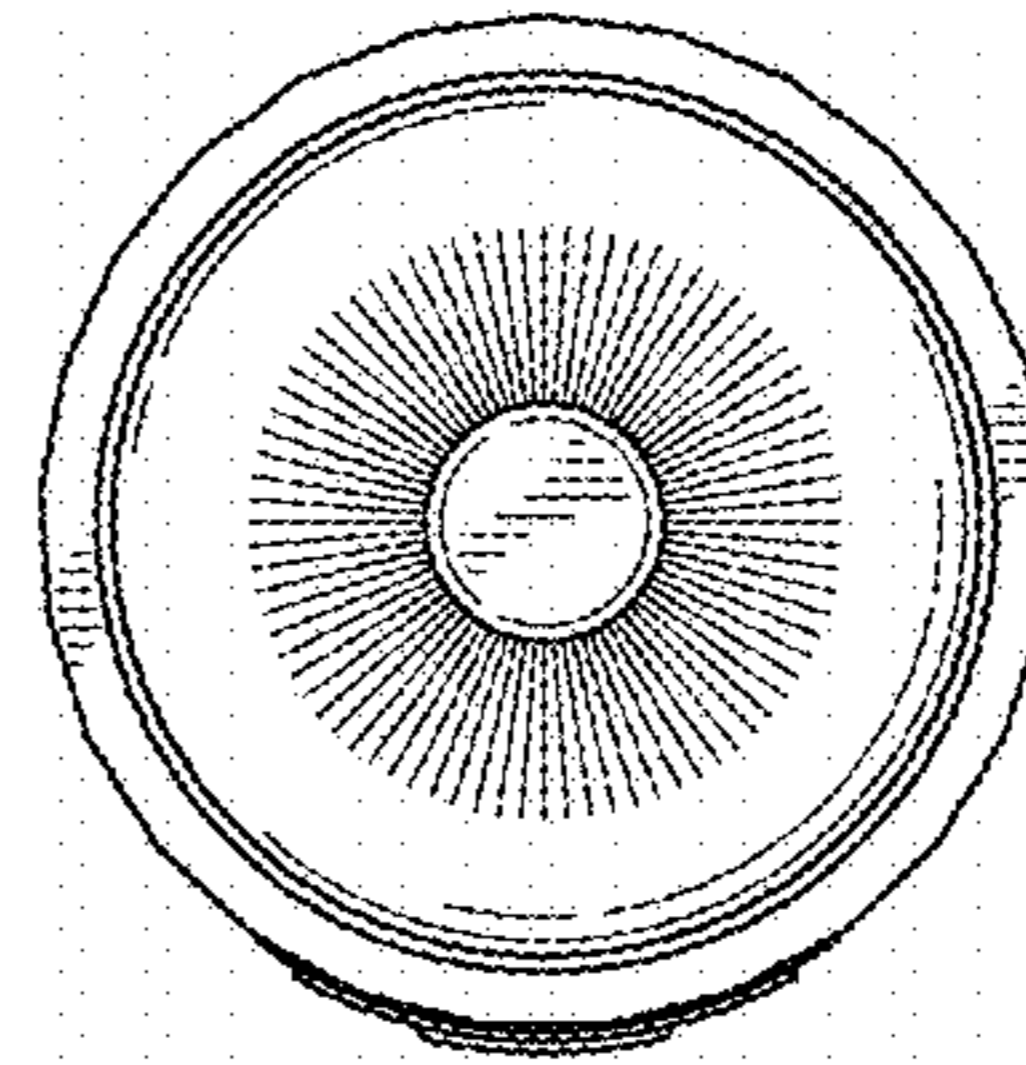


FIG. 2

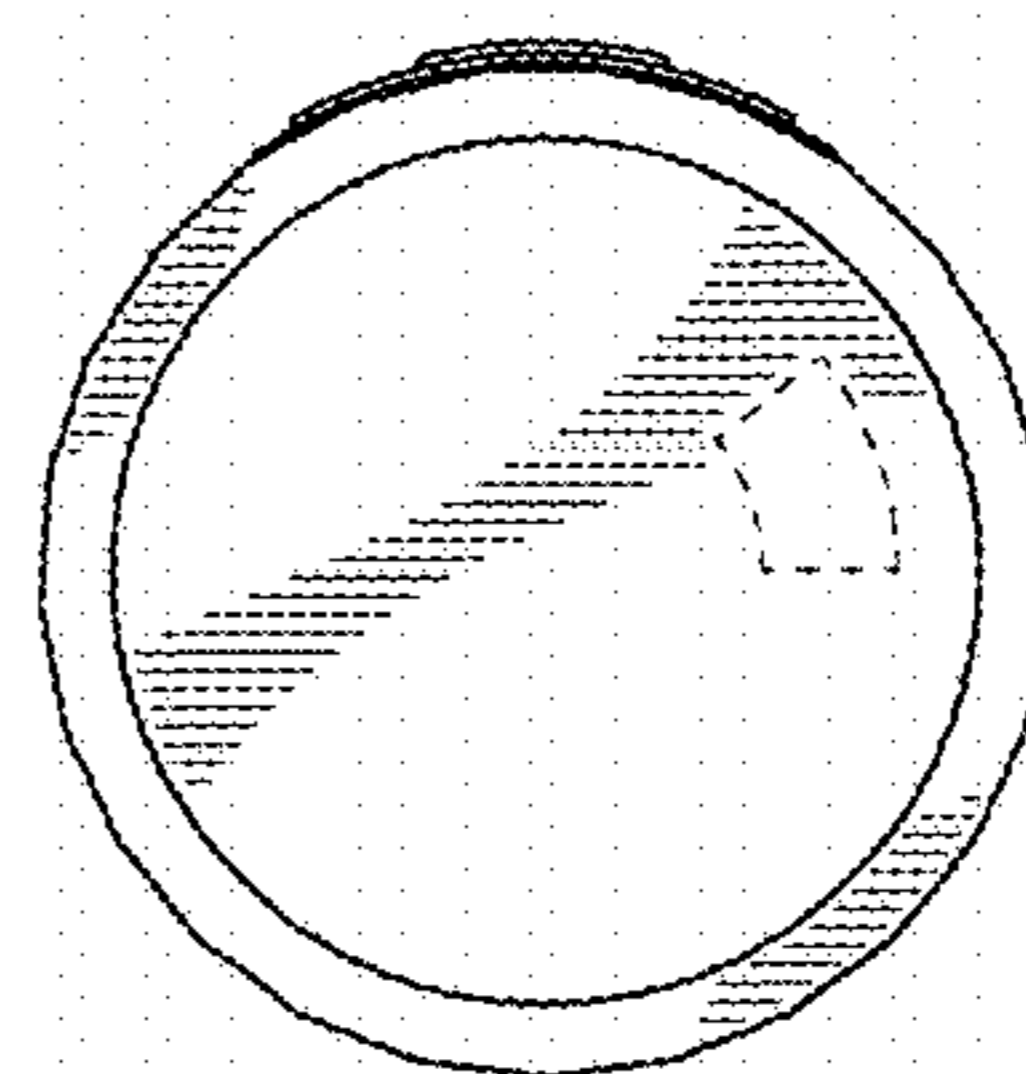


FIG. 3

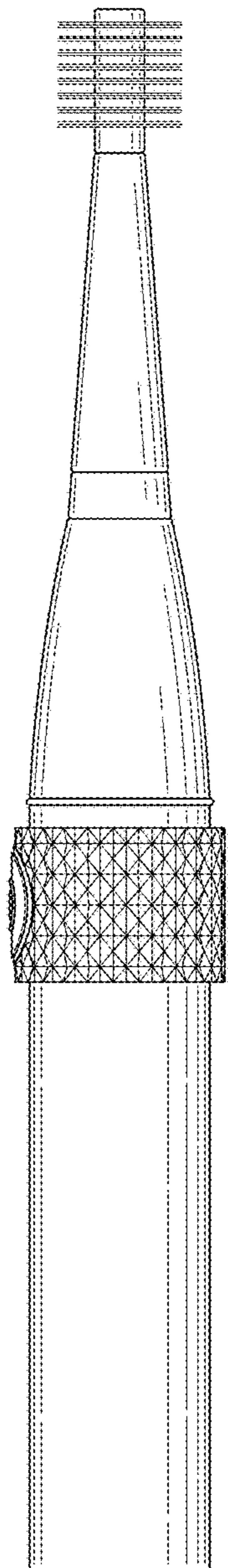


FIG. 4

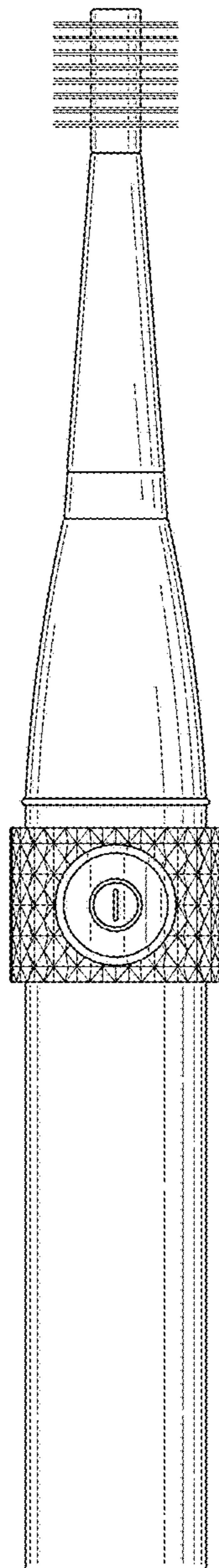


FIG. 5

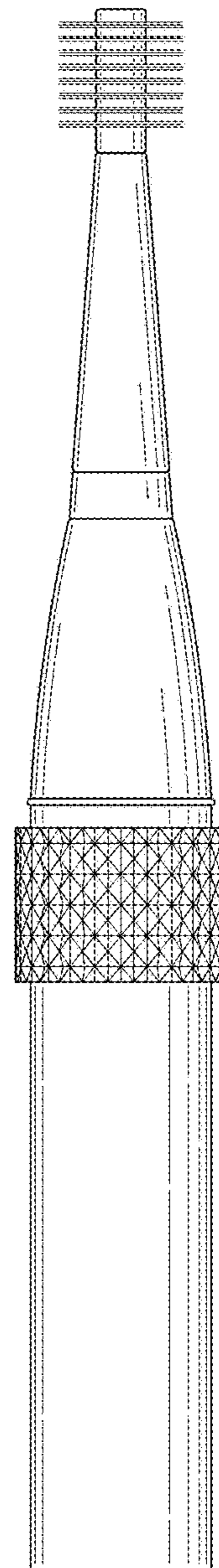


FIG. 6

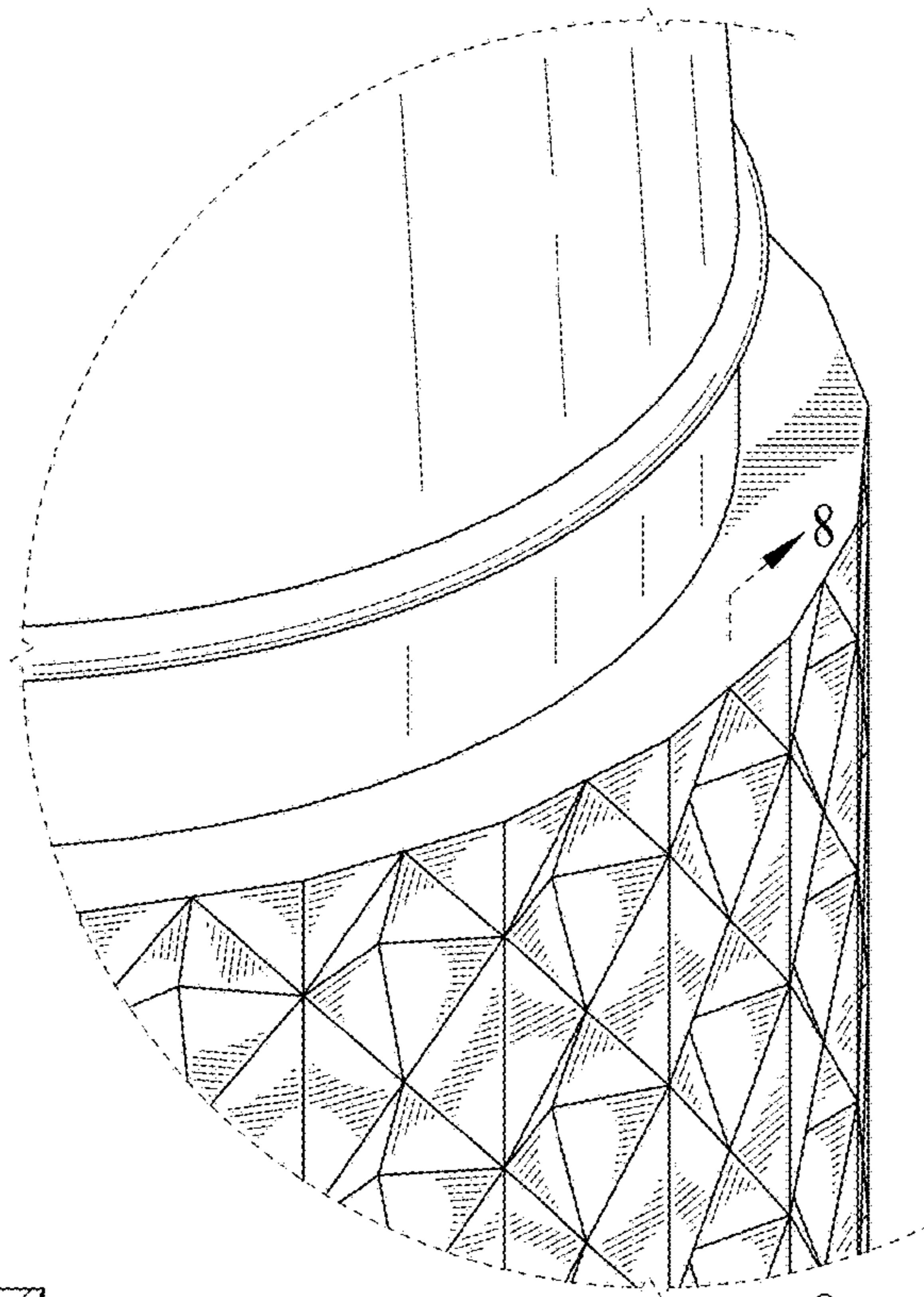


FIG. 7

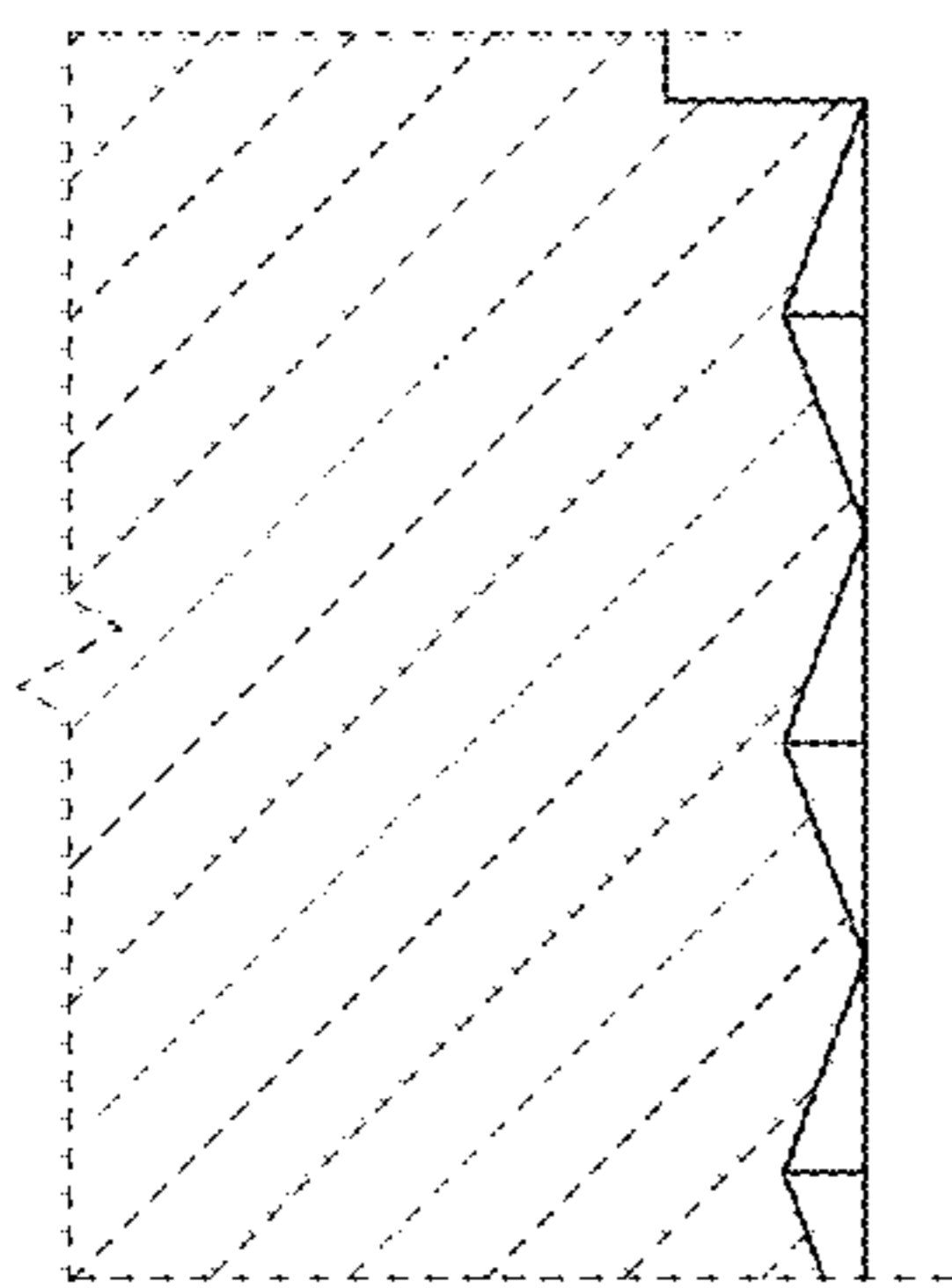


FIG. 8