



US00D834320S

(12) **United States Design Patent**  
**Mironski**

(10) **Patent No.:** **US D834,320 S**

(45) **Date of Patent:** **\*\* Nov. 27, 2018**

(54) **RETAINING STRAP FOR MOLLE EQUIPMENT**

D701,692 S \* 4/2014 Heller ..... D3/216  
9,295,319 B1 3/2016 Hilliard et al.  
D794,332 S \* 8/2017 Papas ..... D3/327  
D825,060 S \* 8/2018 Finch ..... D24/167

(71) Applicant: **Tomasz Boguslaw Mironski**, Cameron, NC (US)

\* cited by examiner

(72) Inventor: **Tomasz Boguslaw Mironski**, Cameron, NC (US)

*Primary Examiner* — Holly H Baynham  
(74) *Attorney, Agent, or Firm* — Dunlap Bennett & Ludwig PLLC; Brendan E. Squire

(\*\*) Term: **15 Years**

(57) **CLAIM**

(21) Appl. No.: **29/621,465**

The ornamental design for a retaining strap for MOLLE equipment, as shown and described.

(22) Filed: **Oct. 9, 2017**

**DESCRIPTION**

(51) **LOC (11) Cl.** ..... **03-01**

(52) **U.S. Cl.**  
USPC ..... **D3/327**

(58) **Field of Classification Search**  
USPC ..... D3/221, 327  
CPC .... A45C 3/02; A45C 5/00; A45C 5/14; A45C 1/04

See application file for complete search history.

FIG. 1 is a top front perspective view of the retaining strap for MOLLE equipment showing my new design;  
FIG. 2 is a top rear perspective view thereof;  
FIG. 3 is a front elevation view thereof;  
FIG. 4 is a rear elevation view thereof;  
FIG. 5 is a right elevation view thereof, with the left elevation view being a mirror image thereof;  
FIG. 6 is a top plan view thereof;  
FIG. 7 is a bottom plan view thereof; and,  
FIG. 8 is a top front perspective view thereof, shown in use applied to a pouch.

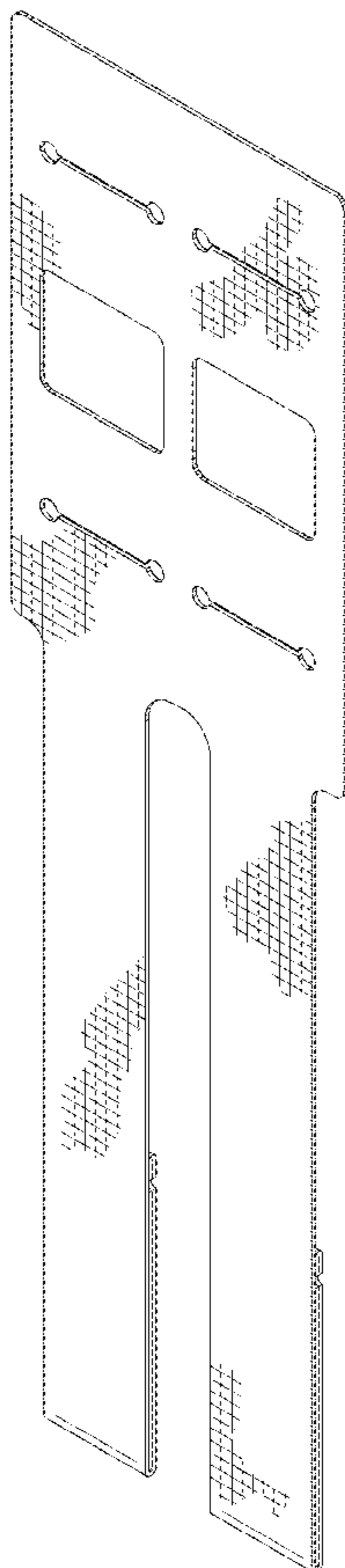
The broken lines in FIG. 8 showing the retaining strap for MOLLE equipment in use illustrates environment and forms no part of the claim.

(56) **References Cited**

**U.S. PATENT DOCUMENTS**

D614,401 S \* 4/2010 Schifter ..... D3/221  
8,458,864 B1 \* 6/2013 Patton ..... A61F 5/3792  
24/16 R

**1 Claim, 4 Drawing Sheets**



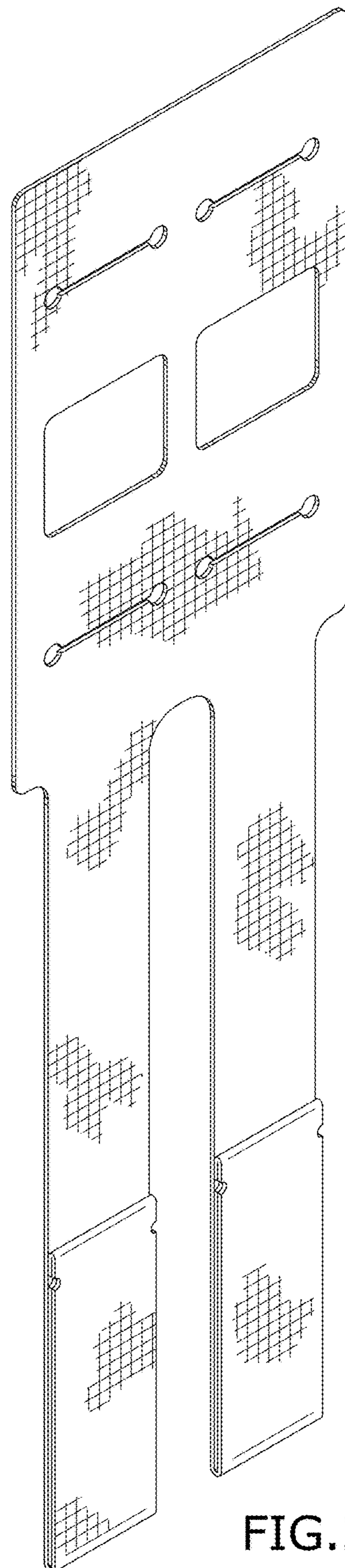
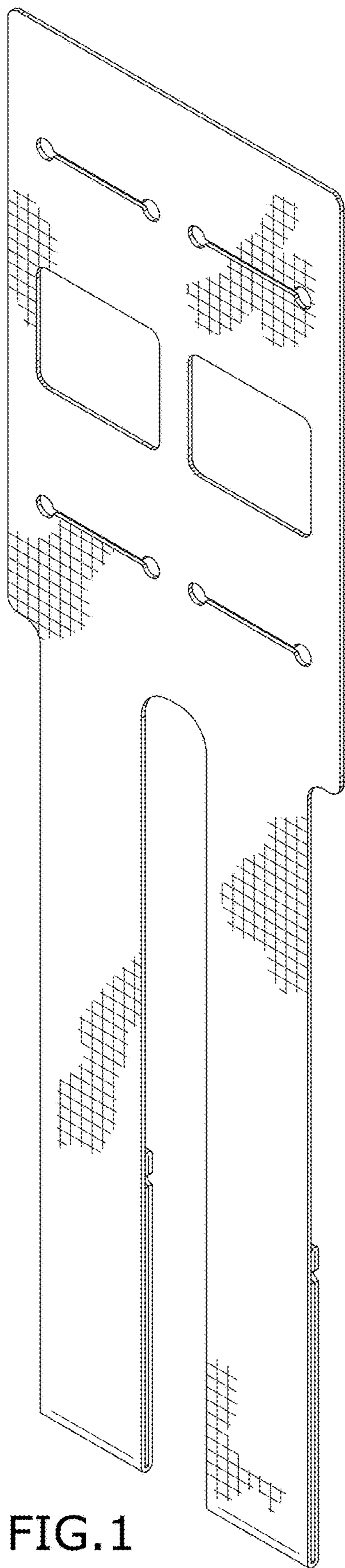


FIG. 1

FIG. 2

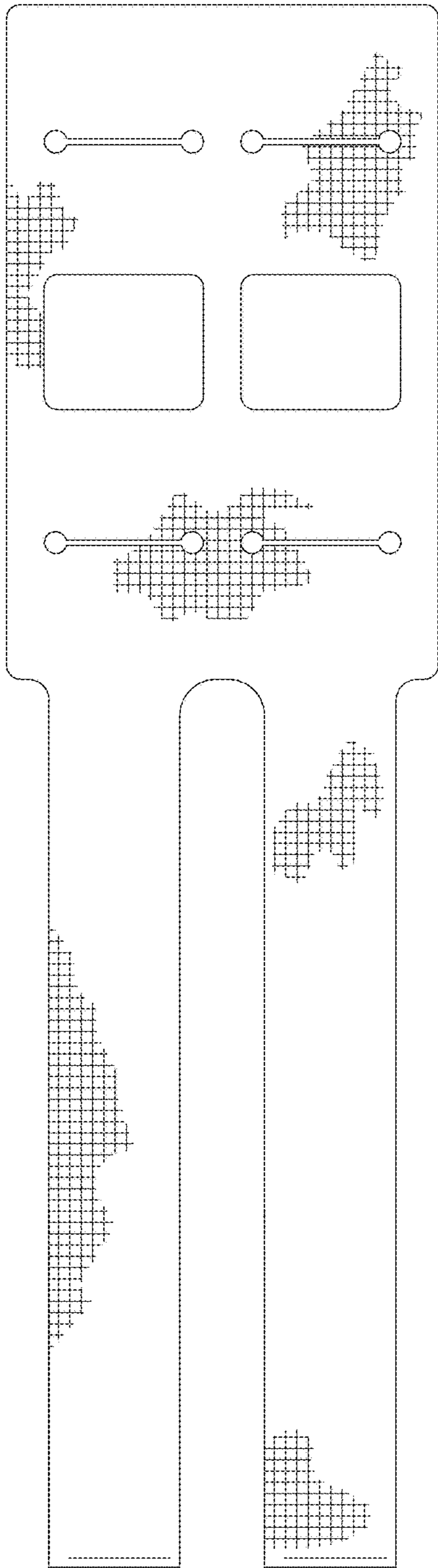


FIG. 3

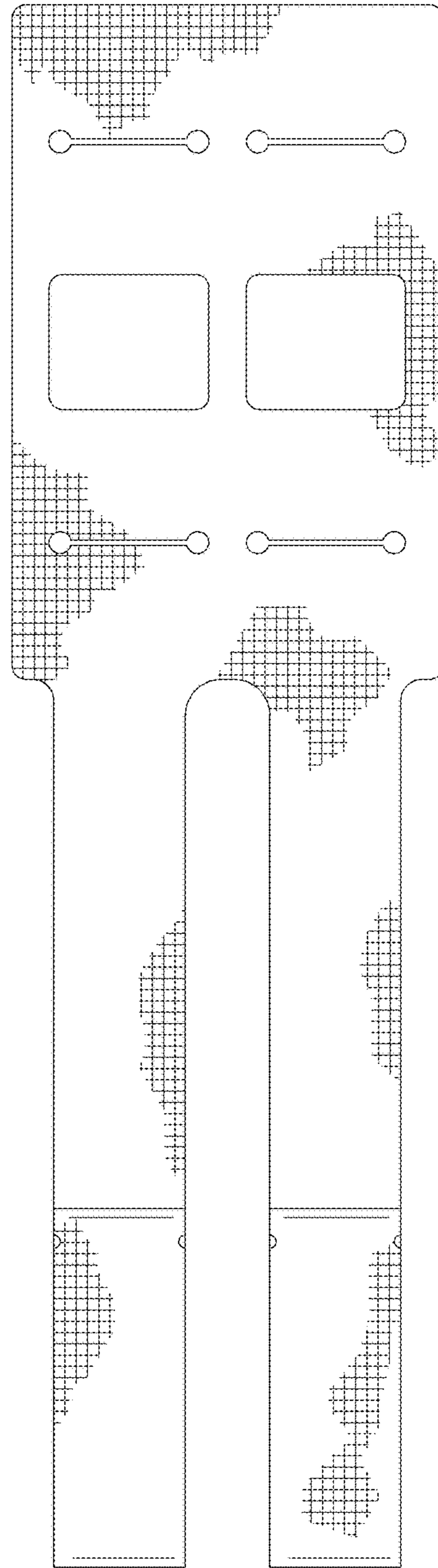


FIG. 4

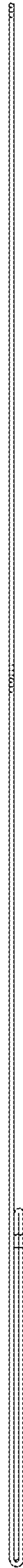


FIG. 5

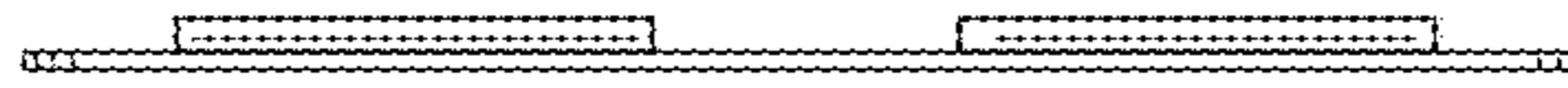


FIG. 6

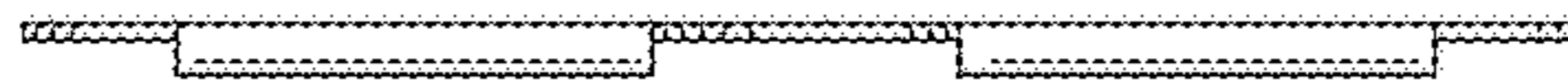


FIG. 7

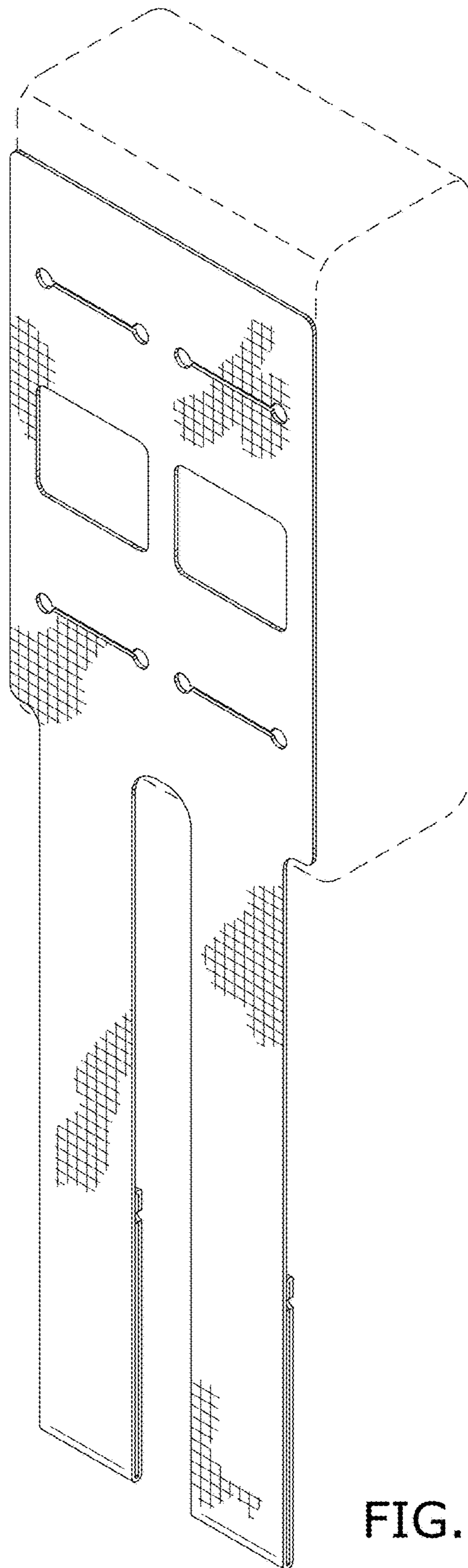


FIG.8