



US00D834318S

(12) **United States Design Patent** (10) **Patent No.:** **US D834,318 S**
Lai (45) **Date of Patent:** **** Nov. 27, 2018**

(54) **LUGGAGE HANDLE**

(71) Applicant: **Wei-Hung Lai**, Taichung (TW)

(72) Inventor: **Wei-Hung Lai**, Taichung (TW)

(**) Term: **15 Years**

(21) Appl. No.: **29/610,601**

(22) Filed: **Jul. 13, 2017**

(30) **Foreign Application Priority Data**

May 31, 2017 (TW) 106302935

(51) **LOC (11) Cl.** **03-01**

(52) **U.S. Cl.**
USPC **D3/318**

(58) **Field of Classification Search**
USPC D8/318
CPC A45C 13/08; A45C 13/26; A45C 13/28;
A45C 13/00

See application file for complete search history.

(56) **References Cited**

U.S. PATENT DOCUMENTS

D737,574 S * 9/2015 Reinhart D3/318
D781,586 S * 3/2017 Reinhart D3/318

D790,858 S * 7/2017 Reinhart D3/318

* cited by examiner

Primary Examiner — Holly H Baynham

(74) *Attorney, Agent, or Firm* — Wang Law Firm, Inc.

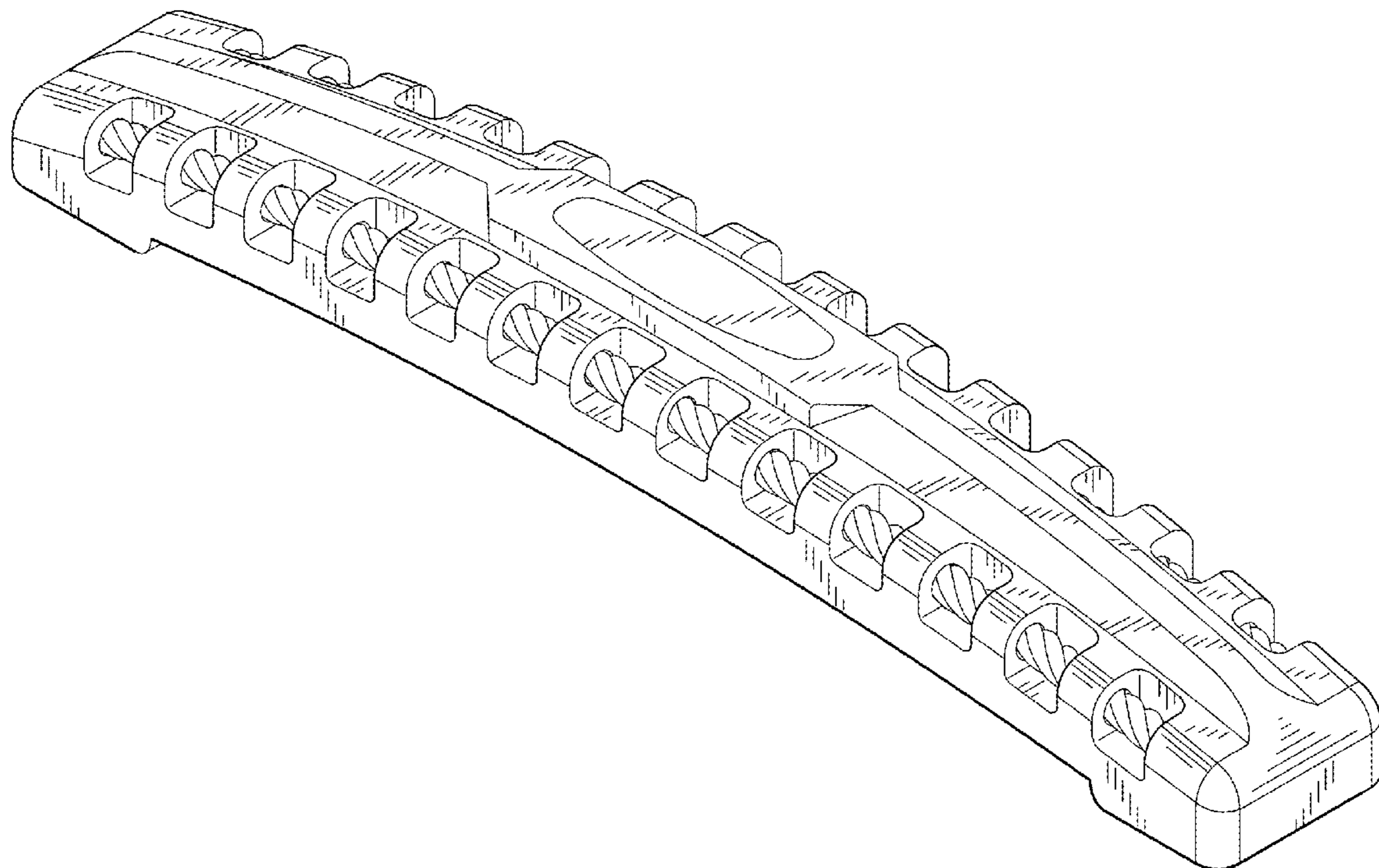
(57) **CLAIM**

The ornamental design for a luggage handle, as shown.

DESCRIPTION

FIG. 1 is a perspective view of a luggage handle in accordance with the present invention;
FIG. 2 is a front view thereof;
FIG. 3 is a rear view thereof;
FIG. 4 is a left view thereof;
FIG. 5 is a right view thereof;
FIG. 6 is a top view thereof;
FIG. 7 is a bottom view thereof;
FIG. 8 is a reduced scale, environmental perspective view thereof; and,
FIG. 9 is another environmental perspective view with the handle in a raised position.
The broken lines showing portions of a suitcase are for the purposes of illustrating environment and forms no part of the claimed design.

1 Claim, 6 Drawing Sheets



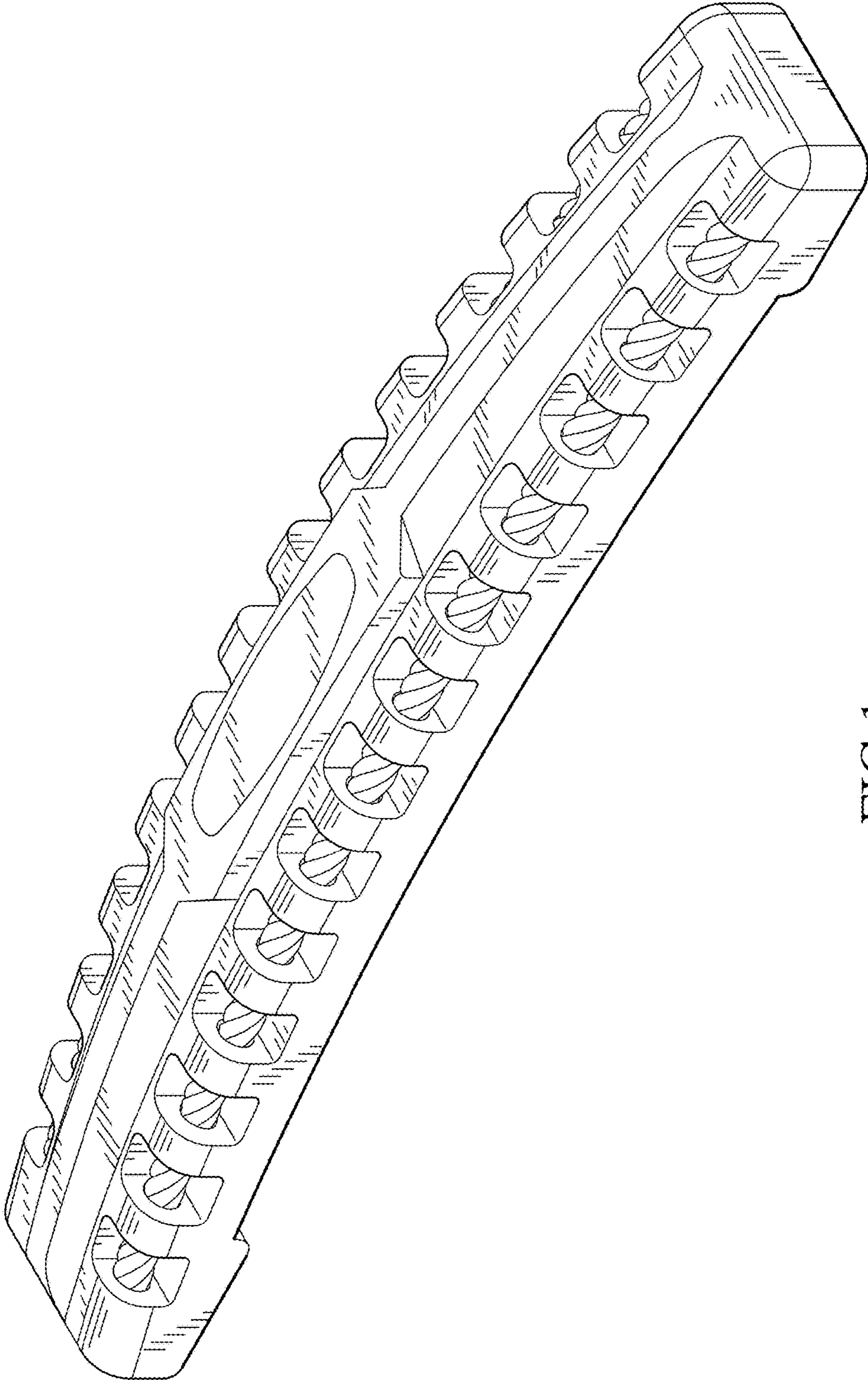


FIG.1

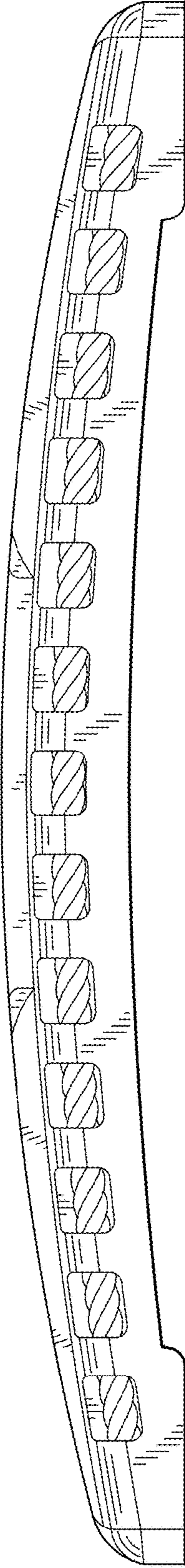


FIG. 2

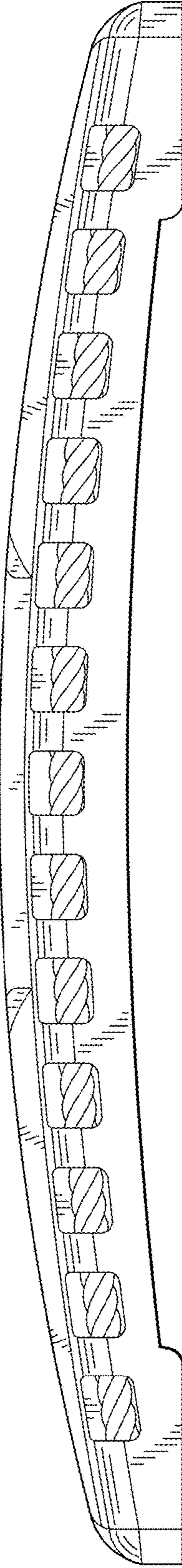


FIG. 3

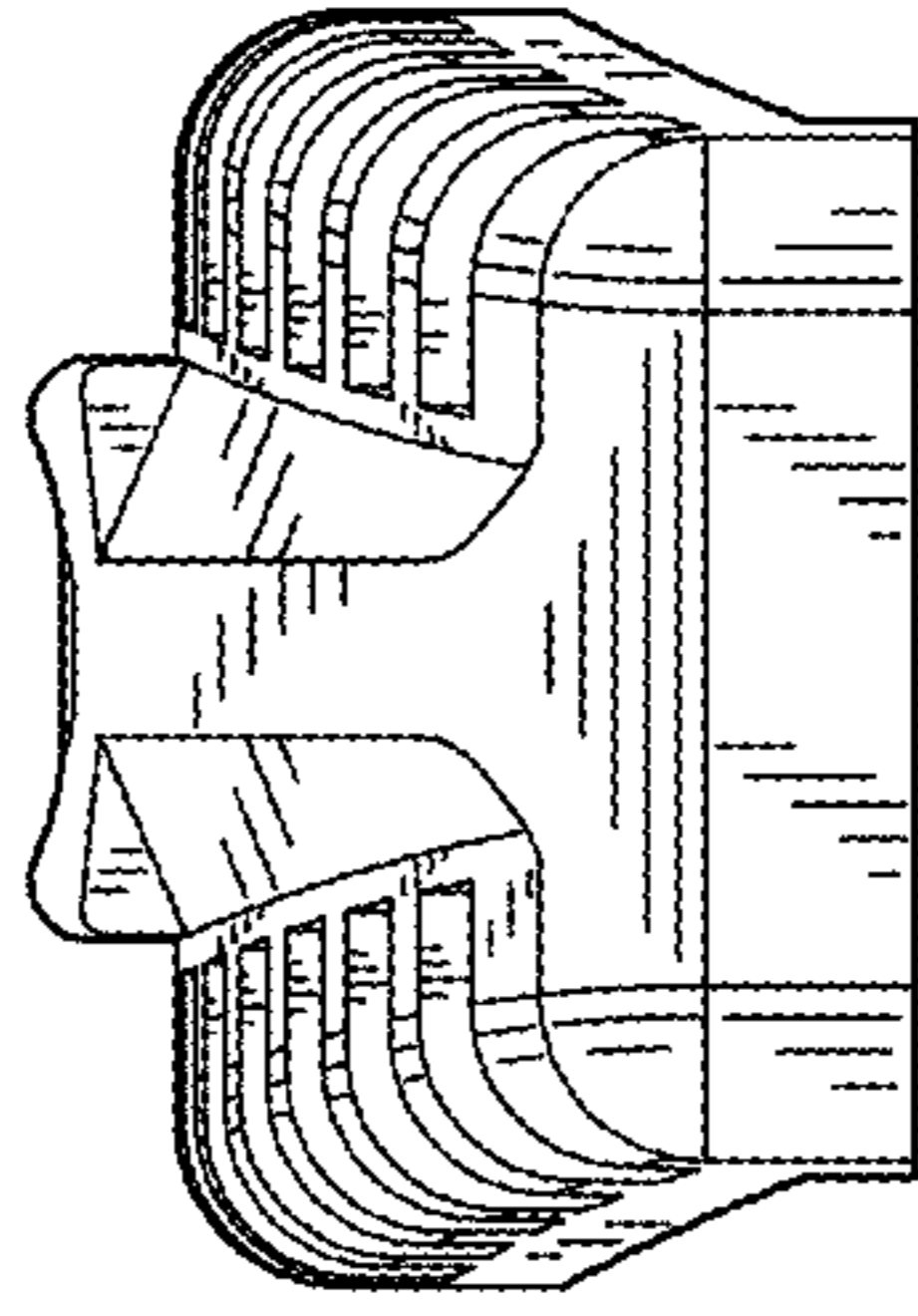


FIG. 4

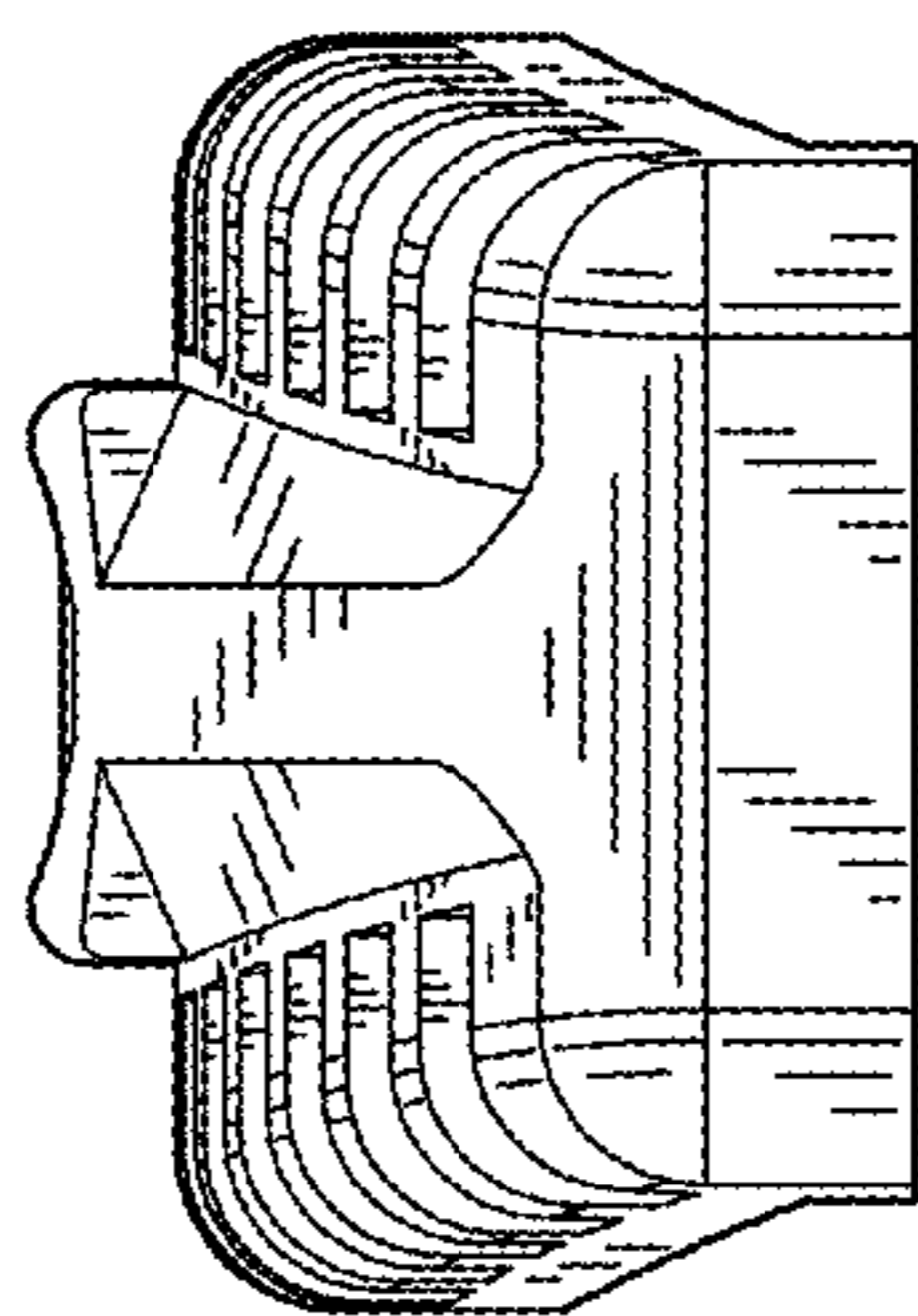


FIG. 5

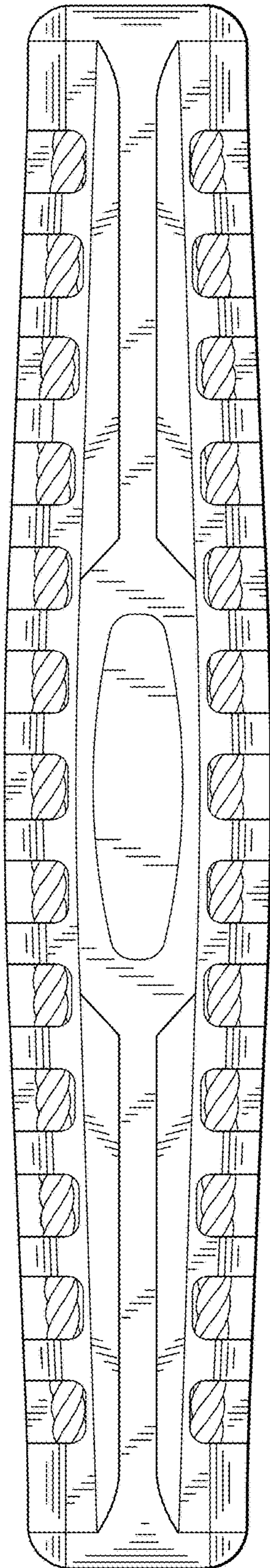


FIG. 6

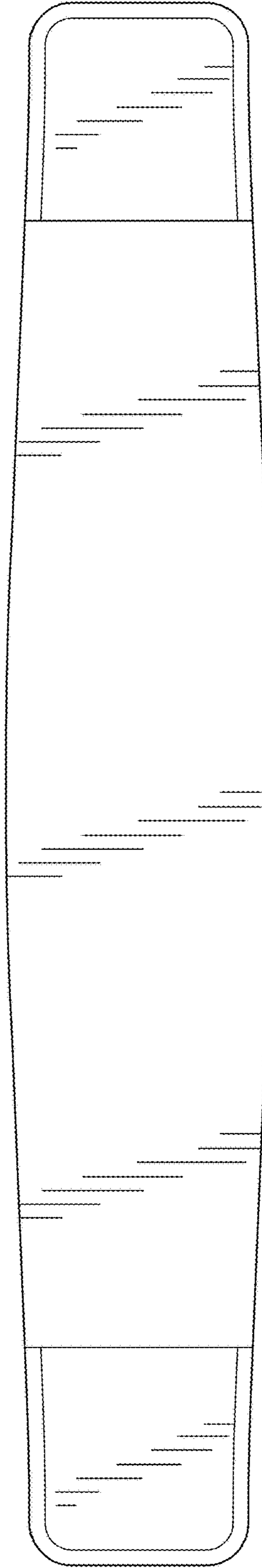


FIG. 7

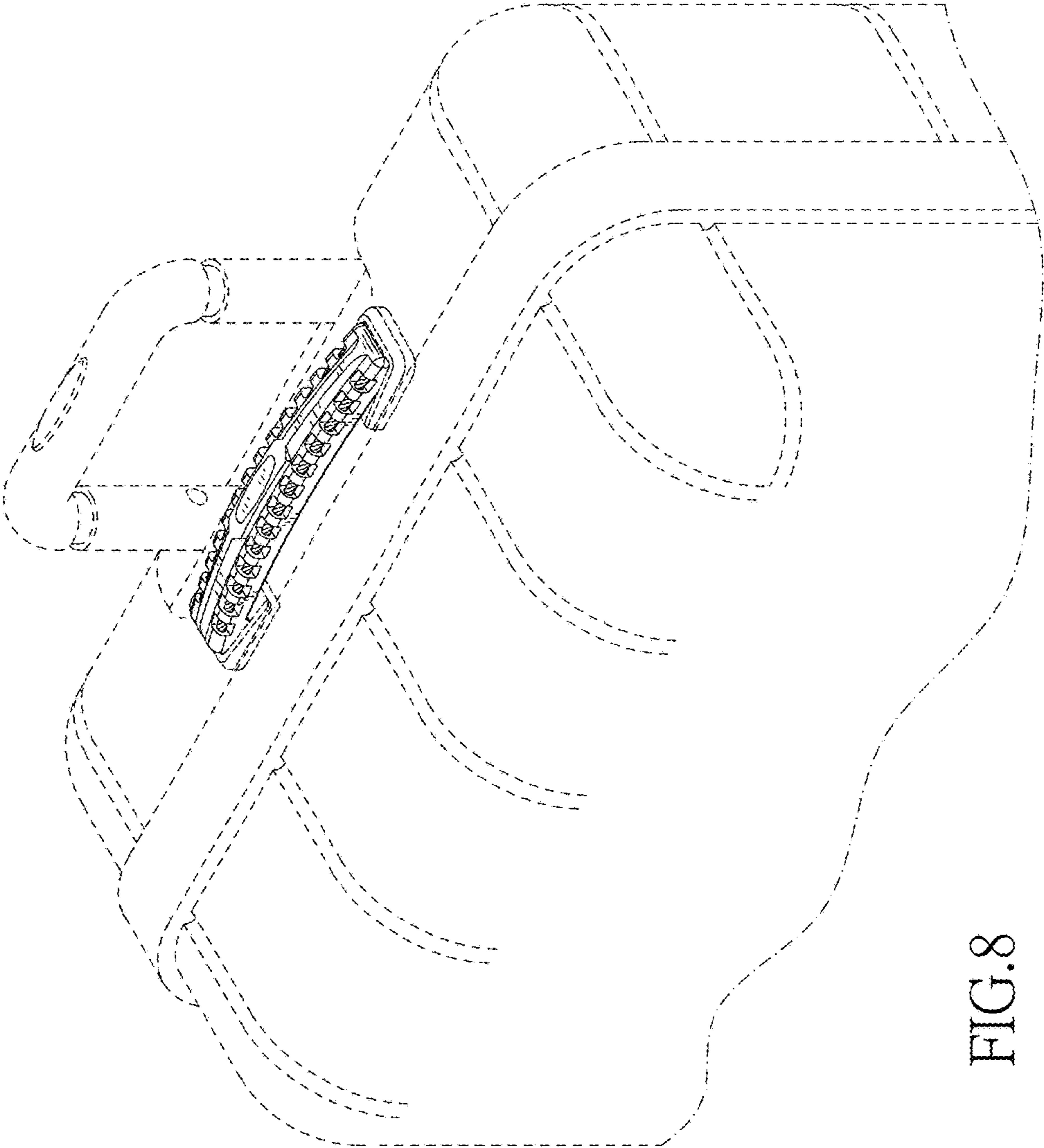


FIG.8

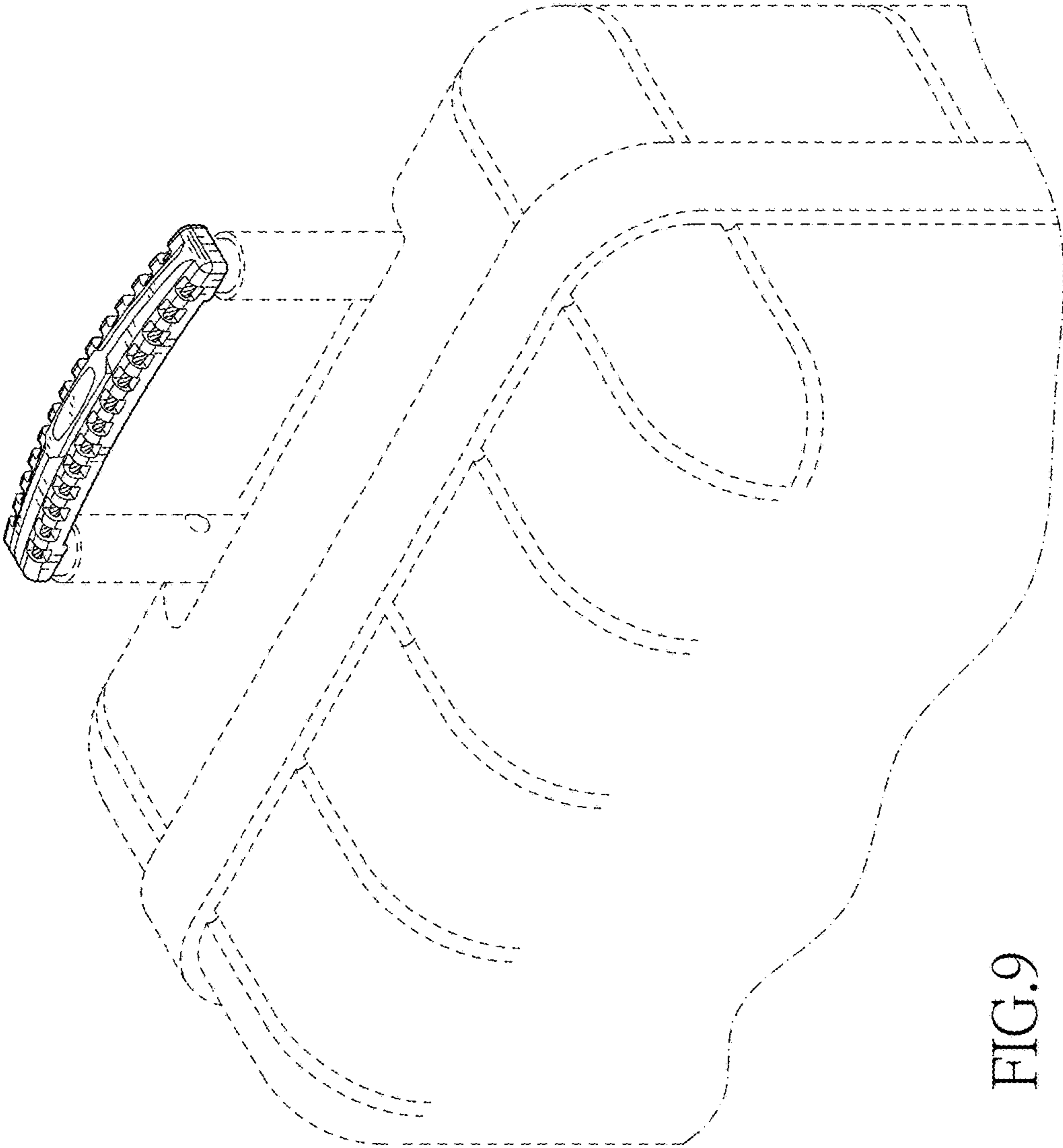


FIG. 9