



US00D834317S

(12) **United States Design Patent**
Kite et al.

(10) **Patent No.:** **US D834,317 S**

(45) **Date of Patent:** **** Nov. 27, 2018**

(54) **HANDBAG**

D787,818 S 5/2017 Gerbelle
D789,684 S * 6/2017 Michele D3/232
D790,852 S 7/2017 Gerbelle

(71) Applicant: **J. Choo Limited**, London (GB)

* cited by examiner

(72) Inventors: **Sally Kite**, London (GB); **Rina Gerbelle**, Paris (FR)

Primary Examiner — Holly H Baynham

(73) Assignee: **J. Choo Limited**, London (GB)

(74) *Attorney, Agent, or Firm* — Fross Zelnick Lehrman & Zissu, P.C.; Lawrence E. Apolzon, Esq.

(**) Term: **15 Years**

(57) **CLAIM**

(21) Appl. No.: **29/603,869**

The ornamental design for a handbag, as shown and described.

(22) Filed: **May 12, 2017**

DESCRIPTION

(30) **Foreign Application Priority Data**

Nov. 21, 2016 (EP) 003475870-0001

(51) **LOC (11) Cl.** **03-01**

(52) **U.S. Cl.**

USPC **D3/318**

(58) **Field of Classification Search**

USPC D3/232-233, 240-243, 245-246

CPC A45C 1/024; A45C 3/06

See application file for complete search history.

FIG. 1 is a front perspective view of the handbag;

FIG. 2 is a left side view thereof;

FIG. 3 is a right side view thereof;

FIG. 4 is a front view thereof;

FIG. 5 is a back view thereof;

FIG. 6 is a top view thereof; and,

FIG. 7 is a bottom view thereof.

The break lines indicate indeterminate length.

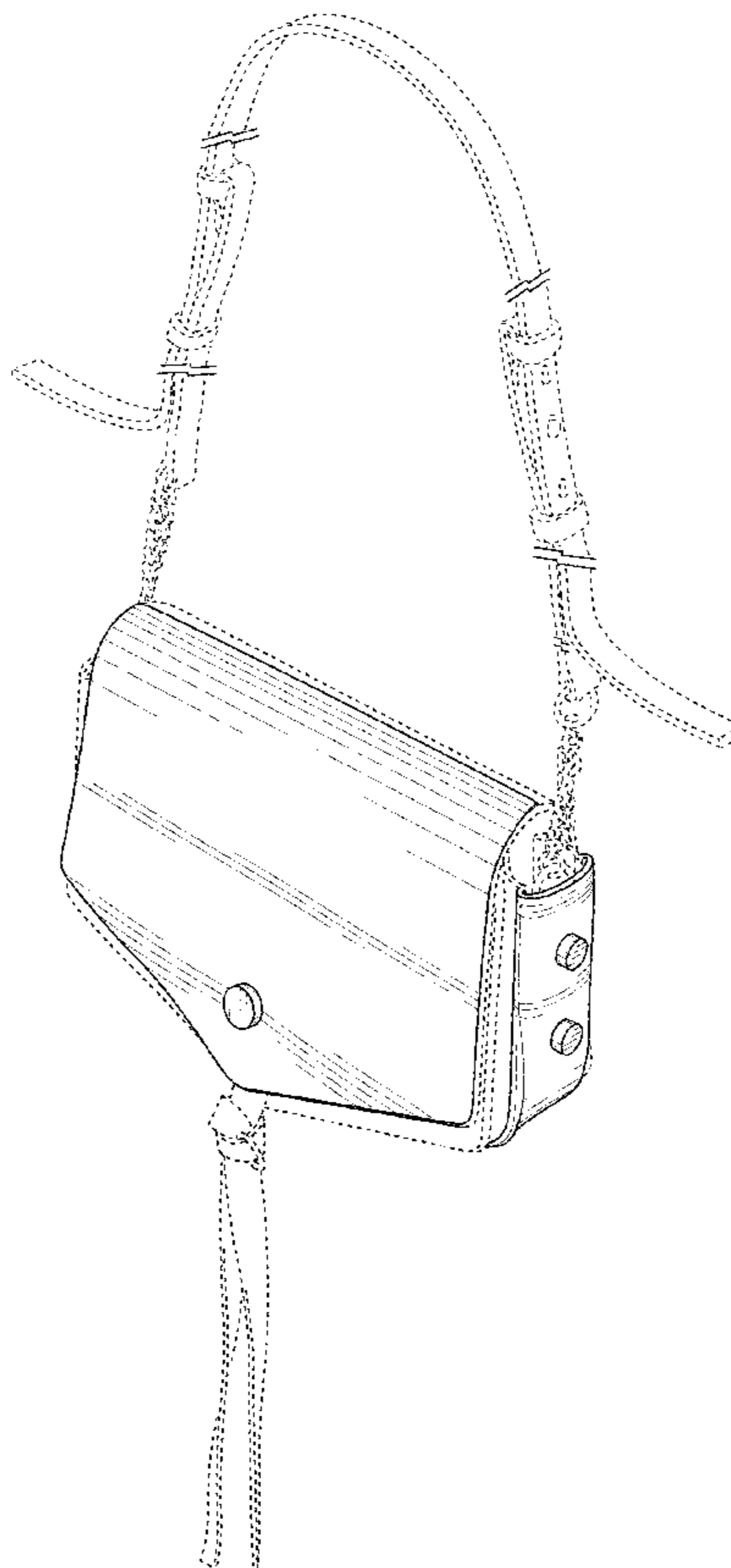
The broken lines showing the handles, portion of the straps, zippers, zipper pulls, metal clasp, hanging leather tabs and portions of the body of the bag are for the purposes of illustrating environment and forms no part of the claimed design.

(56) **References Cited**

U.S. PATENT DOCUMENTS

D772,563 S * 11/2016 Carol-Libman D3/232

1 Claim, 5 Drawing Sheets



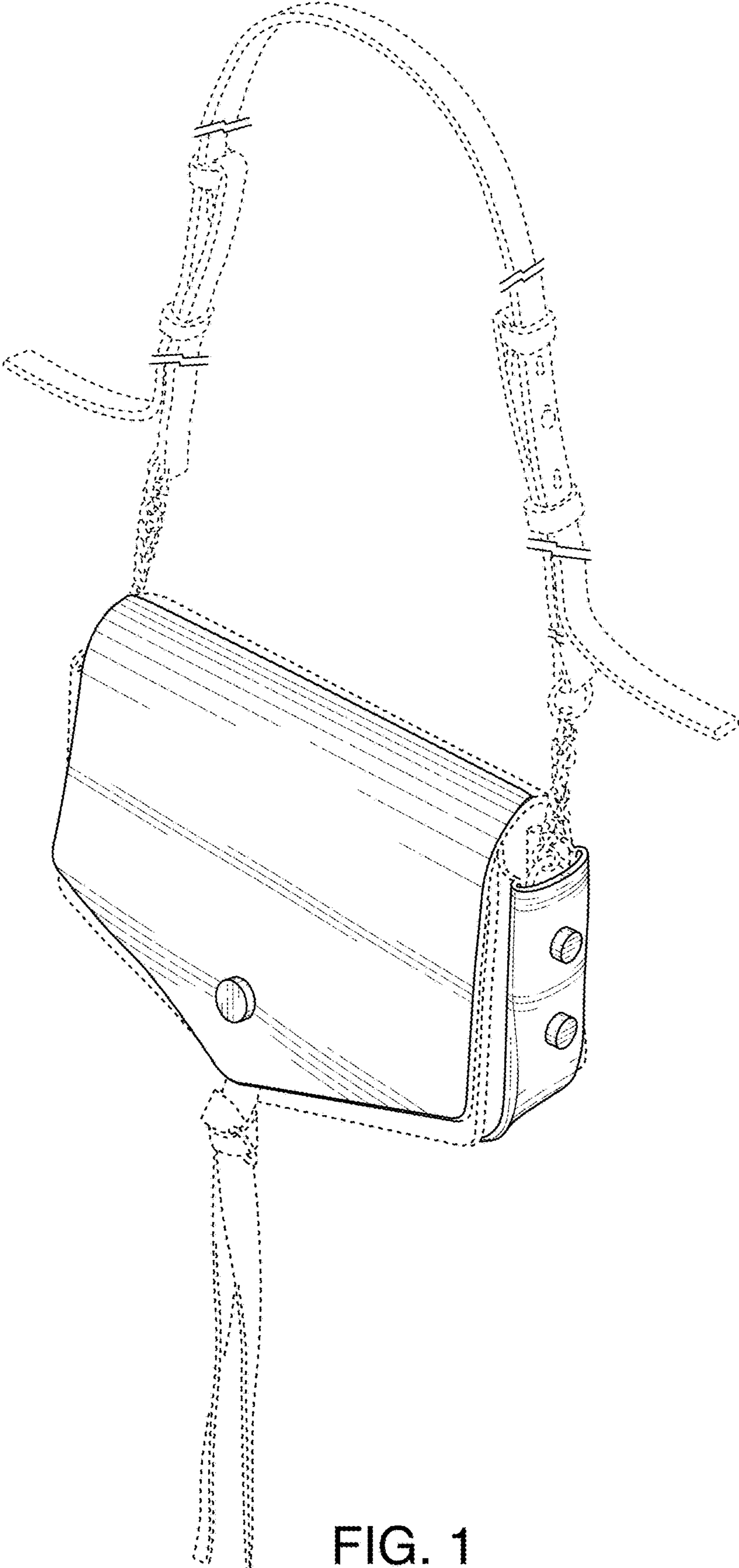


FIG. 1

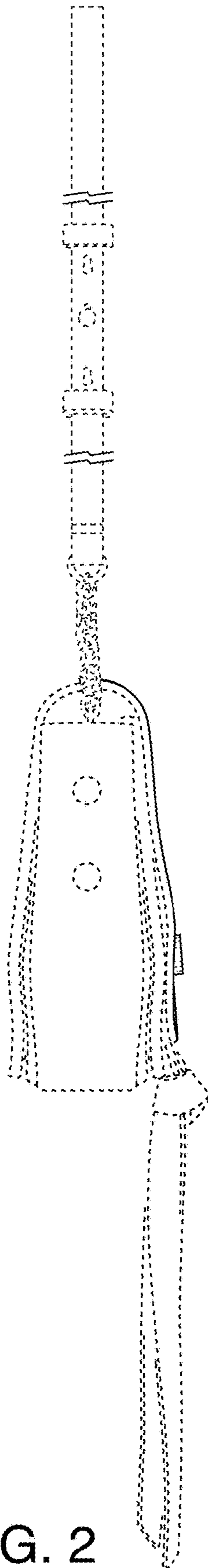


FIG. 2

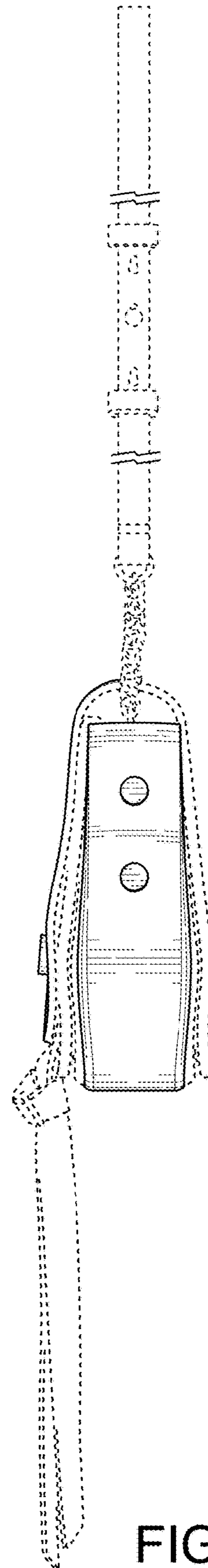


FIG. 3

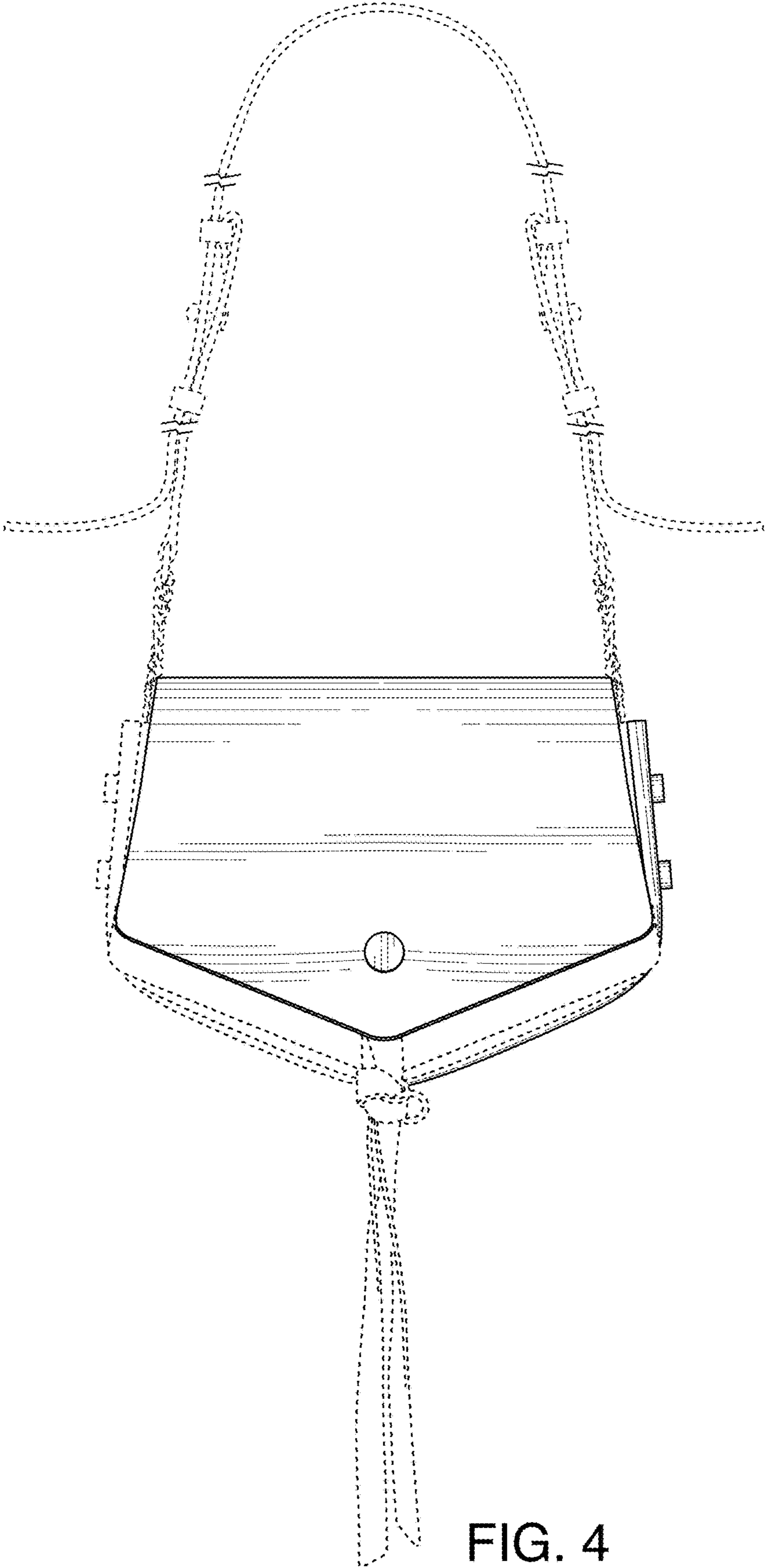


FIG. 4

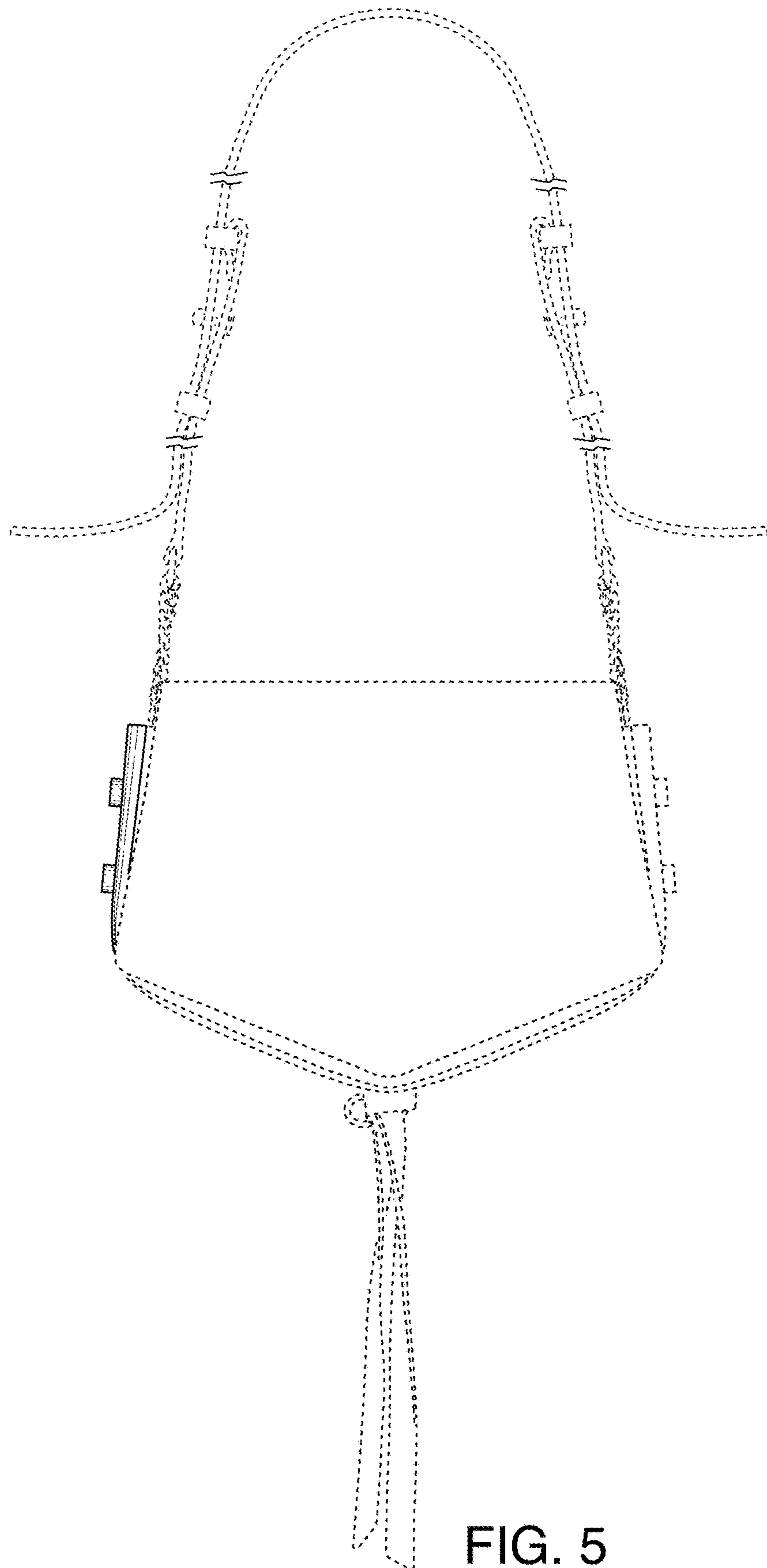


FIG. 5

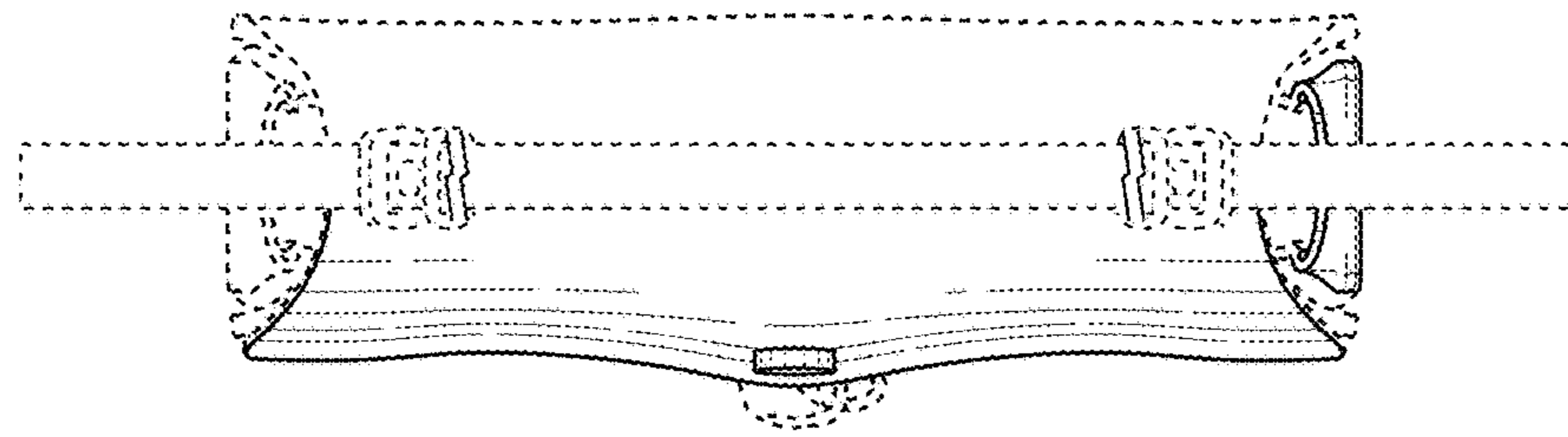


FIG. 6

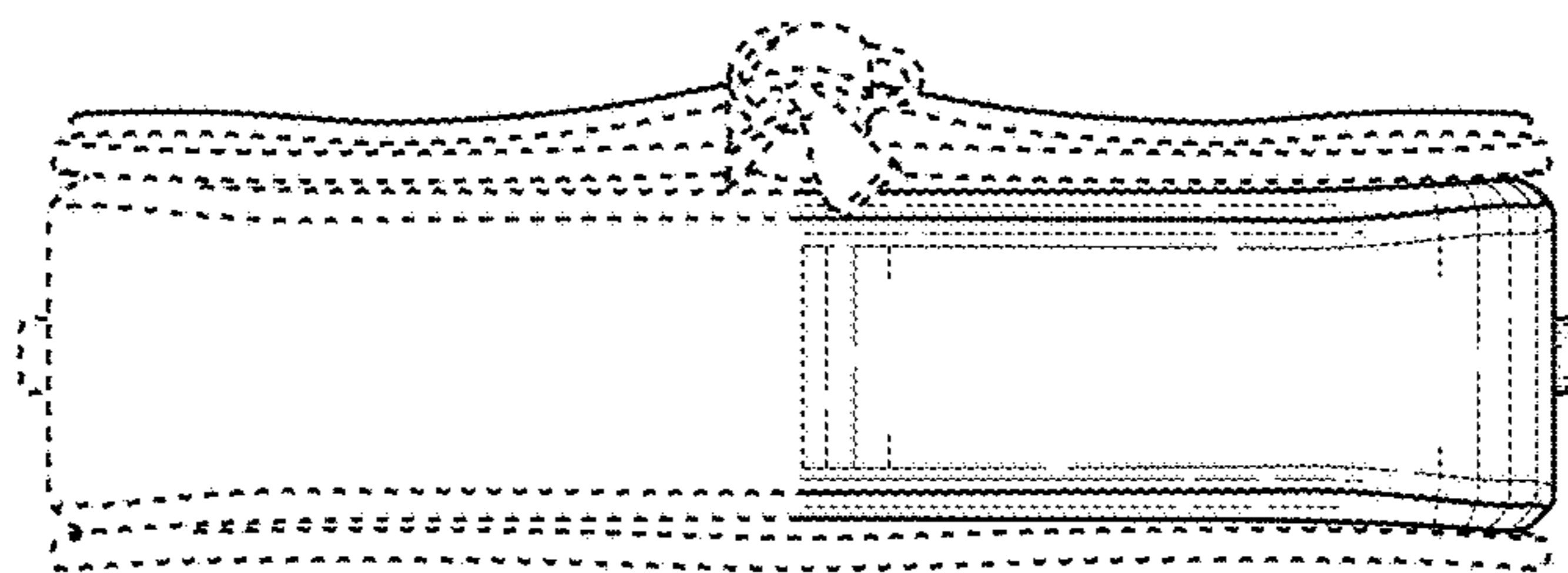


FIG. 7