



US00D834315S

(12) **United States Design Patent**  
**Reinhart**

(10) **Patent No.:** **US D834,315 S**

(45) **Date of Patent:** **\*\* Nov. 27, 2018**

(54) **STACKABLE TOTE**

(71) Applicant: **Creative Plastic Concepts, LLC**,  
Sycamore, OH (US)

(72) Inventor: **Nickolas Reinhart**, Findlay, OH (US)

(73) Assignee: **Creative Plastic Concepts, LLC**,  
Sycamore, OH (US)

(\*\*) Term: **15 Years**

(21) Appl. No.: **29/619,118**

(22) Filed: **Sep. 27, 2017**

(51) **LOC (11) Cl.** ..... **03-01**

(52) **U.S. Cl.**  
USPC ..... **D3/312**

(58) **Field of Classification Search**  
USPC ..... D6/672, 675; D7/601-602; D3/272,  
D3/304, 307, 308, 309, 312, 314, 315,  
D3/905  
CPC ..... B65D 11/00; B65D 1/22; B65D 11/20;  
B65D 1/00; B65D 1/243  
See application file for complete search history.

(56) **References Cited**

**U.S. PATENT DOCUMENTS**

D421,183 S \* 2/2000 Koskinen ..... D3/304  
D448,567 S \* 10/2001 Buss ..... D3/304  
D718,533 S \* 12/2014 Leadholm ..... D3/307  
D743,171 S 11/2015 Reinhart

D762,387 S \* 8/2016 Green ..... D3/304  
D778,611 S \* 2/2017 Shpitzer ..... D3/304  
D794,958 S 8/2017 Reinhart  
D797,453 S \* 9/2017 Shamp ..... D3/314  
D802,926 S \* 11/2017 Turner ..... D3/304  
D812,377 S \* 3/2018 Shpitzer ..... D3/304

\* cited by examiner

*Primary Examiner* — Kelley Donnelly

(74) *Attorney, Agent, or Firm* — Jacob M. Ward; Ward  
Law Office LLC

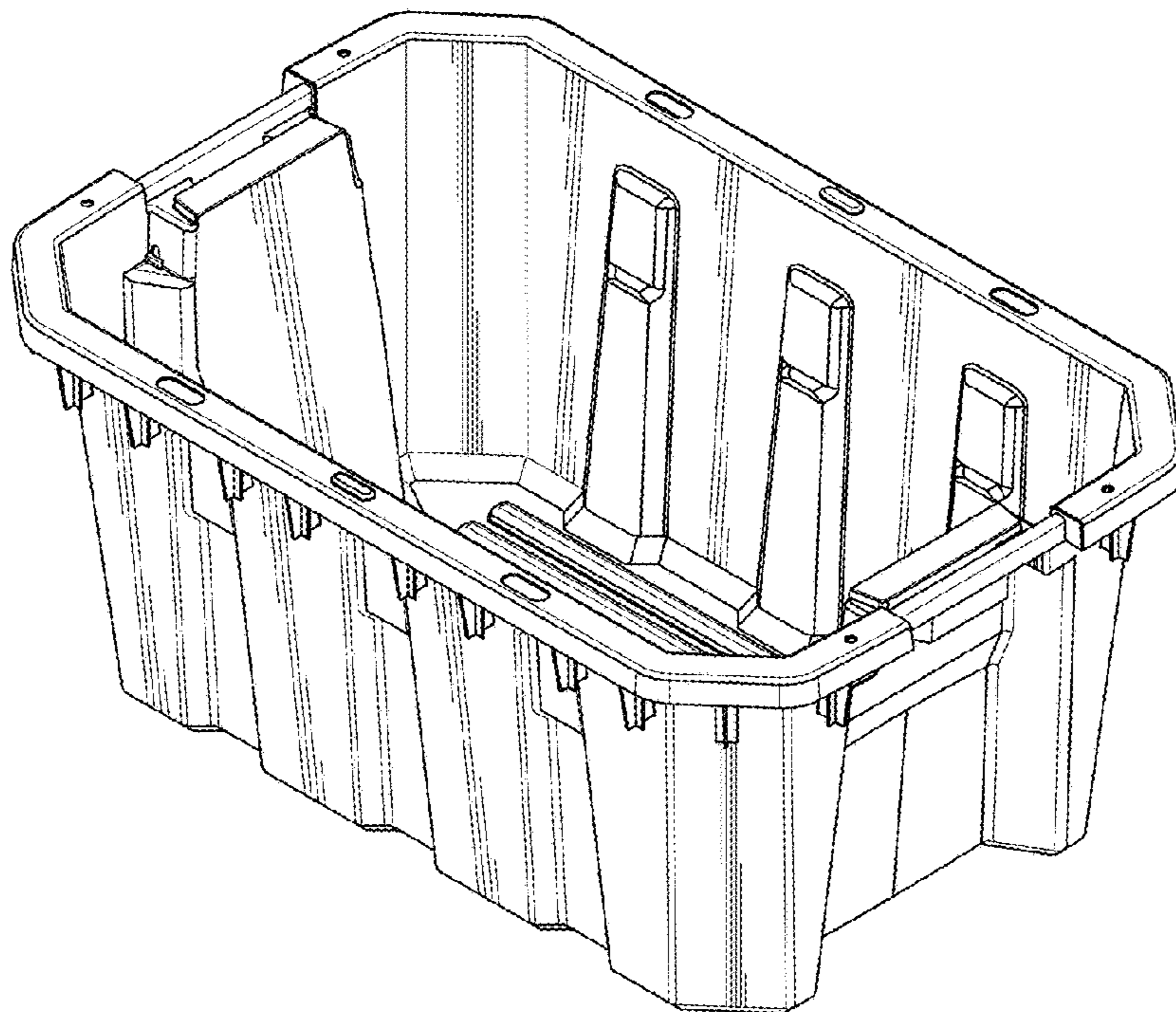
(57) **CLAIM**

The ornamental design for a stackable tote, as shown and described.

**DESCRIPTION**

FIG. 1 is a top perspective view of a stackable tote;  
FIG. 2 is a bottom perspective view thereof;  
FIG. 3 is a top plan view thereof;  
FIG. 4 is a bottom plan view thereof;  
FIG. 5 is a right side elevational view thereof; and,  
FIG. 6 is a front elevational view thereof.  
A left side elevational view is not shown because it is identical to the right side elevational view shown in FIG. 5. A rear elevational view is not shown because it is identical to the front elevational view shown in FIG. 6.  
The ornamental design which is claimed is shown in solid lines in the drawings.

**1 Claim, 3 Drawing Sheets**



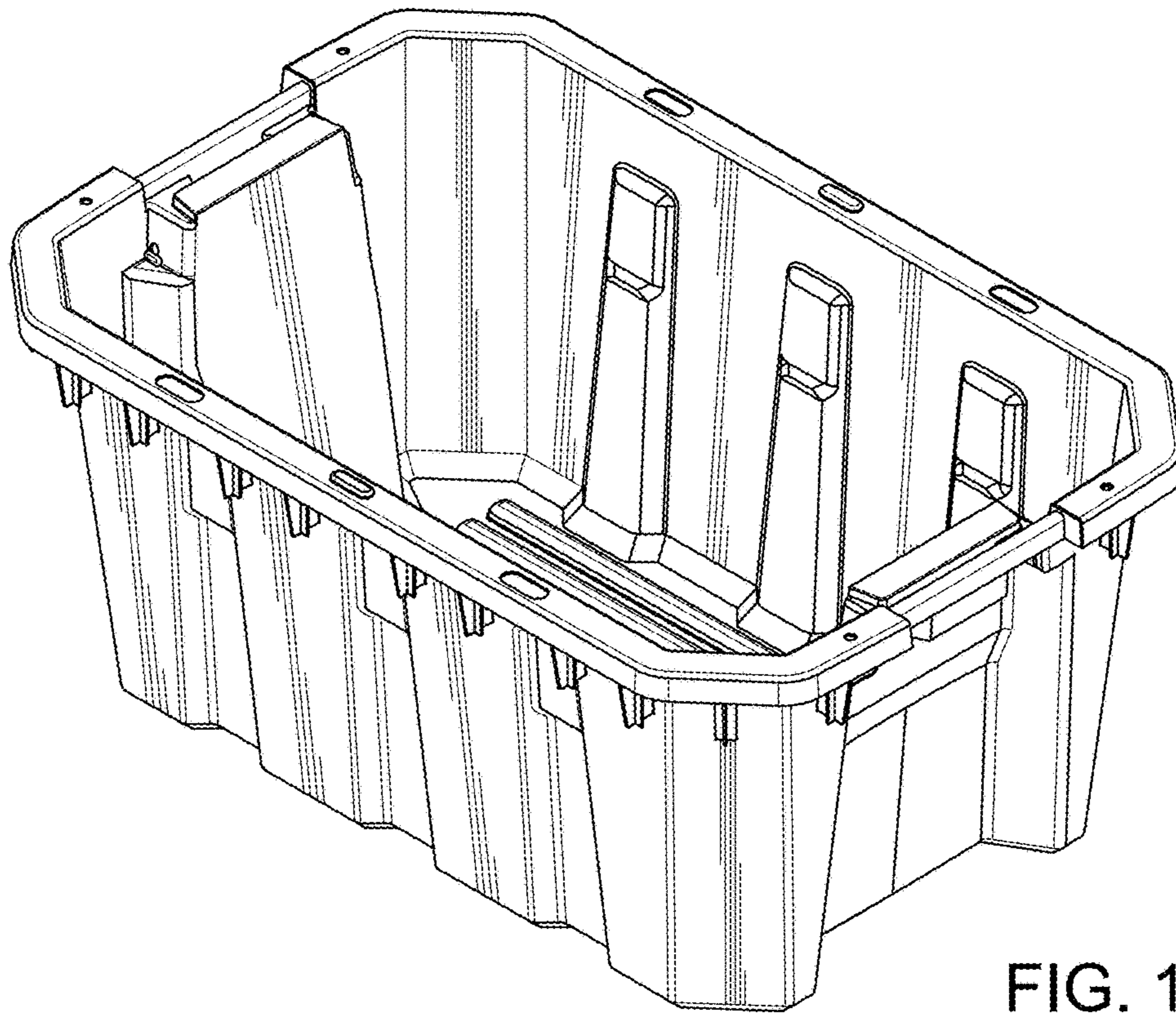


FIG. 1

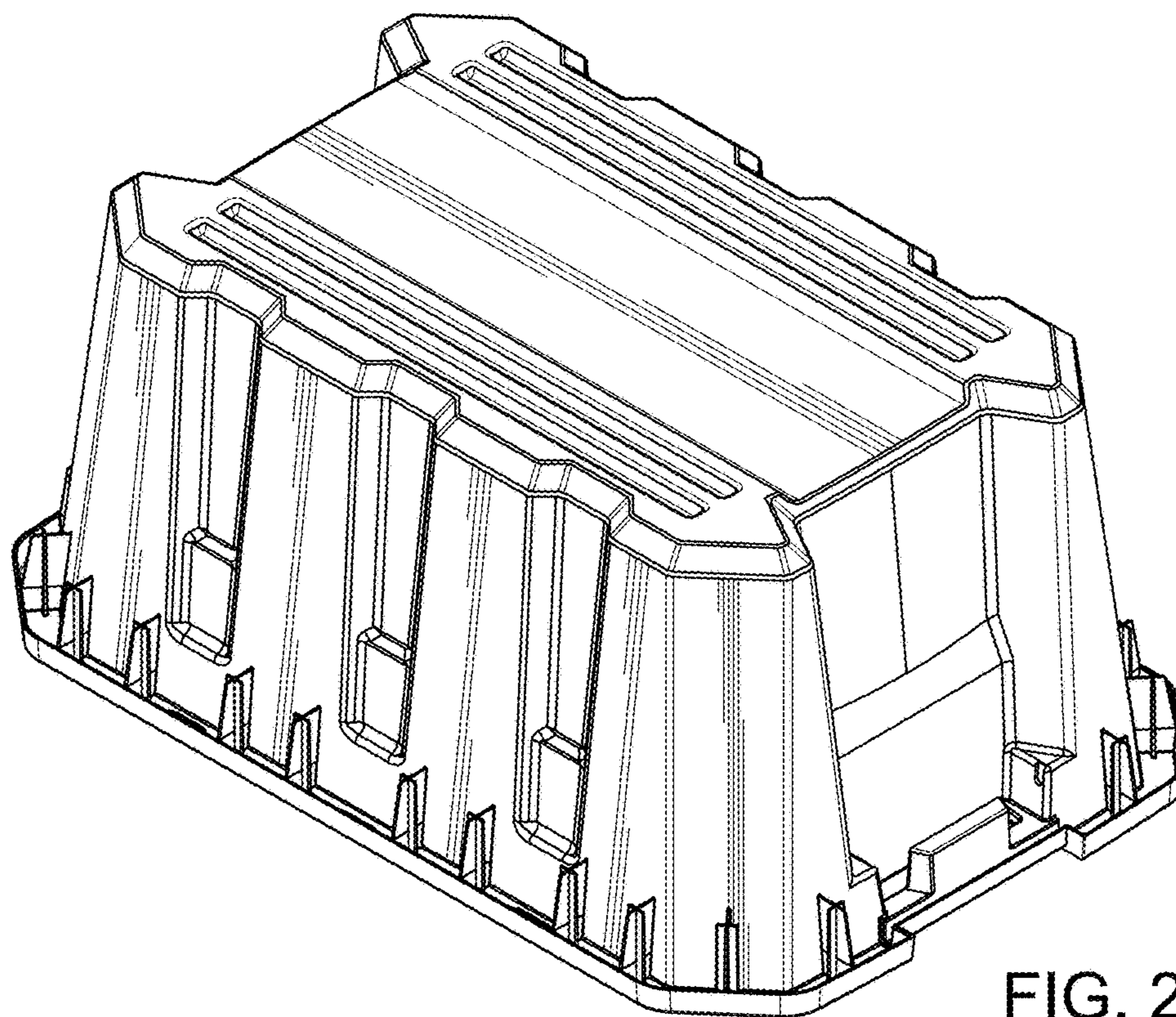


FIG. 2

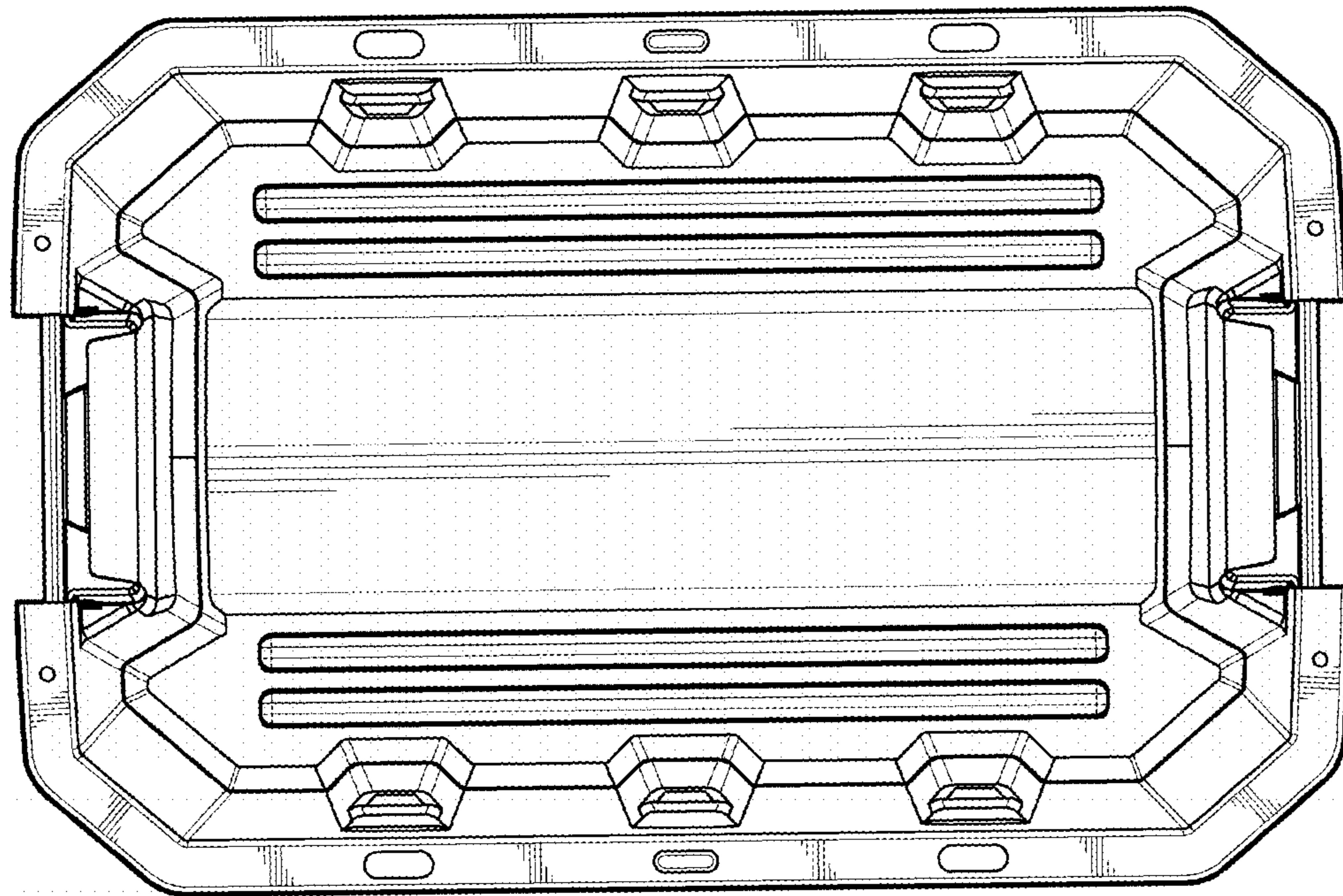


FIG. 3

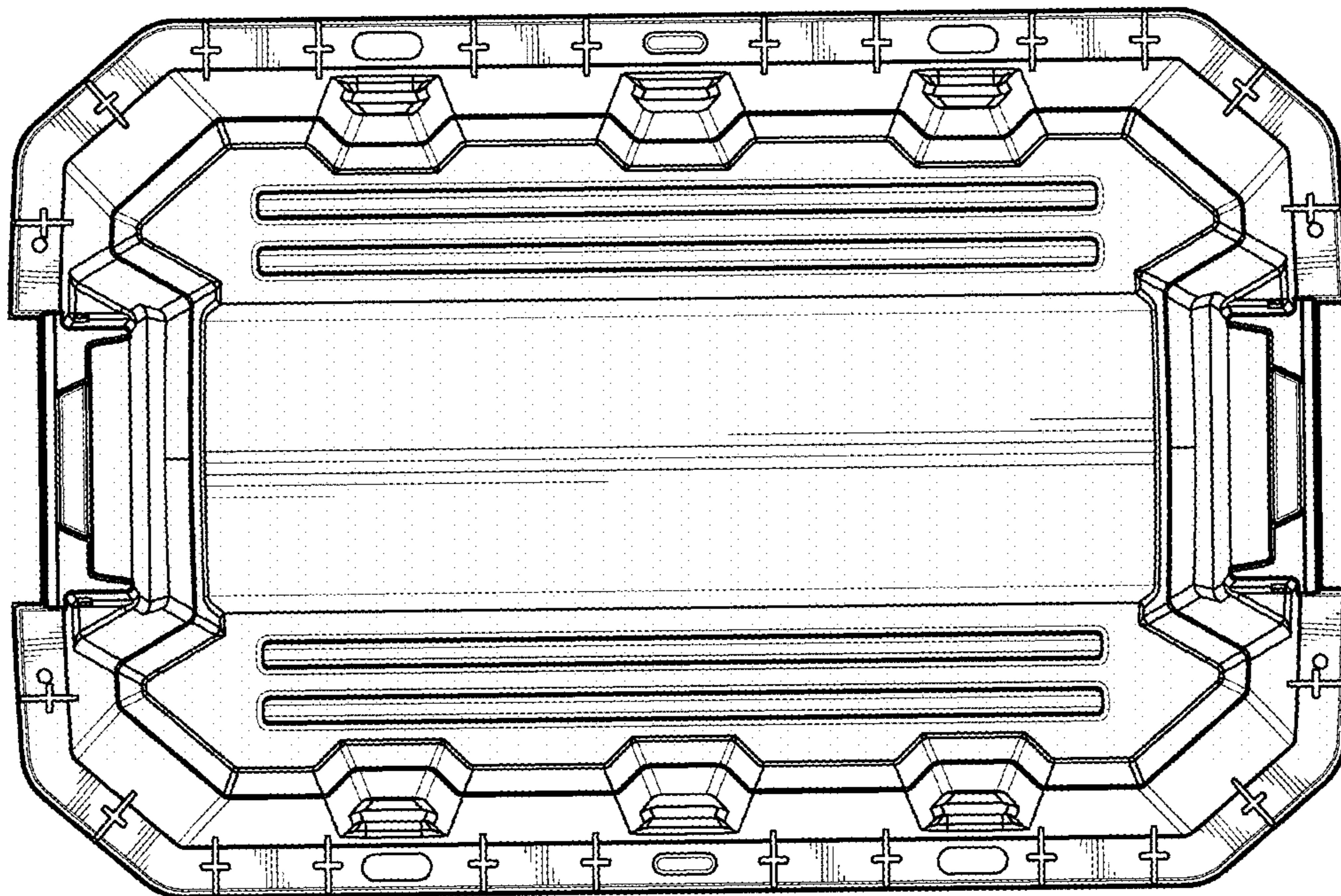


FIG. 4

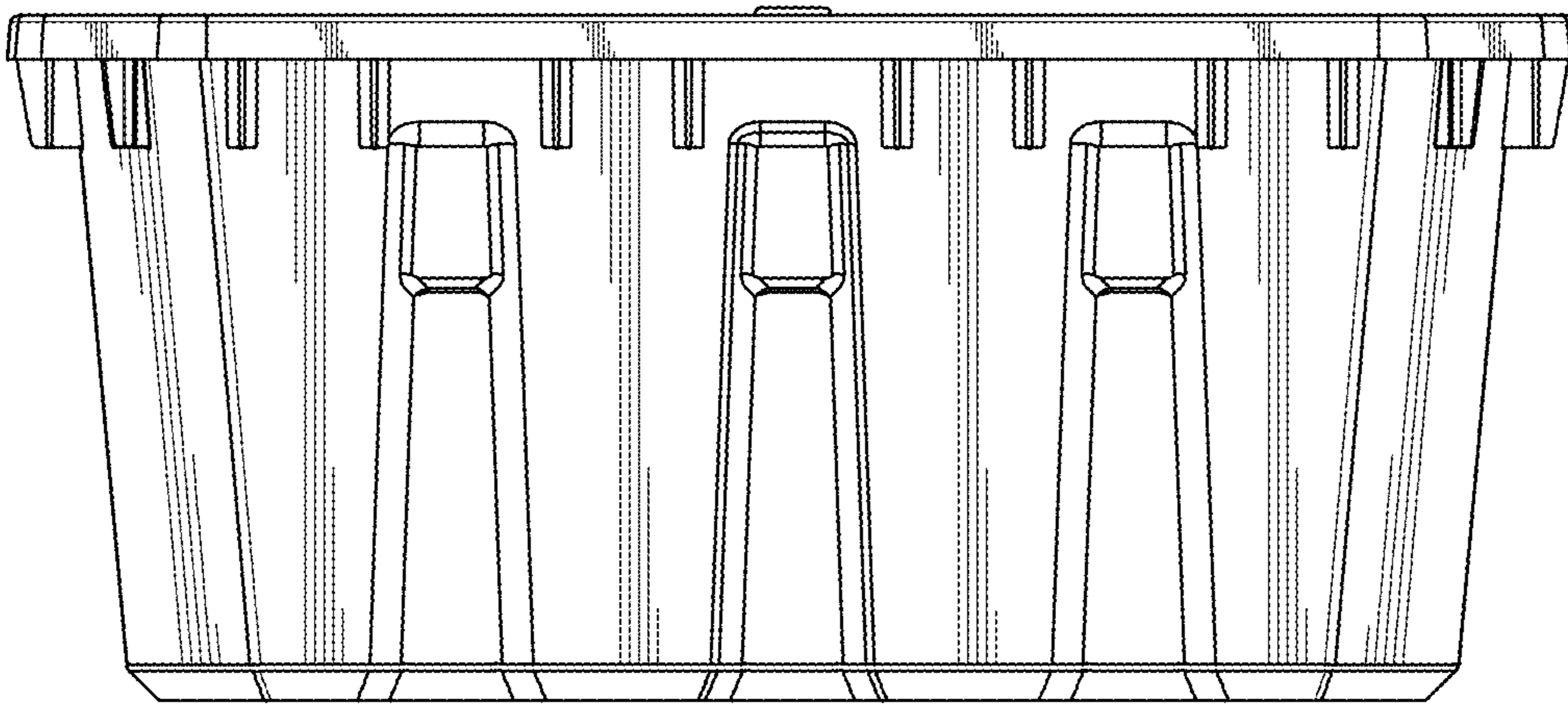


FIG. 5

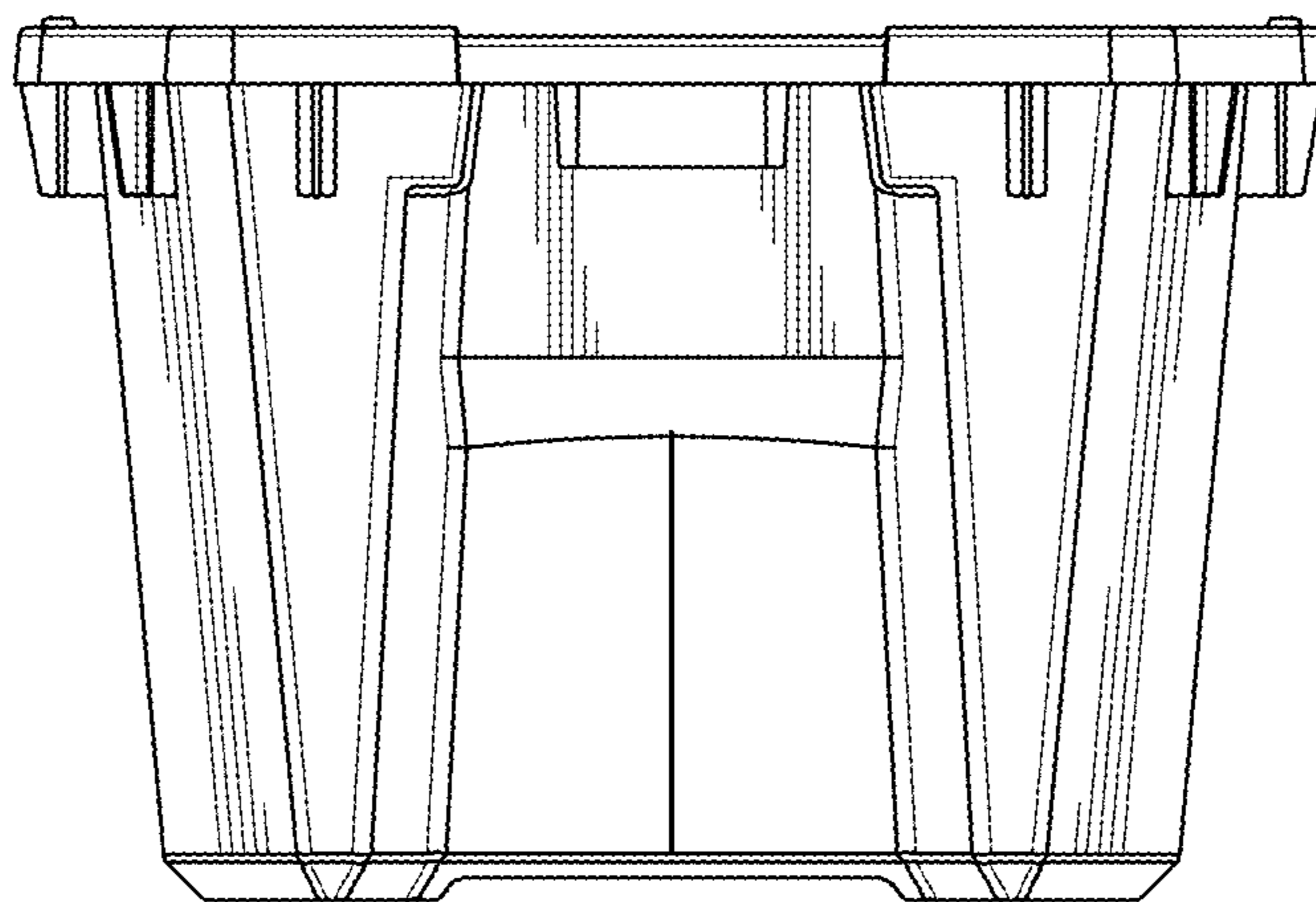


FIG. 6