

US00D834314S

(12) **United States Design Patent** (10) **Patent No.:** **US D834,314 S**
Nicoline et al. (45) **Date of Patent:** **** Nov. 27, 2018**

(54) **TRAY**
(71) Applicant: **Paris Presents Incorporated**, Gurnee, IL (US)
(72) Inventors: **Alyssa C. Nicoline**, McHenry, IL (US); **Alessandra Corona**, Chicago, IL (US)
(73) Assignee: **PARIS PRESENTS INCORPORATED**, Gurnee, IL (US)
(**) Term: **15 Years**
(21) Appl. No.: **29/618,271**
(22) Filed: **Sep. 20, 2017**
(51) **LOC (11) Cl.** **03-01**
(52) **U.S. Cl.**
USPC **D3/304**
(58) **Field of Classification Search**
USPC D3/304, 307-314, 315; D9/432, 759; D6/512; D7/500, 550.1, 554.3, 601
CPC A45C 2011/007; B65D 1/34; B65D 71/0003; B65D 2585/00; A45D 2033/001
See application file for complete search history.

(56) **References Cited**

U.S. PATENT DOCUMENTS

D288,396 S * 2/1987 Ritman D7/554.3
D333,944 S * 3/1993 Denzin D7/392.1
D434,265 S * 11/2000 Tatlow D7/323
D484,697 S * 1/2004 McCoy D3/304
D547,064 S * 7/2007 Snell D3/304
D639,000 S * 5/2011 Weber D30/161
D659,399 S * 5/2012 Kraemer D3/304
D666,878 S * 9/2012 Siegel D7/629
D729,403 S * 5/2015 Hage D24/227
D743,641 S * 11/2015 Jones D30/161
D750,892 S * 3/2016 Rego D3/305

D782,133 S * 3/2017 Veness D30/161
D783,284 S * 4/2017 Hecht D3/304
D818,195 S * 5/2018 Burger D27/186
D819,409 S * 6/2018 Newton D7/554.3

* cited by examiner

Primary Examiner — Kelley Donnelly

(74) *Attorney, Agent, or Firm* — Quarles & Brady LLP

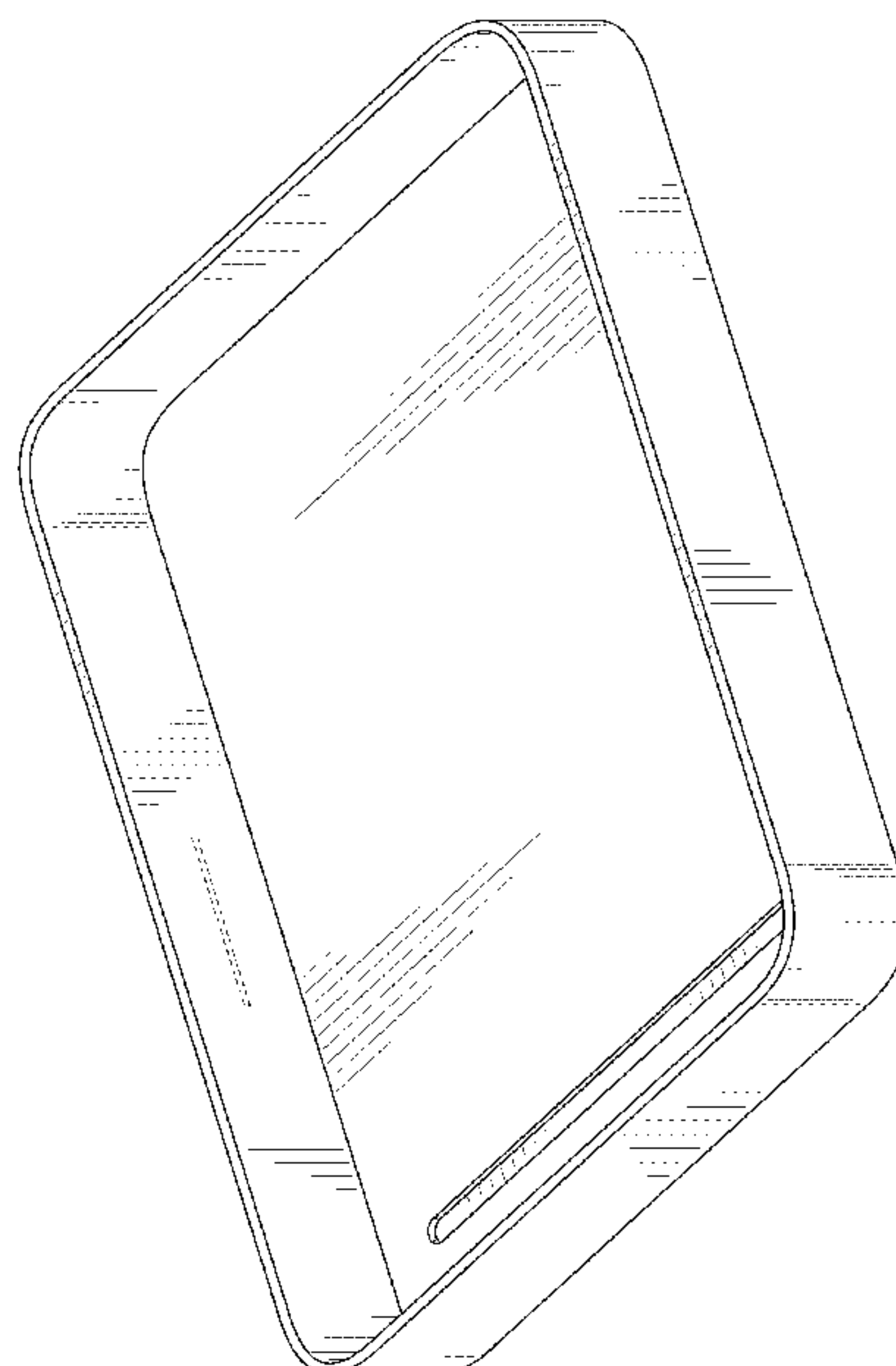
(57) **CLAIM**

The ornamental design for a tray, as shown and described.

DESCRIPTION

FIG. 1 is a perspective view of a front, top, and right side of an ornamental design for a tray;
FIG. 2 is a top plan view of the tray of FIG. 1;
FIG. 3 is a bottom plan view of the tray of FIG. 1;
FIG. 4 is a rear elevational view of the tray of FIG. 1;
FIG. 5 is a front elevational view of the tray of FIG. 1;
FIG. 6 is a left side elevational view of the tray of FIG. 1;
FIG. 7 is a right side elevational view of the tray of FIG. 1;
FIG. 8 is a perspective view of a bottom, rear, and right side of the tray of FIG. 1;
FIG. 9 is a perspective view of a front, top, and right side of an ornamental design for a tray;
FIG. 10 is a top plan view of the tray of FIG. 9;
FIG. 11 is a bottom plan view of the tray of FIG. 9;
FIG. 12 is a rear elevational view of the tray of FIG. 9;
FIG. 13 is a front elevational view of the tray of FIG. 9;
FIG. 14 is a left side elevational view of the tray of FIG. 9;
FIG. 15 is a right side elevational view of the tray of FIG. 9; and,
FIG. 16 is a perspective view of a bottom, rear, and right side of the tray of FIG. 9.
The dash-dash-dash lines are included for the purpose of illustrating portions of the tray that form no part of the claimed design.

1 Claim, 10 Drawing Sheets



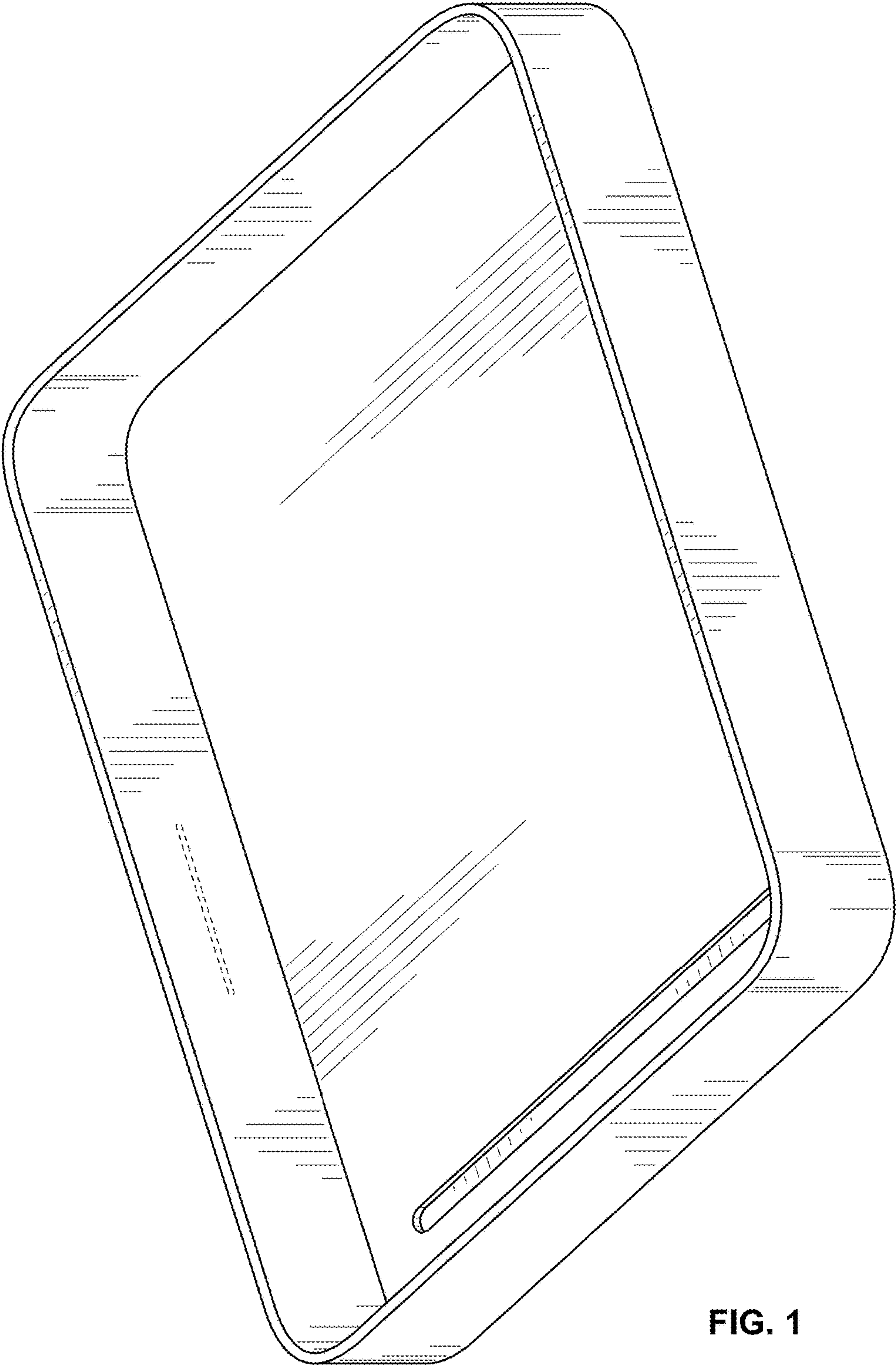


FIG. 1

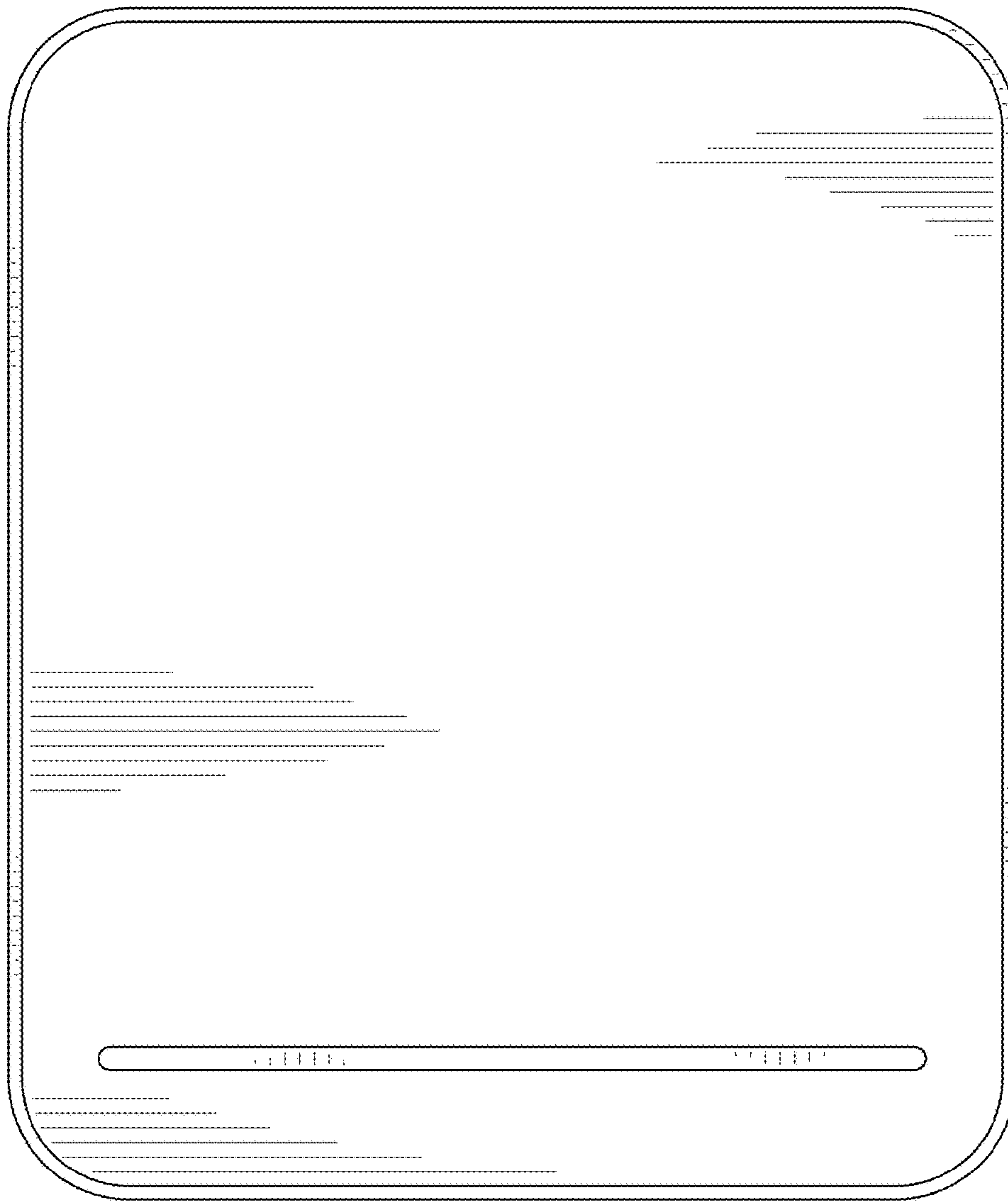


FIG. 2

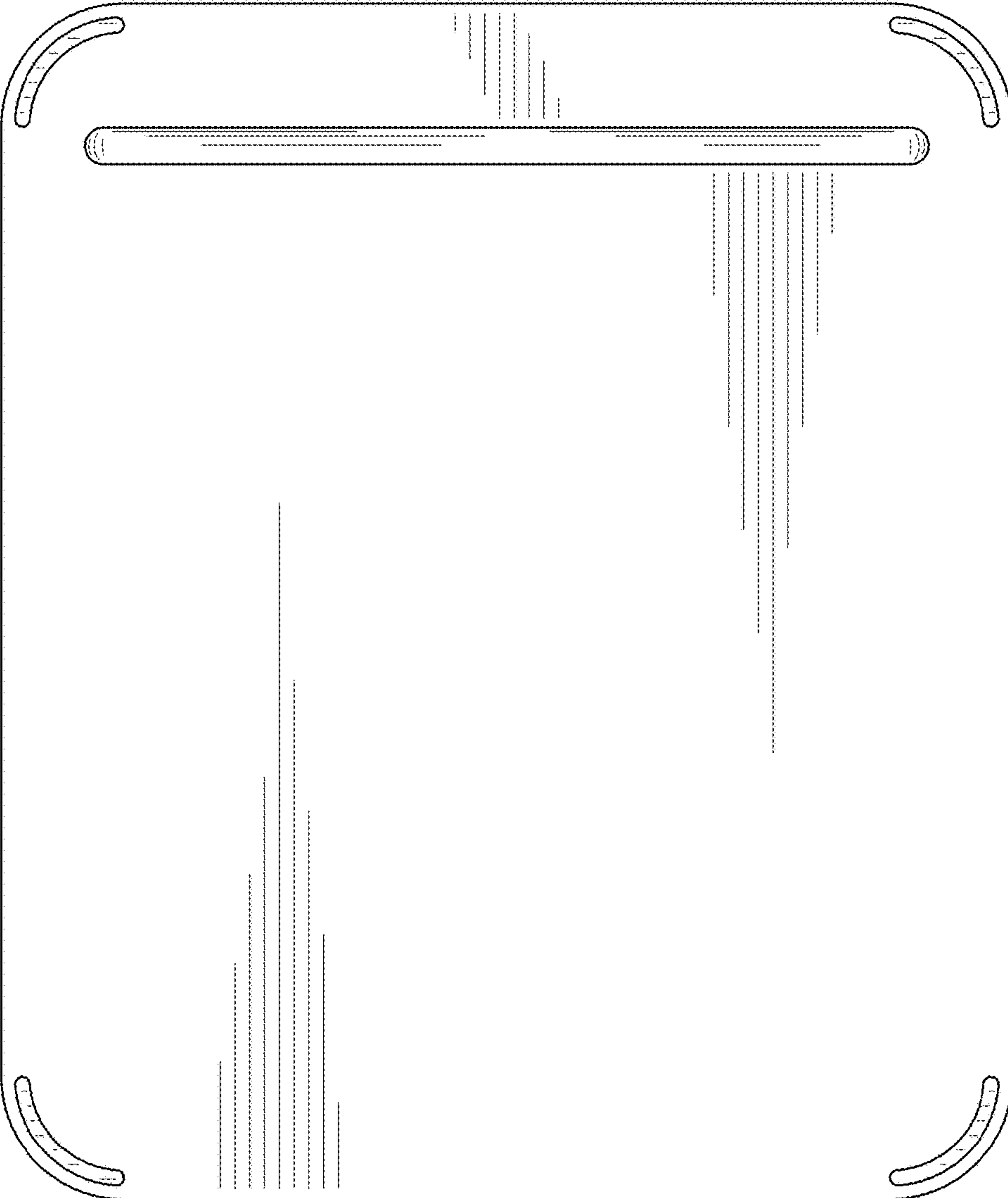


FIG. 3



FIG. 4

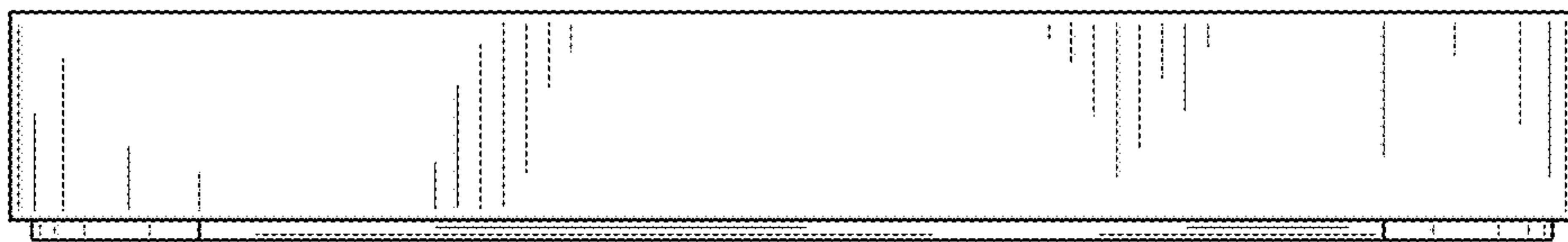


FIG. 5

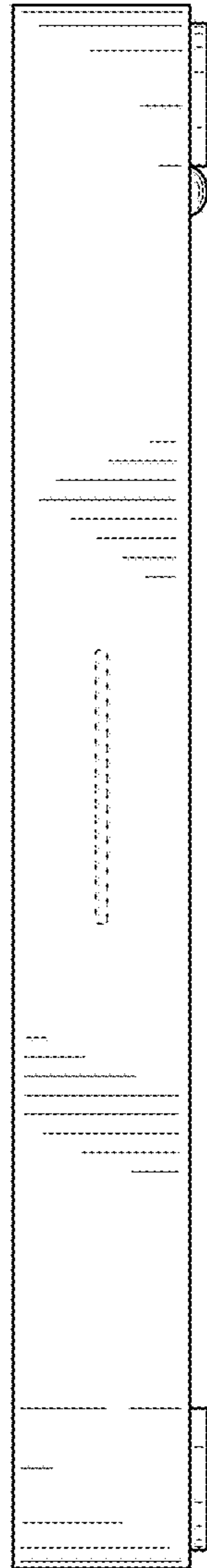


FIG. 6

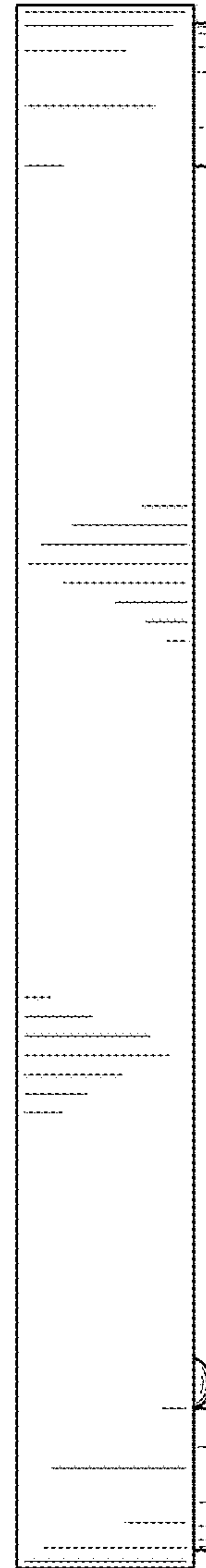
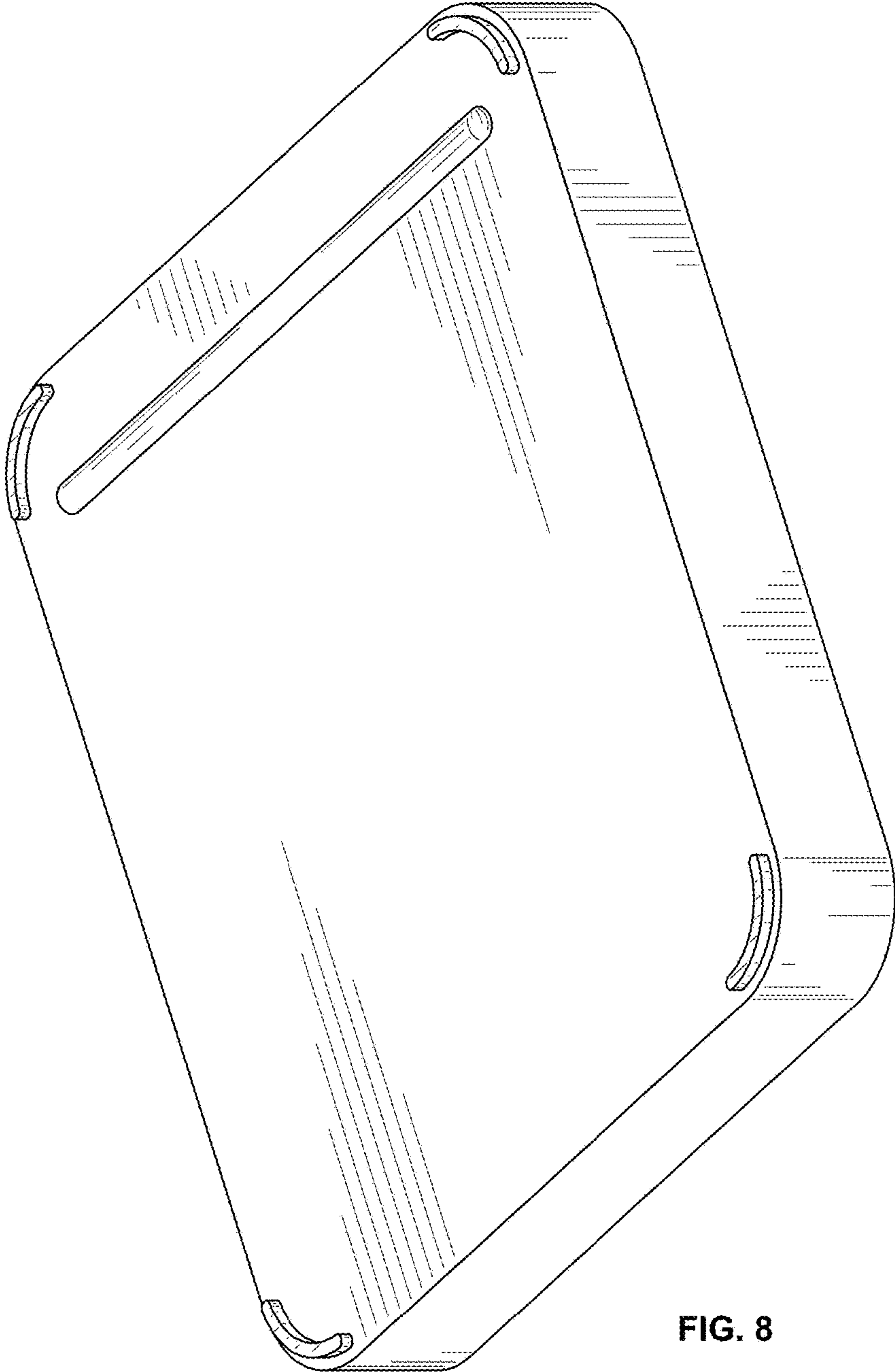


FIG. 7



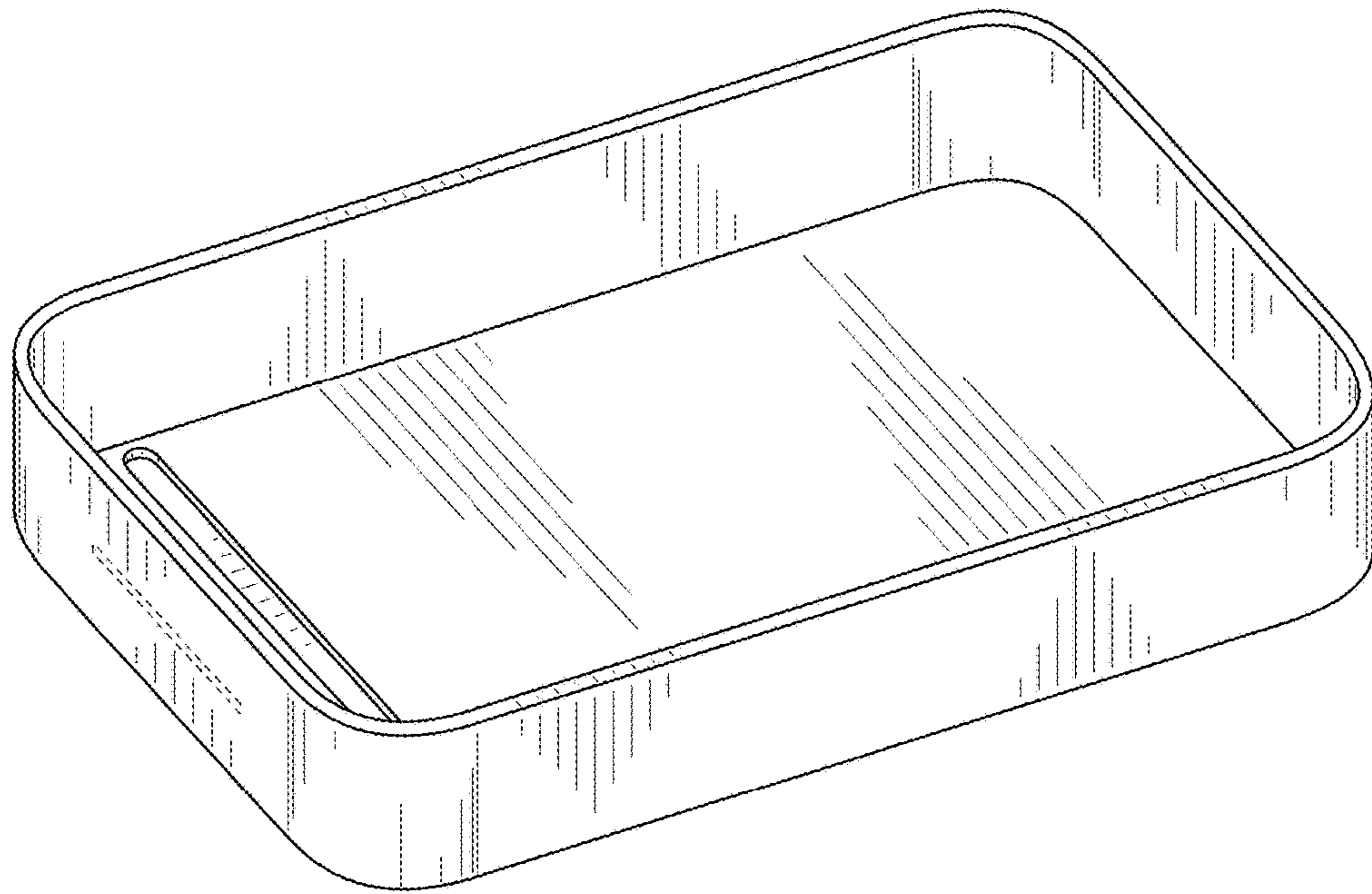


FIG. 9

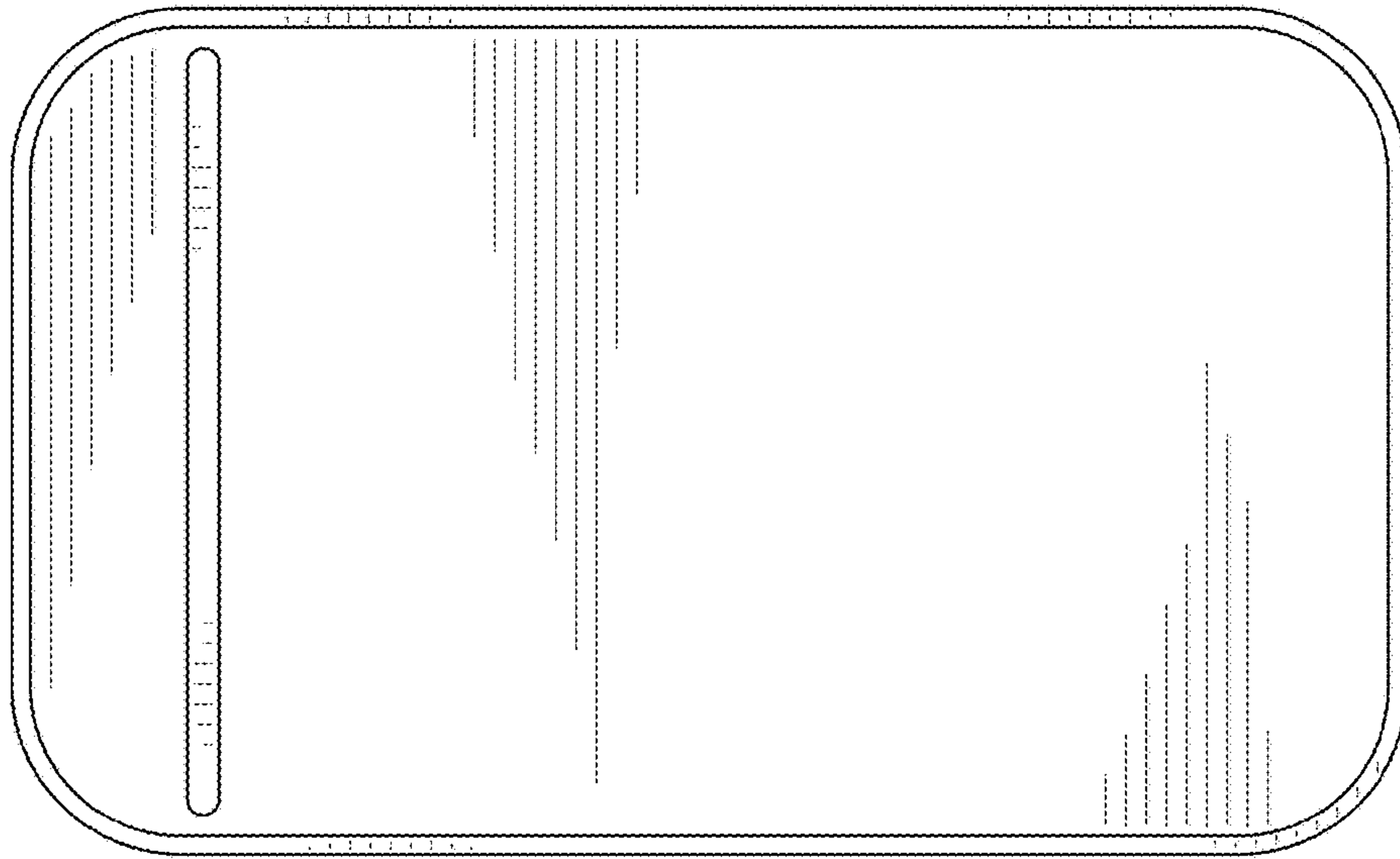


FIG. 10

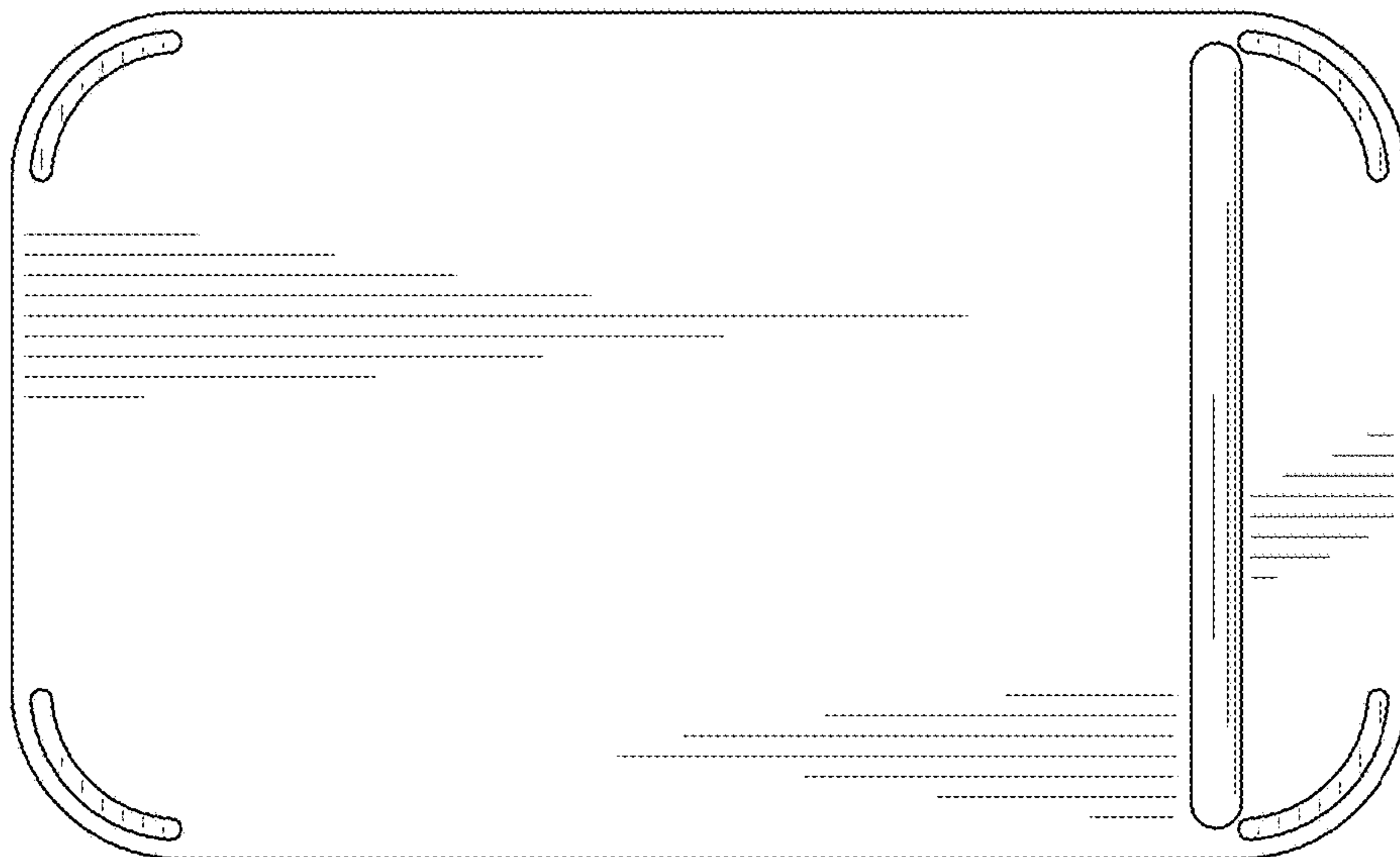


FIG. 11

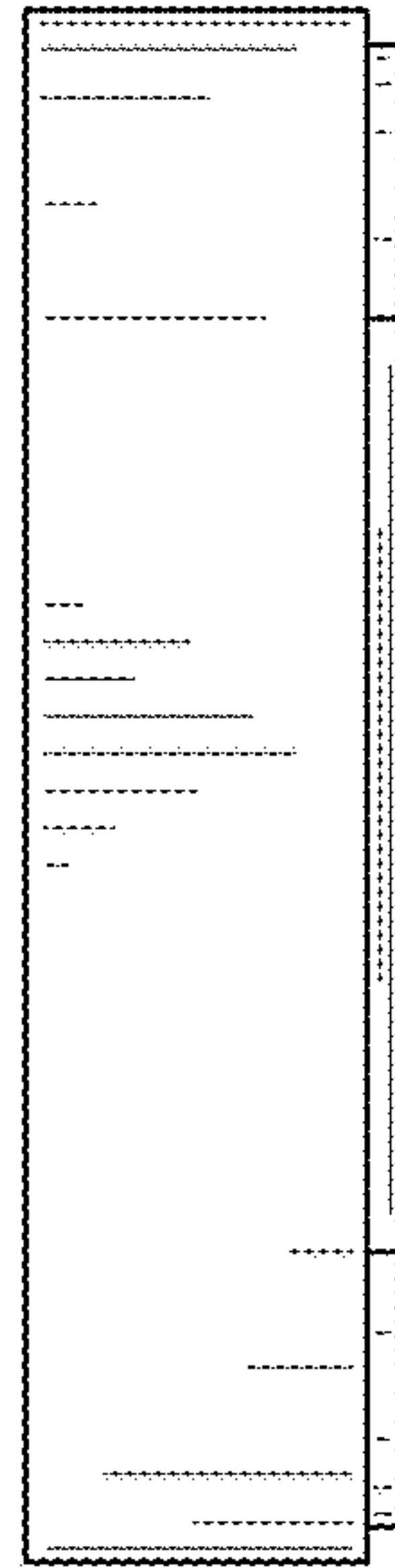


FIG. 12

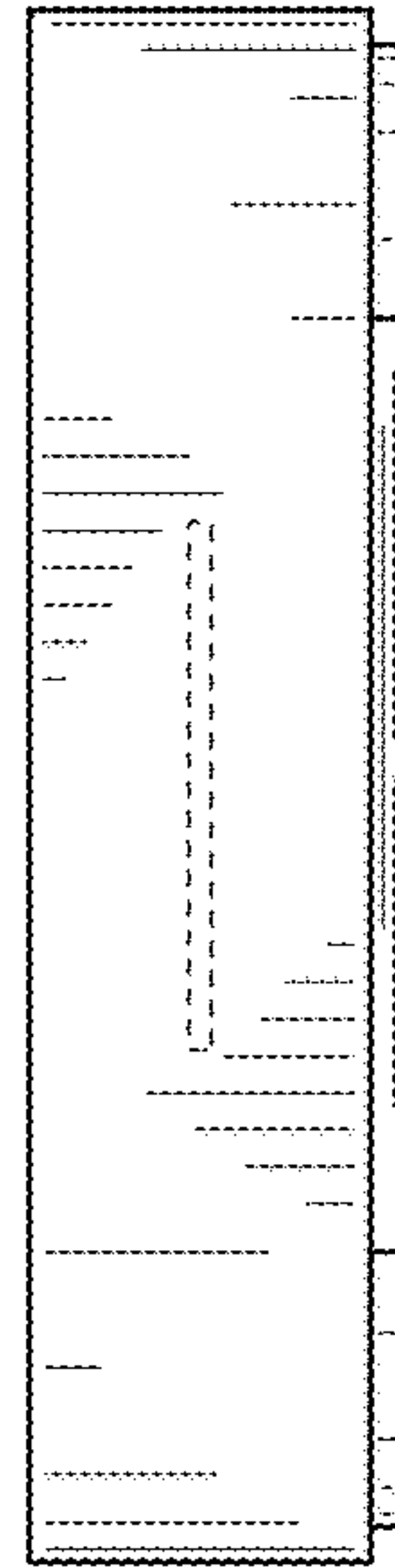


FIG. 13

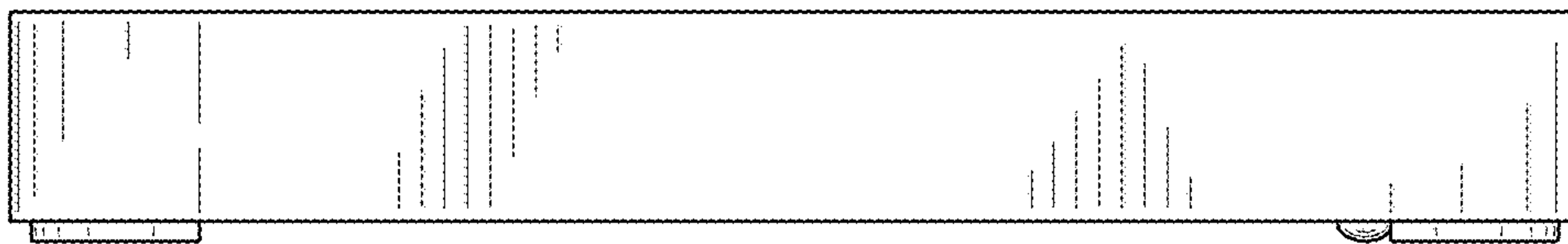


FIG. 14



FIG. 15

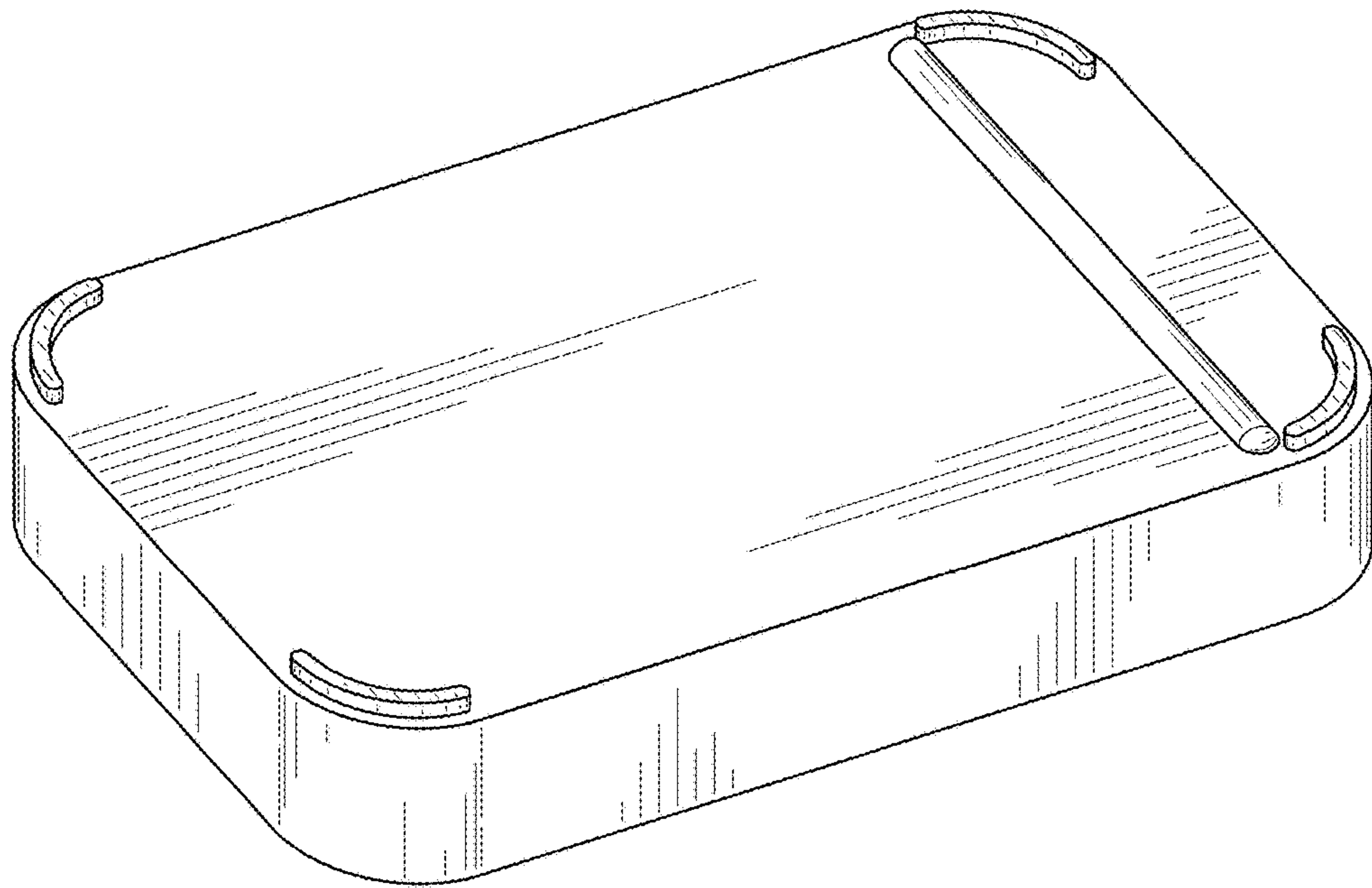


FIG. 16