



US00D834311S

(12) **United States Design Patent**
Tomasetta

(10) **Patent No.:** **US D834,311 S**

(45) **Date of Patent:** **** Nov. 27, 2018**

(54) **HANDBAG**

- (71) Applicant: **Chloe S.A.S.**, Paris (FR)
- (72) Inventor: **Marco Ettore Tomasetta**, Paris (FR)
- (73) Assignee: **Chloe S.A.S.**, Paris (FR)
- (**) Term: **15 Years**

- (21) Appl. No.: **29/623,325**
- (22) Filed: **Oct. 24, 2017**

Related U.S. Application Data

- (62) Division of application No. 29/596,495, filed on Mar. 8, 2017, now Pat. No. Des. 812,372.

(30) **Foreign Application Priority Data**

Sep. 28, 2016 (EM) 003398528

- (51) **LOC (11) Cl.** **03-01**

- (52) **U.S. Cl.**
USPC **D3/243**

- (58) **Field of Classification Search**
USPC D3/232-233, 240-243, 245-246
CPC A45C 1/024; A45C 3/06
See application file for complete search history.

(56) **References Cited**

U.S. PATENT DOCUMENTS

D648,122 S *	11/2011	Guyon	D3/243
D728,929 S *	5/2015	Dumas	D3/243
D770,175 S *	11/2016	Michele	D3/243
D773,810 S *	12/2016	Jacobs	D3/243
D787,820 S *	5/2017	Nair	D3/243

OTHER PUBLICATIONS

Theory, Whitney bag, published at least earlier than Sep. 2016.

* cited by examiner

Primary Examiner — Holly H Baynham

(74) *Attorney, Agent, or Firm* — Charles T. J. Weigell, Esq.; Fross, Zelnick, Lehrman & Zissu, P.C.

(57) **CLAIM**

The ornamental design for a handbag, as shown and described.

DESCRIPTION

FIG. 1 is a front perspective view of a handbag, showing my new design;

FIG. 2 is a front view thereof;

FIG. 3 is a back view thereof;

FIG. 4 is a left side view thereof;

FIG. 5 is a right side view thereof;

FIG. 6 is a top view thereof;

FIG. 7 is a bottom view thereof;

FIG. 8 is a front perspective view of another handbag, and with the ring element shown in FIGS. 1-7;

FIG. 9 is a front view thereof;

FIG. 10 is a back view thereof;

FIG. 11 is a left side view thereof;

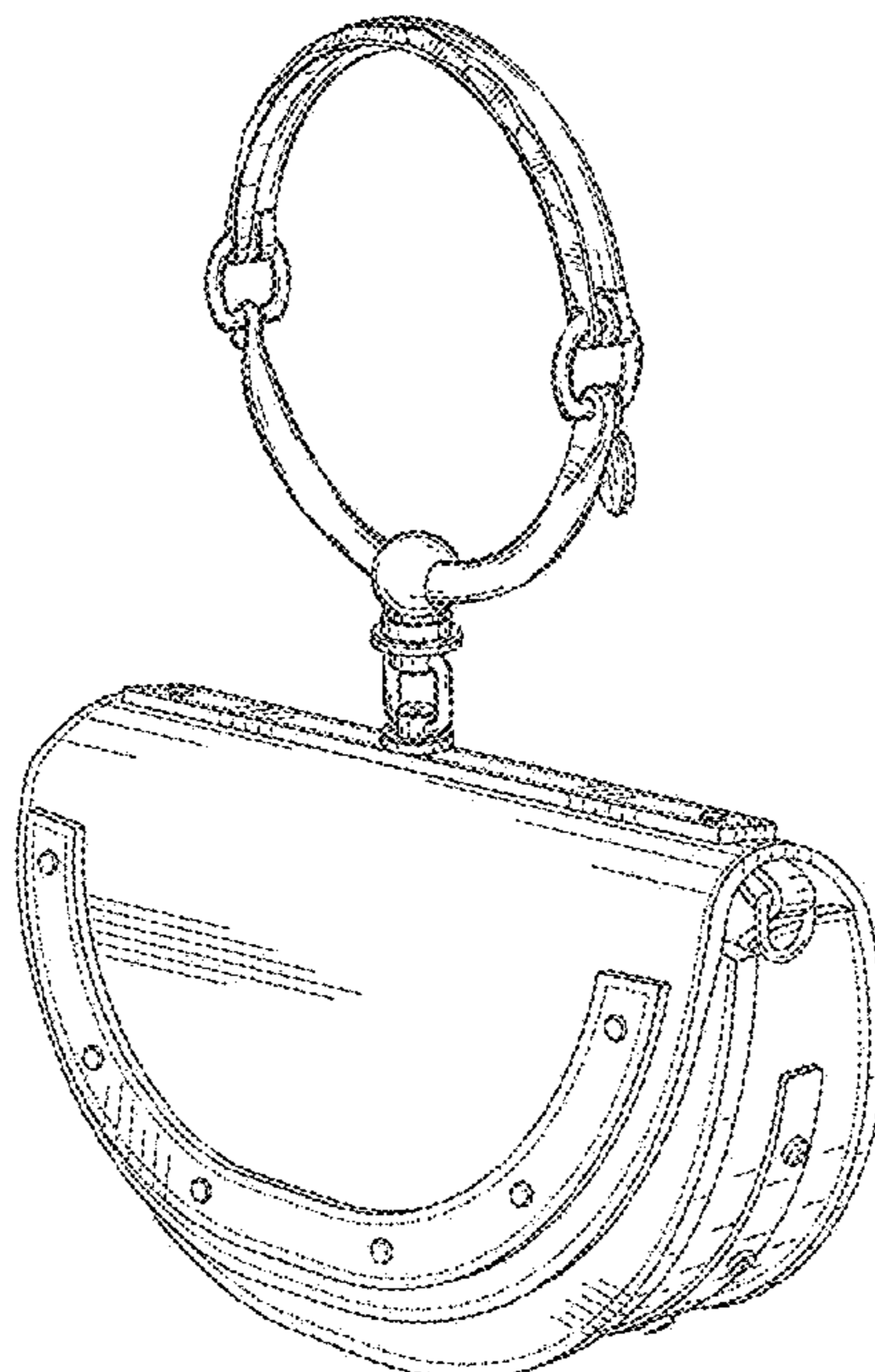
FIG. 12 is a right side view thereof;

FIG. 13 is a top view thereof; and,

FIG. 14 is a bottom view thereof.

The dotted lines are understood to represent stitching and is part of the claimed design.

1 Claim, 10 Drawing Sheets



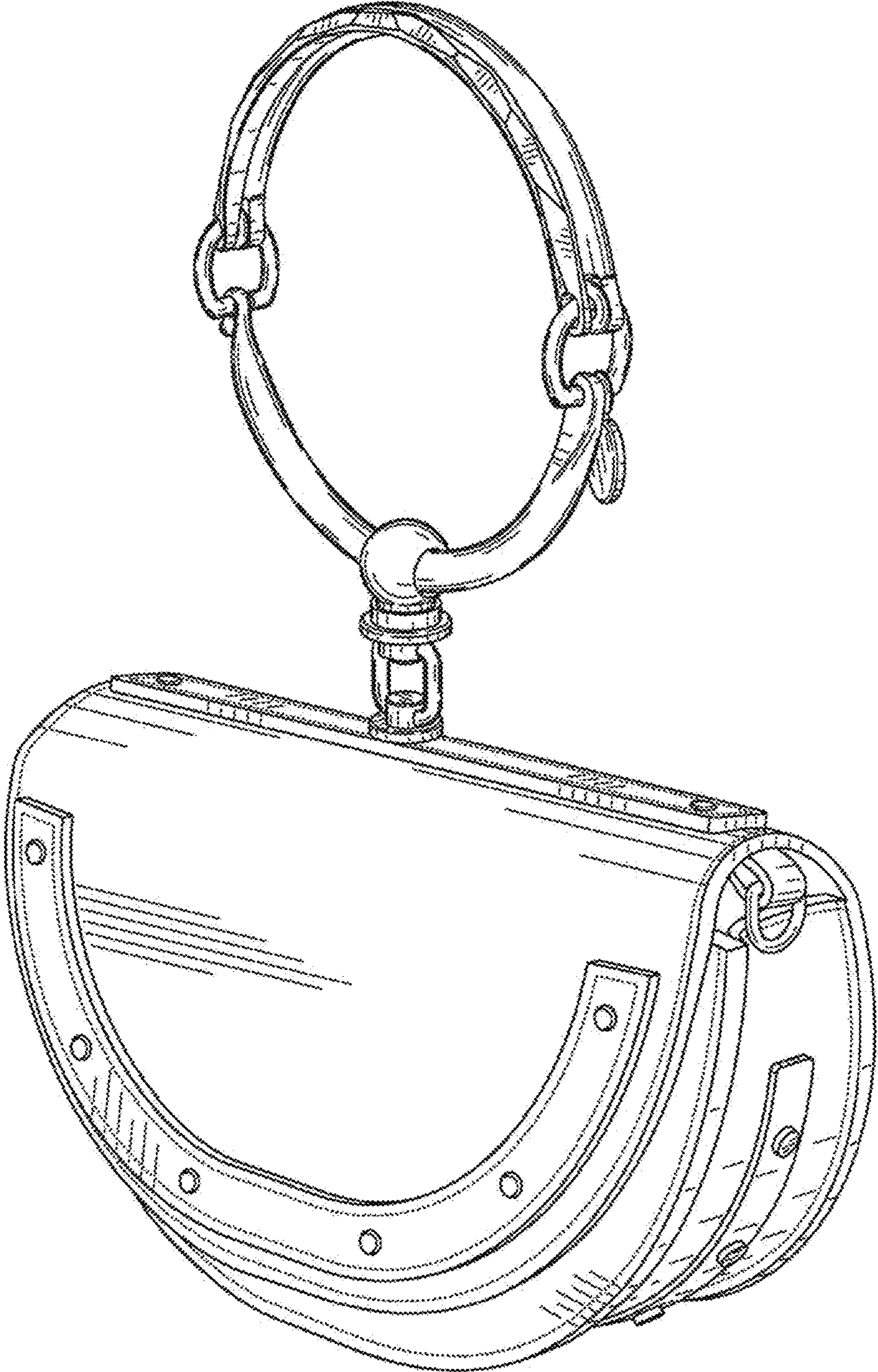


FIG. 1

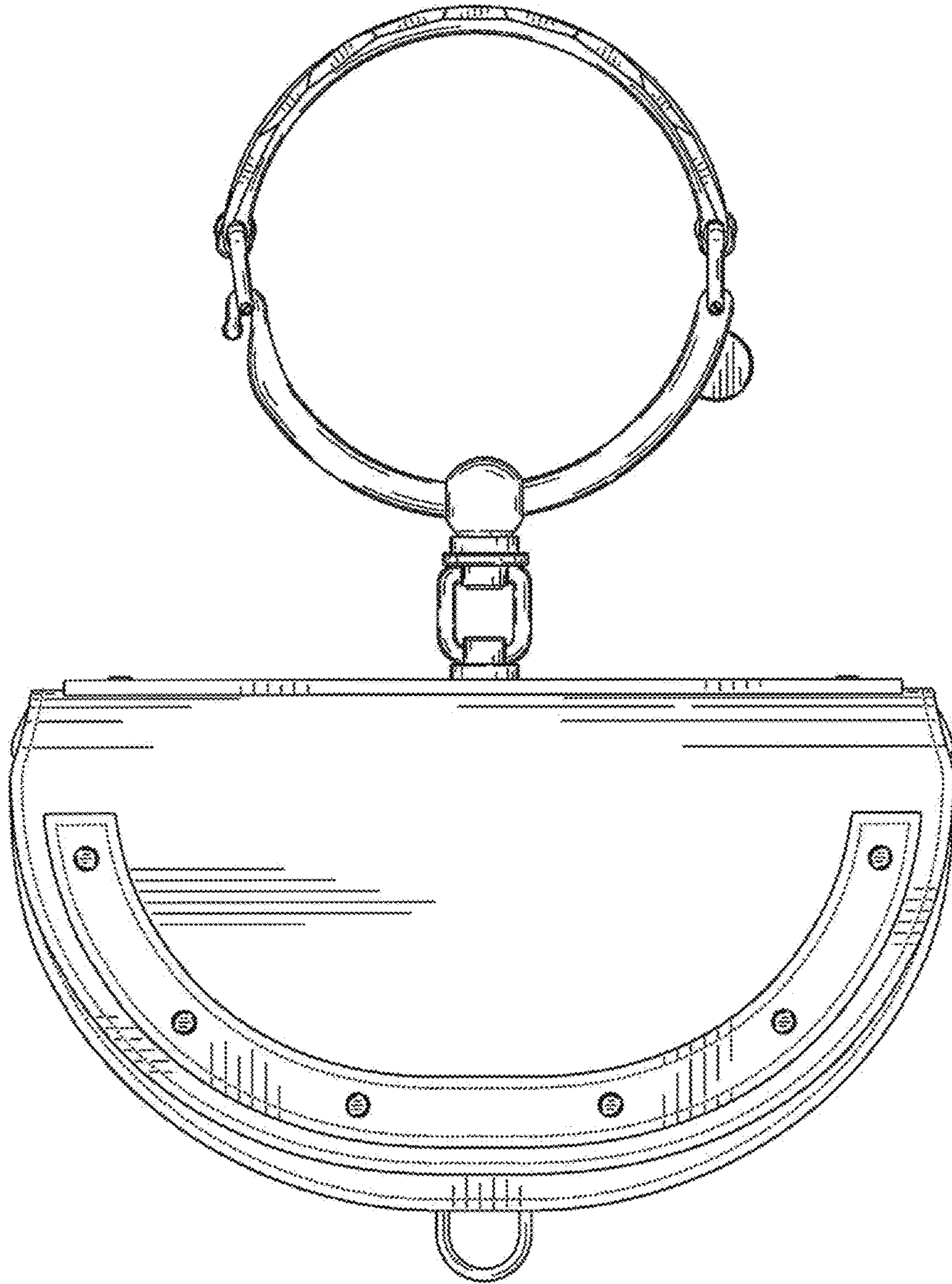


FIG. 2

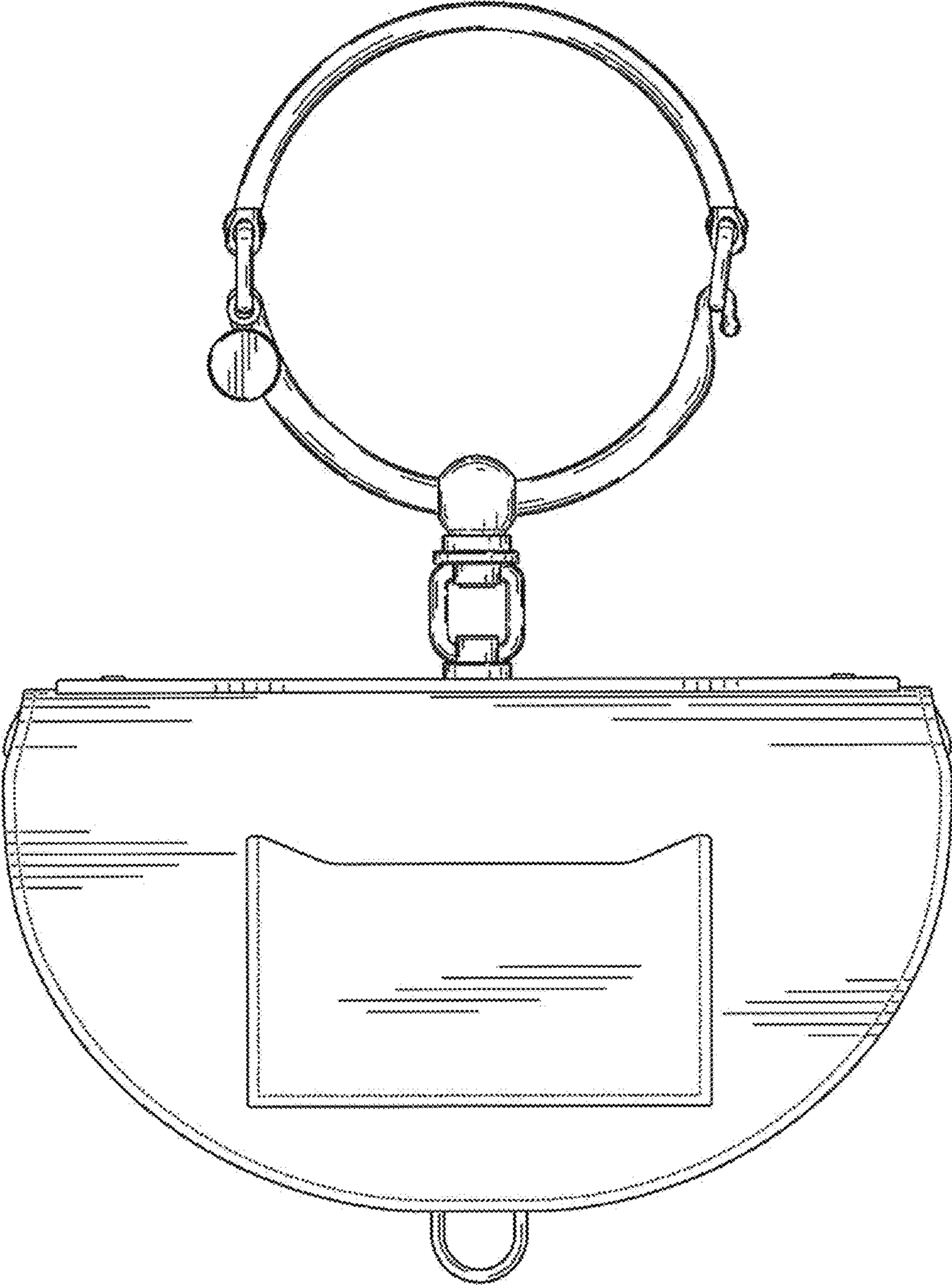


FIG. 3

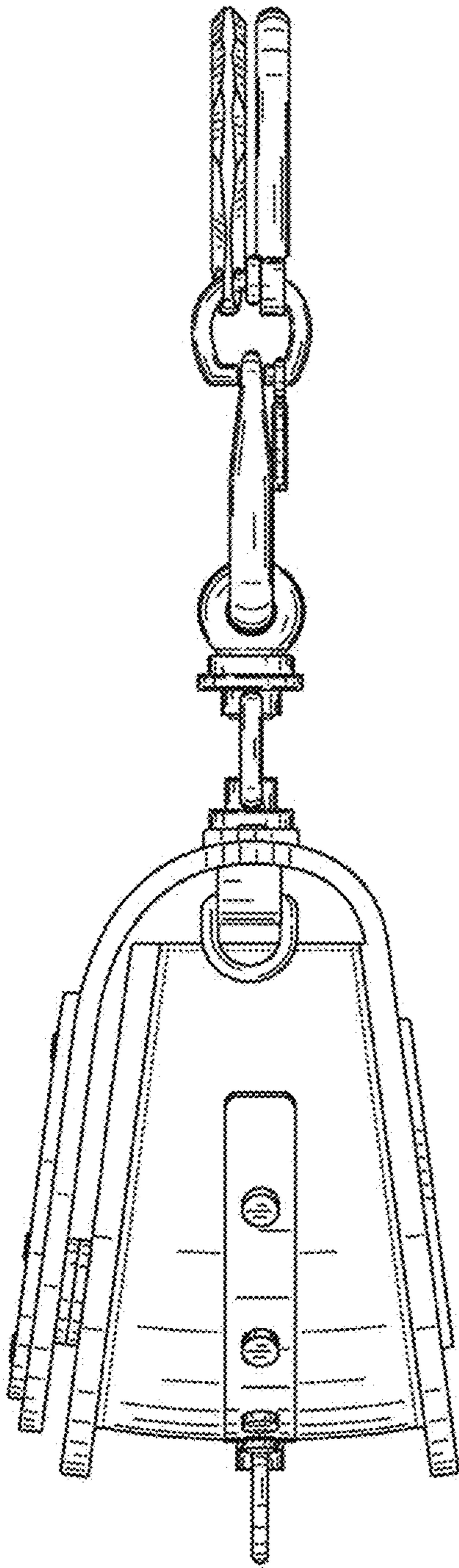


FIG. 4

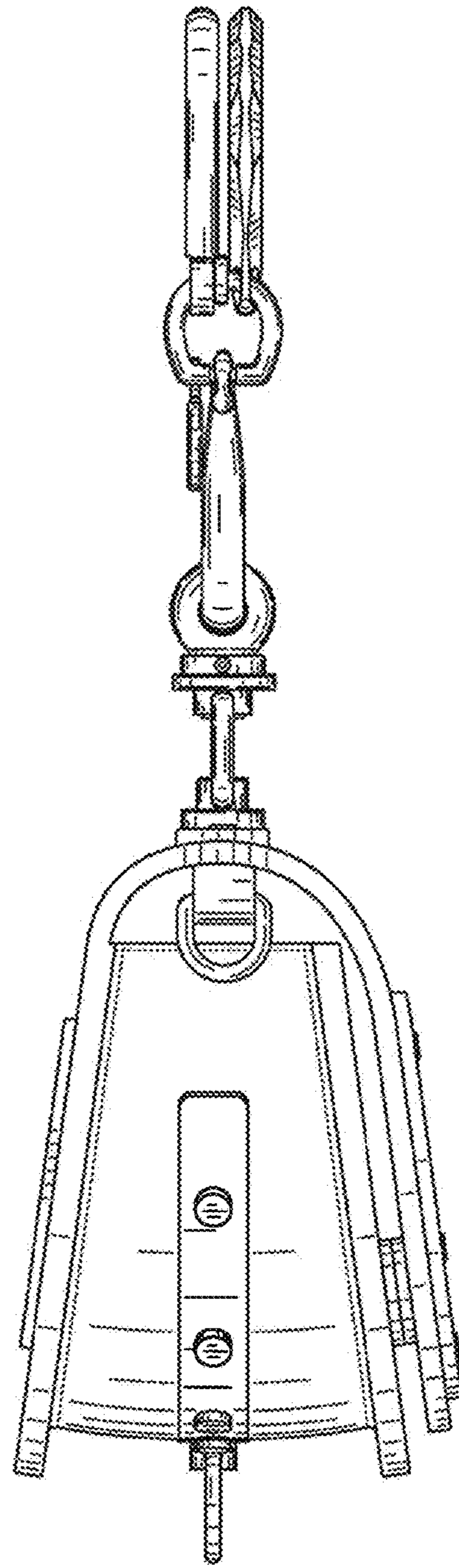


FIG. 5

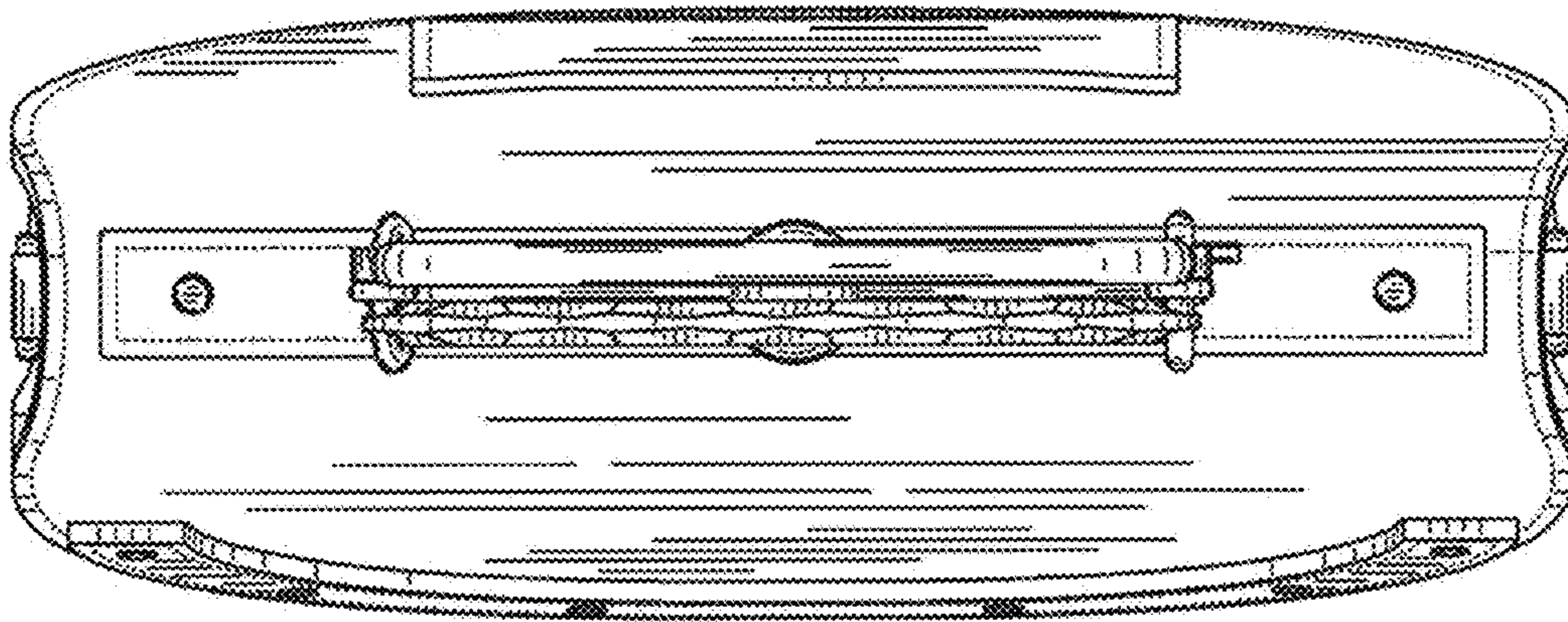


FIG. 6

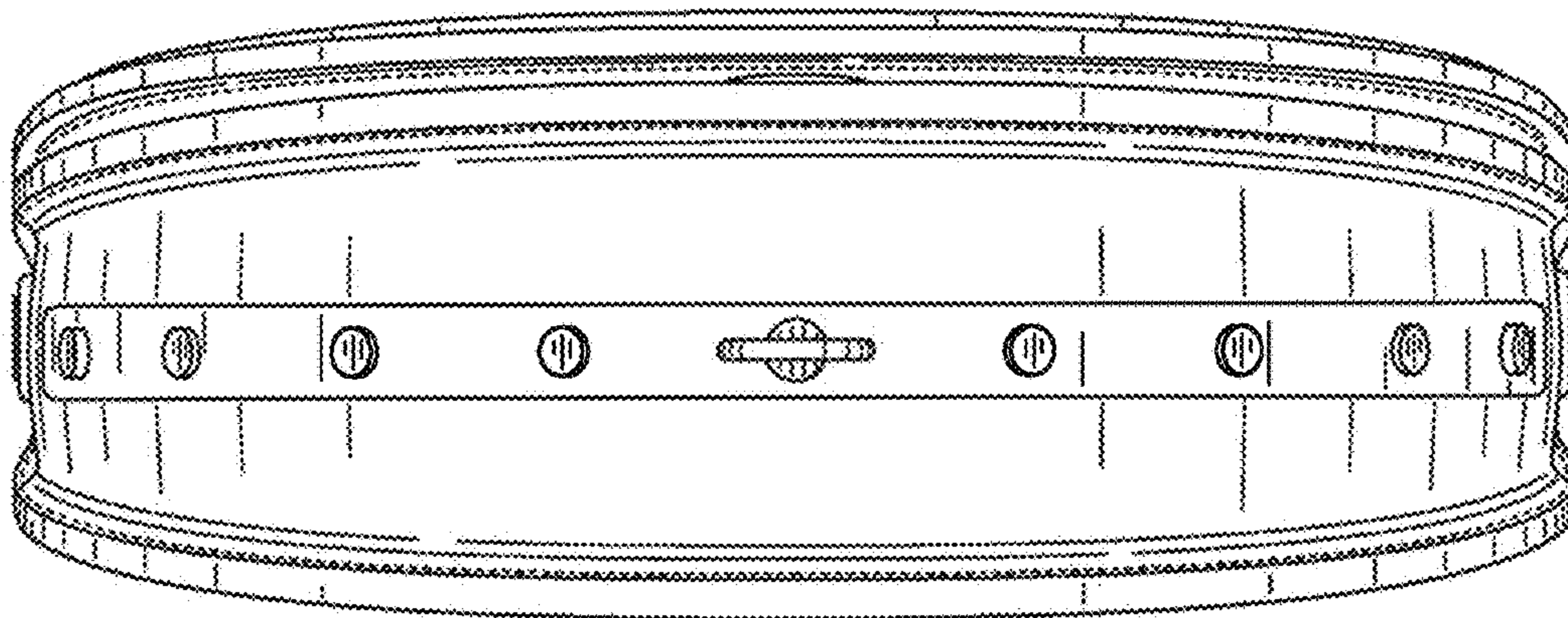


FIG. 7

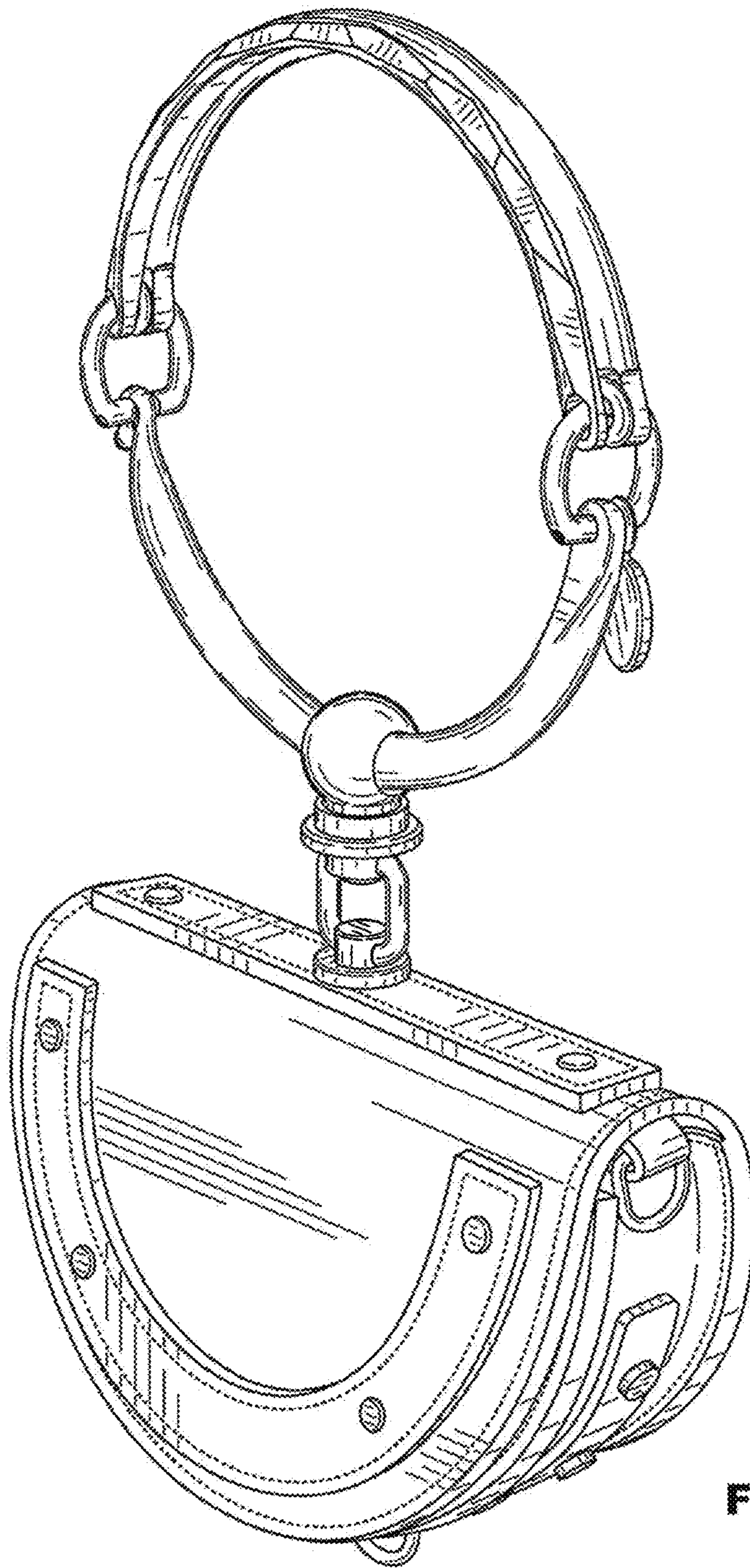


FIG. 8

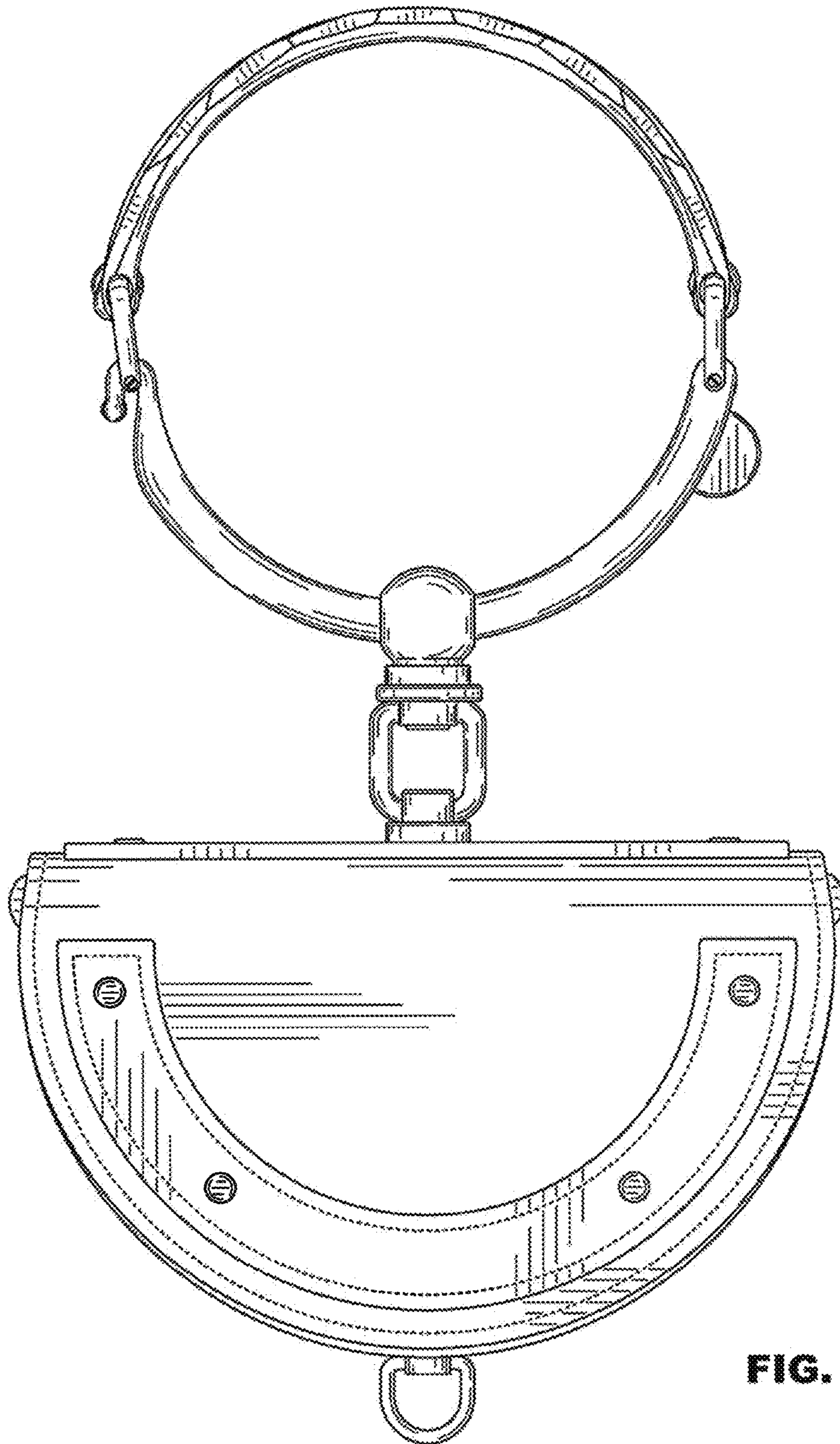


FIG. 9

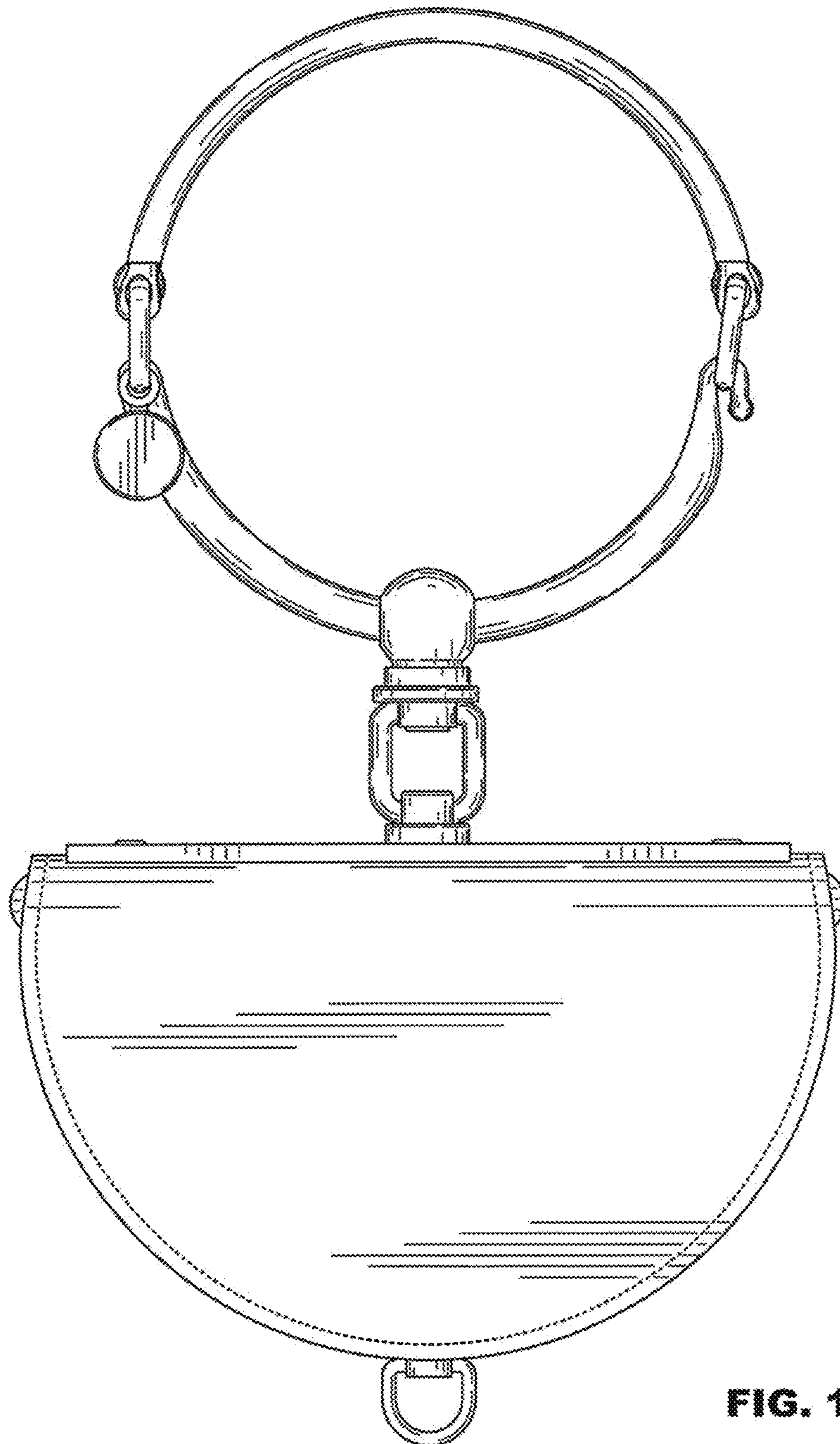


FIG. 10

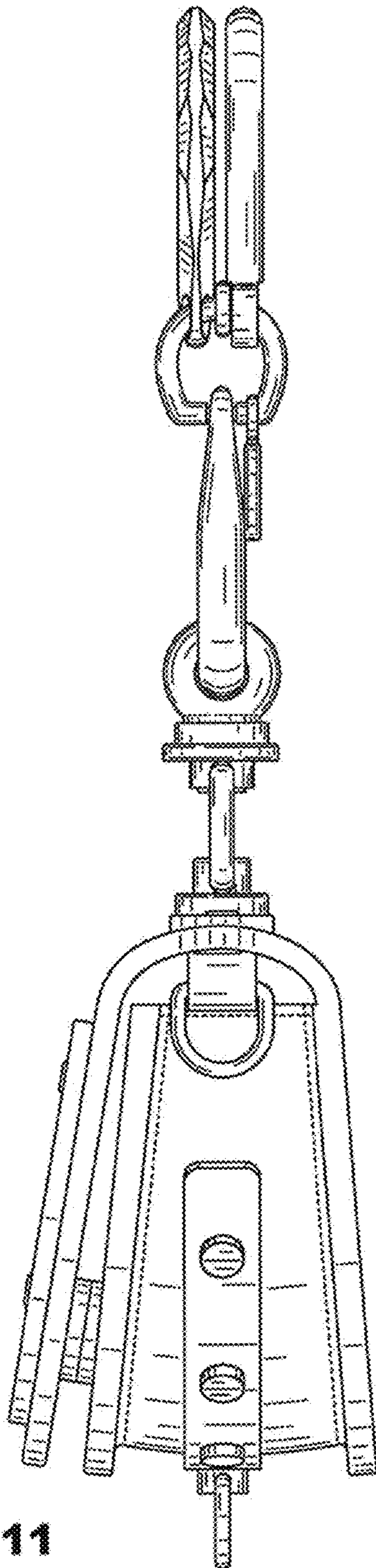


FIG. 11

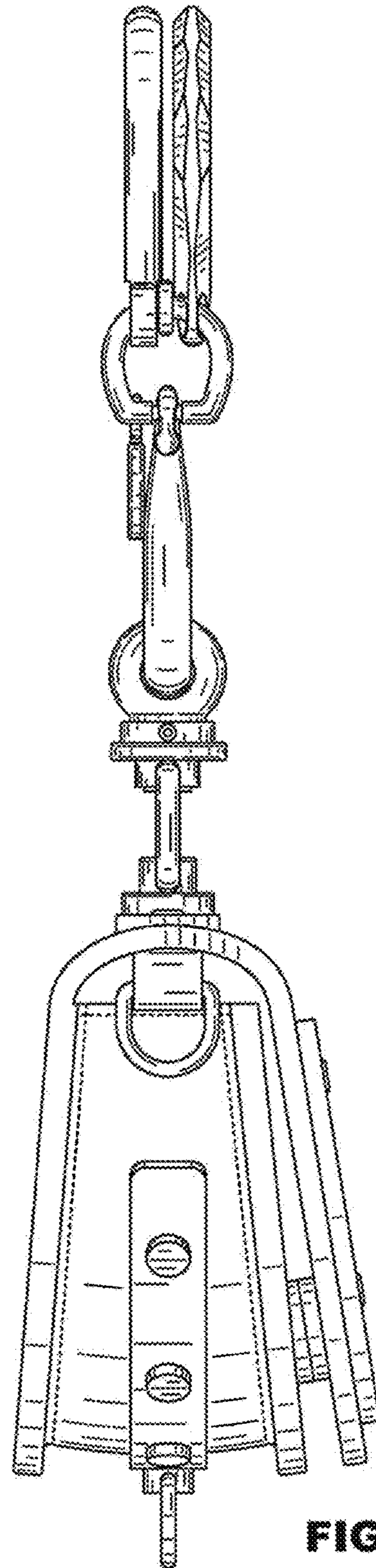


FIG. 12

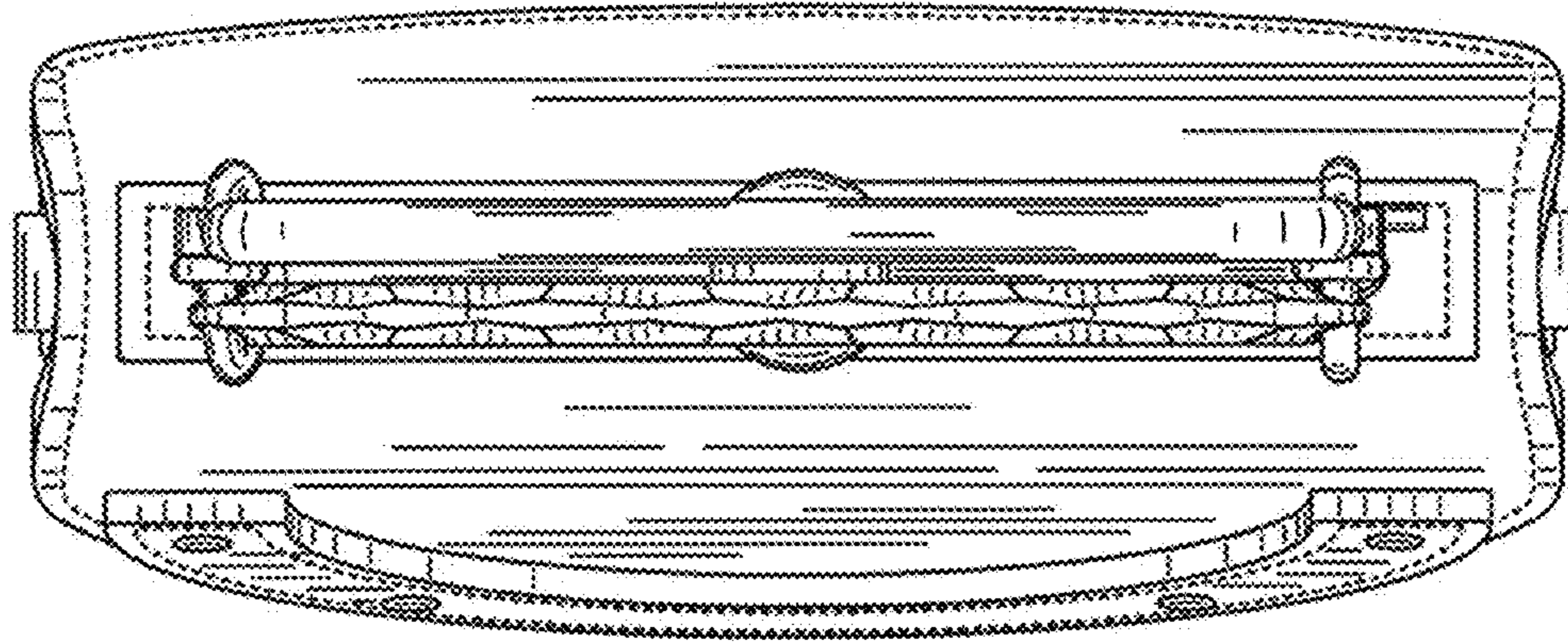


FIG. 13

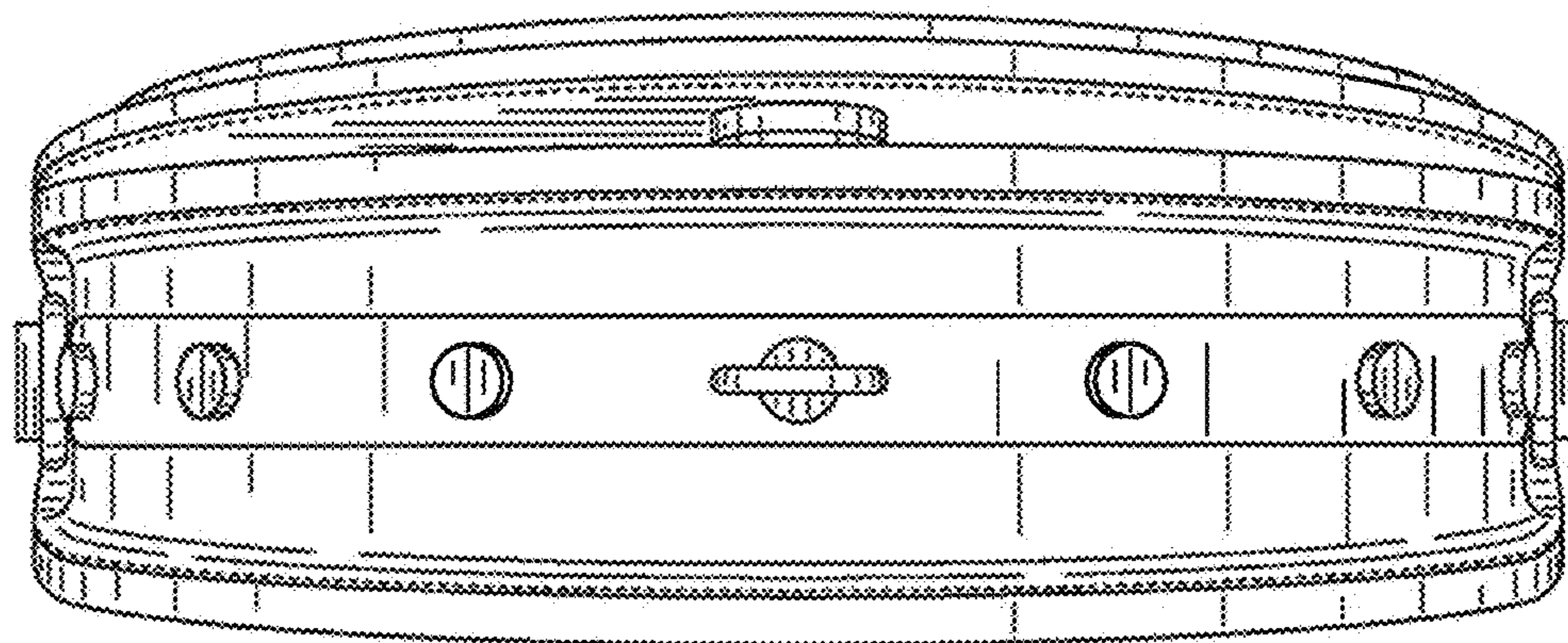


FIG. 14