



US00D834309S

(12) **United States Design Patent**  
**Heyman**

(10) **Patent No.:** **US D834,309 S**

(45) **Date of Patent:** **\*\* Nov. 27, 2018**

(54) **HANDBAG**

(71) Applicant: **Edie Parker LLC**, New York, NY (US)

(72) Inventor: **Brett Heyman**, New York, NY (US)

(\*\*) Term: **15 Years**

(21) Appl. No.: **29/605,889**

(22) Filed: **May 31, 2017**

(51) **LOC (11) Cl.** ..... **03-01**

(52) **U.S. Cl.**  
USPC ..... **D3/232; D3/243**

(58) **Field of Classification Search**  
USPC ..... D3/232–233, 240–243, 245–246, 318  
CPC ..... A45C 1/024; A45C 3/06  
See application file for complete search history.

(56) **References Cited**

U.S. PATENT DOCUMENTS

D587,451 S *	3/2009	Guichot	.....	D3/246
D602,249 S *	10/2009	Stulman	.....	D3/245
D632,889 S *	2/2011	Jobert	.....	D3/243
D661,894 S *	6/2012	Sassi	.....	D3/245
D686,415 S *	7/2013	Sassi	.....	D3/318
D721,485 S *	1/2015	Sassi	.....	D3/243

D765,969 S *	9/2016	Bonesi	.....	D3/243
D775,820 S *	1/2017	Sassi	.....	D3/232
2009/0026240 A1 *	1/2009	Wang	.....	A45C 3/06 224/575

\* cited by examiner

*Primary Examiner* — Cathron C Brooks  
*Assistant Examiner* — Andrew T Nemeth  
(74) *Attorney, Agent, or Firm* — Springut Law PC;  
Milton Springut

(57) **CLAIM**

The ornamental design for a handbag, as shown and described.

**DESCRIPTION**

FIG. 1 is a perspective view of a handbag showing my new design, and shown in a slightly expanded configuration; FIG. 2 is a front view thereof, but shown in a flattened configuration; FIG. 3 is a rear view thereof; FIG. 4 is a left side view thereof; FIG. 5 is a right side view thereof; FIG. 6 is a top view thereof; and, FIG. 7 is a bottom view thereof. The broken lines illustrate portions of the handbag that form no part of the claimed design.

**1 Claim, 5 Drawing Sheets**

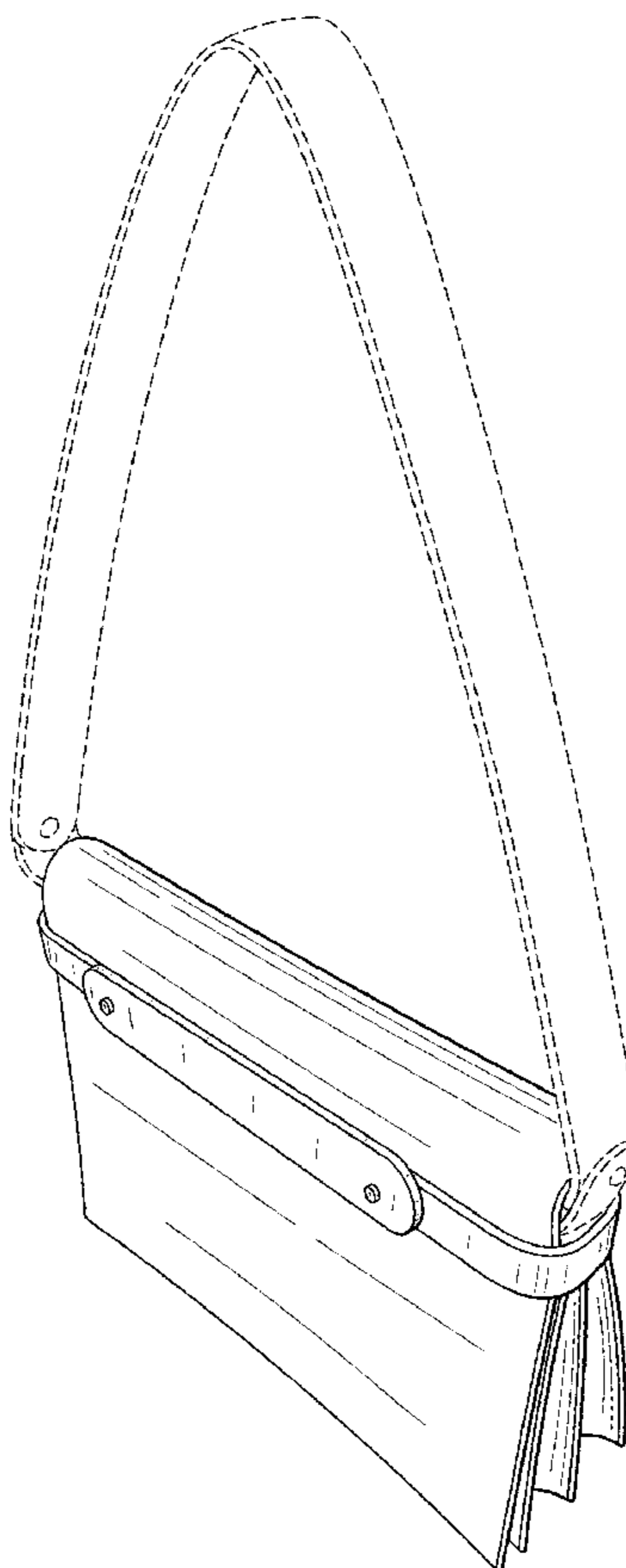


FIG. 1

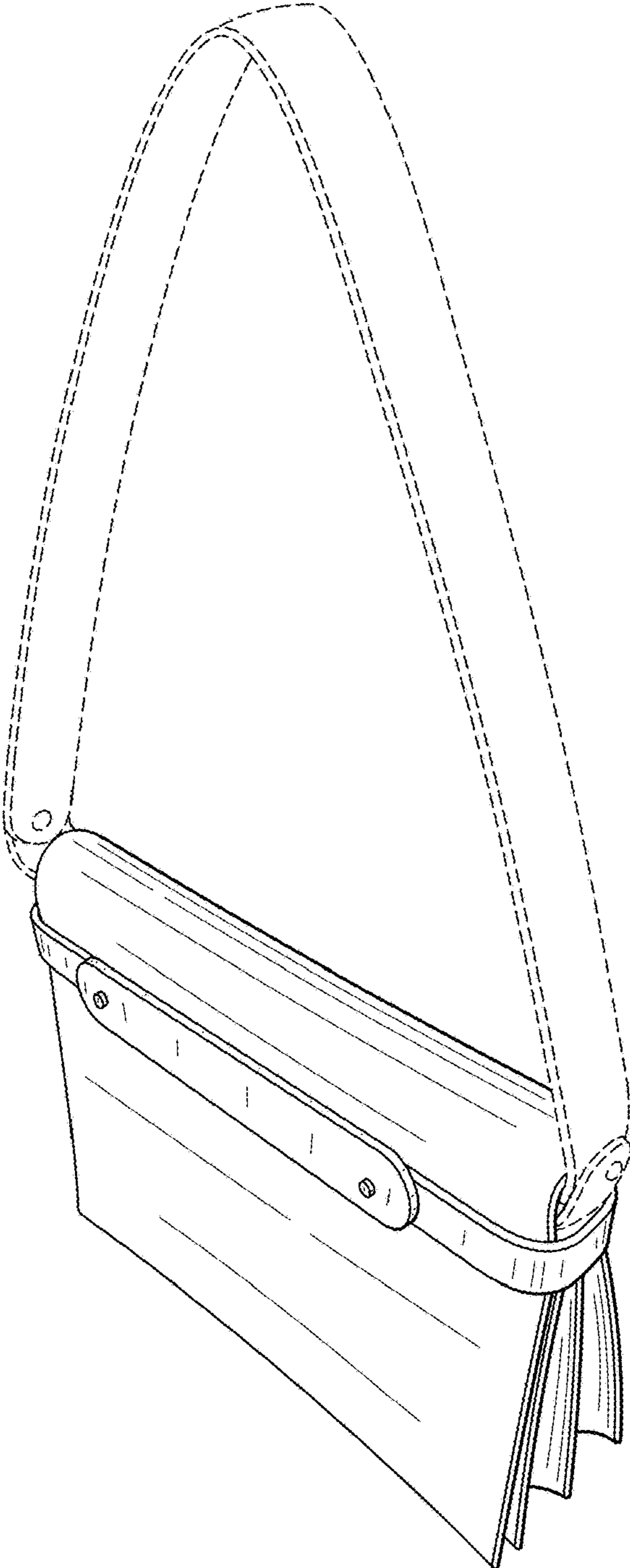


FIG. 2

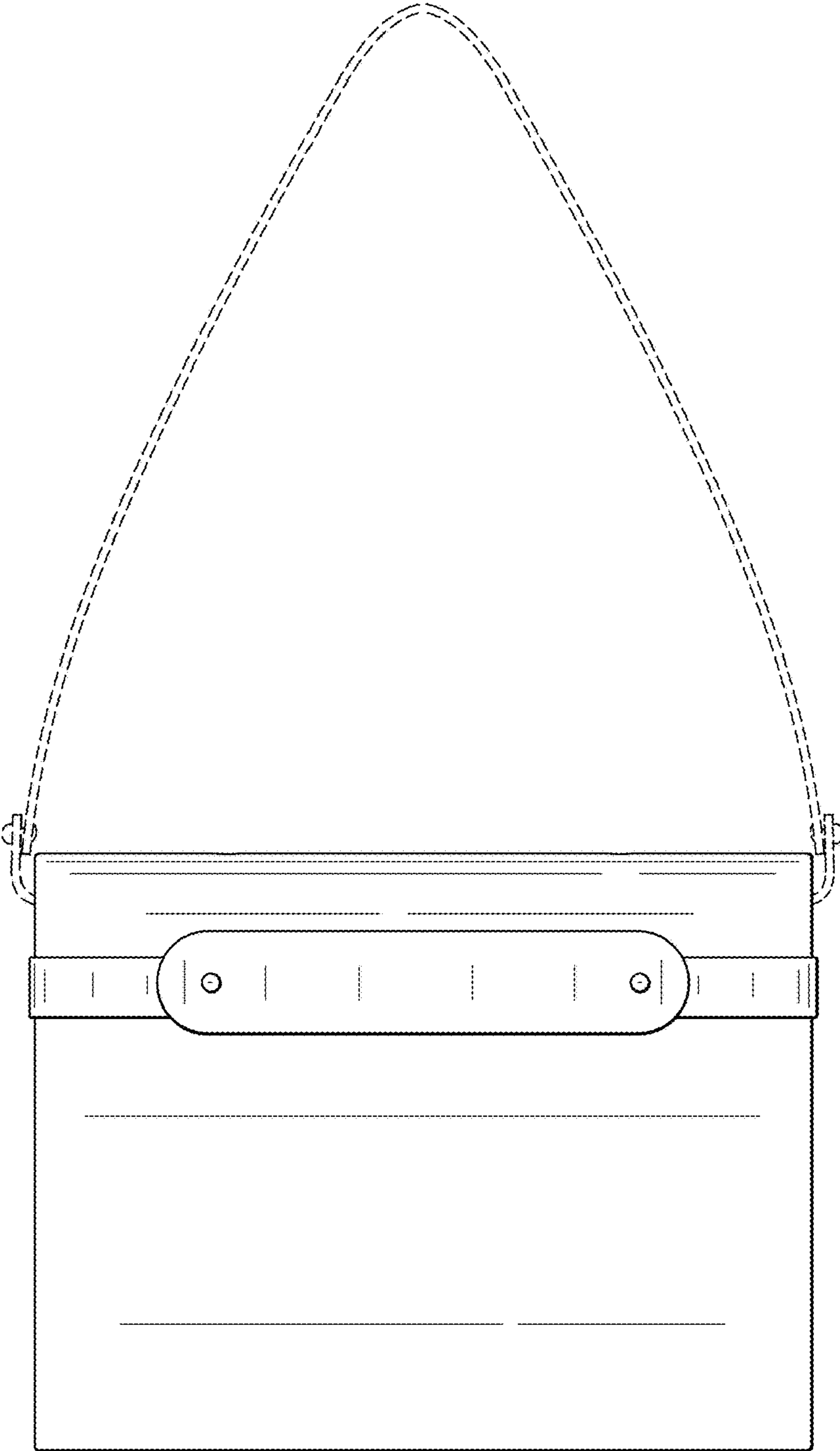


FIG. 3

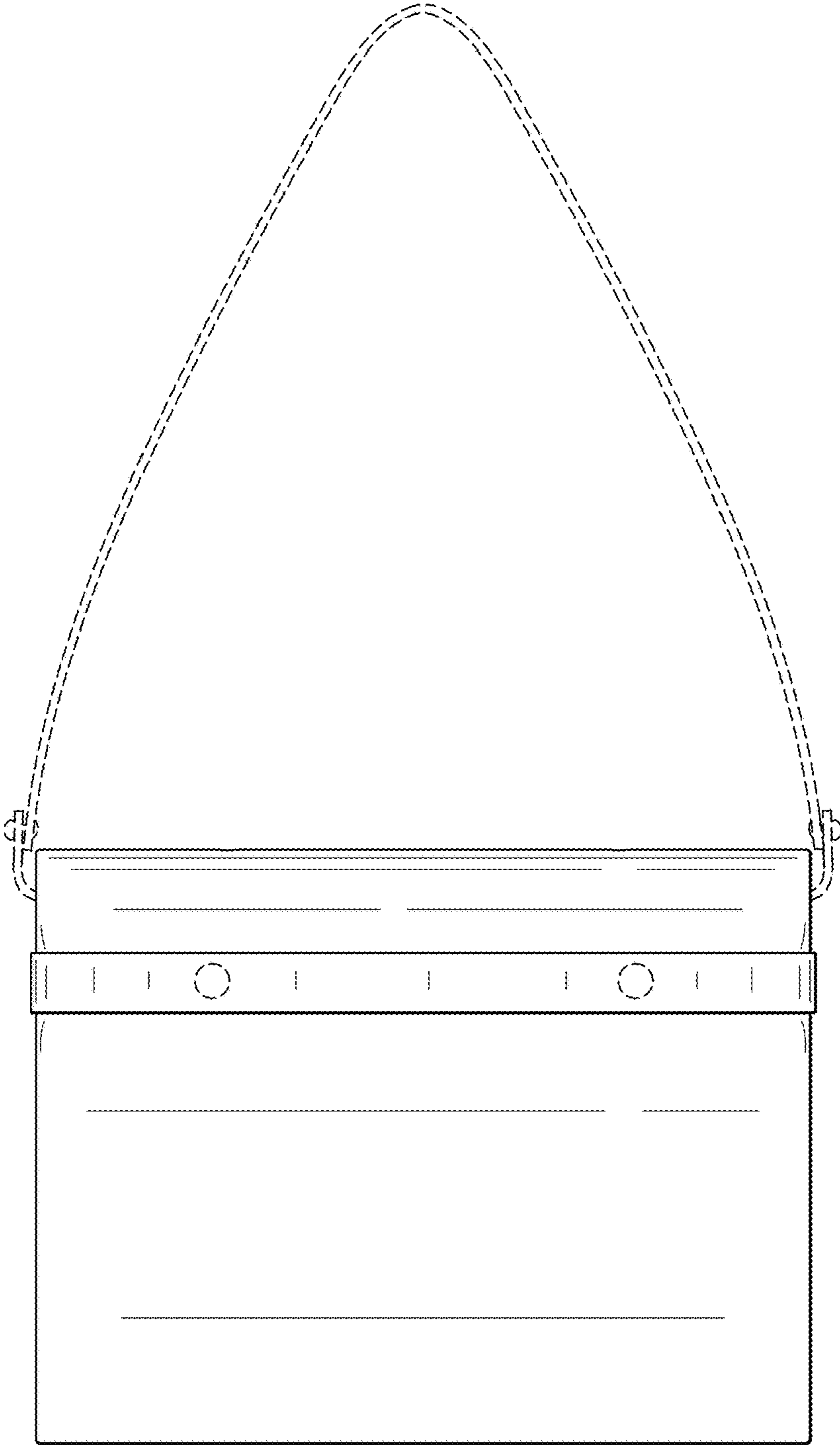


FIG. 4

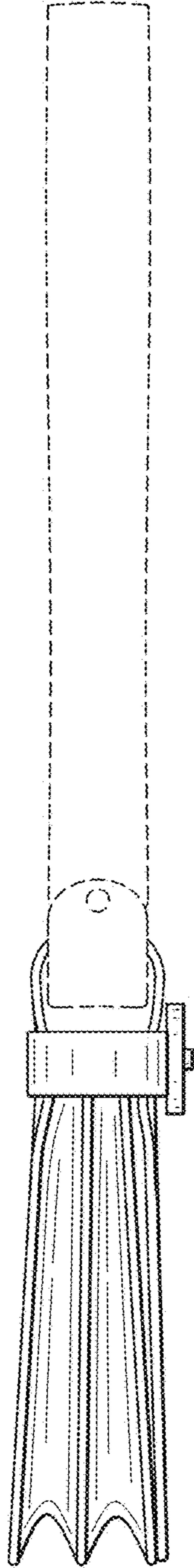


FIG. 5

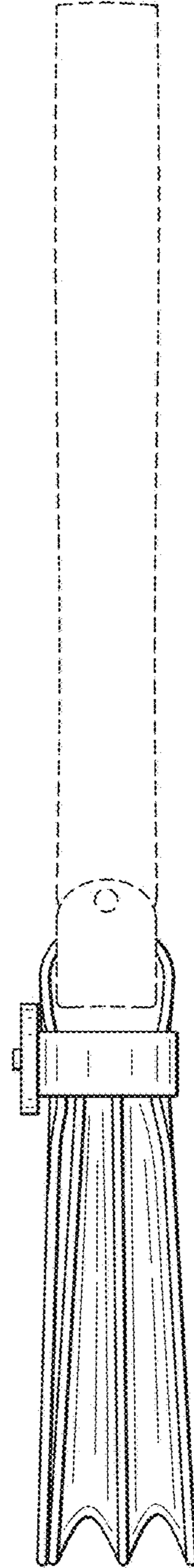


FIG. 6

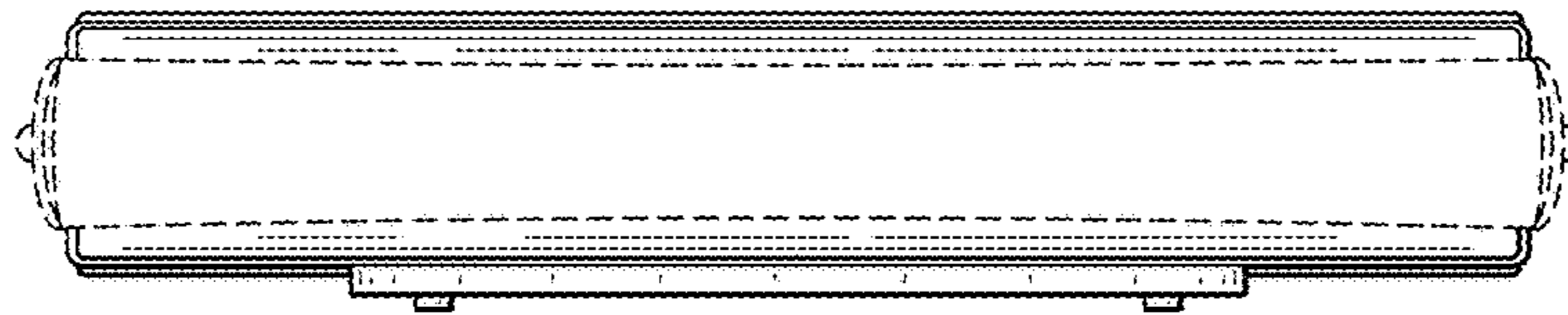


FIG. 7

