



US00D834308S

(12) **United States Design Patent**  
**Knudsen et al.**

(10) **Patent No.:** **US D834,308 S**

(45) **Date of Patent:** **\*\* Nov. 27, 2018**

(54) **WEARABLE FISHING TACKLE HOLDER**

8,534,514 B2 \* 9/2013 Zhu ..... A45F 5/00  
224/152

(71) Applicants: **Dean Andrew Knudsen**, Stansbury  
Park, UT (US); **Carlyle Bohman**  
**Knudsen**, South Jordan, UT (US)

D718,927 S \* 12/2014 Smith ..... D3/221  
D744,232 S \* 12/2015 Holm ..... D3/221

\* cited by examiner

(72) Inventors: **Dean Andrew Knudsen**, Stansbury  
Park, UT (US); **Carlyle Bohman**  
**Knudsen**, South Jordan, UT (US)

*Primary Examiner* — Catherine R Oliver-Garcia  
(74) *Attorney, Agent, or Firm* — Nadesan Beck P.C.;  
David A. Jones

(\*\*) Term: **15 Years**

(57) **CLAIM**

The ornamental design for a wearable fishing tackle holder,  
as shown and described.

(21) Appl. No.: **29/618,190**

**DESCRIPTION**

(22) Filed: **Sep. 19, 2017**

(51) **LOC (11) Cl.** ..... **03-01**

(52) **U.S. Cl.**

USPC ..... **D3/221**

(58) **Field of Classification Search**

USPC ..... D3/215, 221, 224, 226; 43/57.1;  
206/315.11; 224/219, 222, 267, 269, 165,  
224/152

CPC ..... A45F 5/00; A45F 2005/0008; A45F  
2200/0516; G04B 37/1486; G06F 1/163;  
A01K 97/06

See application file for complete search history.

FIG. 1 is a first perspective view of the wearable fishing tackle holder, showing our new design.

FIG. 2 is a top view of the wearable fishing tackle holder of FIG. 1;

FIG. 3 is a bottom view of the wearable fishing tackle holder of FIG. 1;

FIG. 4 is a right view of the wearable fishing tackle holder of FIG. 1;

FIG. 5 is a left view of the wearable fishing tackle holder of FIG. 1;

FIG. 6 is a front view of the wearable fishing tackle holder of FIG. 1;

FIG. 7 is a rear view of the wearable fishing tackle holder of FIG. 1; and,

FIG. 8 is a second perspective view of the wearable fishing tackle holder.

The broken lines depict environmental structure and are included for the purpose of illustration only and form no part of the claimed design.

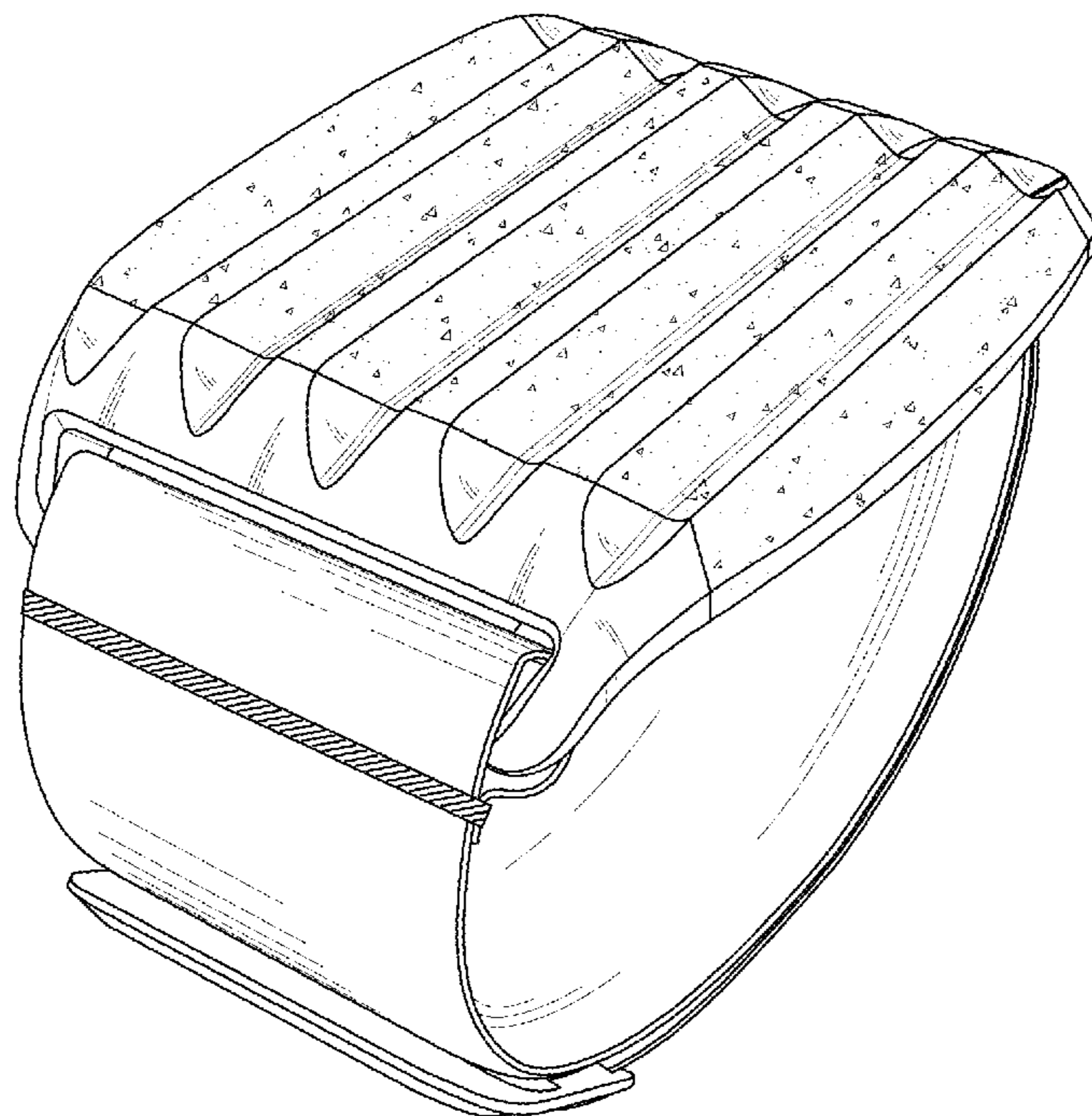
(56) **References Cited**

**U.S. PATENT DOCUMENTS**

D351,207 S \* 10/1994 Chestnut ..... D3/221  
5,454,185 A \* 10/1995 Love ..... A01K 97/06  
206/315.11

D536,522 S \* 2/2007 McIntosh ..... D3/215  
D553,353 S \* 10/2007 Karadimas ..... D3/221  
D556,853 S \* 12/2007 Buck ..... D22/134

**1 Claim, 8 Drawing Sheets**



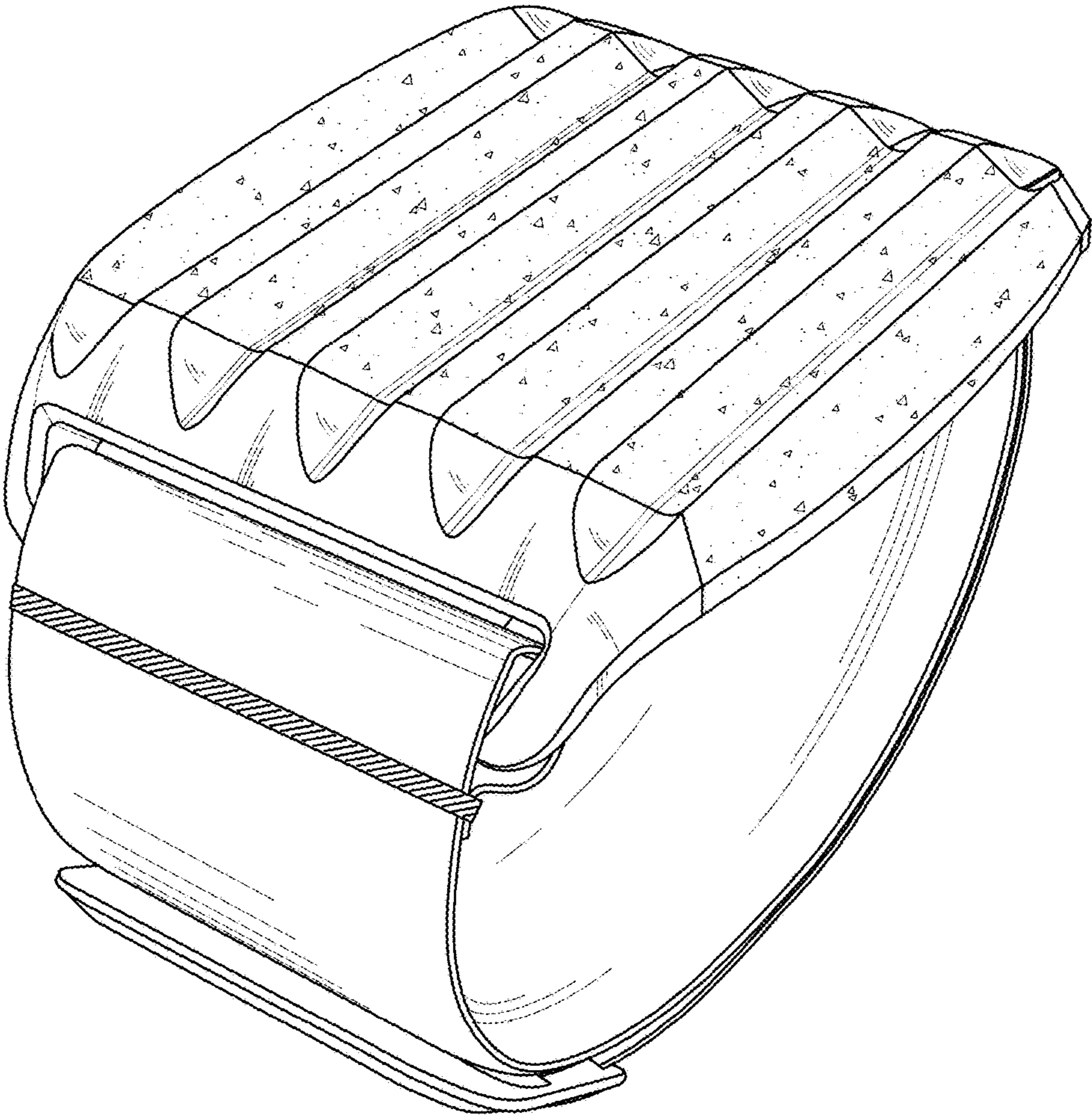


FIG. 1

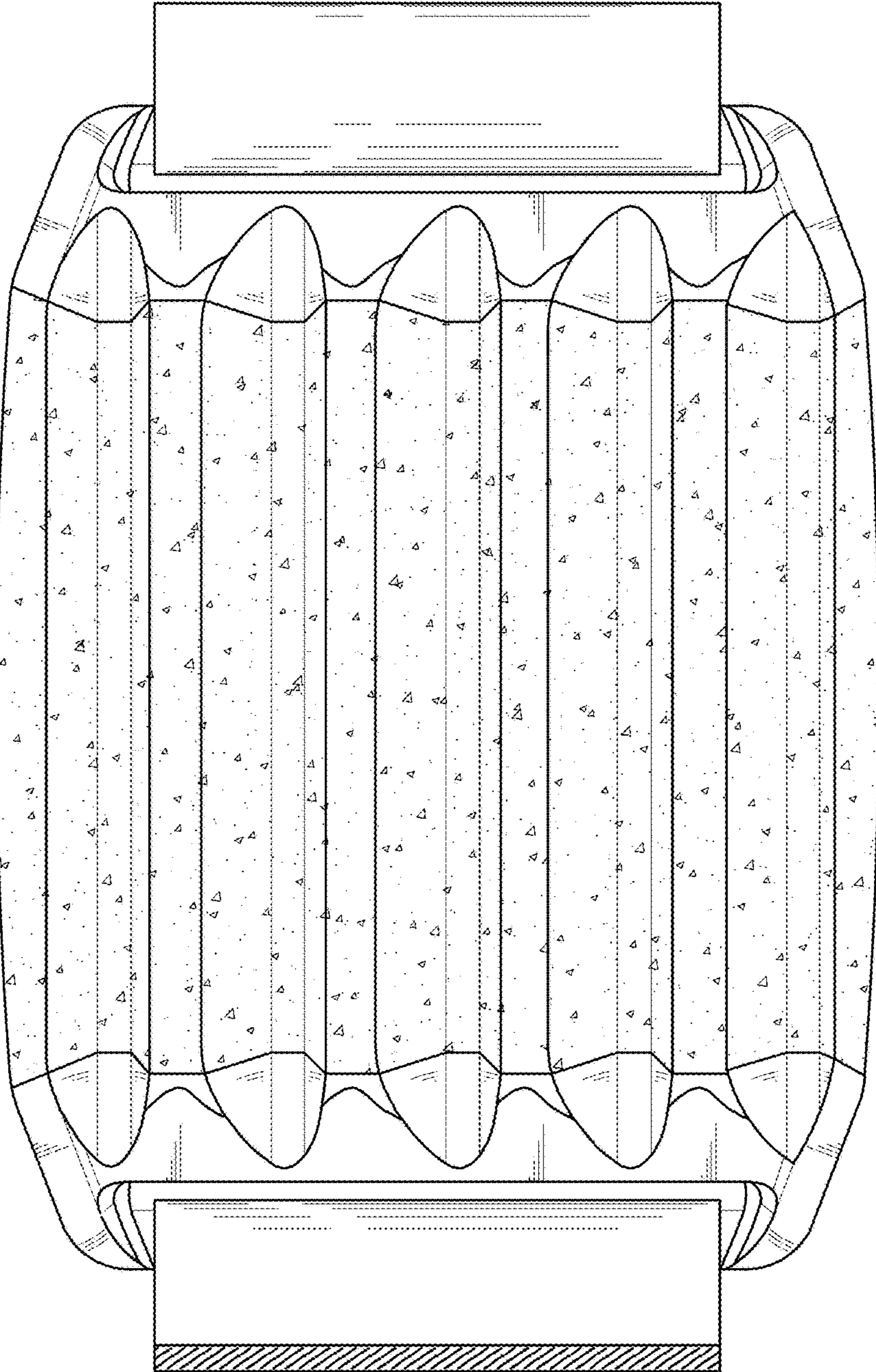


FIG. 2

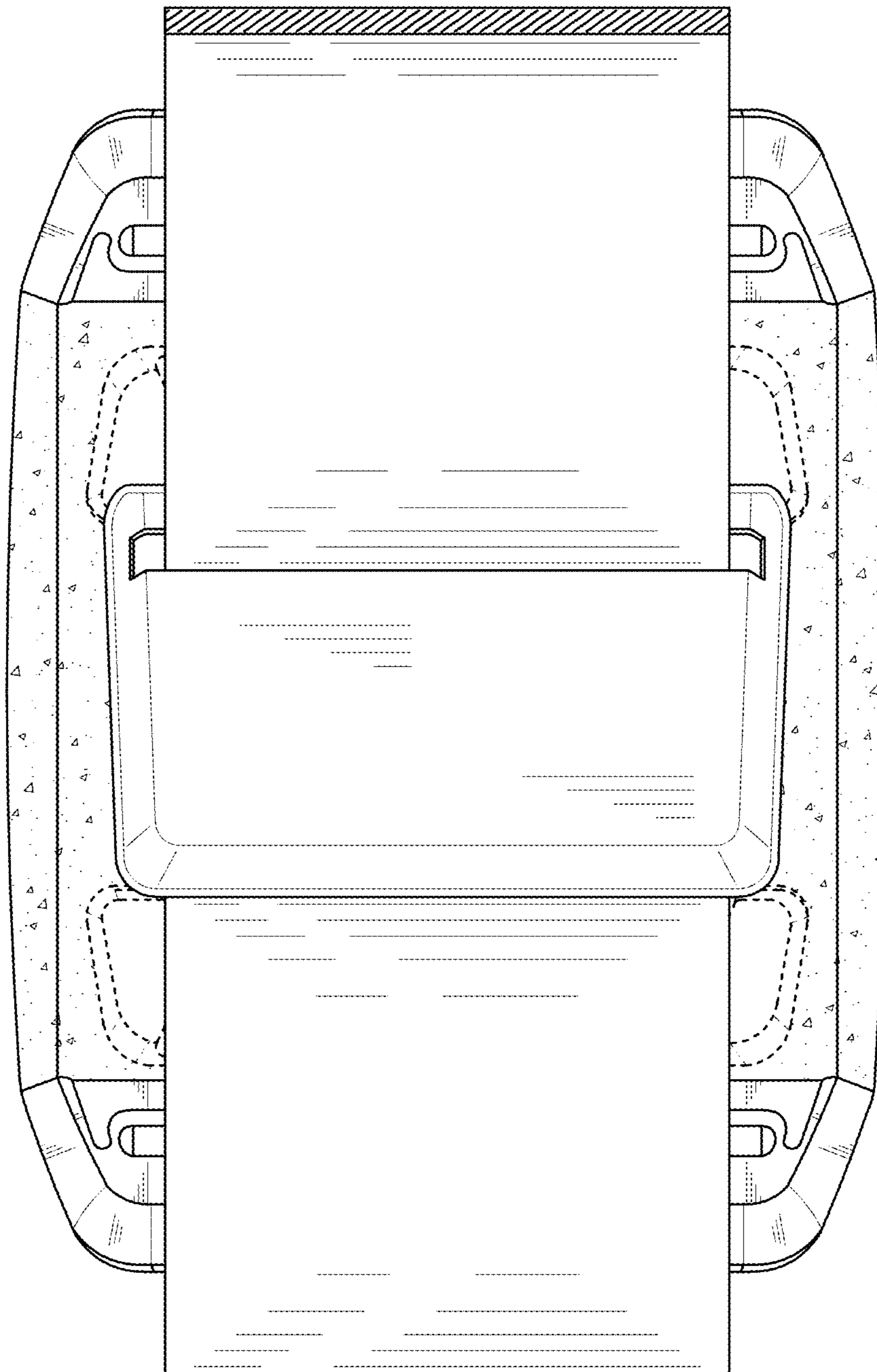


FIG. 3

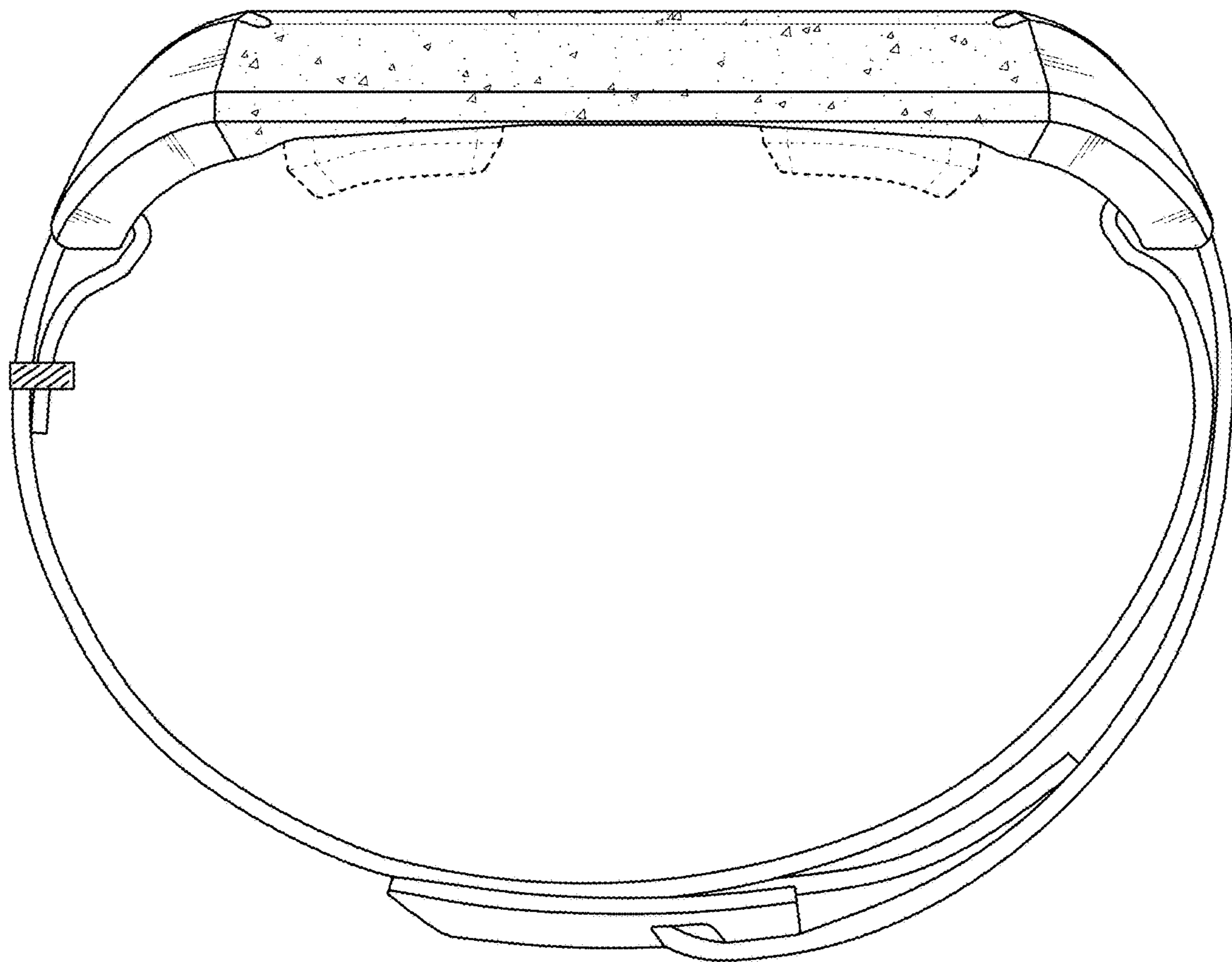


FIG. 4

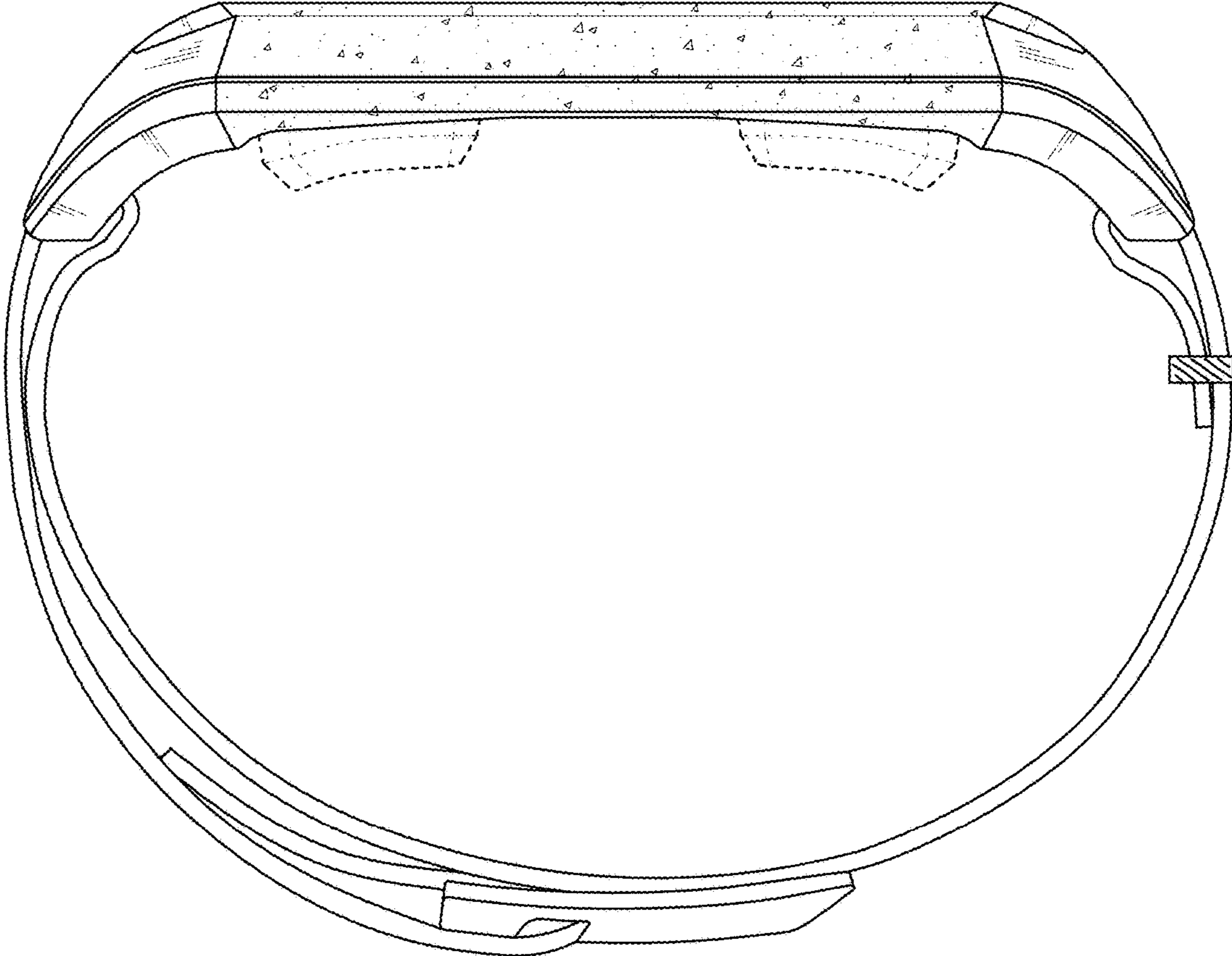


FIG. 5

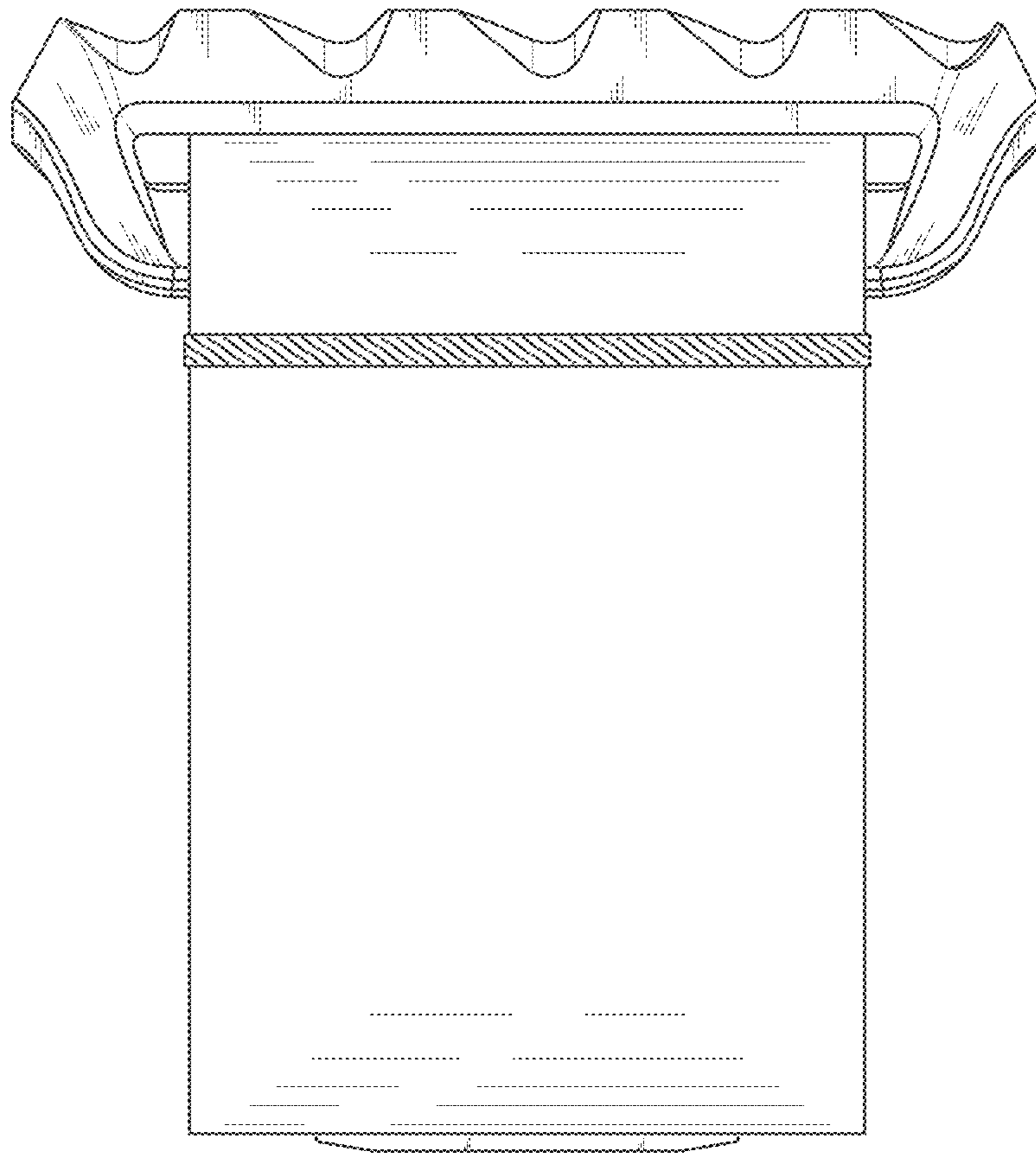


FIG. 6

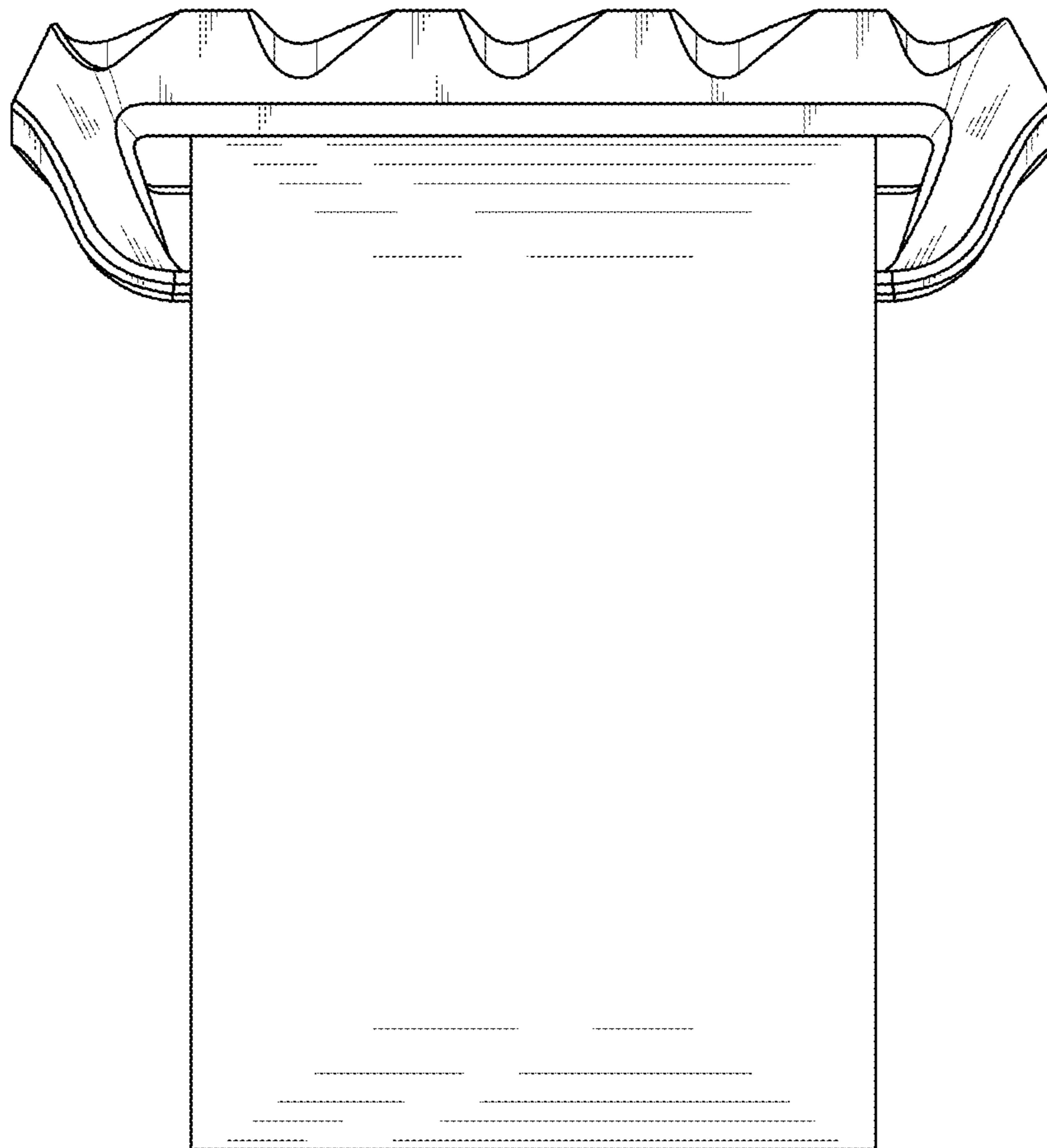


FIG. 7



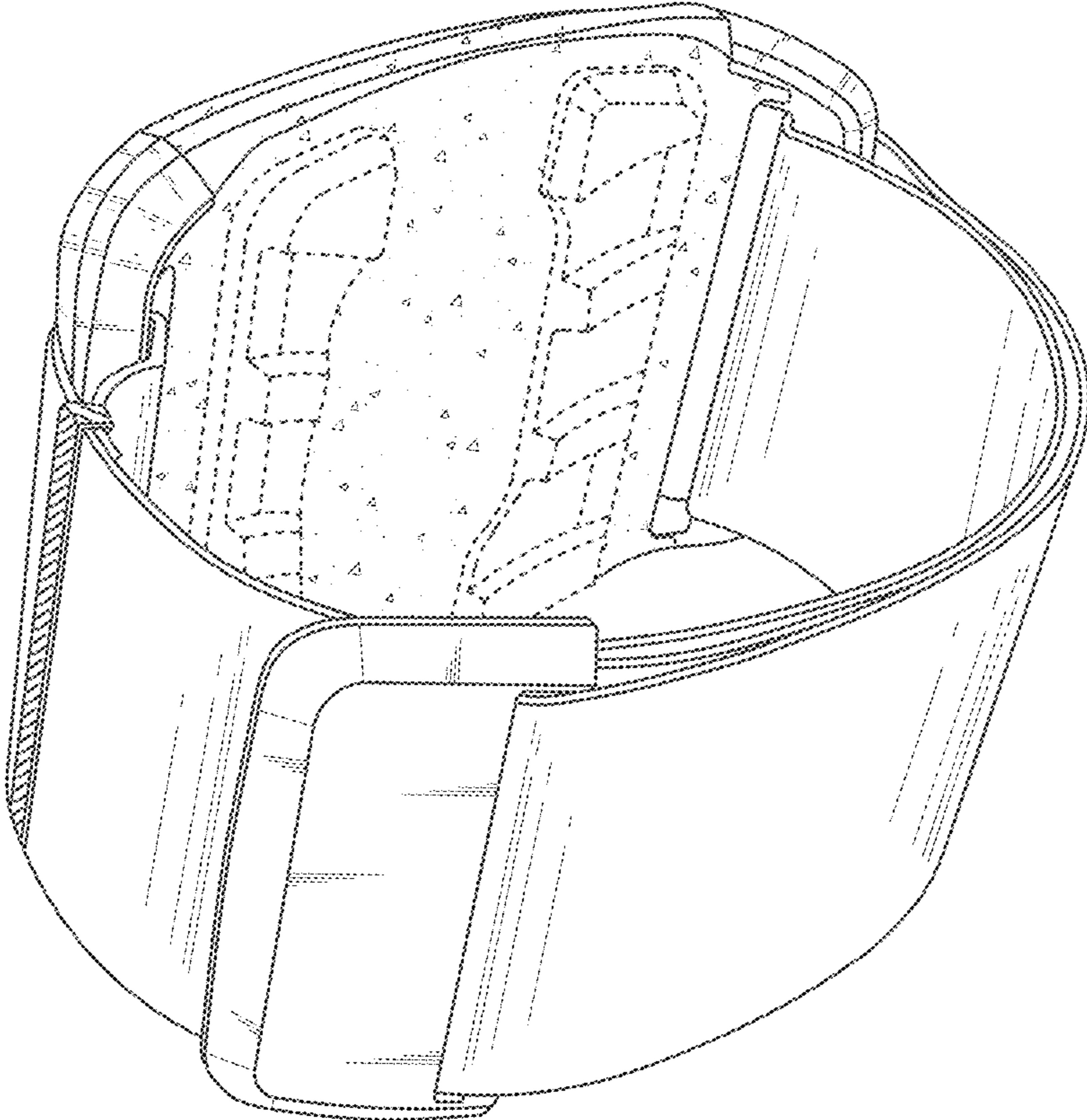


FIG. 8