



US00D834307S

(12) **United States Design Patent** (10) **Patent No.:** **US D834,307 S**
Shelton (45) **Date of Patent:** **** Nov. 27, 2018**

(54) **COMBINATION KEY RING AND FRAGRANCE DISPENSER**
(71) Applicant: **Nicole Shelton**, Astoria, NY (US)
(72) Inventor: **Nicole Shelton**, Astoria, NY (US)
(**) Term: **15 Years**
(21) Appl. No.: **29/612,892**
(22) Filed: **Aug. 4, 2017**
(51) **LOC (11) Cl.** **03-01**
(52) **U.S. Cl.**
USPC **D3/208; D9/535; D9/532**
(58) **Field of Classification Search**
USPC D3/207–212; 70/456 B, 457, 458, 408,
70/456 R; D13/168; D8/347; D10/104;
D14/496; 206/37.1; D21/604, 605, 656,
D21/658, 659; 24/3.6; D11/11, 79, 81,
D11/82, 87; D9/535, 544, 629, 682, 685,
D9/689, 692, 693, 694, 688
CPC H04B 1/034; F04B 15/00; E05B 19/04;
A44B 15/00; A44B 15/002; A44B
15/005; A44B 15/007
See application file for complete search history.

(56) **References Cited**
U.S. PATENT DOCUMENTS
450,378 A * 4/1891 Robinson B24D 15/00
15/245
D207,511 S * 4/1967 Riordan D9/529
D247,769 S * 4/1978 Sagona D9/535
D325,698 S * 4/1992 Cavazza D9/544
D412,851 S * 8/1999 Nosella D9/544
D414,703 S * 10/1999 Nosella D9/544

D433,562 S * 11/2000 Redlinger D3/208
D472,149 S * 3/2003 Beals D3/208
D570,697 S * 6/2008 Wagner D9/535
D631,751 S * 2/2011 Fox D9/520
D646,888 S * 10/2011 Kieswetter D3/208
D755,057 S * 5/2016 Mutter D9/529
D756,227 S * 5/2016 Goswell D9/454
D783,268 S * 4/2017 Shelton D28/91.1

* cited by examiner

Primary Examiner — Ralf Seifert
(74) *Attorney, Agent, or Firm* — Matthew M. Googe;
Robinson IP Law, PLLC

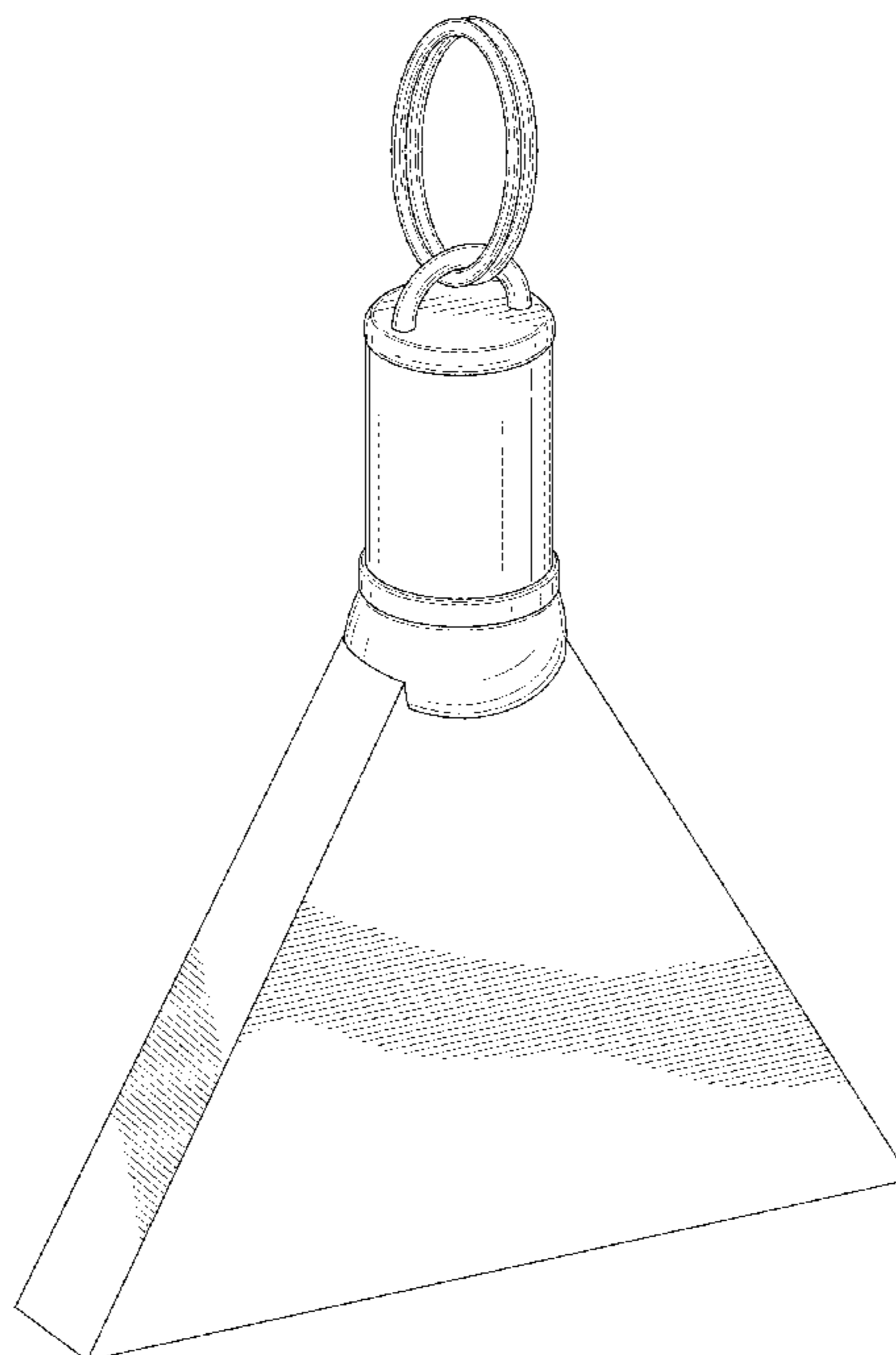
(57) **CLAIM**

The ornamental design for a combination key ring and fragrance dispenser, as shown and described.

DESCRIPTION

FIG. 1 is a front, left perspective view of the combination key ring and fragrance dispenser showing my new design; FIG. 2 is a front elevational view thereof; FIG. 3 is a left side elevational view thereof, the right side being a mirror image thereof; FIG. 4 is a top view thereof; FIG. 5 is a bottom view thereof; and, FIG. 6 is a front view of the combination key ring and fragrance dispenser in an open configuration with the cap removed.
The thin solid lines in the views have been provided for the purpose of illustrating the uniformity of the planar surfaces and the contour of the curved surfaces and are not a claimed surface pattern.

1 Claim, 5 Drawing Sheets



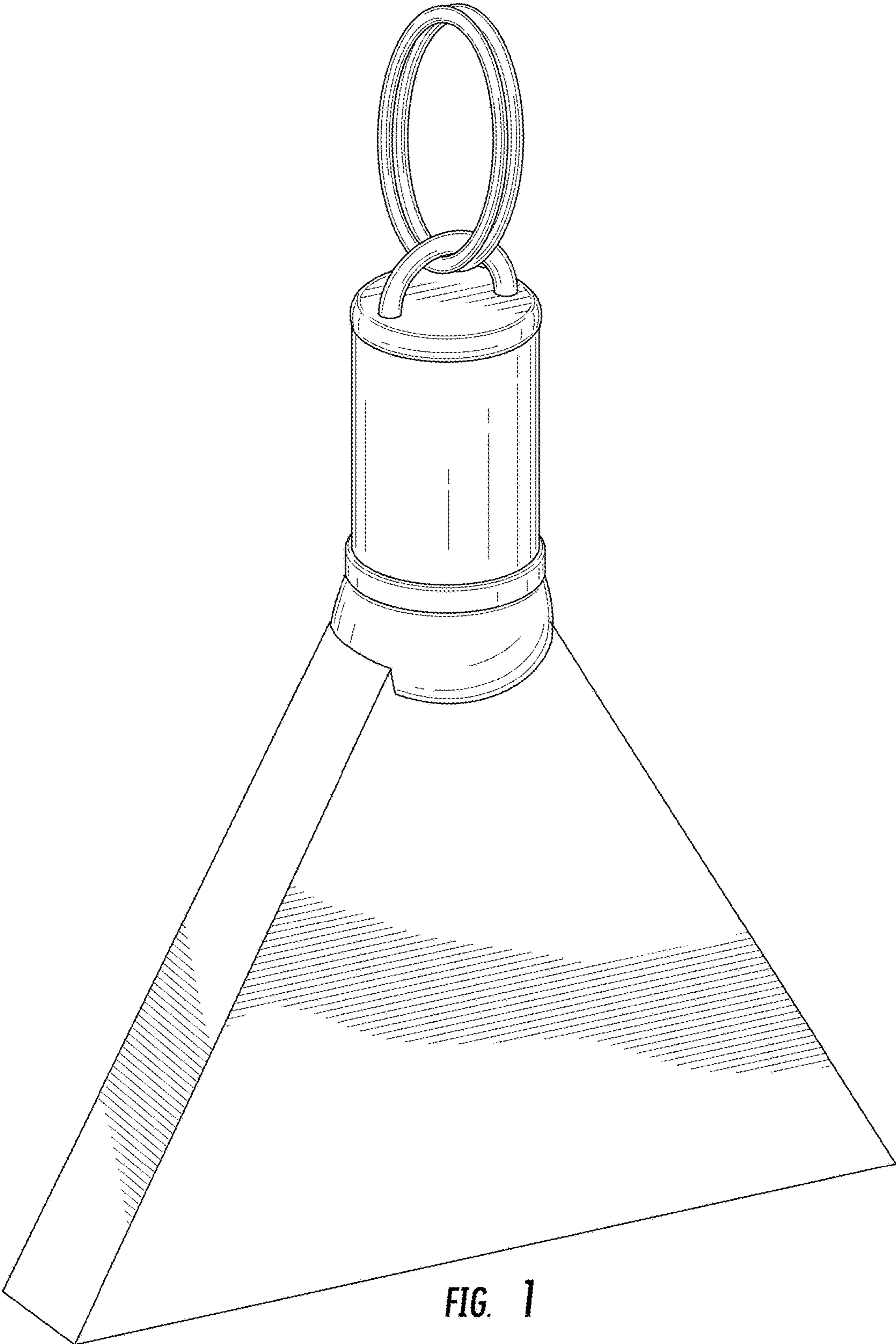


FIG. 1

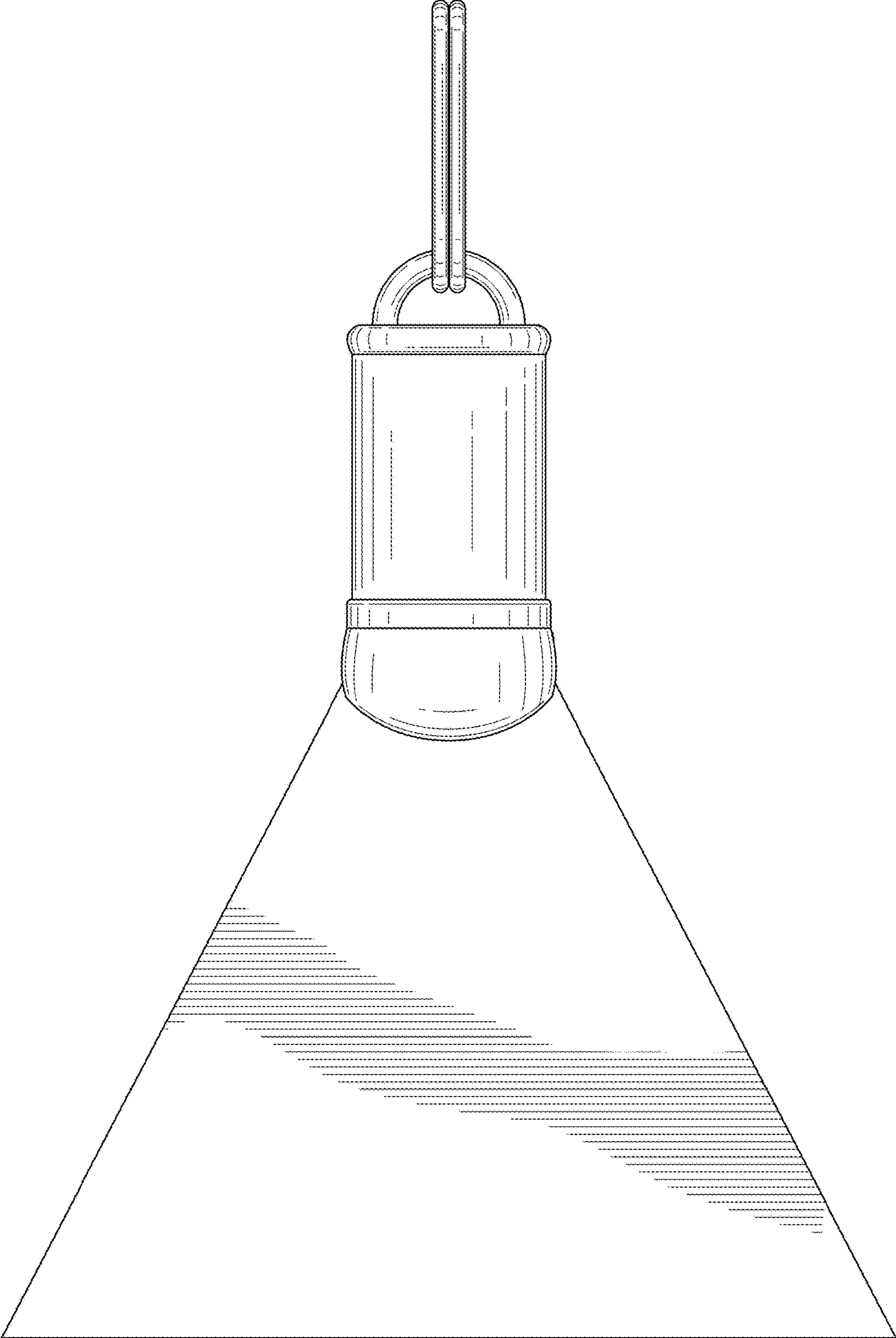


FIG. 2

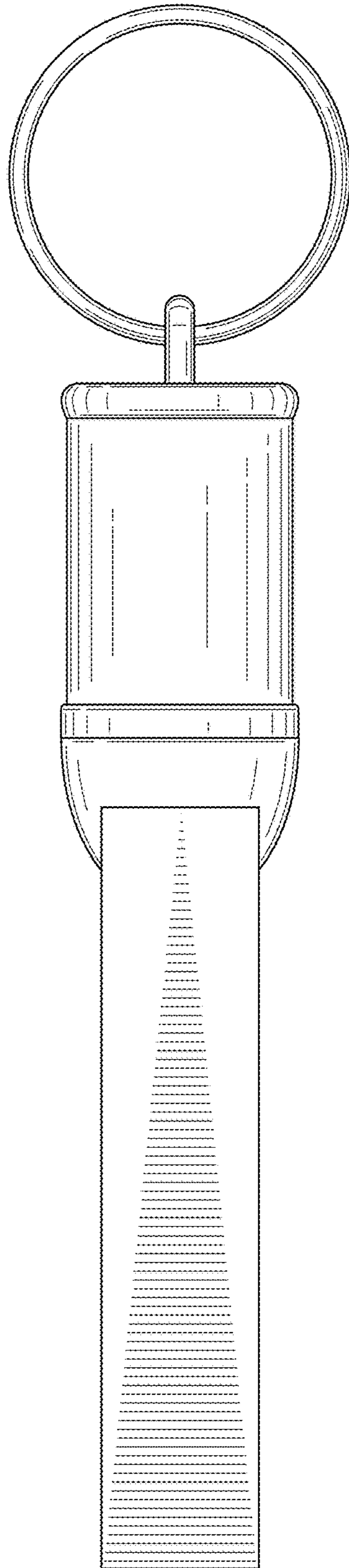


FIG. 3

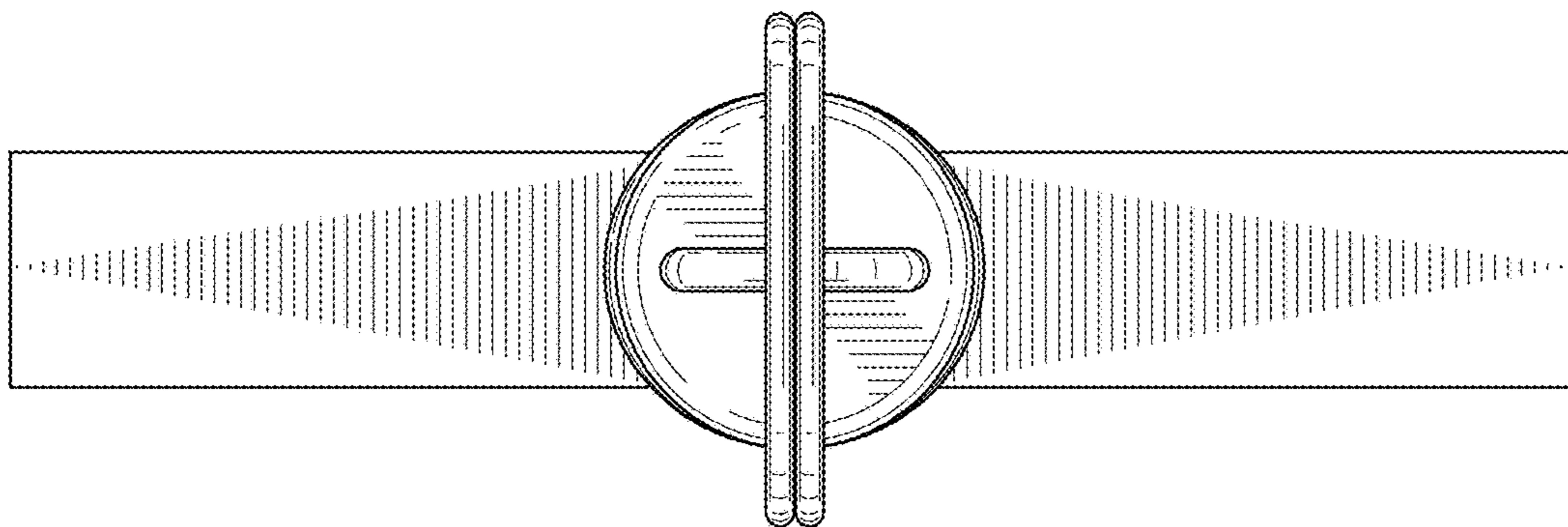


FIG. 4

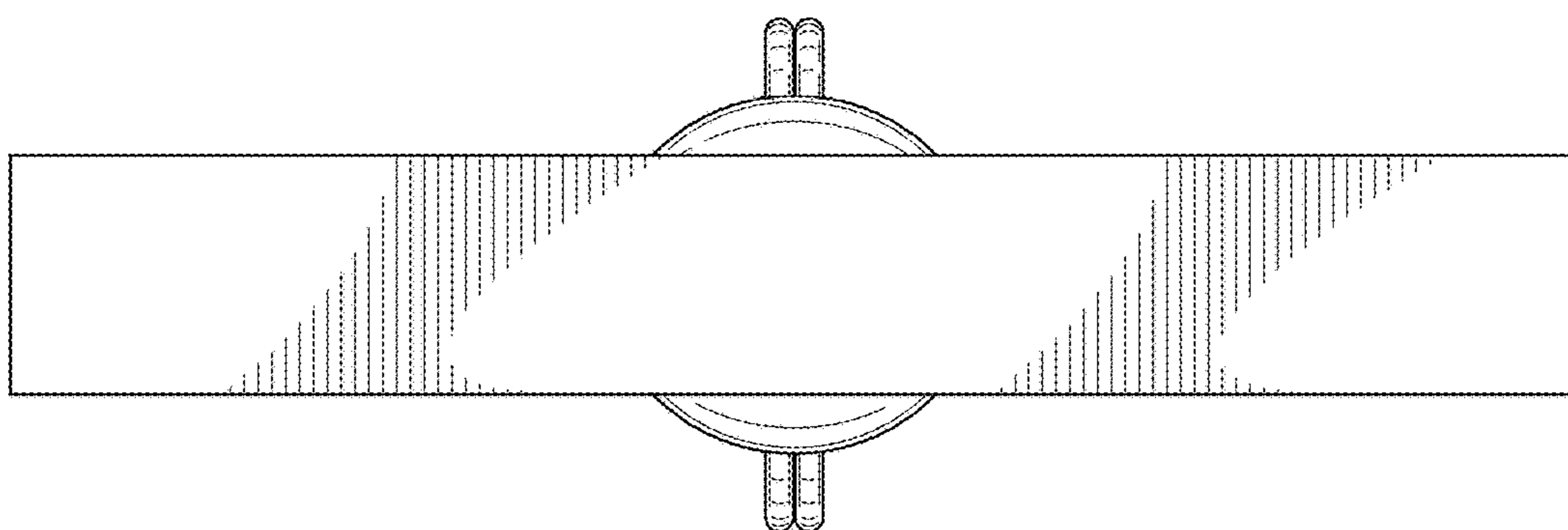


FIG. 5

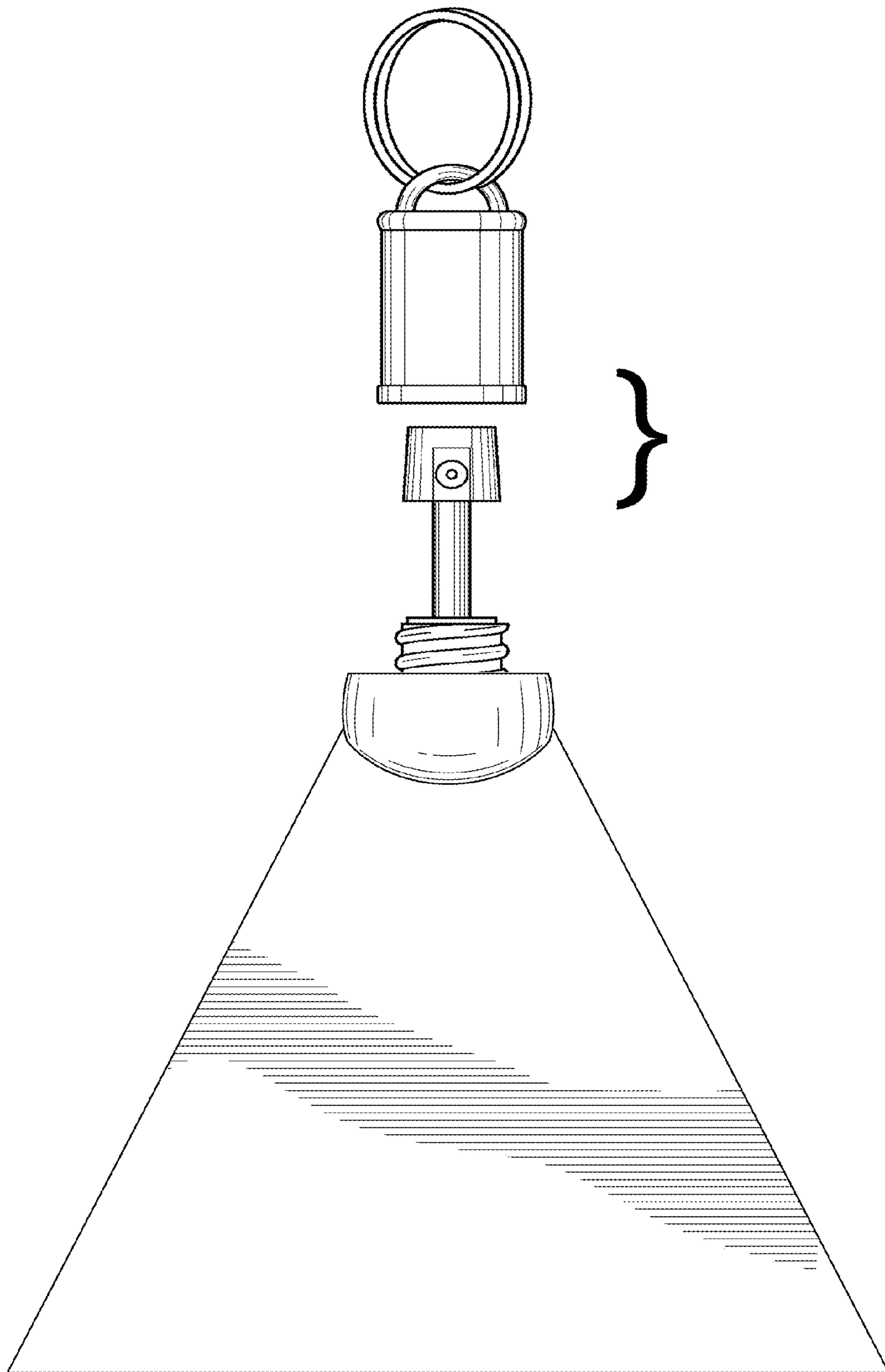


FIG 6