



US00D834306S

(12) **United States Design Patent** (10) **Patent No.:** **US D834,306 S**  
**Shelton** (45) **Date of Patent:** **\*\* Nov. 27, 2018**

(54) **COMBINATION KEY RING AND FRAGRANCE DISPENSER**  
(71) Applicant: **Nicole Shelton**, Astoria, NY (US)  
(72) Inventor: **Nicole Shelton**, Astoria, NY (US)  
(\*\*) Term: **15 Years**  
(21) Appl. No.: **29/612,886**

D460,687 S \* 7/2002 Weinstock ..... D9/629  
D472,149 S \* 3/2003 Beals ..... D3/208  
D485,641 S \* 1/2004 Angeletta ..... D28/7  
D536,622 S \* 2/2007 Modjeski ..... D9/629  
D540,173 S \* 4/2007 Obuchi ..... D9/452  
D561,602 S \* 2/2008 Antonuccio ..... D9/629  
D568,755 S \* 5/2008 Siegel ..... D9/629  
D646,888 S \* 10/2011 Kieswetter ..... D3/208  
D678,002 S \* 3/2013 Facey ..... D7/675  
D783,268 S \* 4/2017 Shelton ..... D28/91.1

\* cited by examiner

(22) Filed: **Aug. 4, 2017**  
(51) **LOC (11) Cl.** ..... **03-01**  
(52) **U.S. Cl.**  
USPC ..... **D3/208**; D9/629; D9/532  
(58) **Field of Classification Search**  
USPC ..... D3/207-212; 70/456 B, 457, 458, 408,  
70/456 R; D13/168; D8/347; D10/104;  
D14/496; 206/37.1; D21/604, 605, 656,  
D21/658, 659; 24/3.6; D11/11, 79, 81,  
D11/82, 87; D9/629, 682, 685, 689, 692,  
D9/693, 694, 688  
CPC ..... H04B 1/034; F04B 15/00; E05B 19/04;  
A44B 15/00; A44B 15/002; A44B  
15/005; A44B 15/007  
See application file for complete search history.

*Primary Examiner* — Ralf Seifert  
(74) *Attorney, Agent, or Firm* — Matthew M. Googe;  
Robinson IP Law, PLLC

(57) **CLAIM**

The ornamental design for a combination key ring and fragrance dispenser, as shown and described.

**DESCRIPTION**

FIG. 1 is a front, left perspective view of the combination key ring and fragrance dispenser showing my new design; FIG. 2 is a front elevational view thereof; FIG. 3 is a left side elevational view thereof, the right side being a mirror image thereof; FIG. 4 is a top view thereof; FIG. 5 is a bottom view thereof; and, FIG. 6 is a front view of the combination key ring and fragrance dispenser in an open configuration with the cap removed.

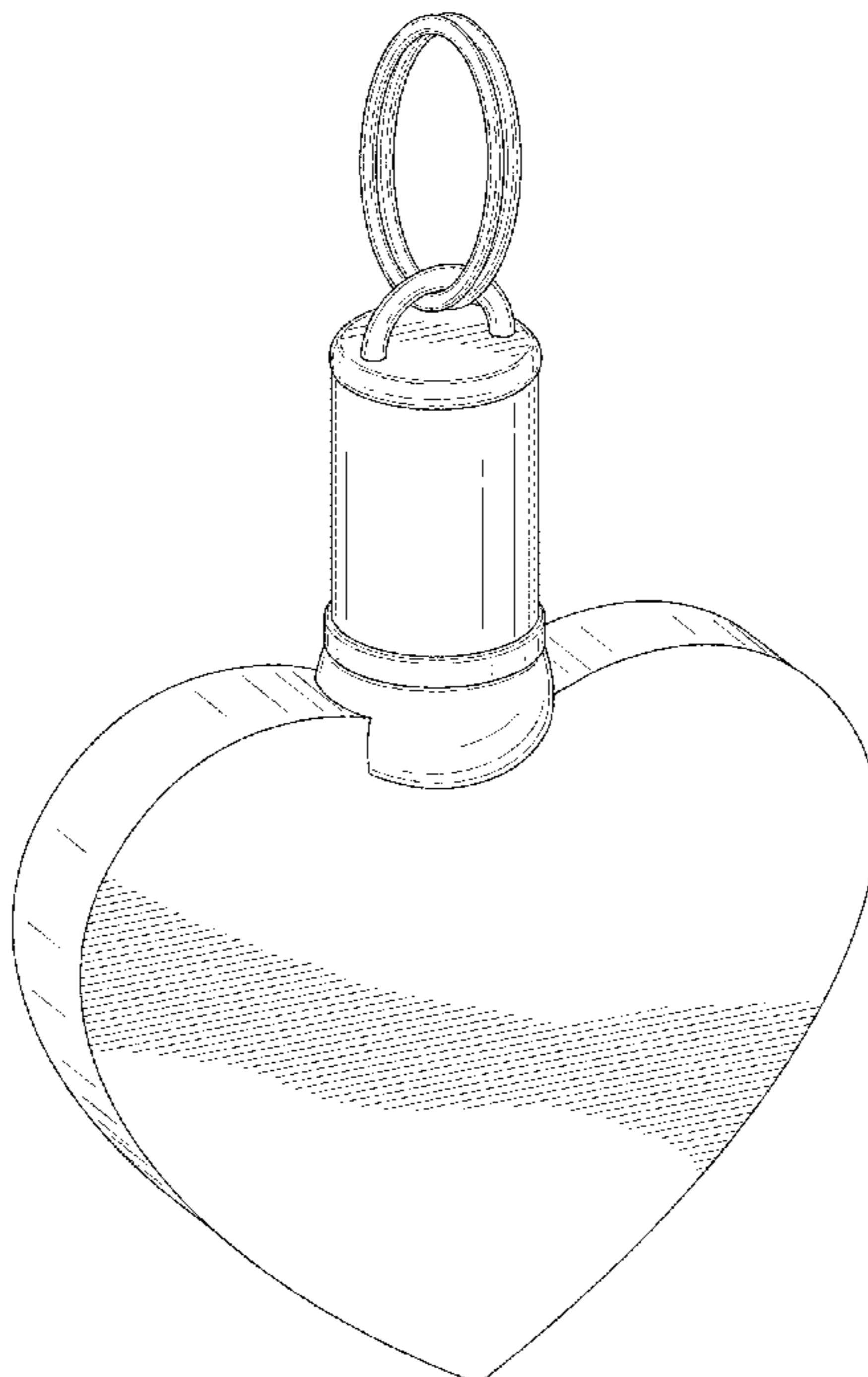
The thin solid lines in the views have been provided for the purpose of illustrating the uniformity of the planar surfaces and the contour of the curved surfaces and are not a claimed surface pattern.

(56) **References Cited**

U.S. PATENT DOCUMENTS

D109,035 S \* 3/1938 Chun ..... D9/629  
D308,284 S \* 6/1990 Bergman et al. .... D11/56  
5,390,510 A \* 2/1995 Trio-Cloonan ..... A44C 15/002  
132/294  
D407,635 S \* 4/1999 Fregeau ..... D9/629  
D411,443 S \* 6/1999 Bakic ..... D9/629

**1 Claim, 5 Drawing Sheets**



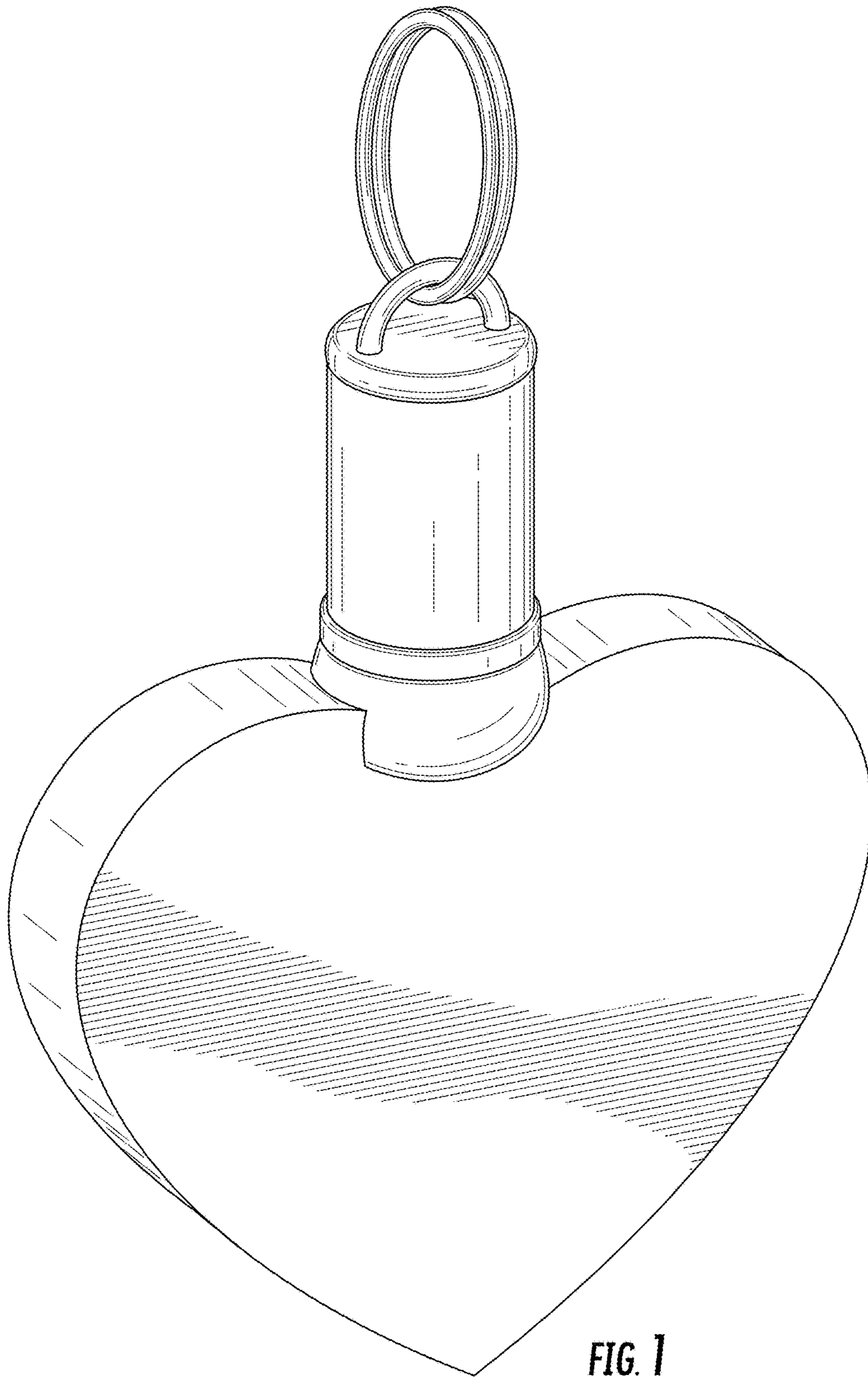


FIG. 1

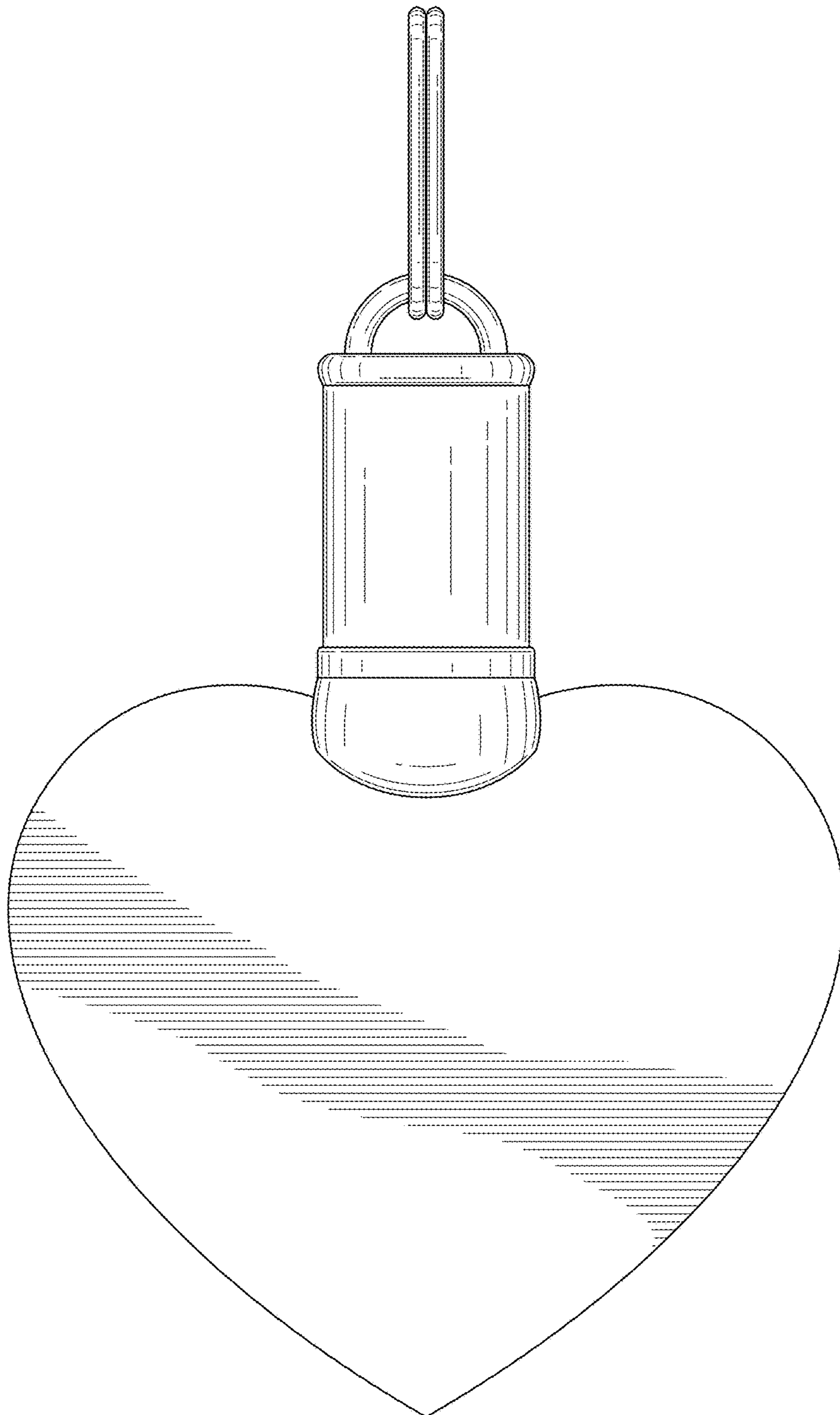


FIG. 2

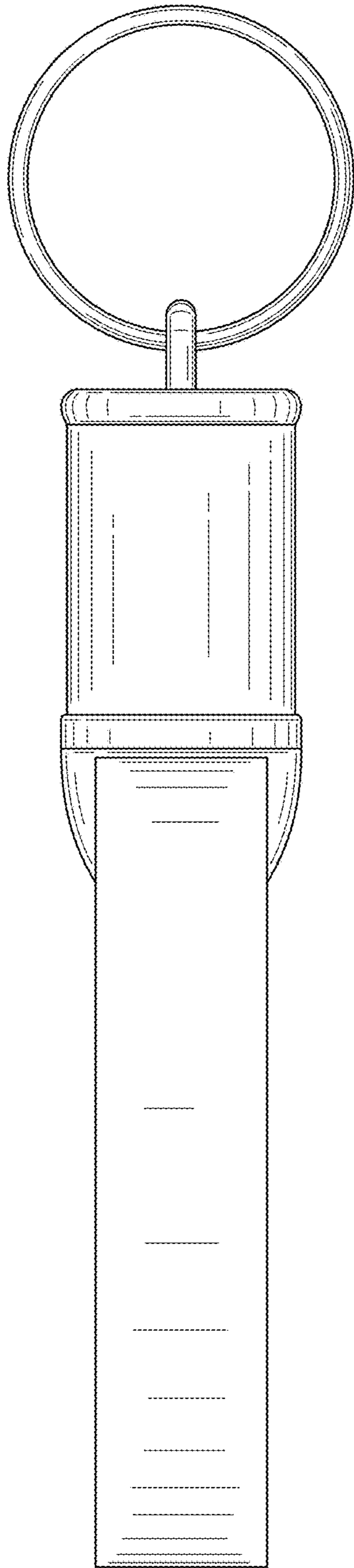
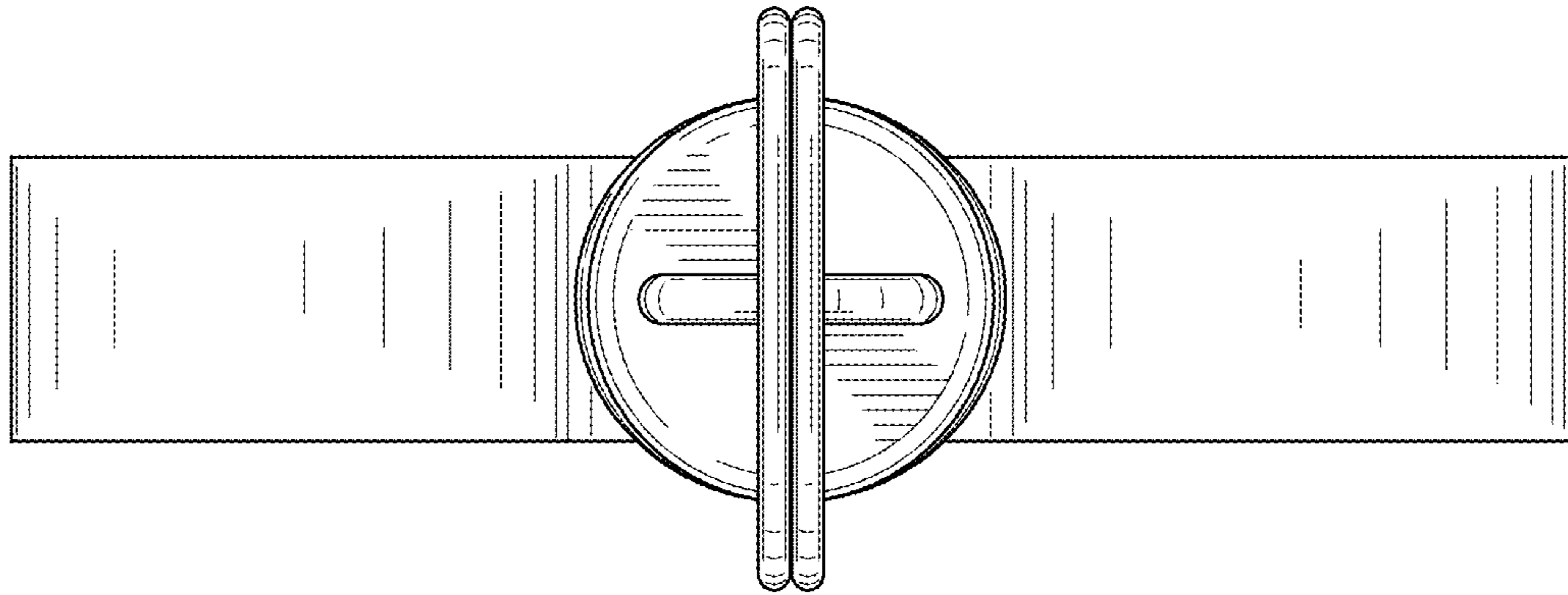
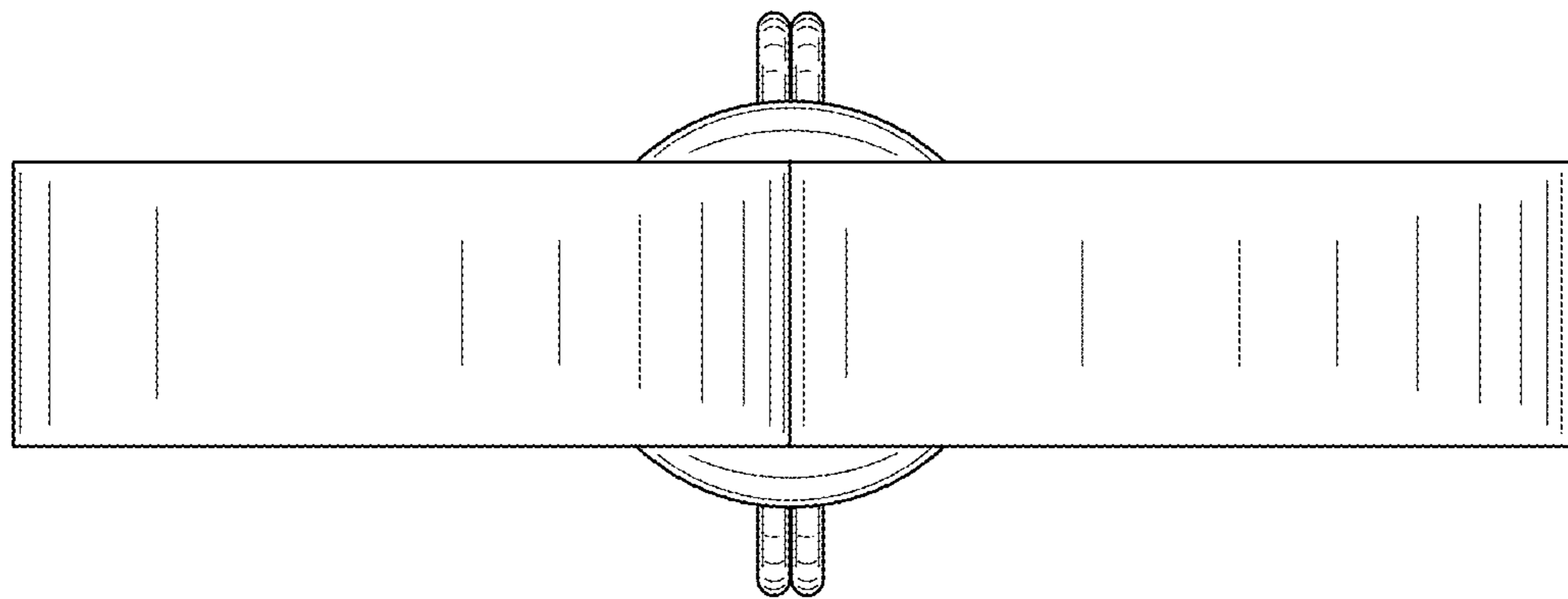


FIG. 3



**FIG. 4**



**FIG. 5**

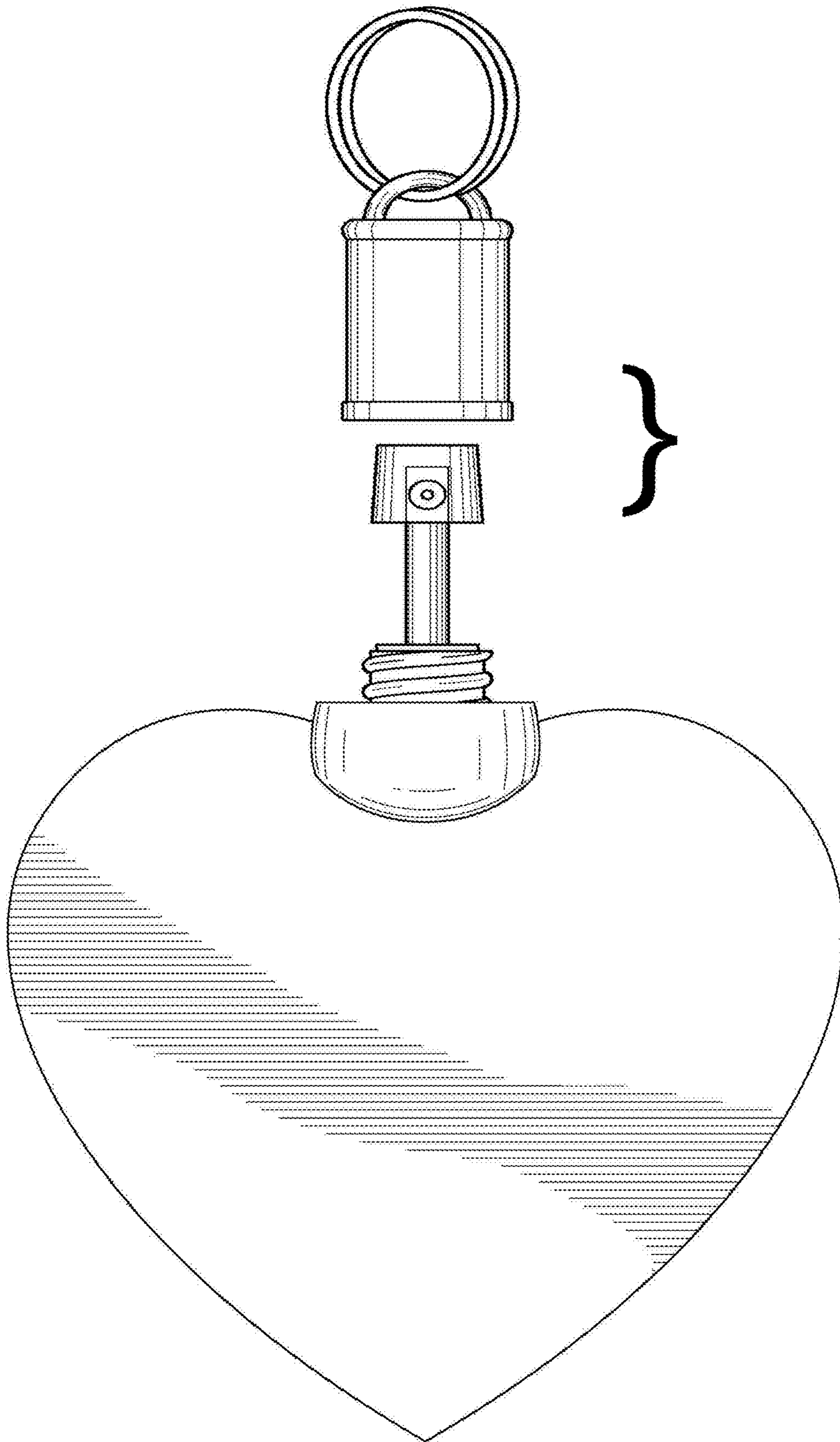


FIG 6