



US00D834305S

(12) **United States Design Patent** (10) **Patent No.:** **US D834,305 S**
Shelton (45) **Date of Patent:** **** Nov. 27, 2018**

(54) **COMBINATION KEY RING AND FRAGRANCE DISPENSER**
(71) Applicant: **Nicole Shelton**, Astoria, NY (US)
(72) Inventor: **Nicole Shelton**, Astoria, NY (US)
(**) Term: **15 Years**
(21) Appl. No.: **29/612,885**
(22) Filed: **Aug. 4, 2017**
(51) **LOC (11) Cl.** **03-01**
(52) **U.S. Cl.**
USPC **D3/208**; D9/521; D9/532
(58) **Field of Classification Search**
USPC D3/207–212; 70/456 B, 457, 458, 408,
70/456 R; D13/168; D8/347; D10/104;
D14/496; 206/37.1; D21/604, 605, 656,
D21/658, 659; 24/3.6; D11/11, 79, 81,
D11/82, 87; D9/544, 629, 682, 685, 689,
D9/692, 693, 694, 688
CPC H04B 1/034; F04B 15/00; E05B 19/04;
A44B 15/00; A44B 15/002; A44B
15/005; A44B 15/007
See application file for complete search history.

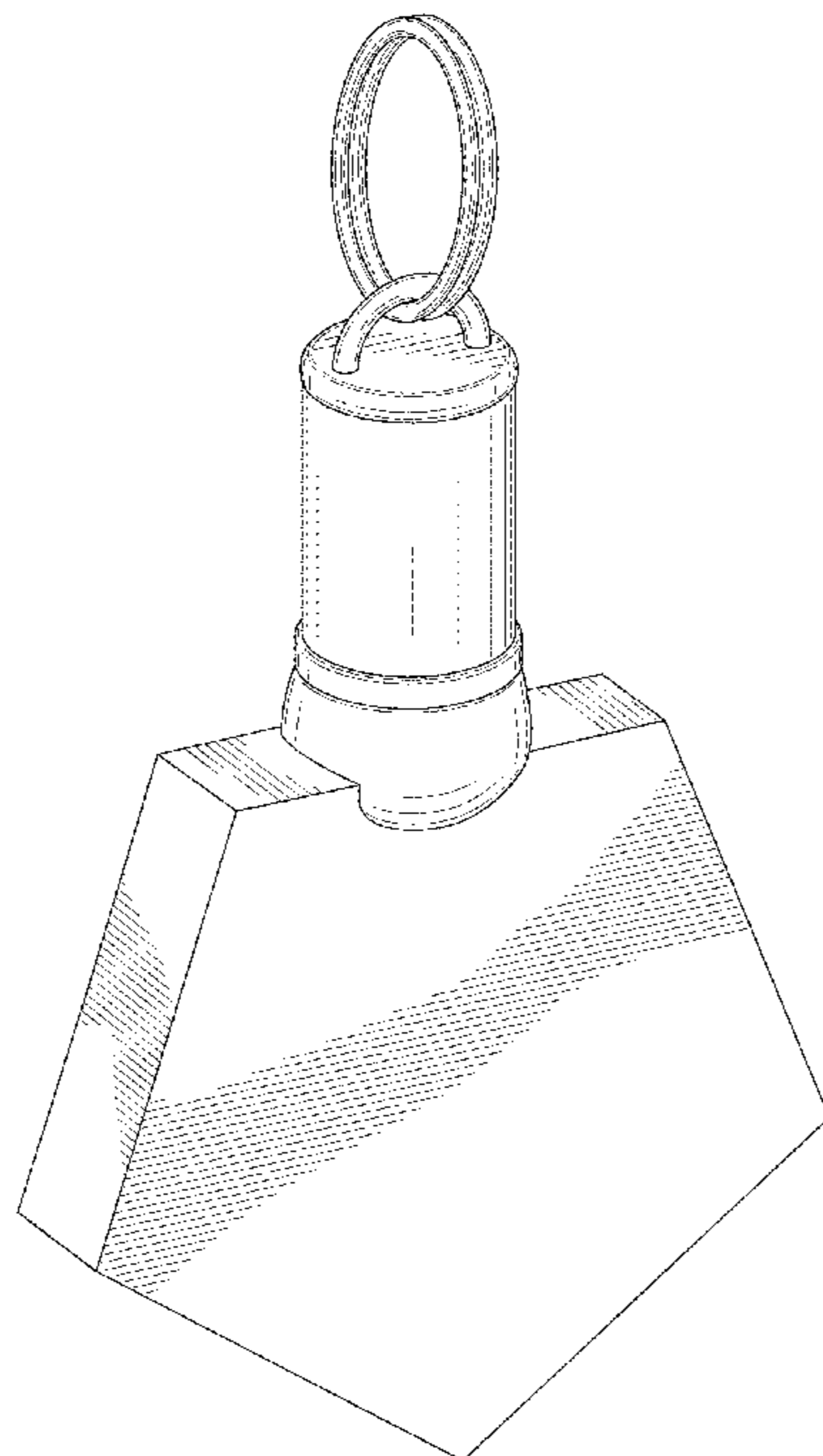
(56) **References Cited**
U.S. PATENT DOCUMENTS
D140,746 S * 4/1945 Flaster D9/622
D259,703 S * 6/1981 Llorente D9/516
D433,562 S * 11/2000 Redlinger D3/208
D472,149 S * 3/2003 Beals D3/208
D632,969 S * 2/2011 Monteparo D9/444
D646,888 S * 10/2011 Kieswetter D3/208
D653,956 S * 2/2012 Tauer D9/544

D783,268 S * 4/2017 Shelton D28/91.1
* cited by examiner
Primary Examiner — Ralf Seifert
(74) *Attorney, Agent, or Firm* — Matthew M. Googe;
Robinson IP Law, PLLC

(57) **CLAIM**
The ornamental design for a combination key ring and fragrance dispenser, as shown and described.

DESCRIPTION
FIG. 1 is a front, left perspective view of the combination key ring and fragrance dispenser showing my new design; FIG. 2 is a front elevational view thereof; FIG. 3 is a left side elevational view thereof, the right side being a mirror image thereof; FIG. 4 is a top view thereof; FIG. 5 is a bottom view thereof; FIG. 6 is a front view of the combination key ring and fragrance dispenser in an open configuration with the cap removed; FIG. 7 is a front, left perspective view of an embodiment of the combination key ring and fragrance dispenser; FIG. 8 is a front elevational view thereof; FIG. 9 is a left side elevational view thereof, the right side being a mirror image thereof; FIG. 10 is a top view thereof; and, FIG. 11 is a bottom view thereof.
The thin solid lines in the views have been provided for the purpose of illustrating the uniformity of the planar surfaces and the contour of the curved surfaces and are not a claimed surface pattern.

1 Claim, 9 Drawing Sheets



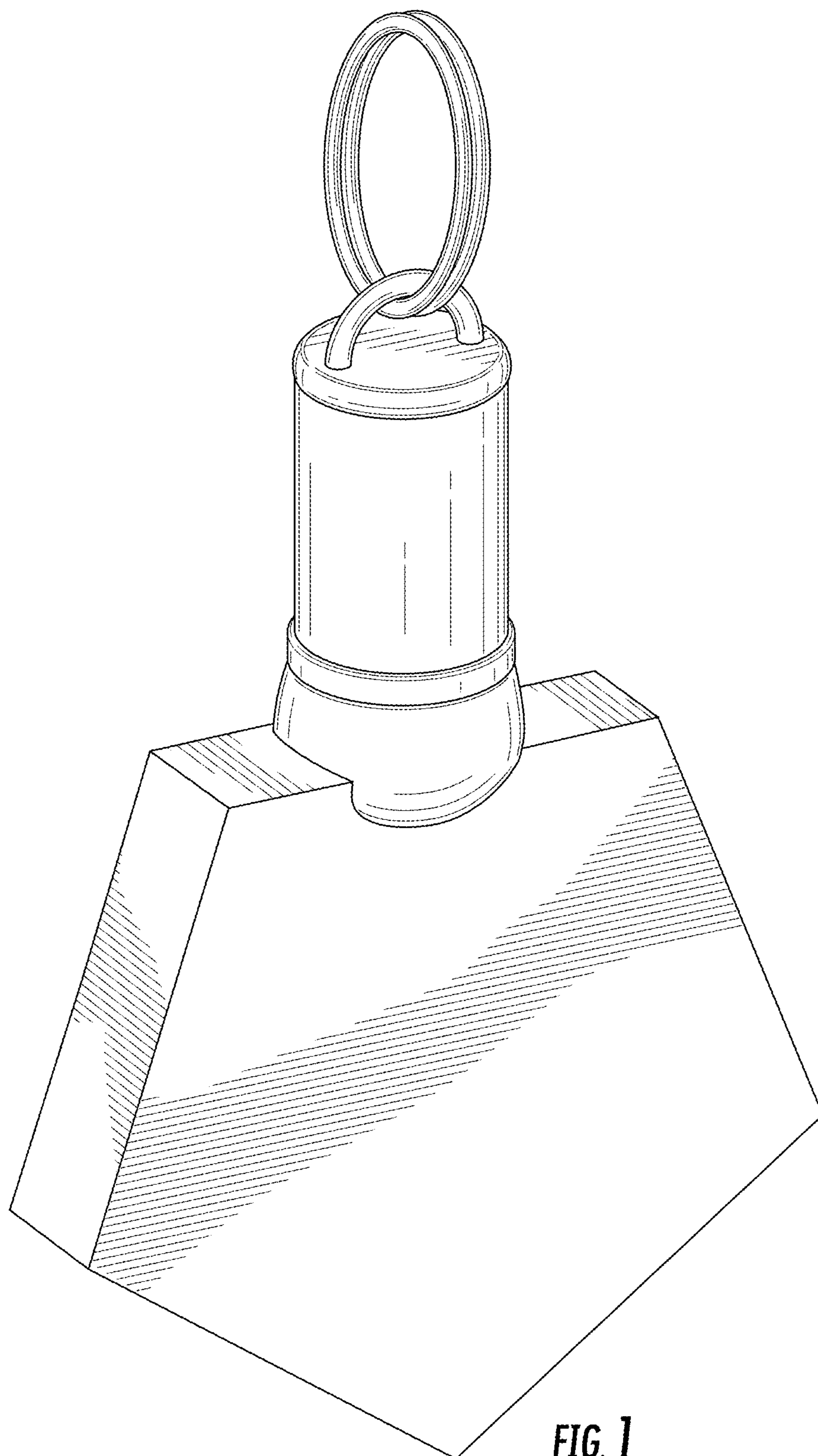


FIG. 1

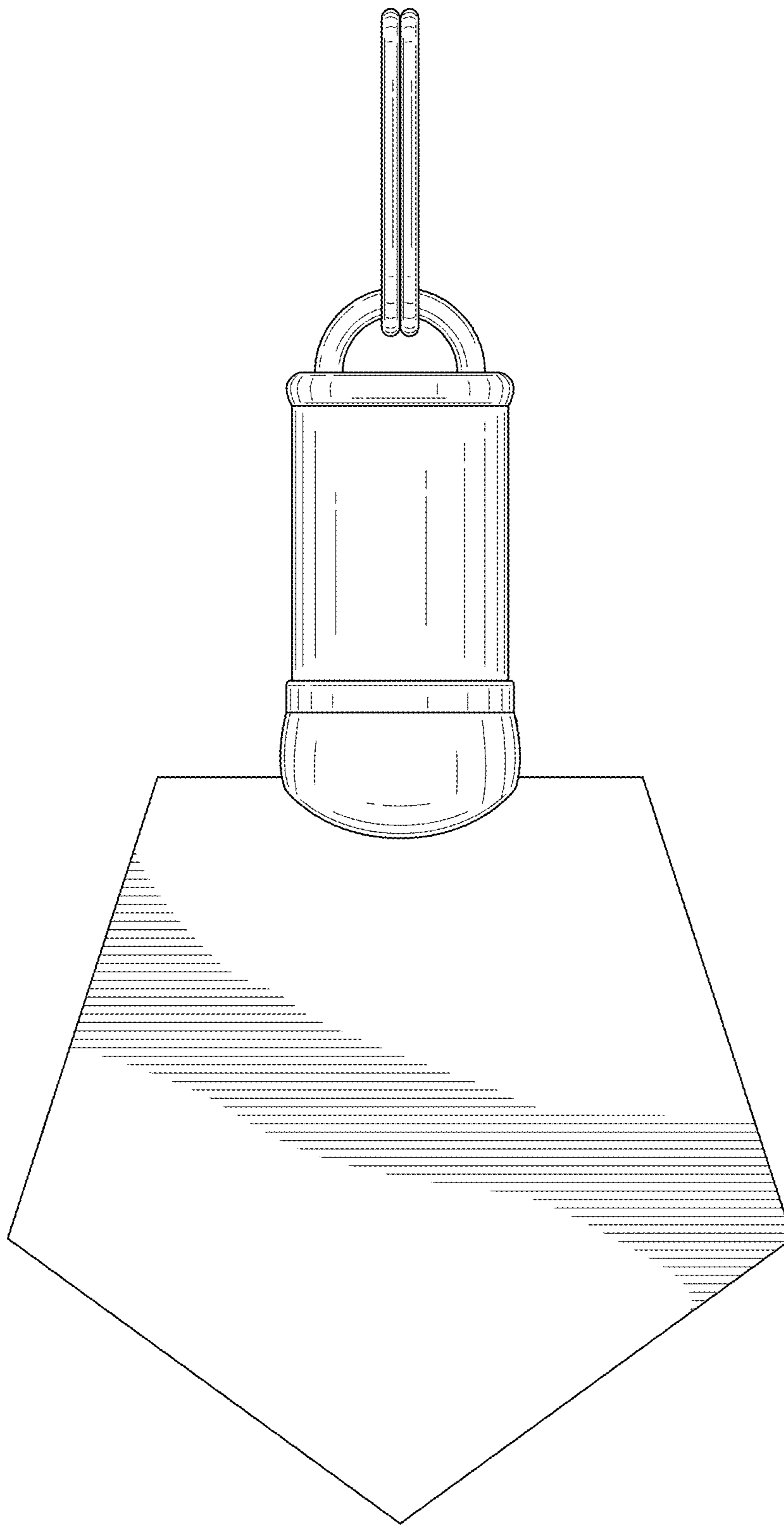


FIG. 2

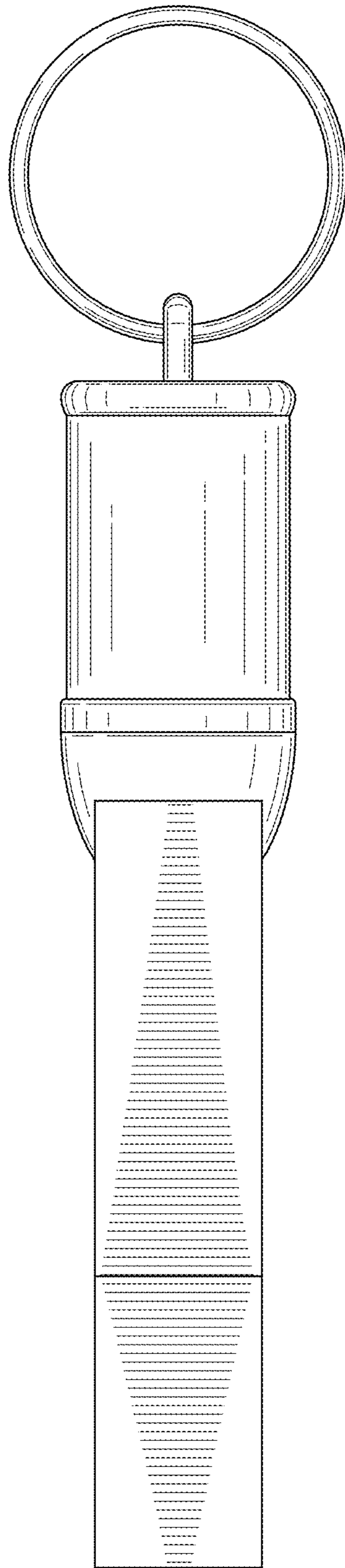


FIG 3

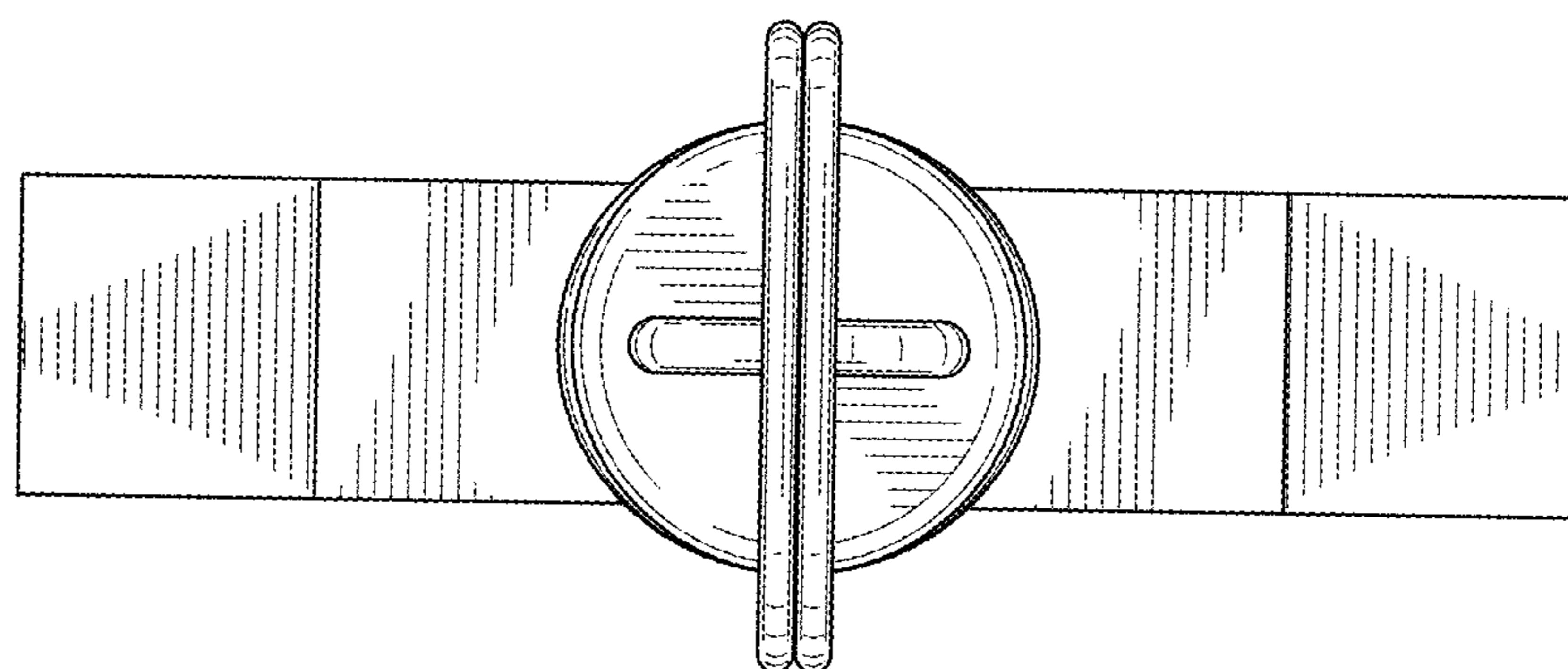


FIG. 4

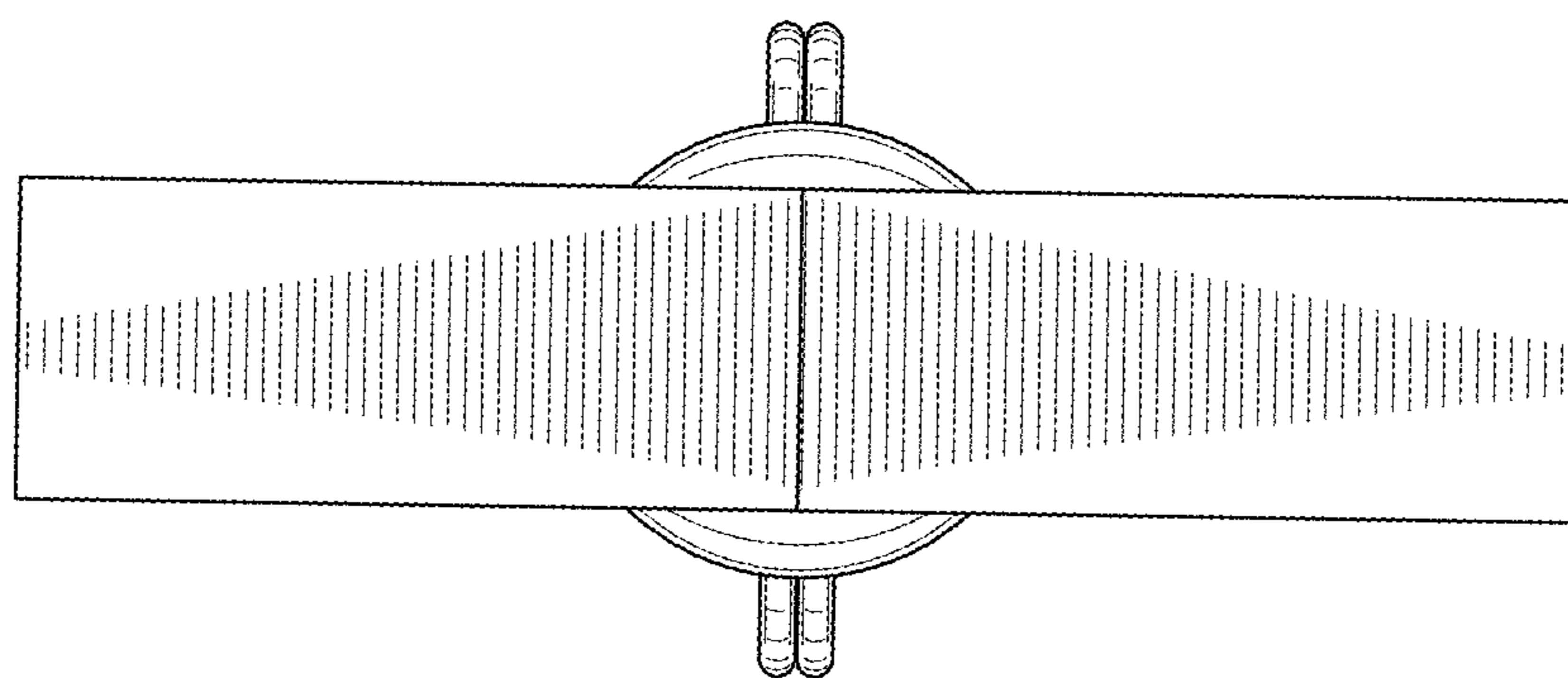


FIG. 5

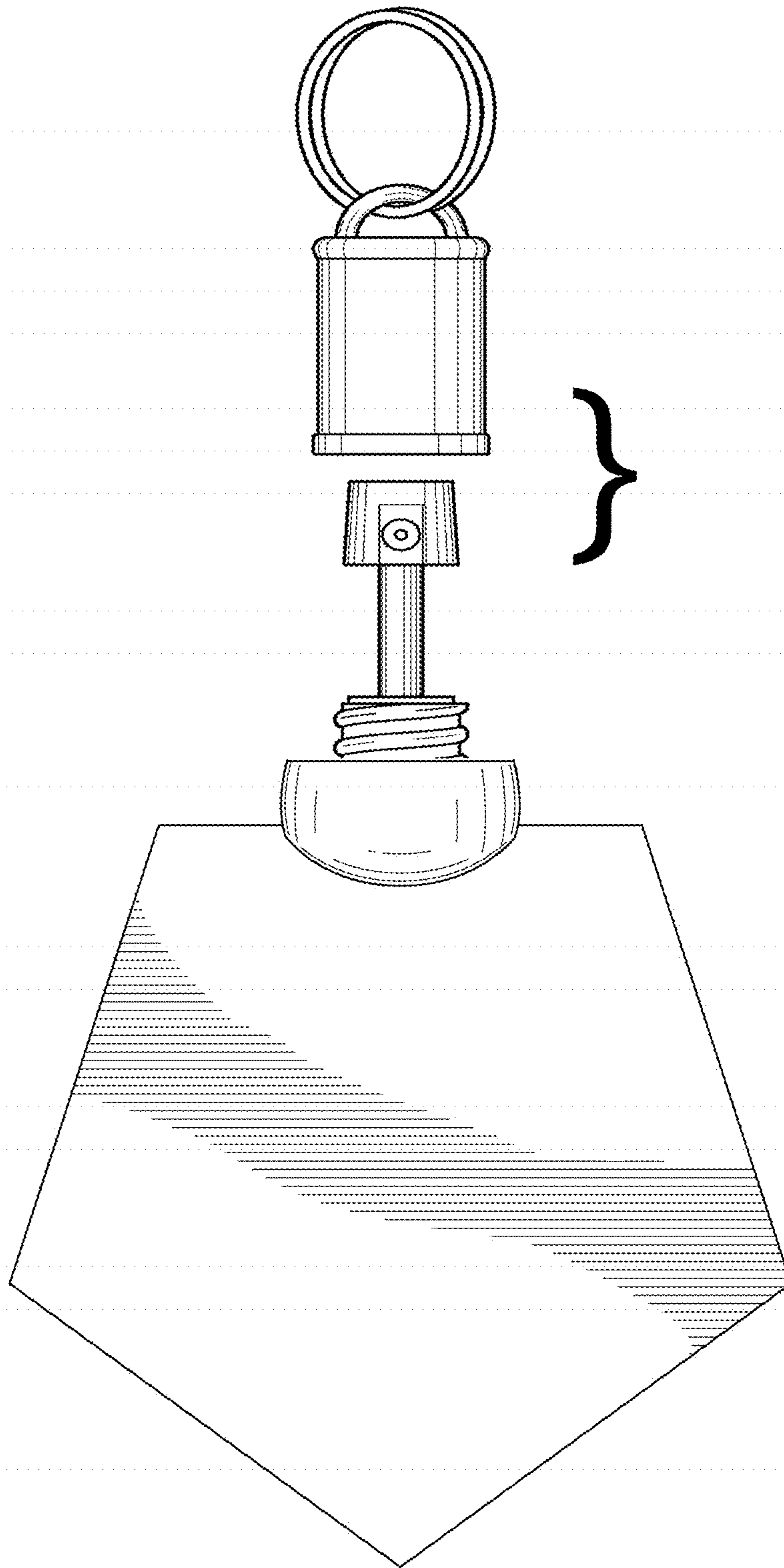


FIG 6

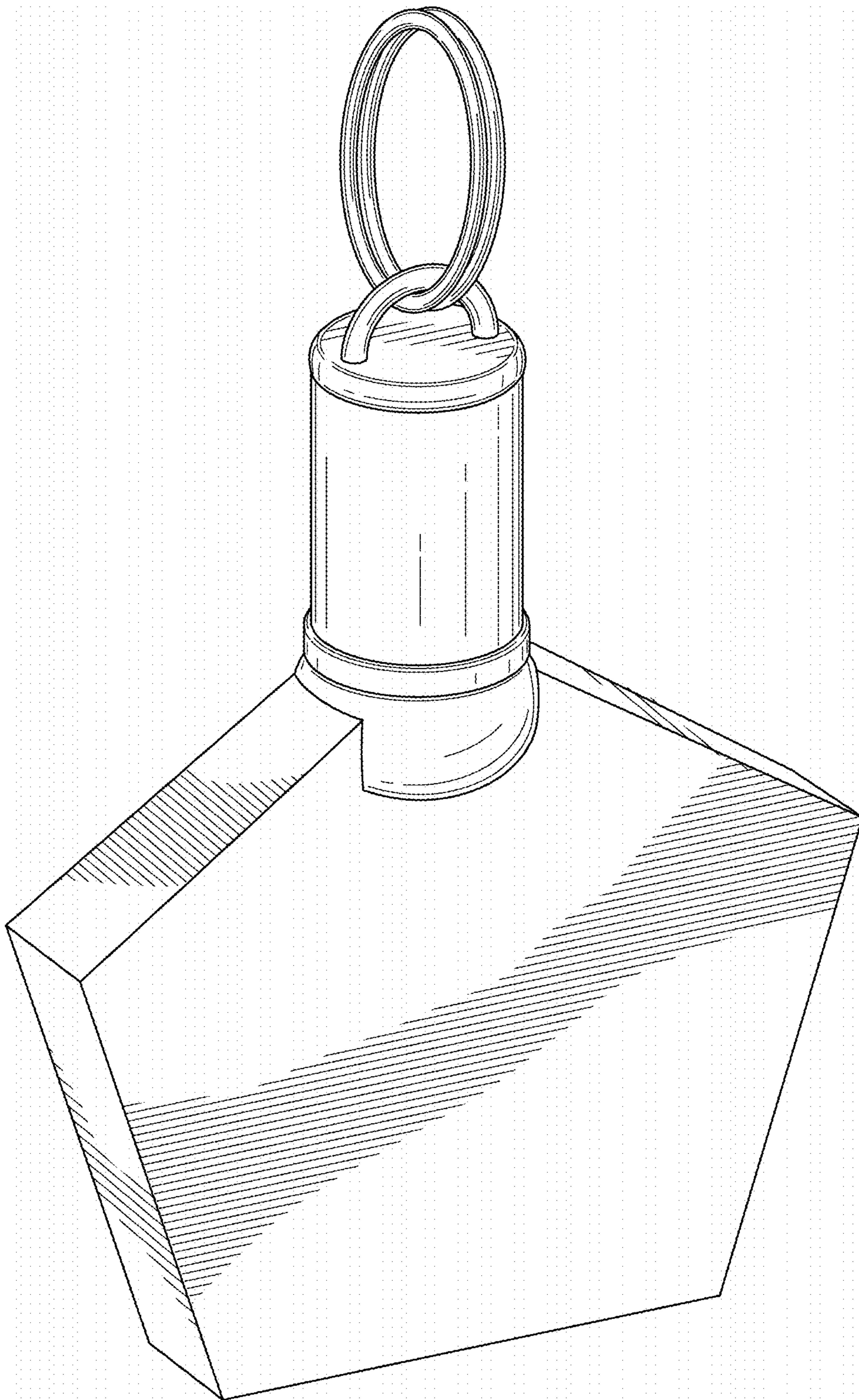


FIG. 7

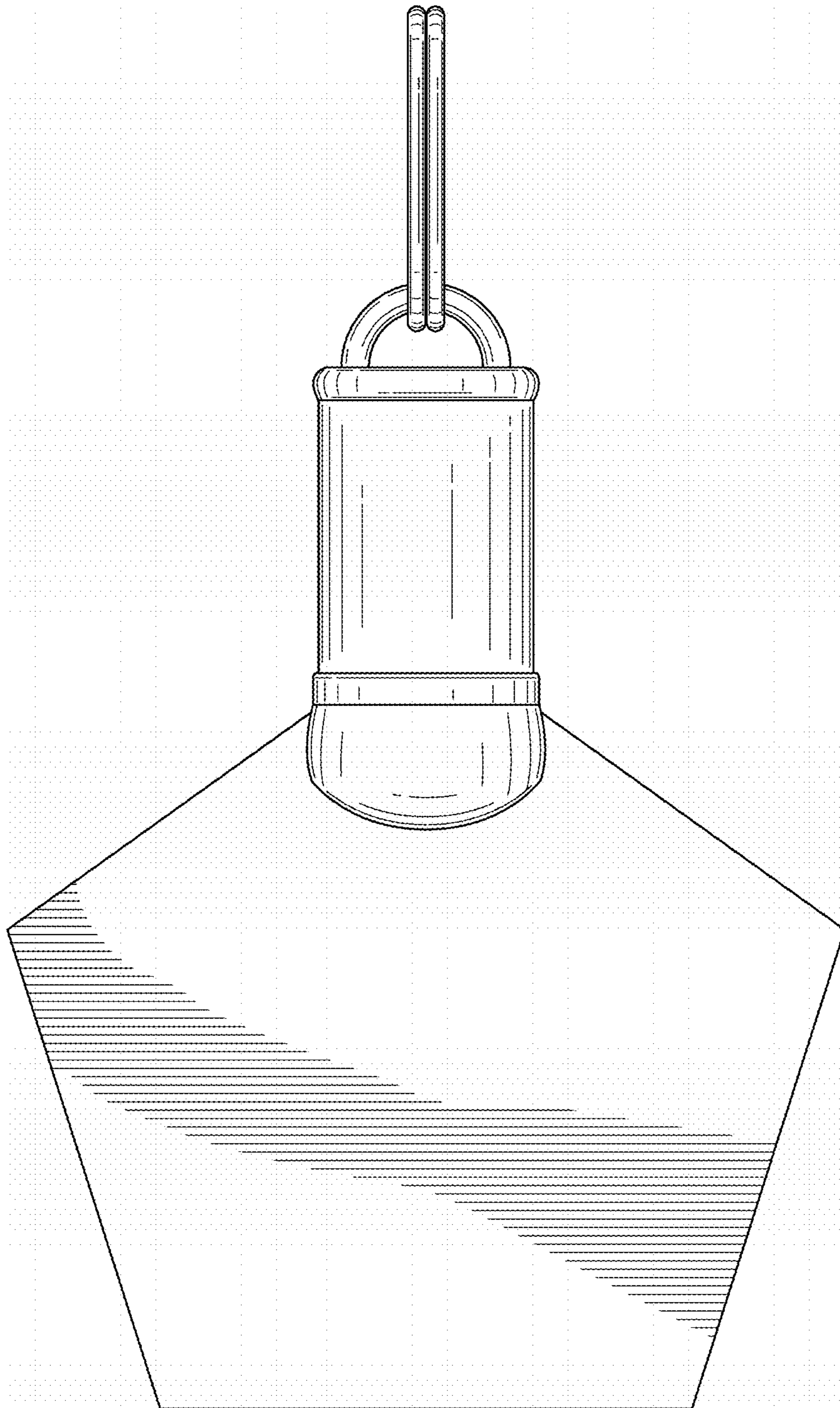


FIG 8

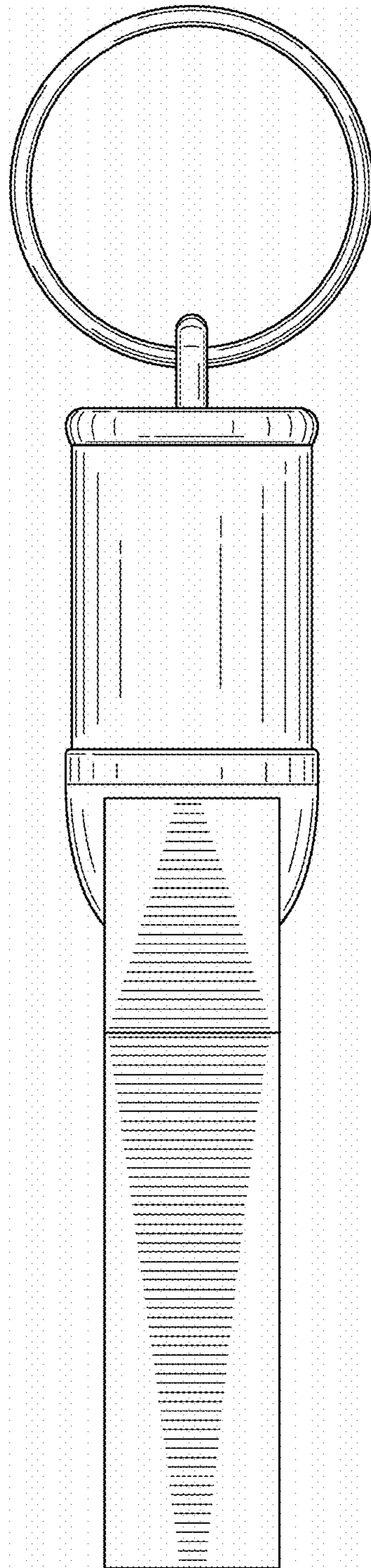


FIG. 9

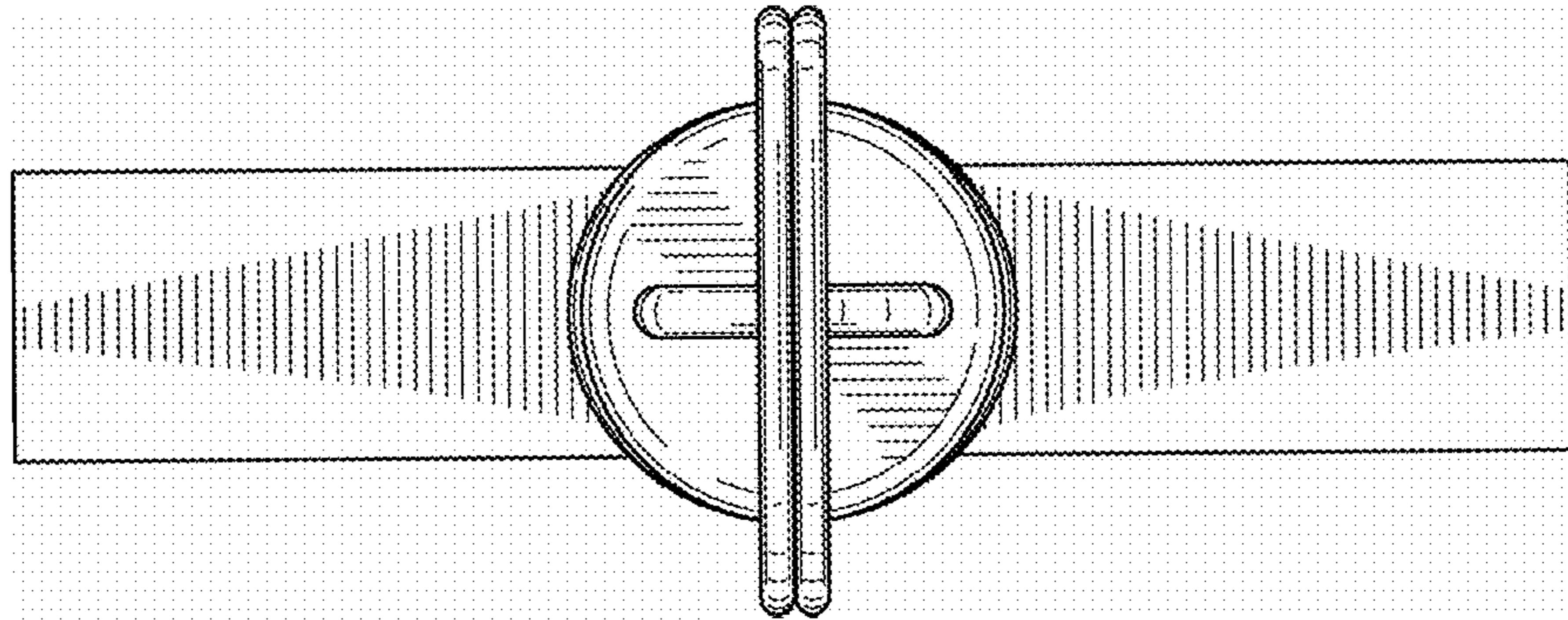


FIG. 10

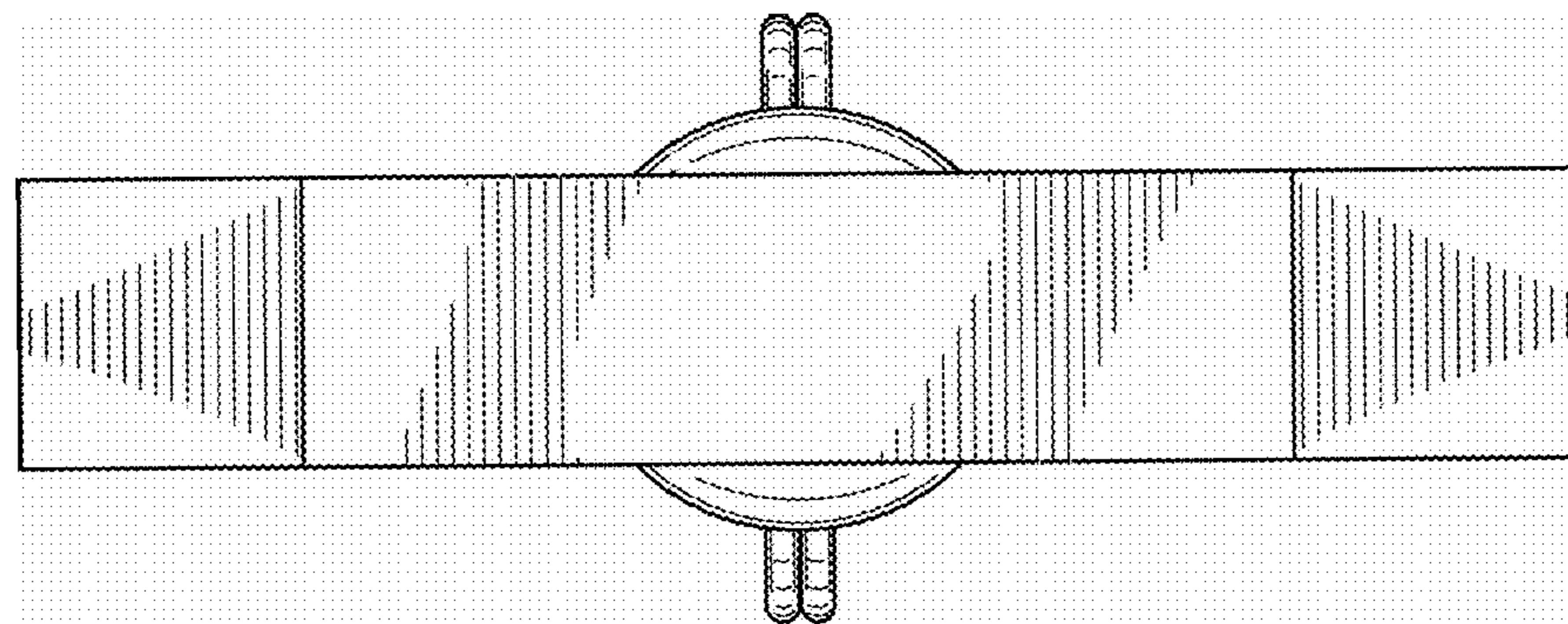


FIG. 11