



US00D834303S

(12) **United States Design Patent**  
**Paz**

(10) **Patent No.:** **US D834,303 S**

(45) **Date of Patent:** **\*\* Nov. 27, 2018**

(54) **MEDICATIONS DISPENSING APPARATUS**

(71) Applicant: **P.C.O.A. Devices Ltd.**, Tel Avv (IL)

(72) Inventor: **Ilan Paz**, Alon Shvut (IL)

(73) Assignee: **P.C.O.A. Devices Ltd.**, Tel Aviv (IL)

(\*\*) Term: **15 Years**

(21) Appl. No.: **29/563,037**

(22) Filed: **May 2, 2016**

(30) **Foreign Application Priority Data**

Nov. 2, 2015 (IL) ..... 57575

(51) **LOC (11) Cl.** ..... **03-01**

(52) **U.S. Cl.**  
USPC ..... **D3/203.1**

(58) **Field of Classification Search**  
USPC ..... D3/201, 203.1-203.4; D9/730, 731;  
D24/229  
CPC ... A61J 1/00; A61J 1/03; A61J 7/0076; B65D  
83/00; B65D 83/04; B65D 83/0481  
See application file for complete search history.

(56) **References Cited**

**U.S. PATENT DOCUMENTS**

D155,559 S *	10/1949	Tillmann et al.	.....	D3/203.2
D186,465 S *	10/1959	Tregilgas et al.	.....	D24/226
D187,052 S *	1/1960	Kellogg et al.	.....	D3/201
2,943,730 A *	7/1960	Tregilgas	.....	B65D 83/0454
				116/308
2,975,887 A *	3/1961	Weingart	.....	B65D 83/0454
				206/533
D190,142 S *	4/1961	Meshino et al.	.....	D3/203.2
D195,734 S *	7/1963	Beumann et al.	.....	D3/203.4
D198,542 S *	6/1964	Tapper et al.	.....	D3/203.4
3,227,127 A *	1/1966	Gayle	.....	A61J 7/04
				116/308

D210,316 S *	2/1968	Wolski et al.	.....	D24/224
D238,756 S *	2/1976	Swett et al.	.....	D28/78
4,432,300 A *	2/1984	Lyss	.....	A61J 7/04
				116/308
D277,419 S *	1/1985	Schefer	.....	D28/7
D298,512 S *	11/1988	Gotlib	.....	D3/203.4
D302,210 S *	7/1989	Johnson	.....	D3/273
D328,703 S *	8/1992	Klumpyan	.....	D3/203.4
5,150,788 A *	9/1992	Weissman	.....	A61C 3/04
				206/369
D333,401 S *	2/1993	Brown	.....	D24/145
D334,860 S *	4/1993	Brown	.....	D24/145
D342,671 S *	12/1993	Elliott	.....	D3/203.4
D343,319 S *	1/1994	Phillips	.....	D24/145
D348,219 S *	6/1994	Goldberg	.....	D3/203.4
5,361,908 A *	11/1994	Drew	.....	B65D 83/0481
				206/1.5

(Continued)

*Primary Examiner* — John Windmuller

*Assistant Examiner* — Steven J Czyz

(74) *Attorney, Agent, or Firm* — Woodard, Emhardt,  
Moriarty, McNett & Henry LLP

(57) **CLAIM**

The ornamental design for a medications dispensing apparatus, as shown and described.

**DESCRIPTION**

FIG. 1 is a top perspective view of a medications dispensing apparatus;

FIG. 2 is a bottom perspective view thereof;

FIG. 3 is a rotated perspective view thereof;

FIG. 4 is a front elevational view thereof;

FIG. 5 is a back elevational view thereof;

FIG. 6 is a left elevational view thereof;

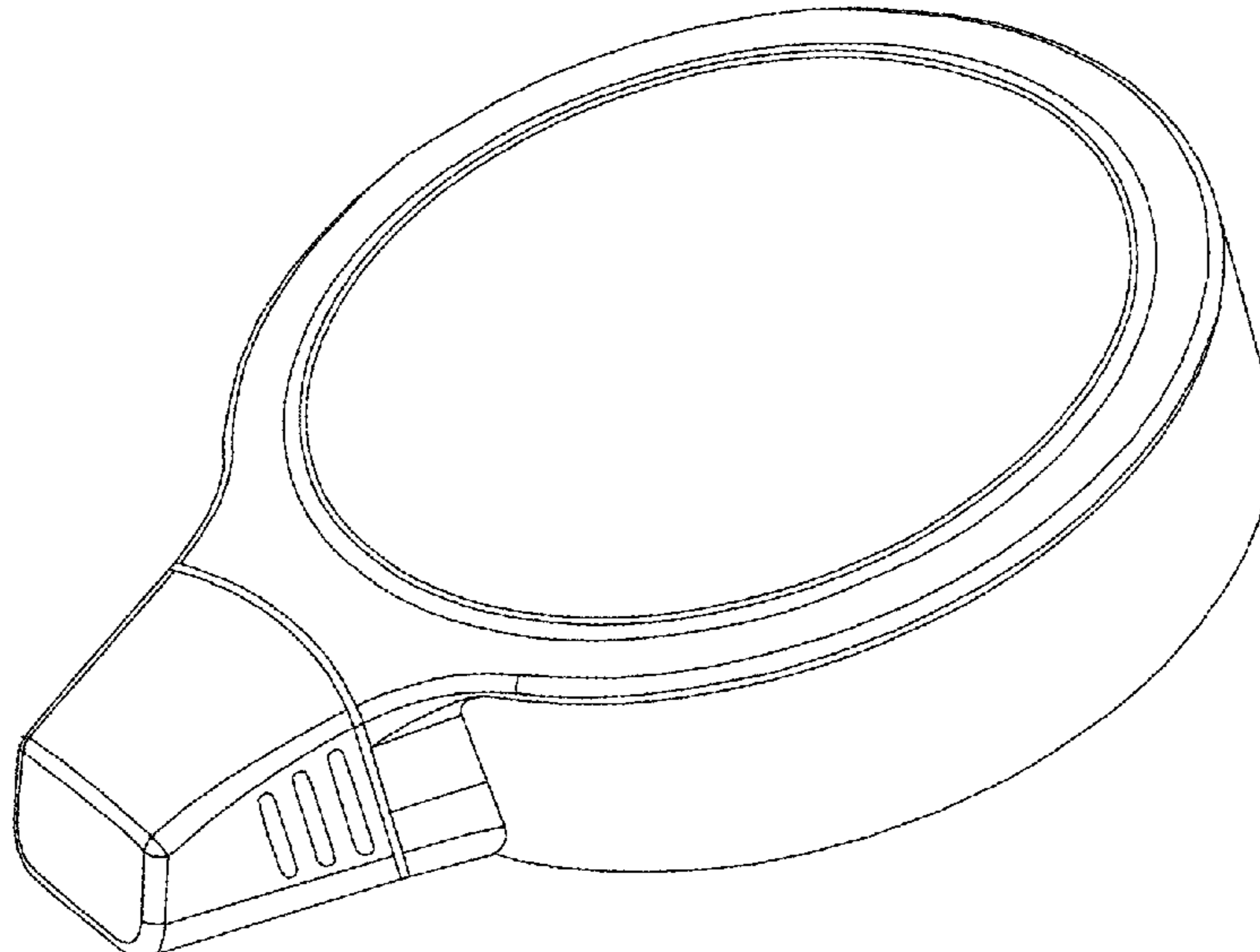
FIG. 7 is a right elevational view thereof;

FIG. 8 is a top plan view thereof; and,

FIG. 9 is a bottom plan view thereof.

The broken lines depict portions of the article that form no part of the claimed design.

**1 Claim, 7 Drawing Sheets**



(56)

References Cited

U.S. PATENT DOCUMENTS

D363,661 S \* 10/1995 Lambelet, Jr. .... D3/203.4  
 D372,863 S \* 8/1996 Gatewood ..... D3/203.2  
 D380,149 S \* 6/1997 Alexander ..... D3/203.4  
 D382,198 S \* 8/1997 Mulhauser ..... D3/203.4  
 D386,404 S \* 11/1997 Kirk, III ..... D3/203.4  
 D389,999 S \* 2/1998 Daigle ..... D3/201  
 D398,444 S \* 9/1998 Ricci ..... D3/203.2  
 D405,361 S \* 2/1999 Cameron ..... D9/731  
 5,921,395 A \* 7/1999 Alexander ..... B65D 83/0454  
 206/1.5  
 D423,925 S \* 5/2000 Finkelston ..... D9/731  
 D443,979 S \* 6/2001 Rijlaarsdam ..... D3/201  
 D451,666 S \* 12/2001 Zastrow ..... D3/203.3  
 D452,151 S \* 12/2001 Scott ..... D3/203.4  
 6,382,410 B1 \* 5/2002 Magid ..... B65D 43/18  
 206/38.1  
 D458,016 S \* 6/2002 Christianson ..... D3/203.4  
 D463,102 S \* 9/2002 Rosado ..... D3/203.3  
 D463,740 S \* 10/2002 Garran ..... D9/731  
 D473,786 S \* 4/2003 Chue ..... D3/203.4  
 D488,618 S \* 4/2004 Wekstein ..... D3/203.3  
 D490,307 S \* 5/2004 Hunger ..... D3/203.3  
 D490,308 S \* 5/2004 Hunger ..... D3/203.3  
 D501,310 S \* 2/2005 Smarte ..... D3/203.2  
 D502,801 S \* 3/2005 Baum ..... D3/203.3  
 D514,804 S \* 2/2006 Harvie ..... D3/203.4  
 D531,400 S \* 11/2006 Hornsby ..... D3/203.4  
 D547,940 S \* 8/2007 Sandy ..... D3/203.2  
 D548,109 S \* 8/2007 Rust ..... D9/731  
 D563,095 S \* 3/2008 Sabbag ..... D3/203.3  
 D570,595 S \* 6/2008 Chue ..... D3/203.3  
 D580,275 S \* 11/2008 Burrowes ..... D9/731  
 D600,441 S \* 9/2009 Estrada ..... D3/203.3  
 D610,796 S \* 3/2010 Siegel ..... D3/203.2  
 D621,603 S \* 8/2010 Traylor ..... D3/203.2

D626,432 S \* 11/2010 Luciano ..... D9/731  
 D626,433 S \* 11/2010 Luciano ..... D9/731  
 D641,970 S \* 7/2011 Xu ..... D3/203.2  
 D642,481 S \* 8/2011 Proksch ..... D9/731  
 D645,657 S \* 9/2011 Portney ..... D3/203.2  
 8,100,291 B2 \* 1/2012 Dikken ..... G07F 11/52  
 221/113  
 D663,113 S \* 7/2012 Simms ..... D3/203.3  
 D681,936 S \* 5/2013 Basas ..... D3/203.2  
 D689,689 S \* 9/2013 Magno ..... D3/203.2  
 D707,039 S \* 6/2014 Zerlin ..... D3/203.2  
 D707,567 S \* 6/2014 Callaghan ..... D9/730  
 D708,434 S \* 7/2014 Deeb ..... D3/203.3  
 D717,038 S \* 11/2014 Lee ..... D3/203.3  
 D720,525 S \* 1/2015 Magno ..... D3/203.2  
 D746,046 S \* 12/2015 Lee ..... D3/203.3  
 D746,058 S \* 12/2015 Serell ..... D3/203.1  
 D747,606 S \* 1/2016 Serell ..... D3/203.2  
 D757,274 S \* 5/2016 Gelb ..... D24/176  
 D785,314 S \* 5/2017 Noble ..... D3/203.2  
 D805,294 S \* 12/2017 Edwards ..... D3/203.2  
 D806,380 S \* 1/2018 Hines ..... D3/203.2  
 2003/0057230 A1 \* 3/2003 Stevens ..... B65B 5/103  
 221/200  
 2004/0099561 A1 \* 5/2004 Christensen ..... B65D 83/0454  
 206/461  
 2006/0163267 A1 \* 7/2006 Lapsker ..... G07F 11/54  
 221/2  
 2007/0012712 A1 \* 1/2007 Syiau ..... A61J 7/0481  
 221/2  
 2010/0147867 A1 \* 6/2010 Villegas Estrada .... B65D 50/04  
 221/87  
 2013/0327789 A1 \* 12/2013 Foshee ..... A61J 7/0076  
 222/95  
 2015/0028050 A1 \* 1/2015 Huang ..... B25J 15/0616  
 221/211

\* cited by examiner

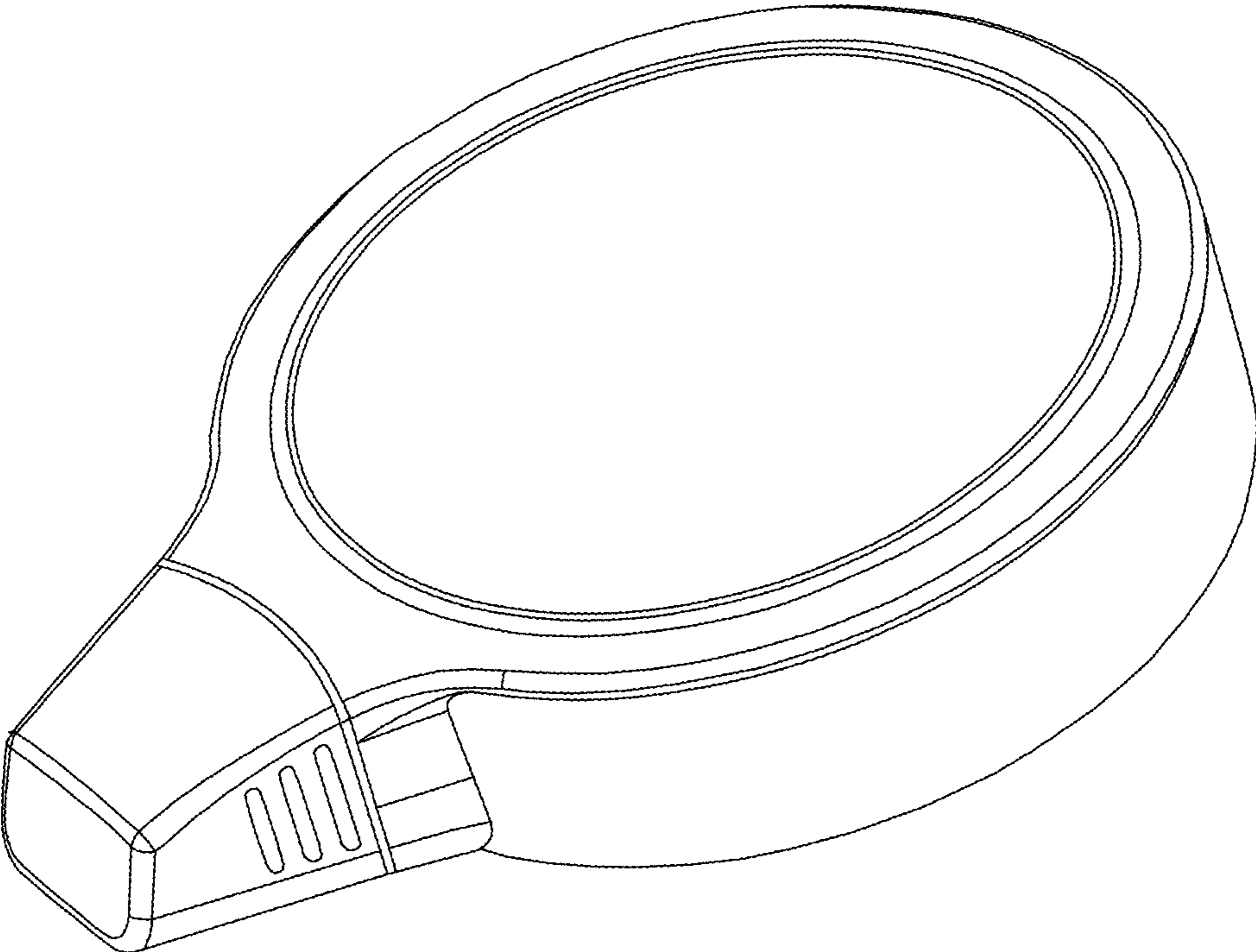


Fig. 1

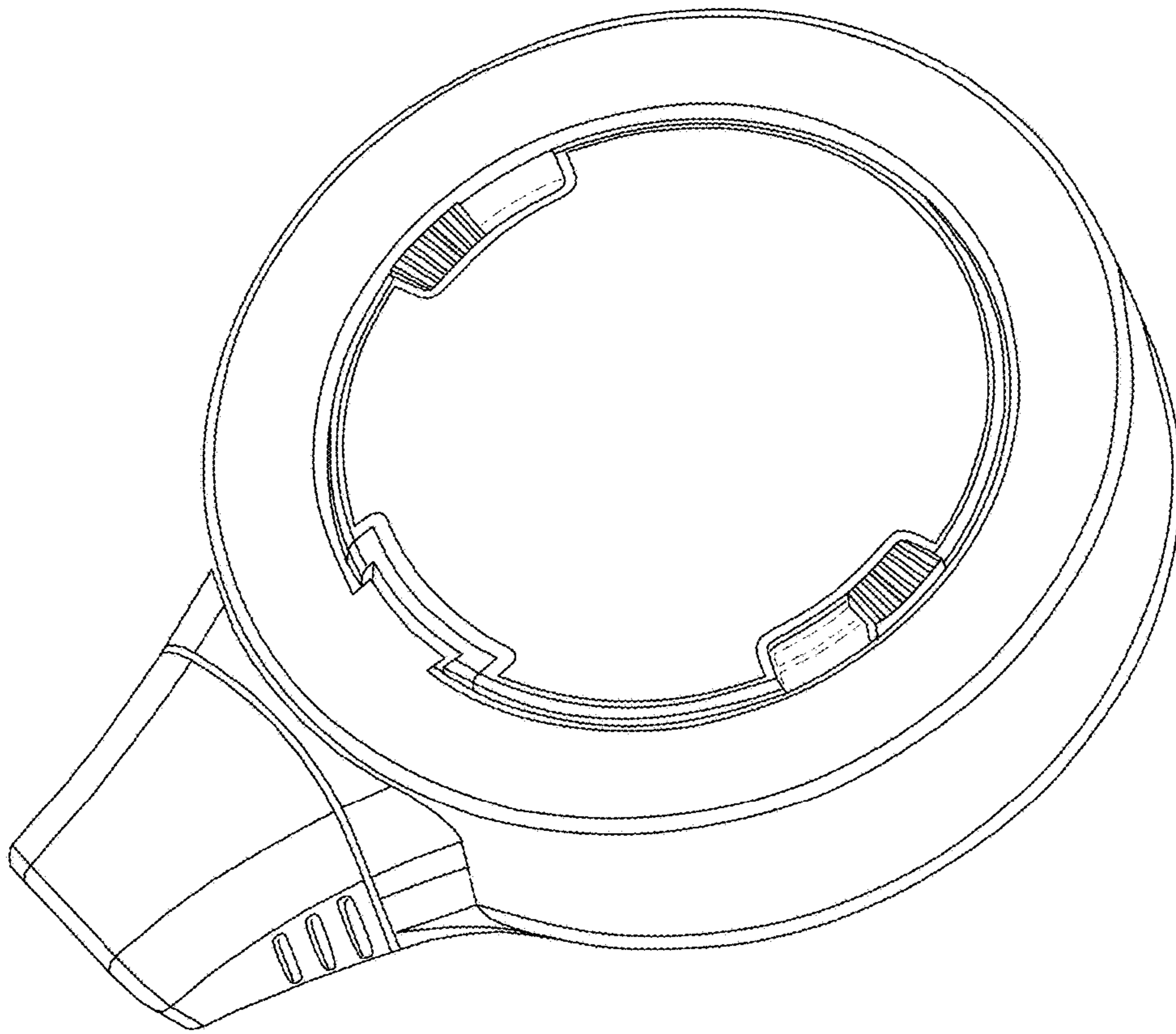


Fig. 2

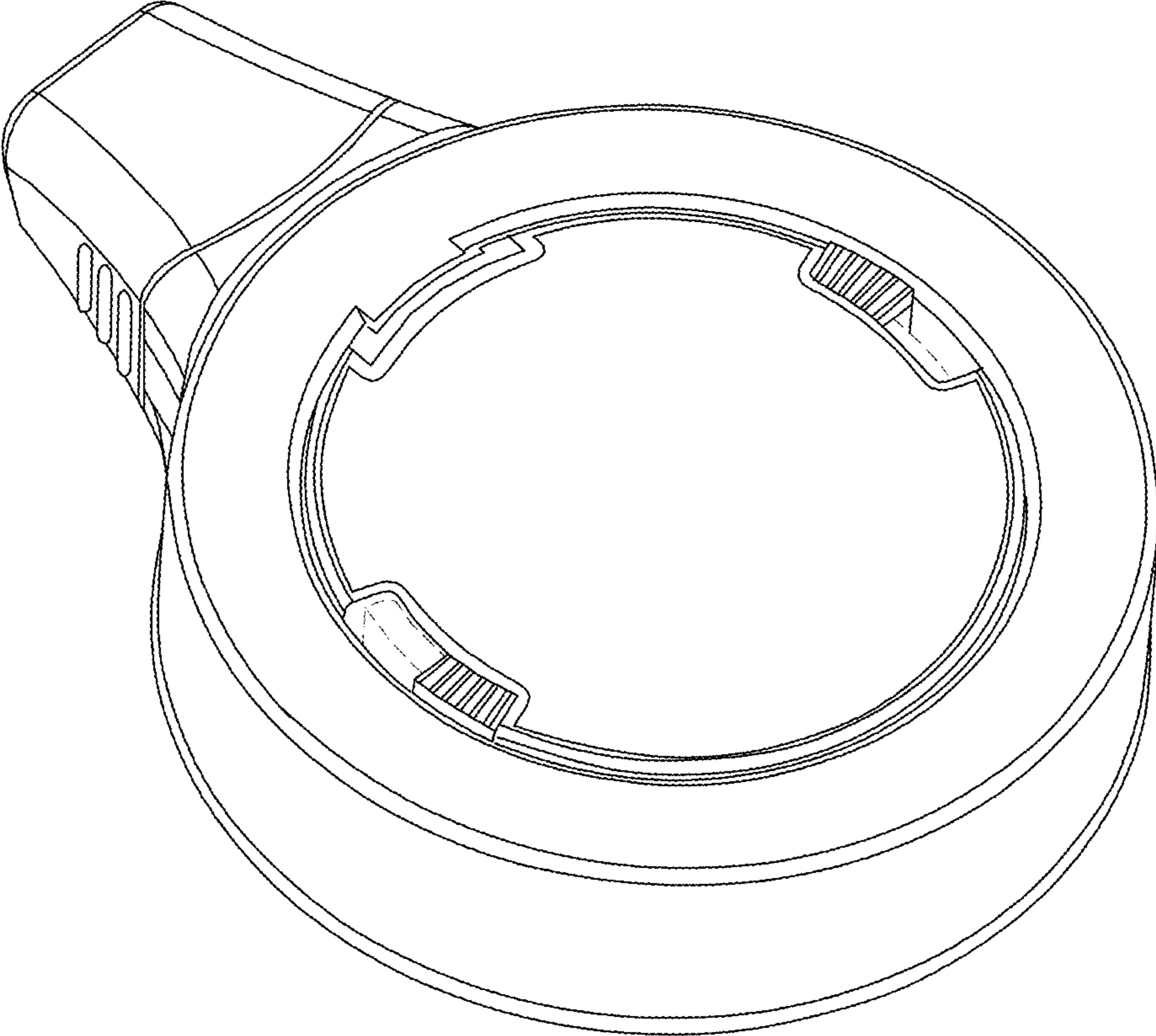


Fig. 3

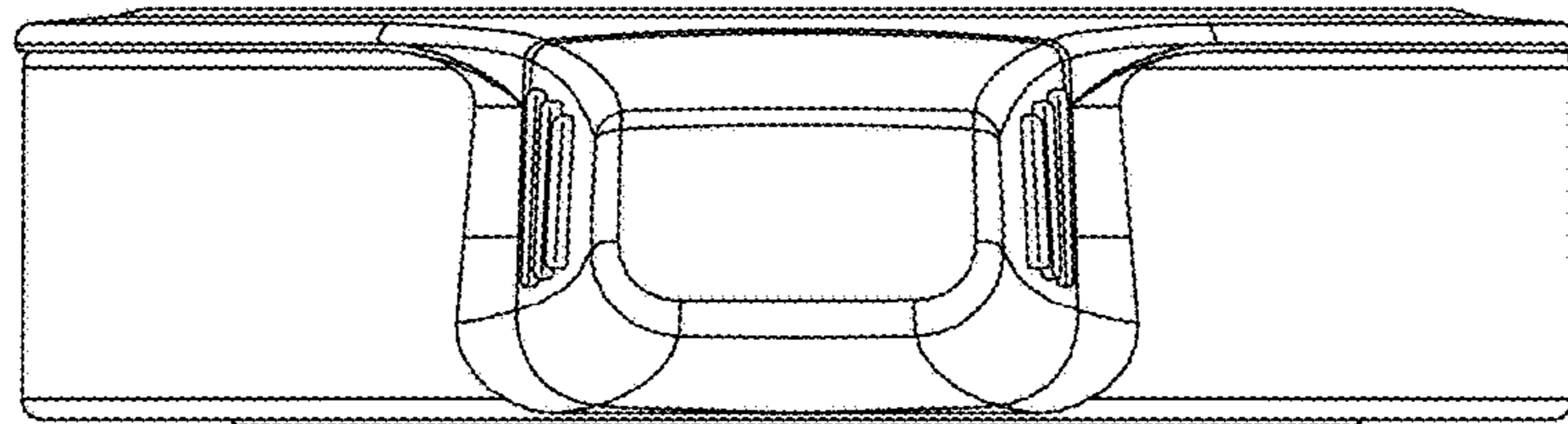


Fig. 4

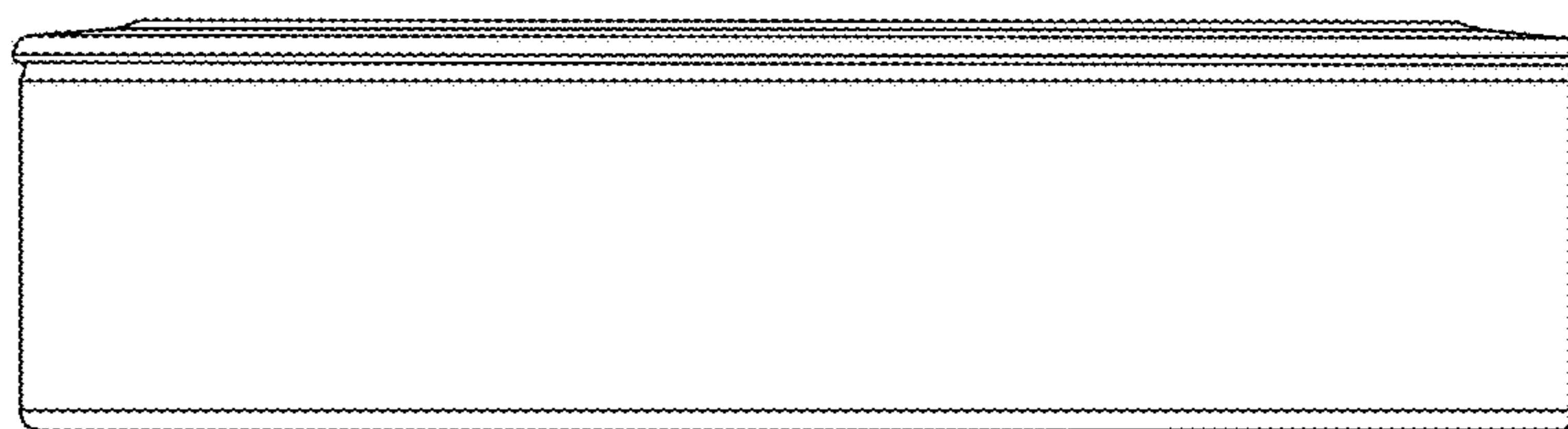


Fig. 5

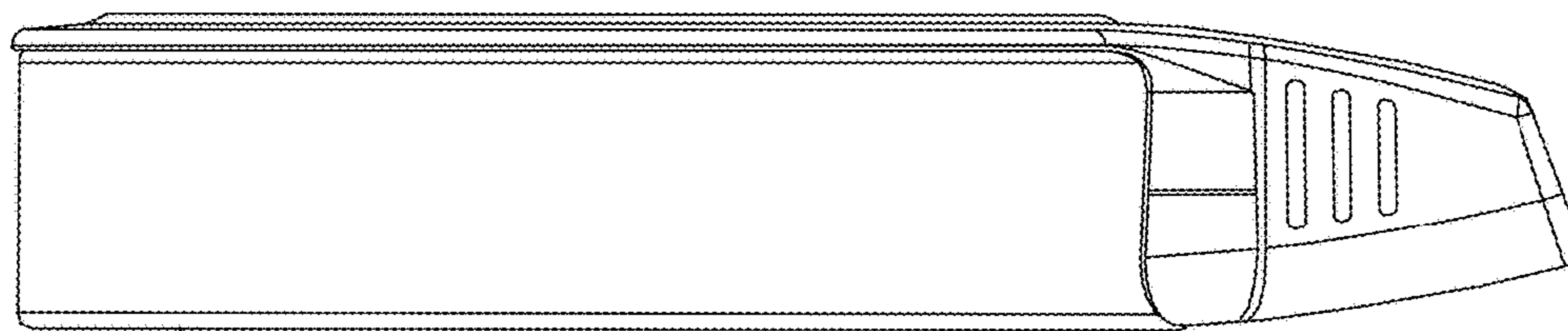


Fig. 6

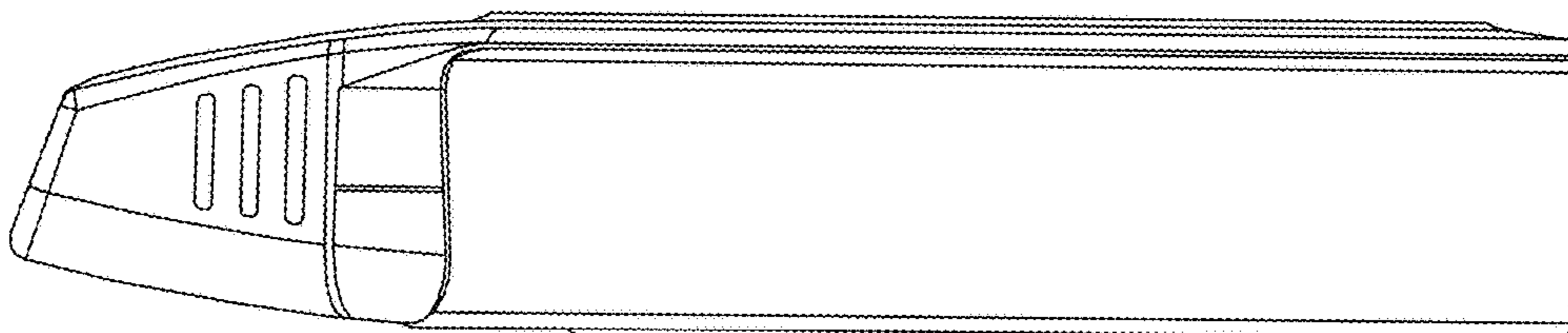


Fig. 7

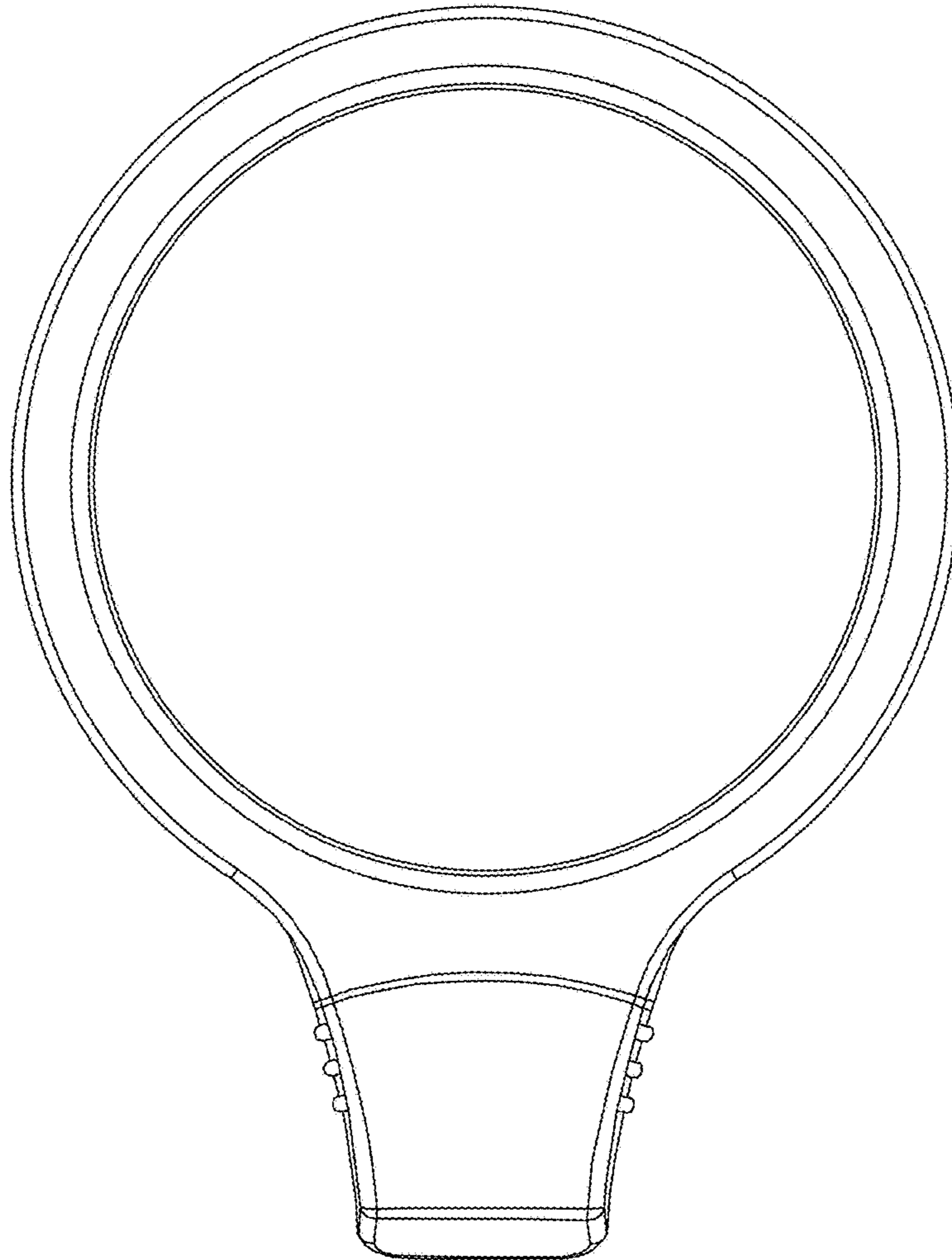


Fig. 8



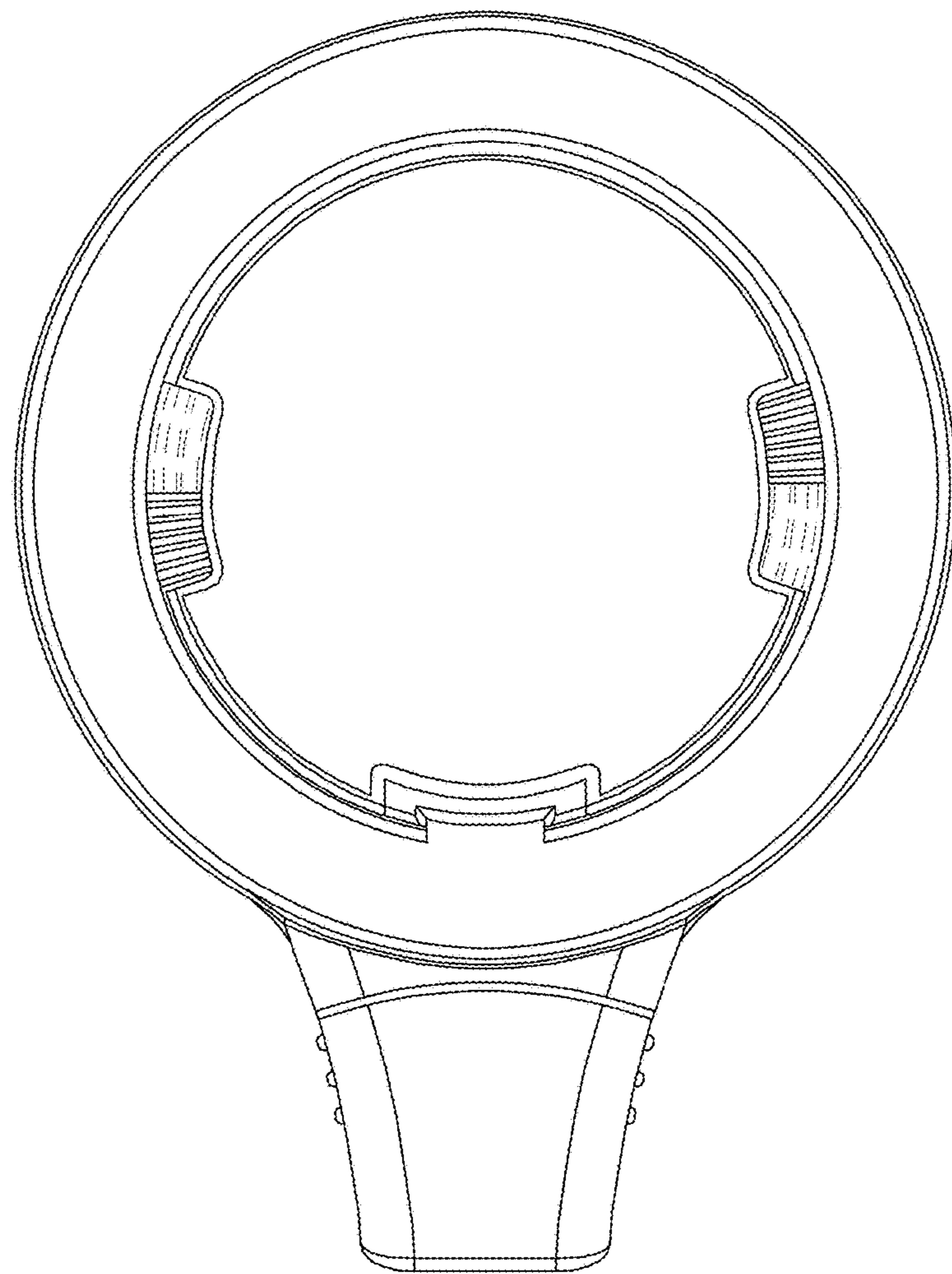


Fig. 9