



US00D834302S

(12) **United States Design Patent** (10) **Patent No.:** **US D834,302 S**
Paz (45) **Date of Patent:** **** Nov. 27, 2018**

(54) **MEDICATIONS DISPENSING APPARATUS**

(71) Applicant: **P.C.O.A. Devices Ltd.**, Tel Aviv (IL)

(72) Inventor: **Ilan Paz**, Alon Shvut (IL)

(73) Assignee: **P.C.O.A. Devices Ltd.**, Tel Aviv (IL)

(**) Term: **15 Years**

(21) Appl. No.: **29/563,034**

(22) Filed: **May 2, 2016**

(30) **Foreign Application Priority Data**

Nov. 2, 2015 (IL) 57574

(51) **LOC (11) Cl.** **03-01**

(52) **U.S. Cl.**
USPC **D3/203.1**

(58) **Field of Classification Search**
USPC D3/201, 203.1-203.4; D9/730, 731;
D24/229
CPC ... A61J 1/03; A61J 1/00; A61J 7/0076; B65D
83/00; B65D 83/04; B65D 83/0481
See application file for complete search history.

(56) **References Cited**

U.S. PATENT DOCUMENTS

D155,559 S *	10/1949	Tillmann et al.	D3/203.2
D186,465 S *	10/1959	Tregilgas et al.	D24/226
D187,052 S *	1/1960	Kellogg et al.	D3/201
2,943,730 A *	7/1960	Tregilgas	B65D 83/0454 116/308
2,975,887 A *	3/1961	Weingart	B65D 83/0454 206/533
D190,142 S *	4/1961	Meshino et al.	D3/203.2
D195,734 S *	7/1963	Beumann et al.	D3/203.4
D198,542 S *	6/1964	Tapper et al.	D3/203.4
3,227,127 A *	1/1966	Gayle	A61J 7/04 116/308

D210,316 S *	2/1968	Wolski et al.	D24/224
D238,756 S *	2/1976	Swett et al.	D28/78
4,432,300 A *	2/1984	Lyss	A61J 7/04 116/308
D277,419 S *	1/1985	Schefer	D28/7
D298,512 S *	11/1988	Gotlib	D3/203.4
D302,210 S *	7/1989	Johnson	D3/273
D328,703 S *	8/1992	Klumpyan	D3/203.4
5,150,788 A *	9/1992	Weissman	A61C 3/04 206/369
D333,401 S *	2/1993	Brown	D24/145
D334,860 S *	4/1993	Brown	D24/145
D342,671 S *	12/1993	Elliott	D3/203.4
D343,319 S *	1/1994	Phillips	D24/145
D348,219 S *	6/1994	Goldberg	D3/203.4
5,361,908 A *	11/1994	Drew	B65D 83/0481 206/1.5

(Continued)

Primary Examiner — John Windmuller

Assistant Examiner — Steven J Czyz

(74) *Attorney, Agent, or Firm* — Woodard, Emhardt,
Moriarty, McNett & Henry LLP

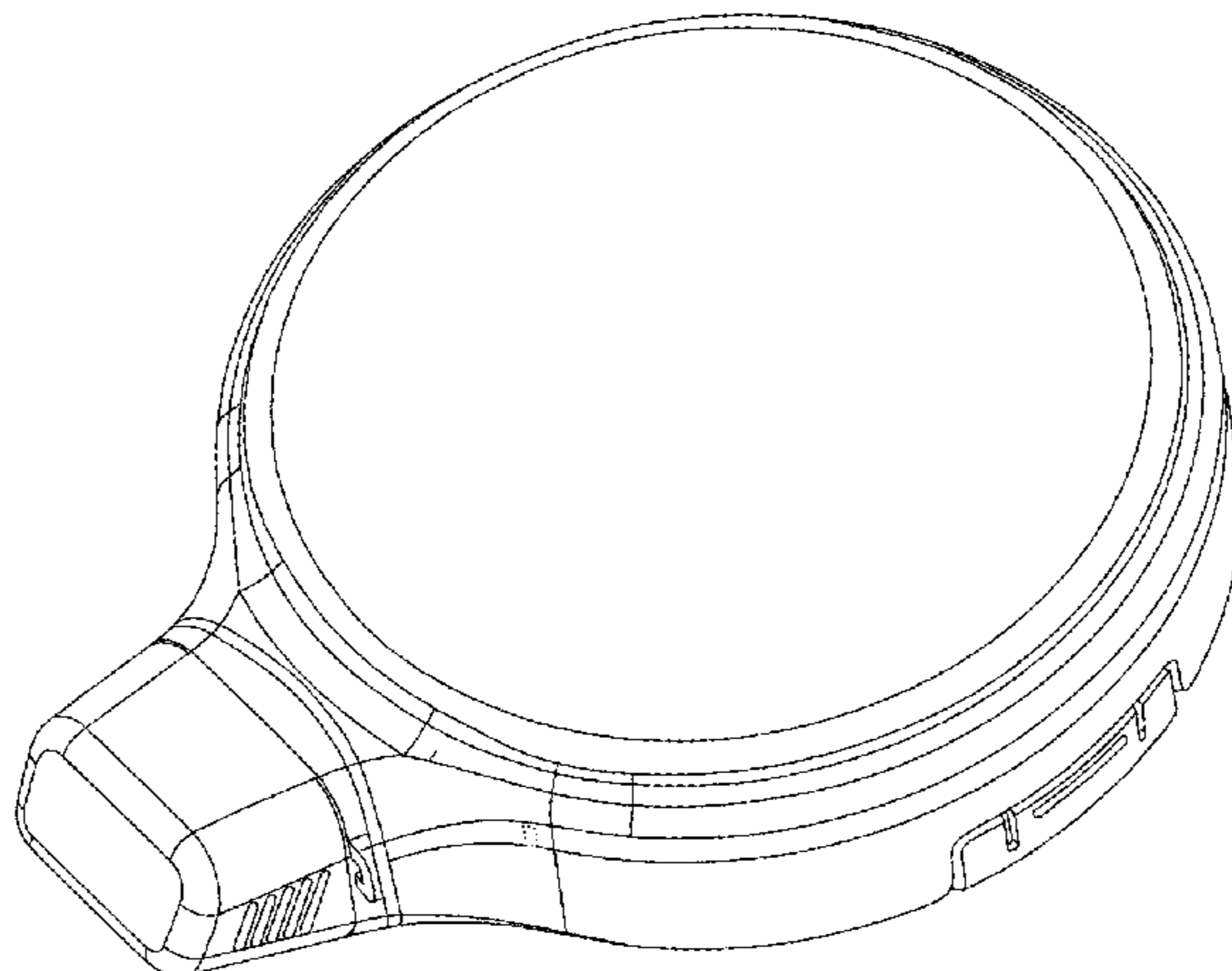
(57) **CLAIM**

The ornamental design for a medications dispensing apparatus, as shown and described.

DESCRIPTION

FIG. 1 is a top right perspective view of a medications dispensing apparatus;
FIG. 2 is a bottom left perspective view thereof;
FIG. 3 is another bottom left perspective view thereof;
FIG. 4 is a front elevation view thereof;
FIG. 5 is a rear elevation view thereof;
FIG. 6 is a left elevation view thereof;
FIG. 7 is a right elevation view thereof;
FIG. 8 is a top plan view thereof; and,
FIG. 9 is a bottom plan view thereof.
The broken lines depict portions of the article that form no part of the claimed design.

1 Claim, 7 Drawing Sheets



(56)

References Cited

U.S. PATENT DOCUMENTS

D363,661 S * 10/1995 Lambelet, Jr. D3/203.4
 D372,863 S * 8/1996 Gatewood D3/203.2
 D380,149 S * 6/1997 Alexander D3/203.4
 D382,198 S * 8/1997 Mulhauser D3/203.4
 D386,404 S * 11/1997 Kirk, III D3/203.4
 D389,999 S * 2/1998 Daigle D3/201
 D398,444 S * 9/1998 Ricci D3/203.2
 D405,361 S * 2/1999 Cameron D9/731
 5,921,395 A * 7/1999 Alexander B65D 83/0454
 206/1.5
 D423,925 S * 5/2000 Finkelston D9/731
 D443,979 S * 6/2001 Rijlaarsdam D3/201
 D451,666 S * 12/2001 Zastrow D3/203.3
 D452,151 S * 12/2001 Scott D3/203.4
 6,382,410 B1 * 5/2002 Magid B65D 43/18
 206/38.1
 D458,016 S * 6/2002 Christianson D3/203.4
 D463,102 S * 9/2002 Rosado D3/203.3
 D463,740 S * 10/2002 Garran D9/731
 D473,786 S * 4/2003 Chue D3/203.4
 D488,618 S * 4/2004 Wekstein D3/203.3
 D490,307 S * 5/2004 Hunger D3/203.3
 D490,308 S * 5/2004 Hunger D3/203.3
 D501,310 S * 2/2005 Smarte D3/203.2
 D502,801 S * 3/2005 Baum D3/203.3
 D514,804 S * 2/2006 Harvie D3/203.4
 D531,400 S * 11/2006 Hornsby D3/203.4
 D547,940 S * 8/2007 Sandy D3/203.2
 D548,109 S * 8/2007 Rust D9/731
 D563,095 S * 3/2008 Sabbag D3/203.3
 D570,595 S * 6/2008 Chue D3/203.3
 D580,275 S * 11/2008 Burrowes D9/731
 D600,441 S * 9/2009 Estrada D3/203.3
 D610,796 S * 3/2010 Siegel D3/203.2
 D621,603 S * 8/2010 Traylor D3/203.2

D626,432 S * 11/2010 Luciano D9/731
 D626,433 S * 11/2010 Luciano D9/731
 D641,970 S * 7/2011 Xu D3/203.2
 D642,481 S * 8/2011 Proksch D9/731
 D645,657 S * 9/2011 Portney D3/203.2
 8,100,291 B2 * 1/2012 Dikken G07F 11/52
 221/113
 D663,113 S * 7/2012 Simms D3/203.3
 D681,936 S * 5/2013 Basas D3/203.2
 D689,689 S * 9/2013 Magno D3/203.2
 D707,039 S * 6/2014 Zerlin D3/203.2
 D707,567 S * 6/2014 Callaghan D9/730
 D708,434 S * 7/2014 Deeb D3/203.3
 D717,038 S * 11/2014 Lee D3/203.3
 D720,525 S * 1/2015 Magno D3/203.2
 D746,046 S * 12/2015 Lee D3/203.3
 D746,058 S * 12/2015 Serell D3/203.1
 D747,606 S * 1/2016 Serell D3/203.2
 D757,274 S * 5/2016 Gelb D24/176
 D785,314 S * 5/2017 Noble D3/203.2
 D805,294 S * 12/2017 Edwards D3/203.2
 D806,380 S * 1/2018 Hines D3/203.2
 2003/0057230 A1 * 3/2003 Stevens B65B 5/103
 221/200
 2004/0099561 A1 * 5/2004 Christensen B65D 83/0454
 206/461
 2006/0163267 A1 * 7/2006 Lapsker G07F 11/54
 221/2
 2007/0012712 A1 * 1/2007 Syiau A61J 7/0481
 221/2
 2010/0147867 A1 * 6/2010 Villegas Estrada B65D 50/04
 221/87
 2013/0327789 A1 * 12/2013 Foshee A61J 7/0076
 222/95
 2015/0028050 A1 * 1/2015 Huang B25J 15/0616
 221/211

* cited by examiner

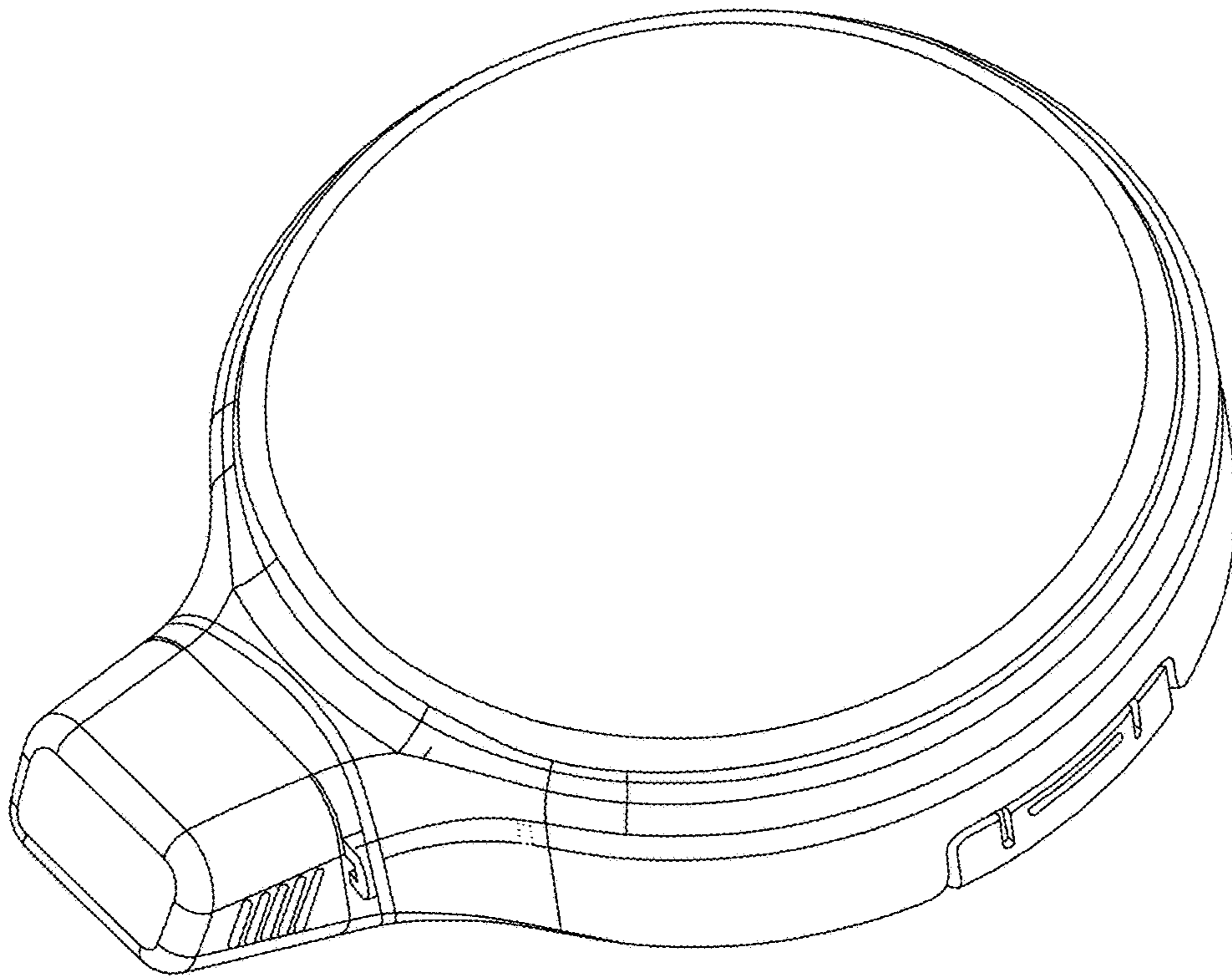


Fig. 1

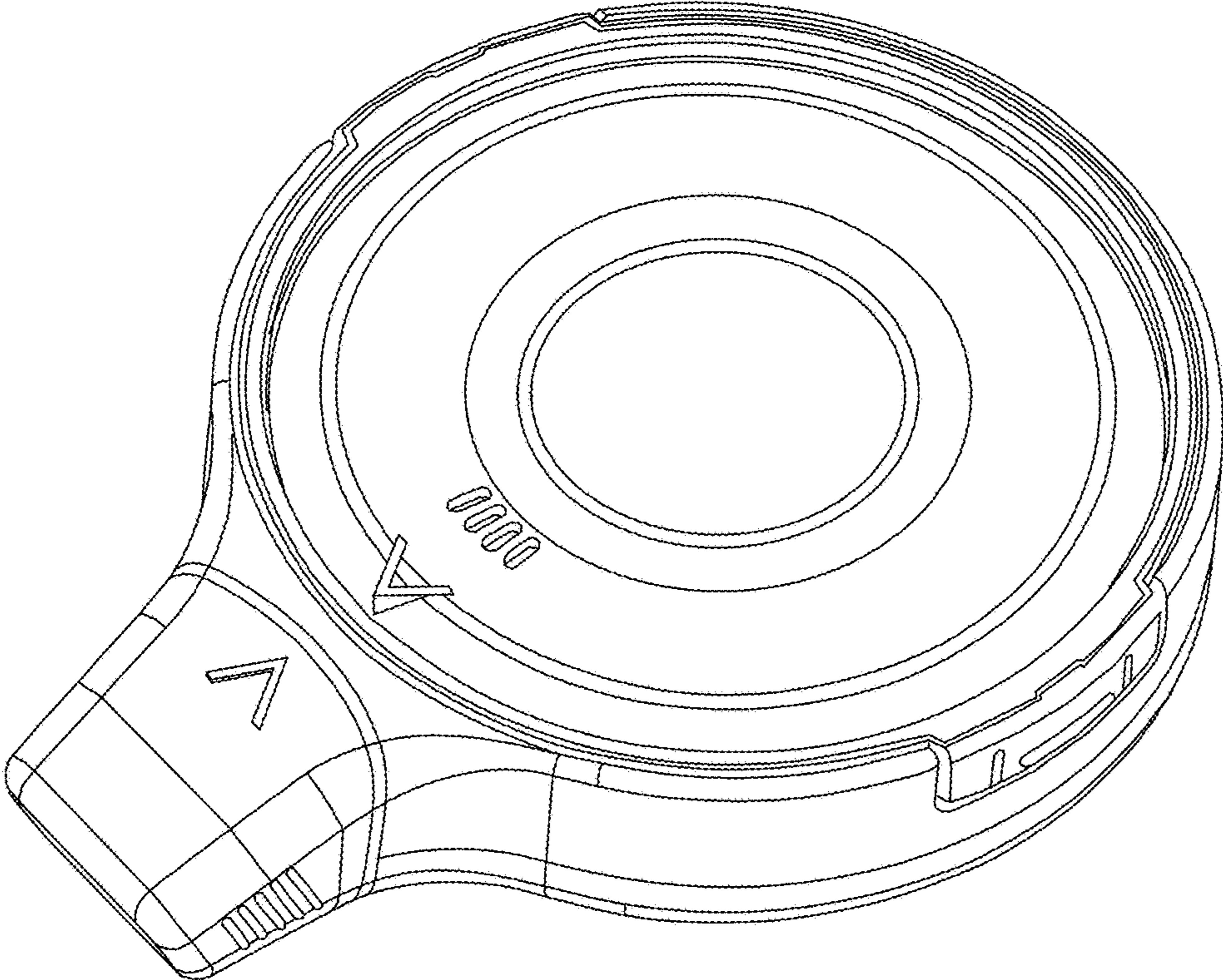


Fig. 2

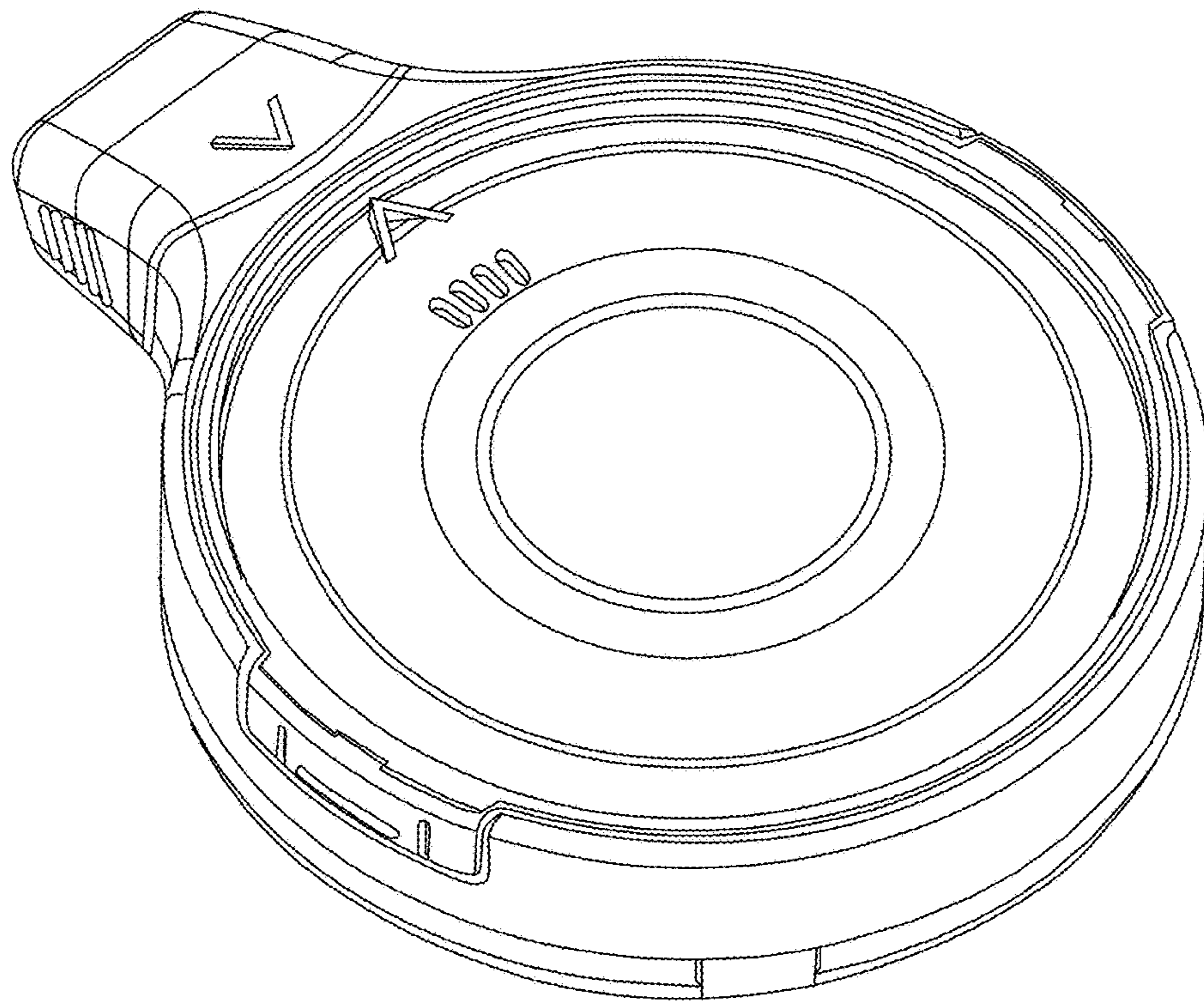


Fig. 3

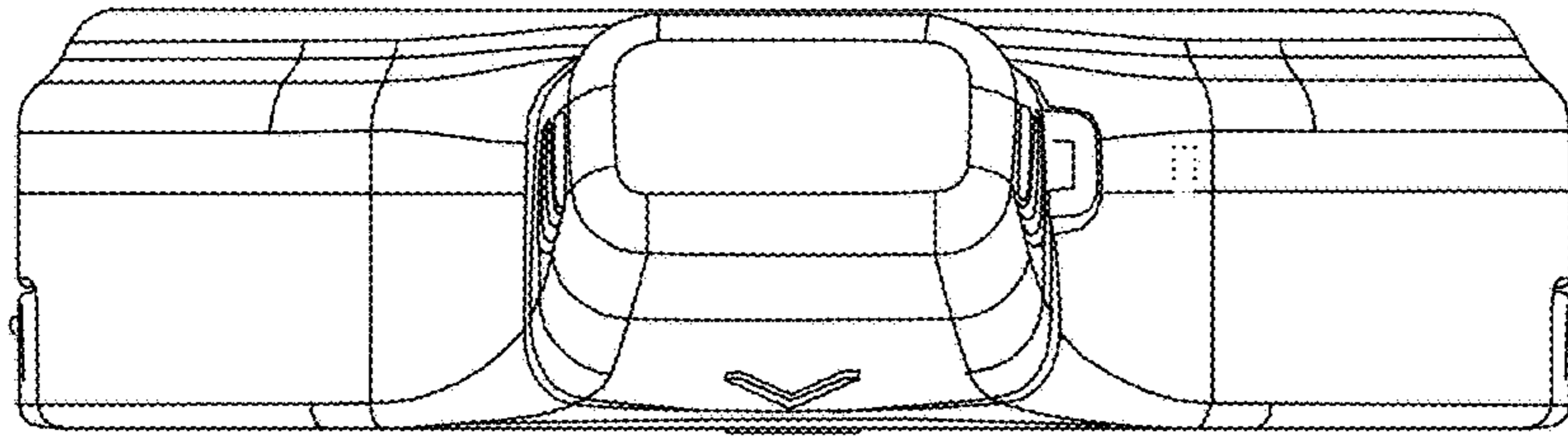


Fig. 4

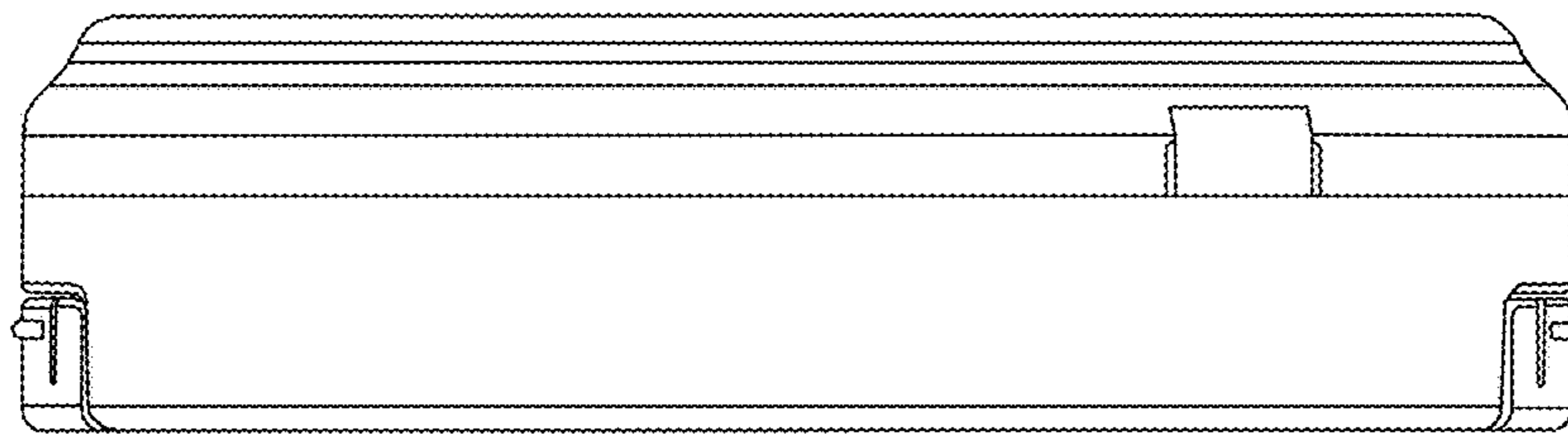


Fig. 5

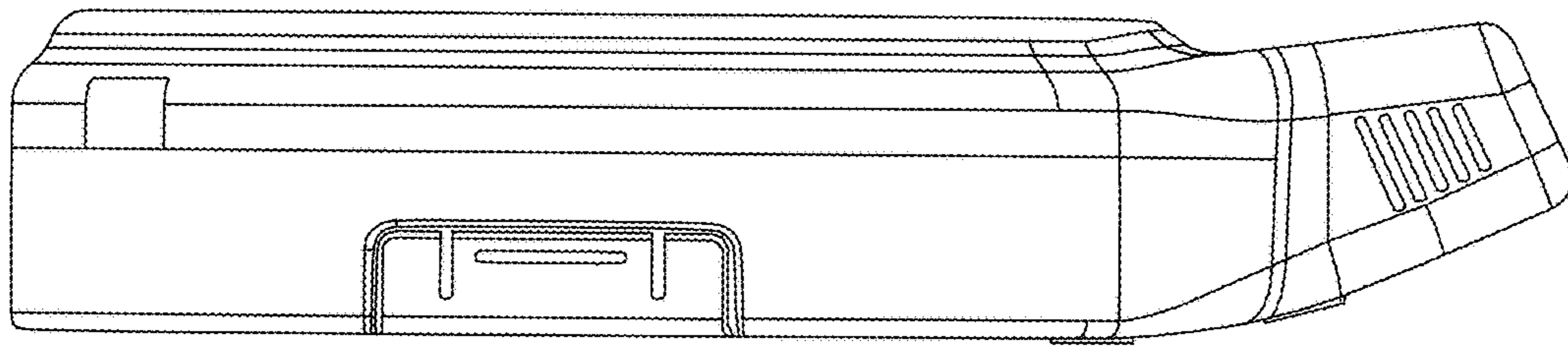


Fig. 6

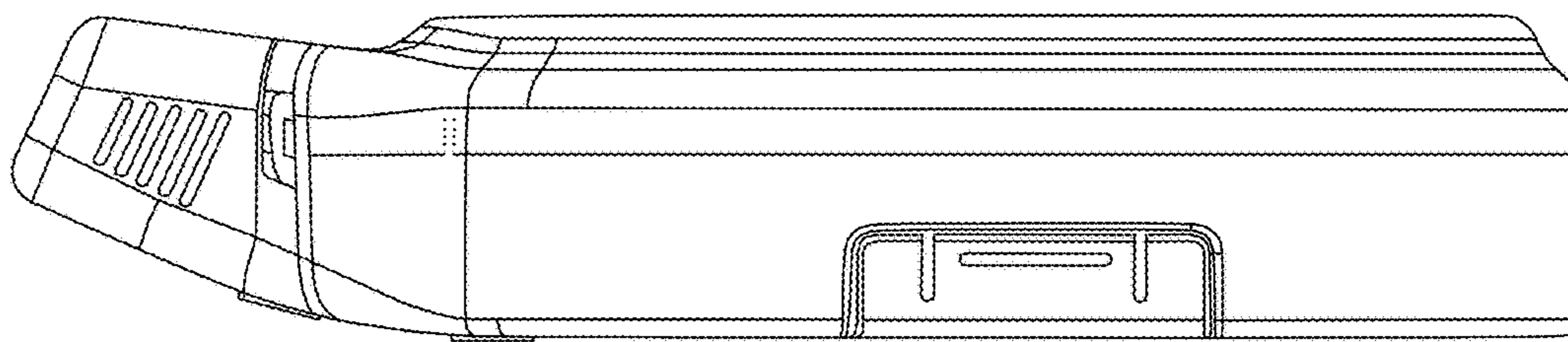


Fig. 7

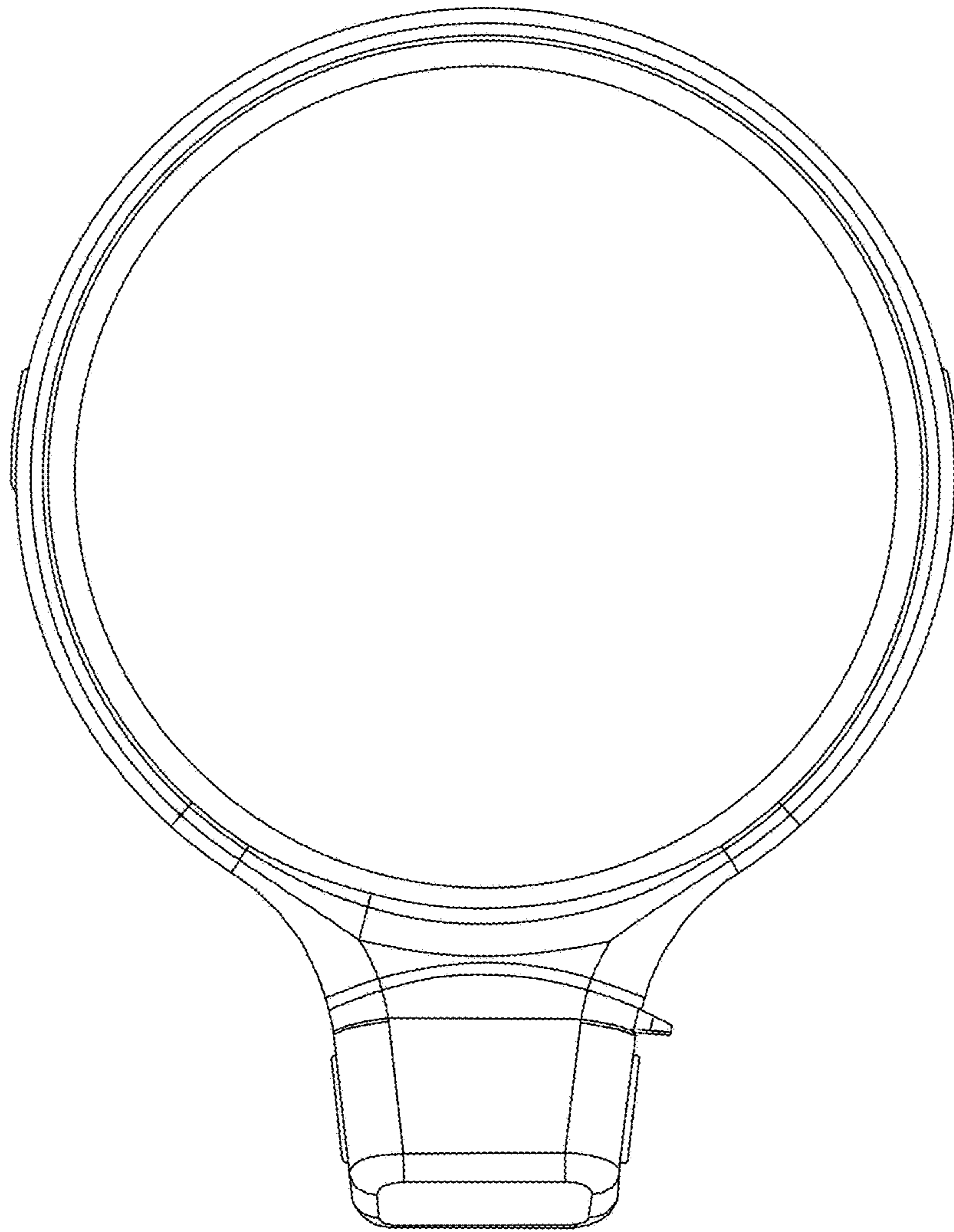


Fig. 8

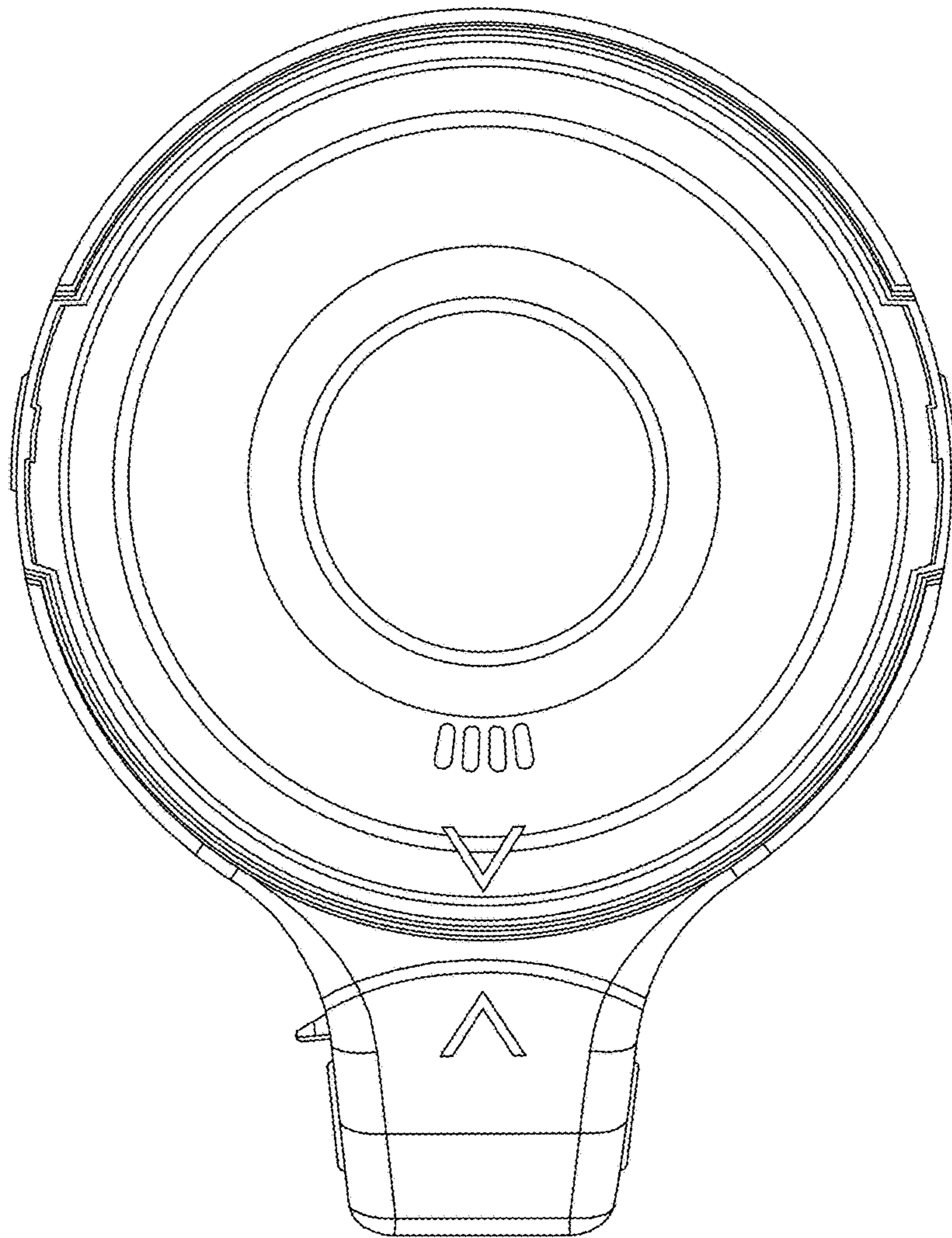


Fig. 9