



US00D834301S

(12) **United States Design Patent** (10) **Patent No.:** **US D834,301 S**
Poissant (45) **Date of Patent:** **** Nov. 27, 2018**

(54) **CASE**
(71) Applicant: **2421501 Ontario Inc.**, Brampton (CA)
(72) Inventor: **Philip Poissant**, Toronto (CA)
(73) Assignee: **2421501 Ontario Inc.**, Brampton,
Ontario (CA)
(**) Term: **15 Years**
(21) Appl. No.: **29/602,089**
(22) Filed: **Apr. 28, 2017**

(30) **Foreign Application Priority Data**
Oct. 28, 2016 (CA) 171270
(51) **LOC (11) Cl.** **03-01**
(52) **U.S. Cl.**
USPC **D3/201**
(58) **Field of Classification Search**
USPC D3/201, 203.1, 128, 228, 266, 294, 300,
D3/303; D9/424, 432, 721; 206/305,
206/620, 772; D14/148, 192, 205, 218,
D14/223–224, 248–249; 379/430–431,
379/444
CPC B65D 77/04; B65D 77/0433; B65D 81/02;
B65D 85/00
See application file for complete search history.

(56) **References Cited**
U.S. PATENT DOCUMENTS
D333,560 S * 3/1993 Miyashita D3/218
D474,886 S * 5/2003 Fleming D3/203.1
D492,478 S * 7/2004 Hadley D3/228
D506,744 S * 6/2005 Andre D14/205
D576,034 S * 9/2008 Rosario Pereira da Costa
D9/424
D614,048 S * 4/2010 Smith D3/203.1
D630,835 S * 1/2011 Easley D3/203.1

D705,532 S * 5/2014 Kolton D3/201
D706,643 S * 6/2014 Akana D9/432
D806,388 S * 1/2018 Akana D3/294
(Continued)

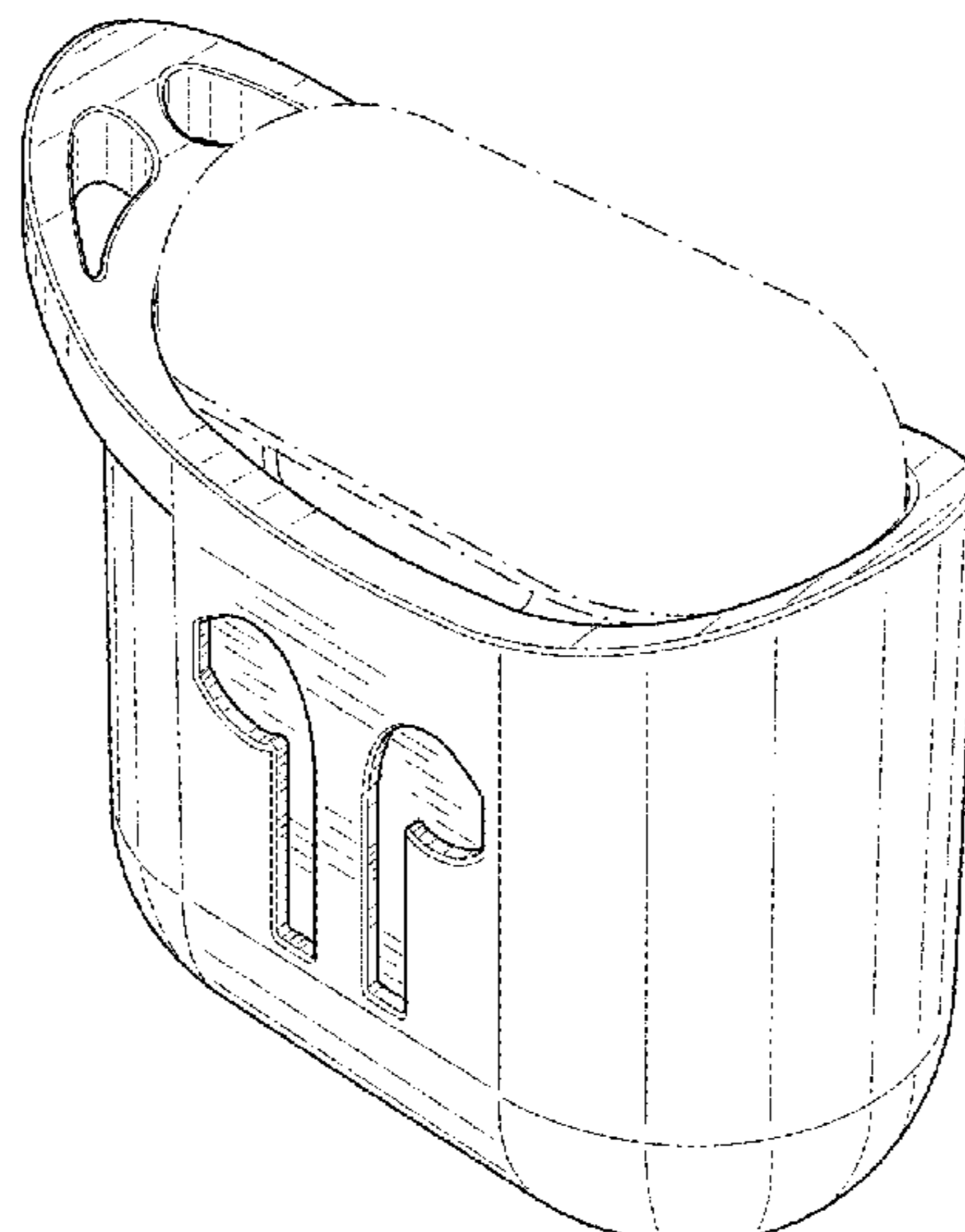
Primary Examiner — Catherine R Oliver-Garcia
(74) *Attorney, Agent, or Firm* — Panitch Schwarze
Belisario & Nadel LLP

(57) **CLAIM**
The ornamental design for a case, as shown and described.

DESCRIPTION

FIG. 1 is a perspective view of a case in accordance with a first embodiment of my new design, in which an earphone container held within the case is shown as environment;
FIG. 2 is a top perspective view thereof;
FIG. 3 is a bottom perspective view thereof;
FIG. 4 is a front view thereof;
FIG. 5 is a right side view thereof;
FIG. 6 is a rear view thereof;
FIG. 7 is a left side view thereof;
FIG. 8 is a top plan view thereof;
FIG. 9 is a bottom plan view thereof;
FIG. 10 is a perspective view of a case in accordance with a second embodiment of my new design, in which an earphone container held within the case is shown as environment;
FIG. 11 is a top perspective view thereof;
FIG. 12 is a bottom perspective view thereof;
FIG. 13 is a front view thereof;
FIG. 14 is a right side view thereof;
FIG. 15 is a rear view thereof;
FIG. 16 is a left side view thereof;
FIG. 17 is a top plan view thereof; and,
FIG. 18 is a bottom plan view thereof.
The broken lines in the figures are for the purpose of showing environmental structure and form no part of the claimed design.

1 Claim, 10 Drawing Sheets



(56)

References Cited

U.S. PATENT DOCUMENTS

D808,160 S * 1/2018 Matson D3/266
D811,745 S * 3/2018 Davi D3/294

* cited by examiner

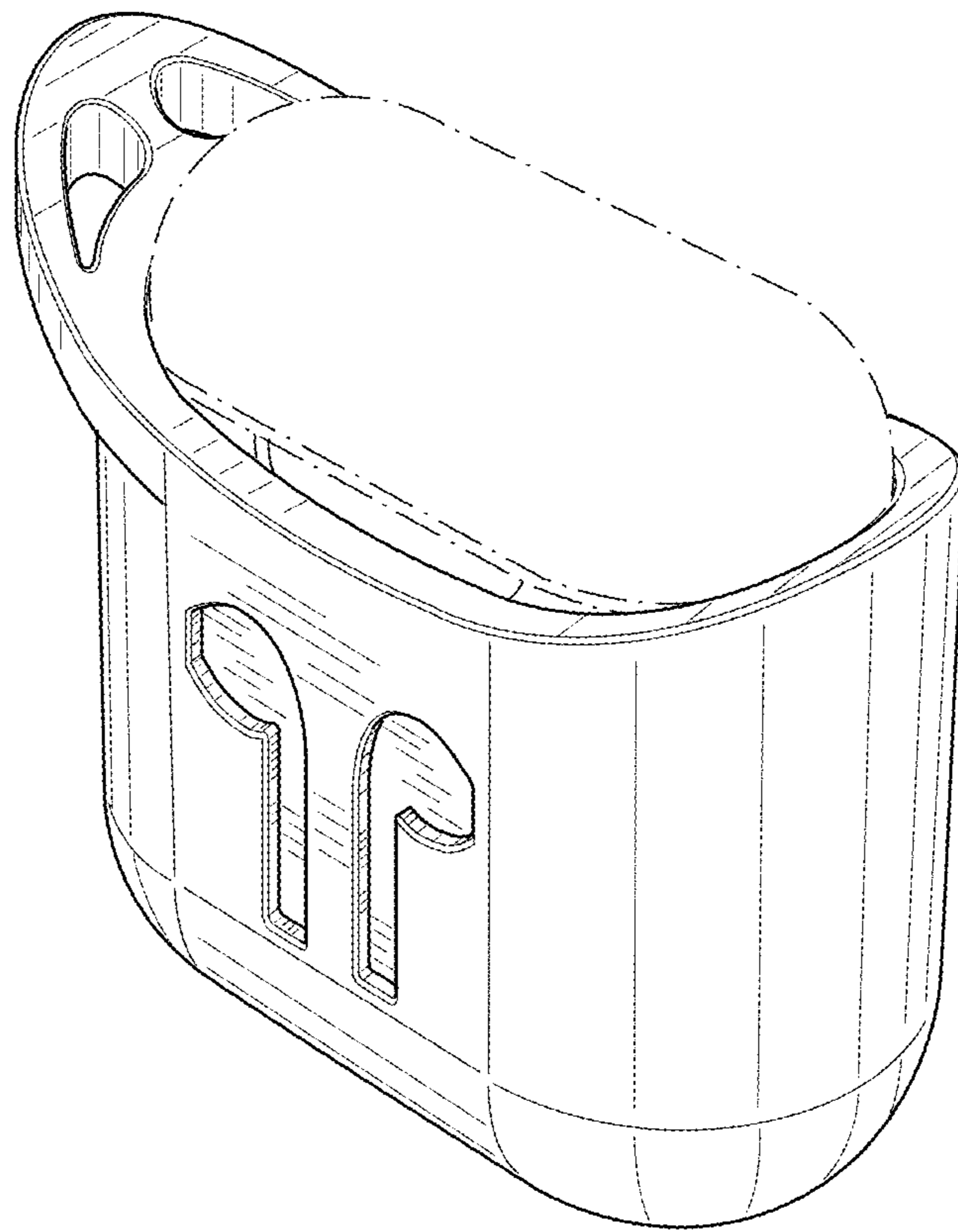


FIG. 1

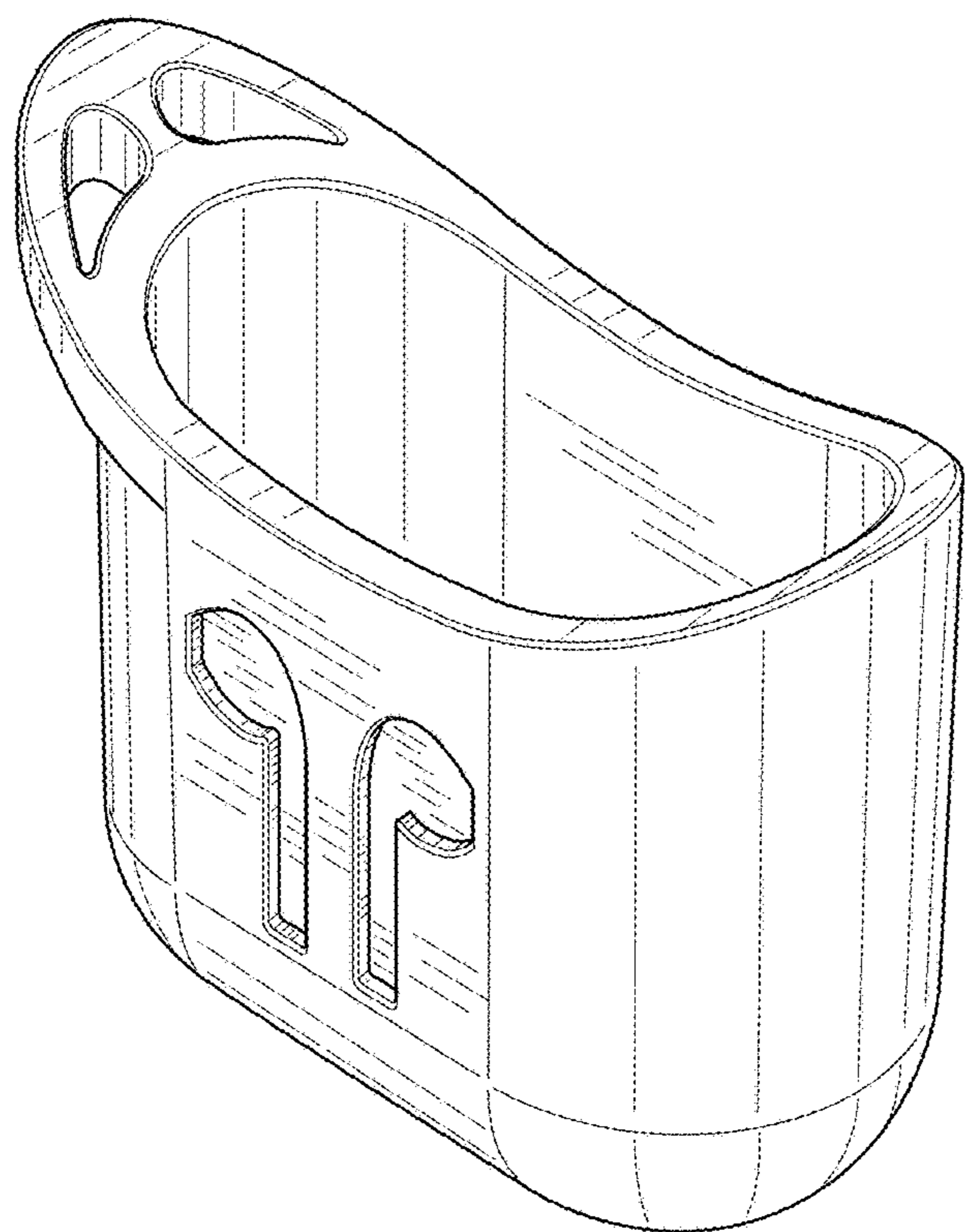


FIG. 2

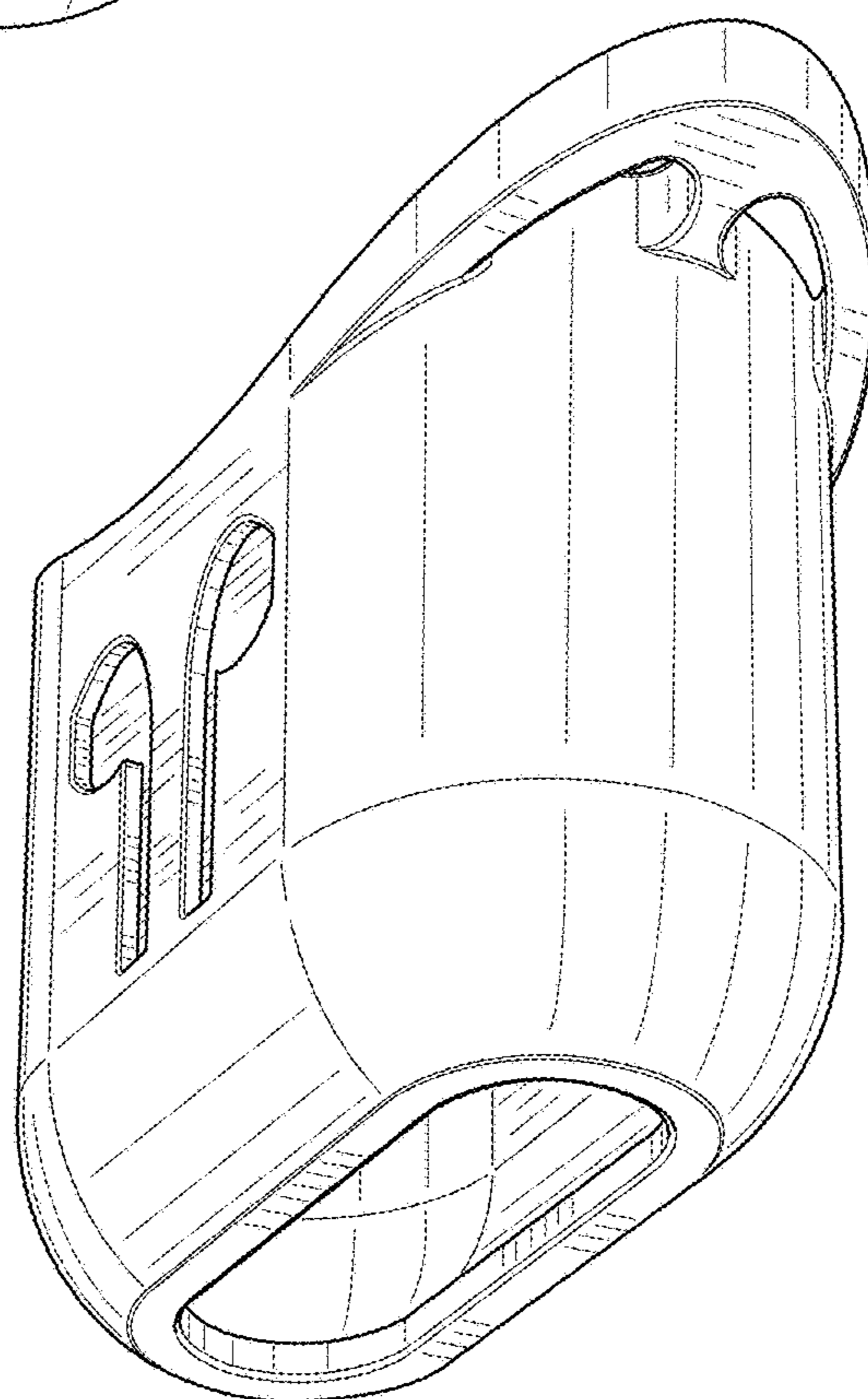


FIG. 3

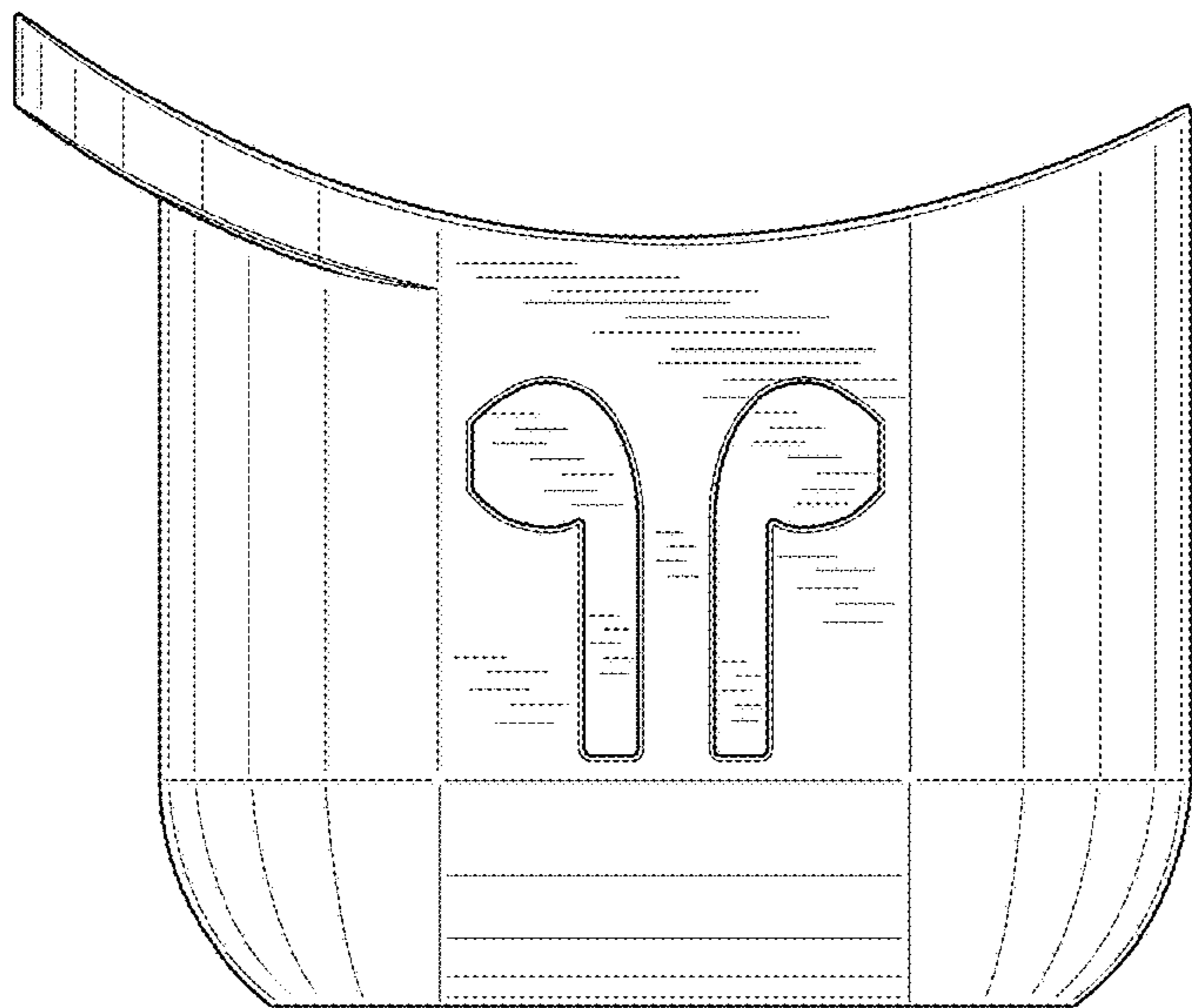


FIG. 4

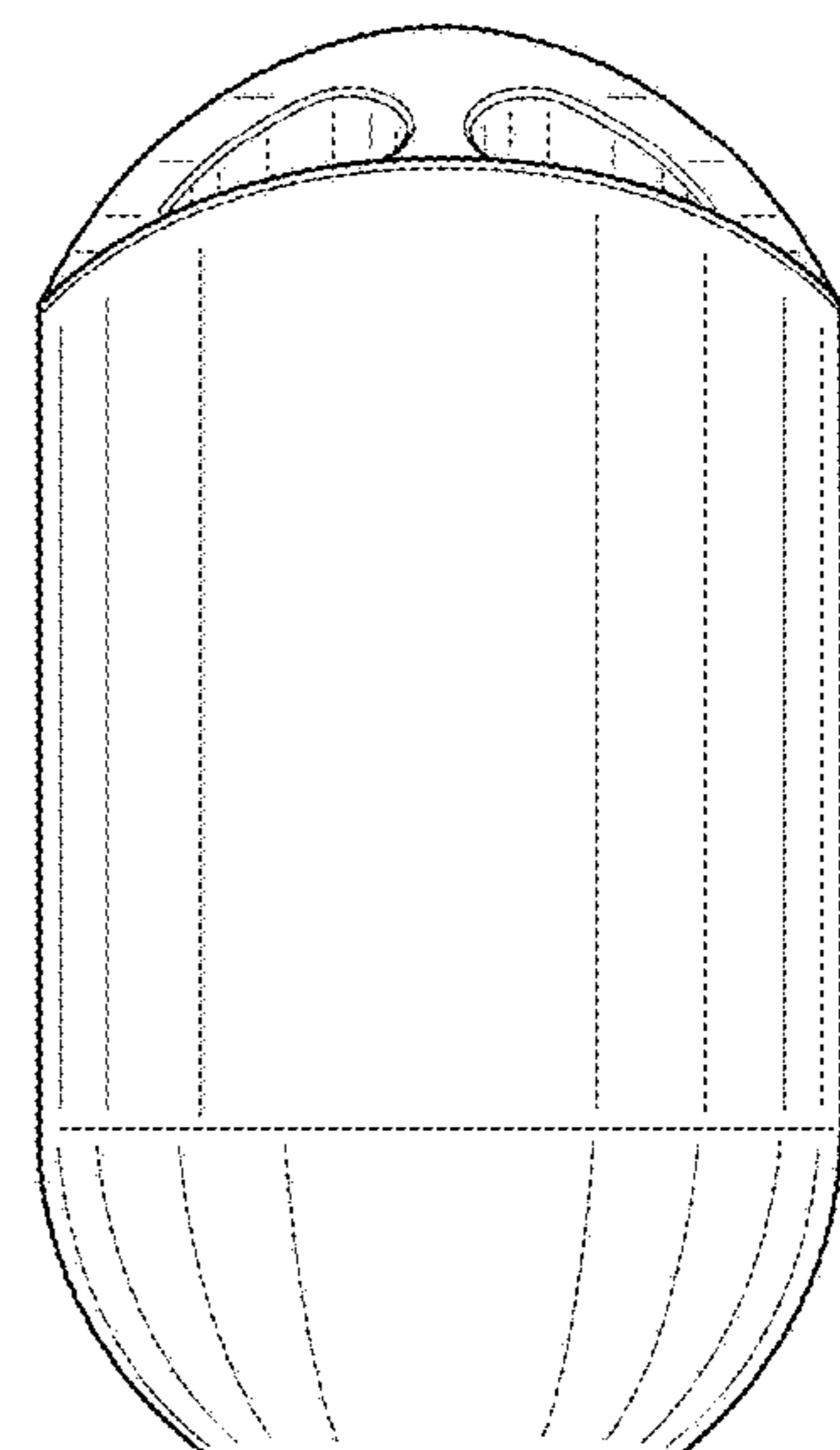


FIG. 5

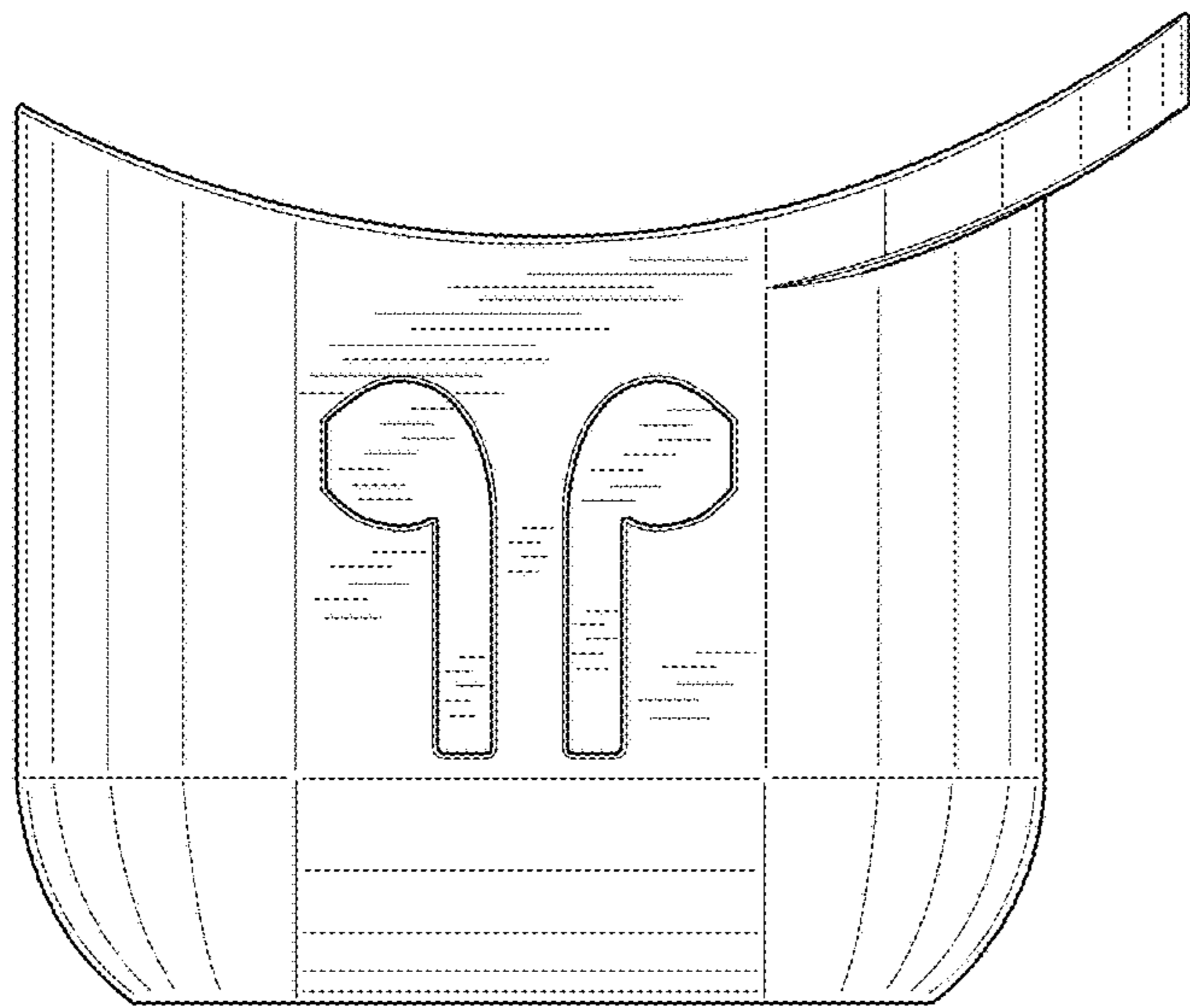


FIG. 6

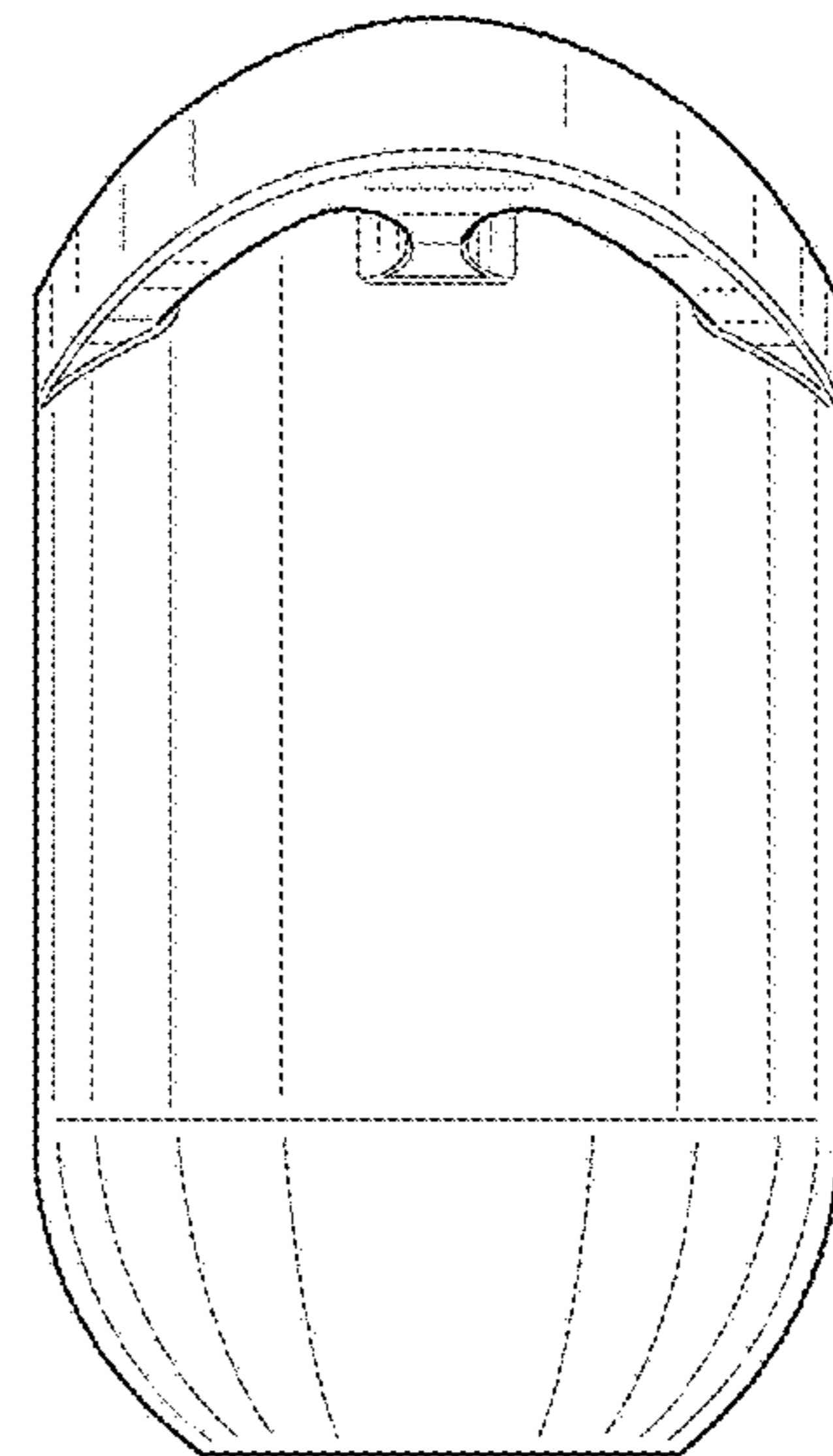


FIG. 7

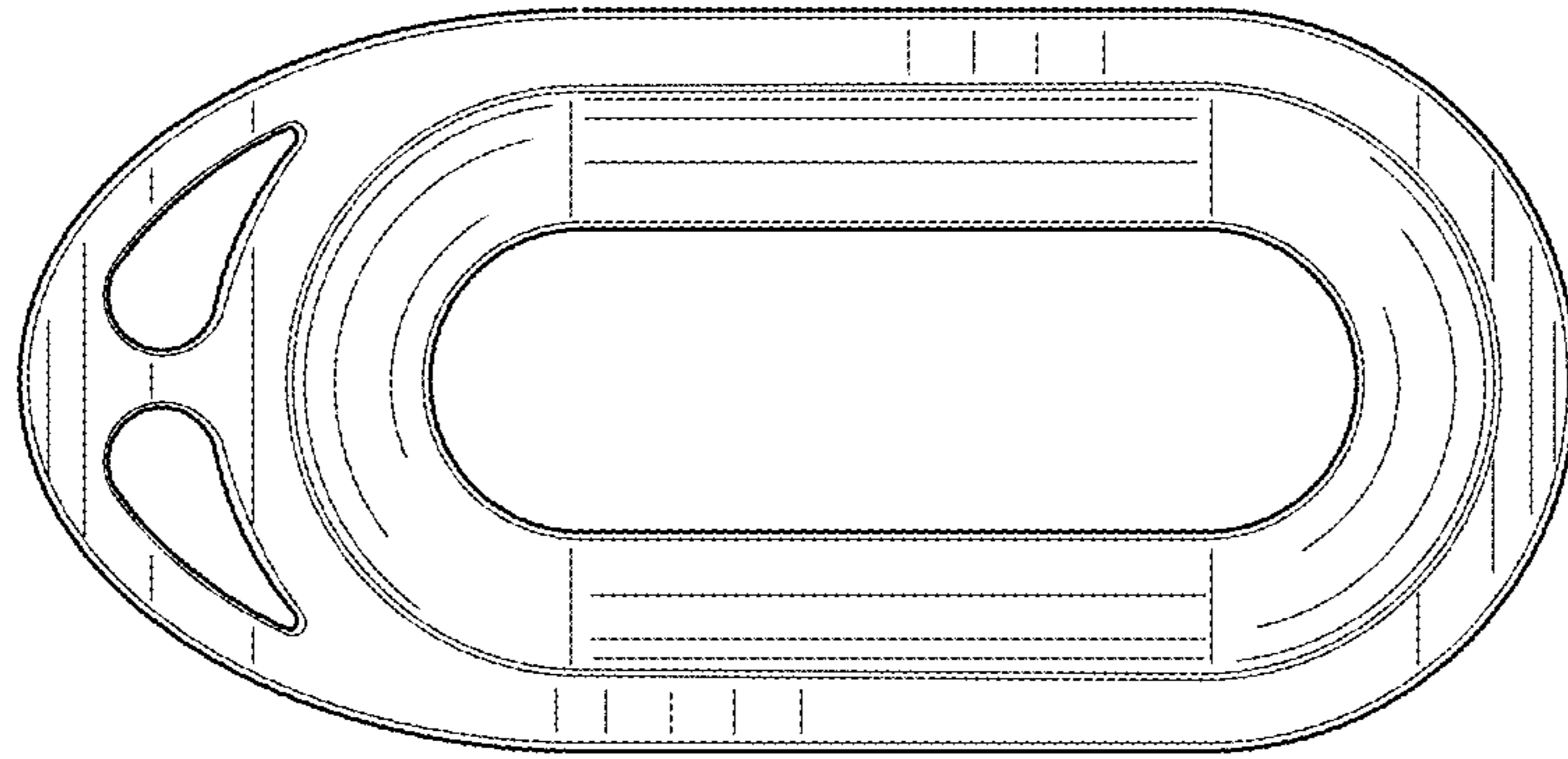


FIG. 8

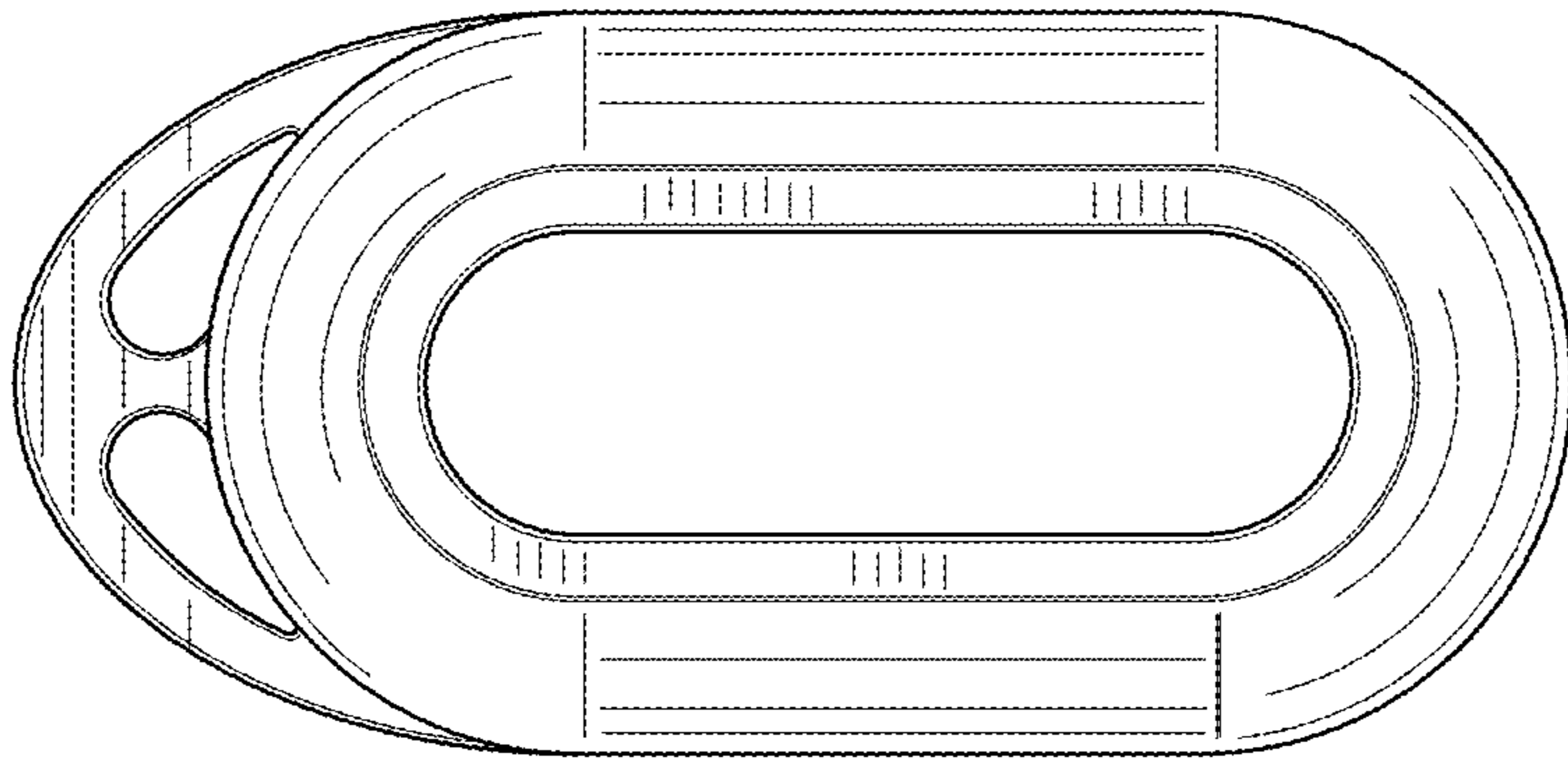


FIG. 9

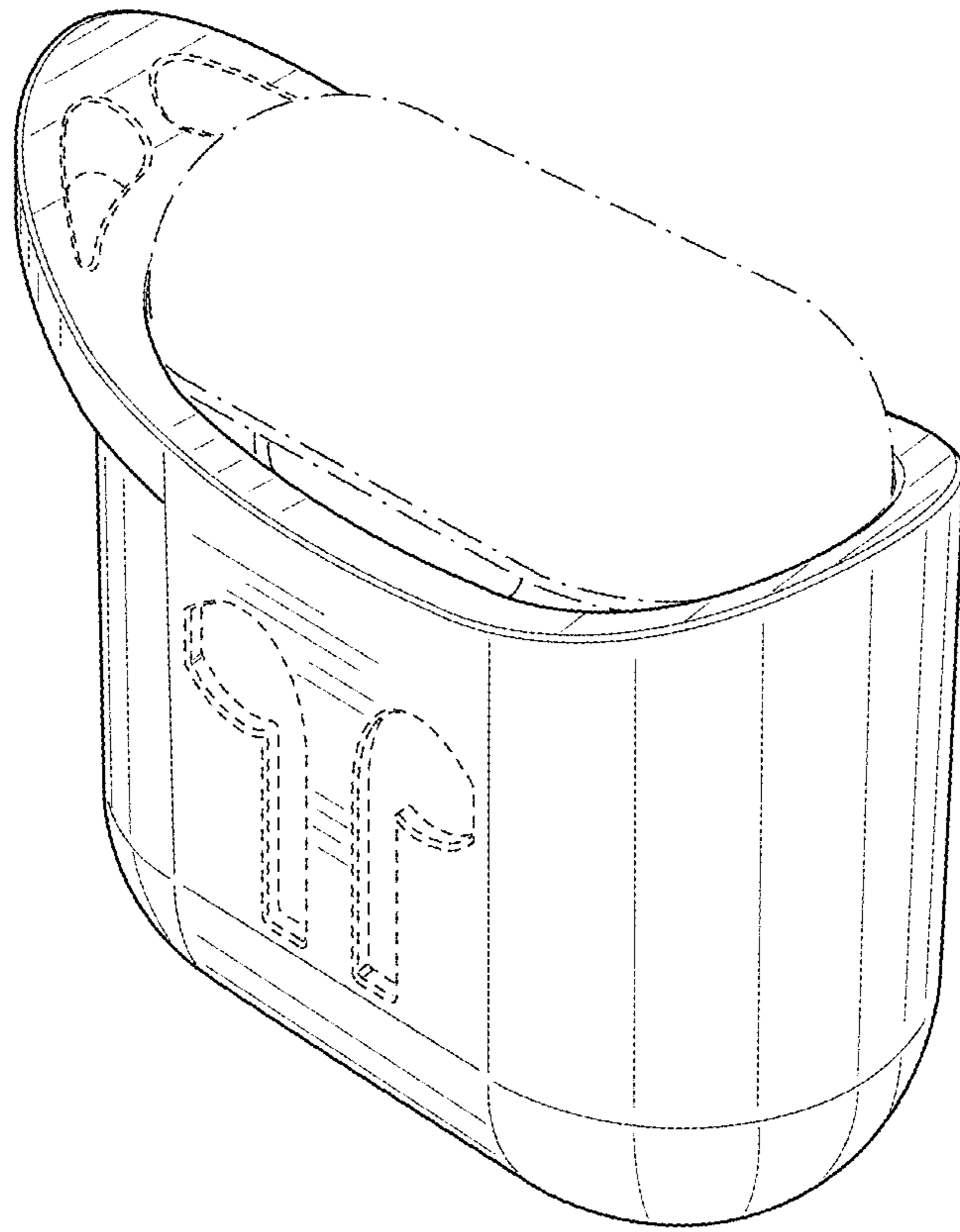


FIG. 10

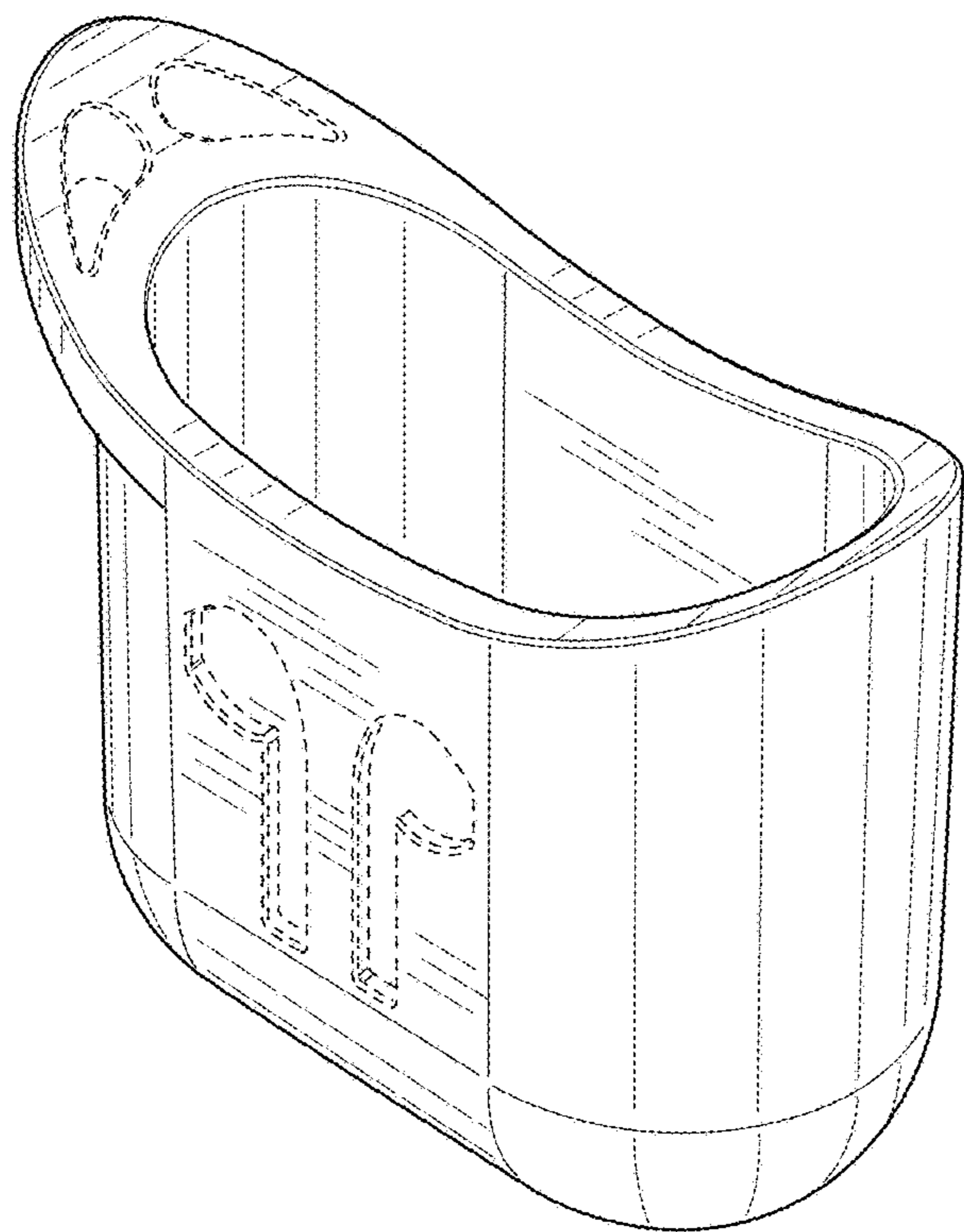


FIG. 11

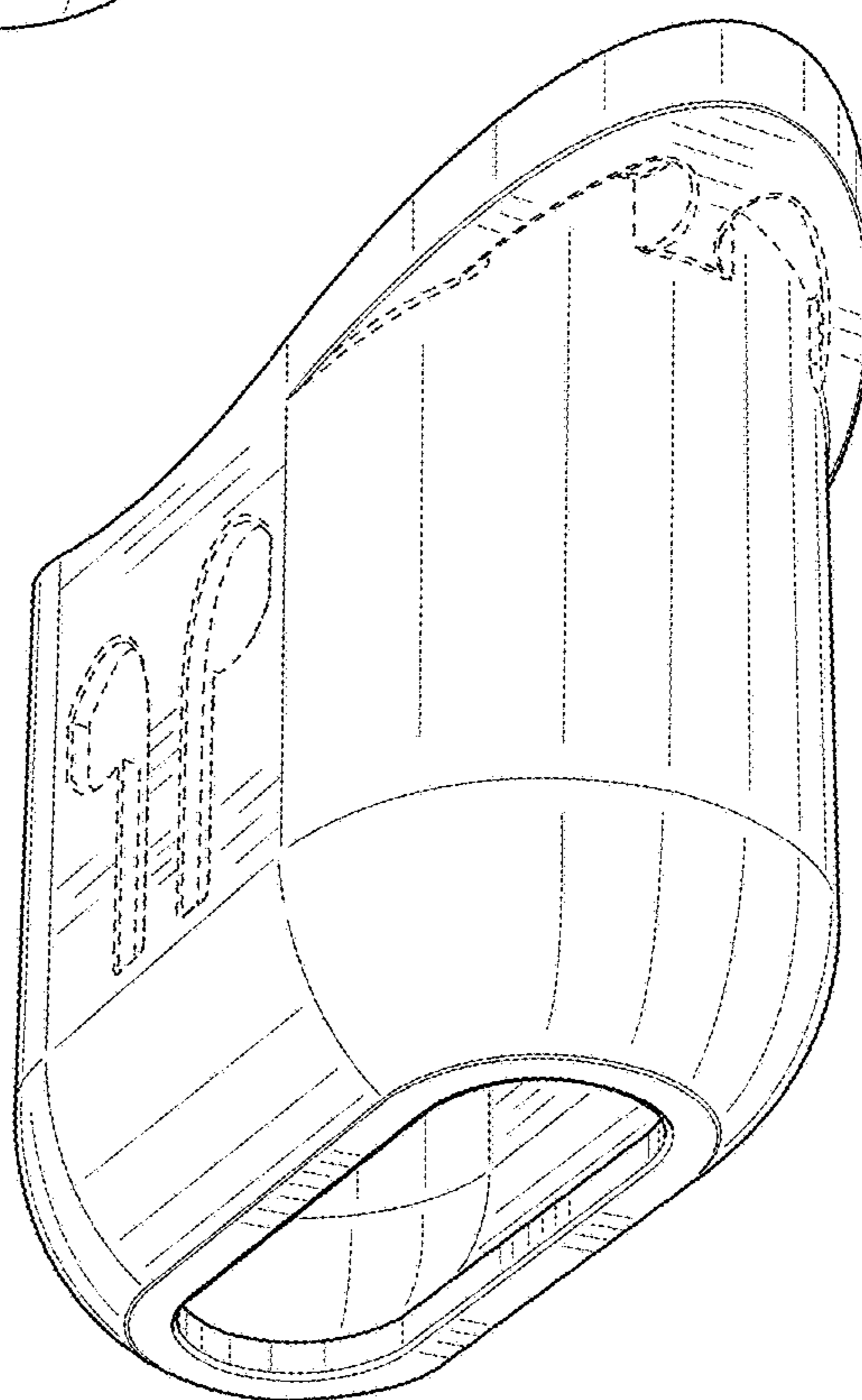


FIG. 12

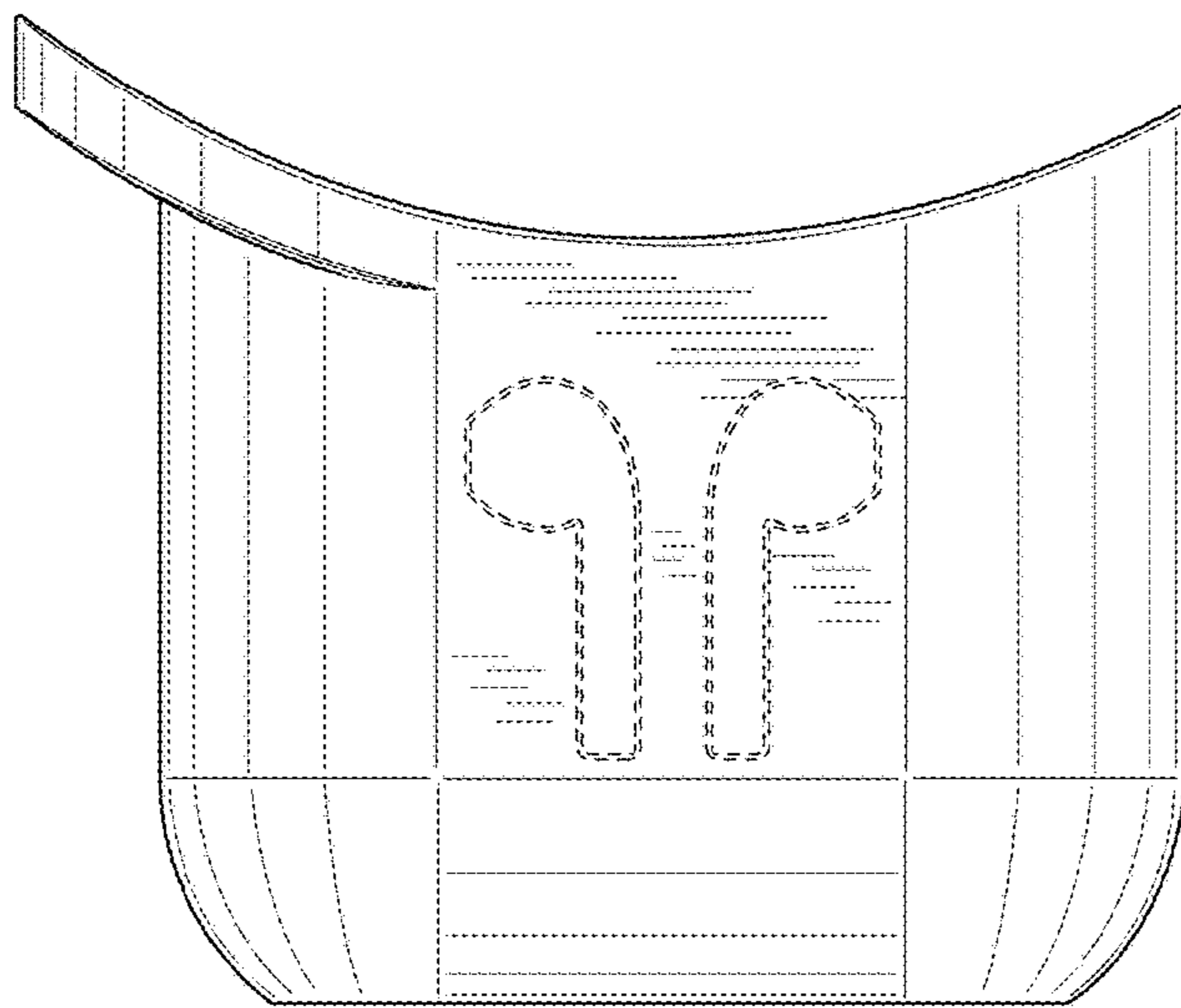


FIG. 13

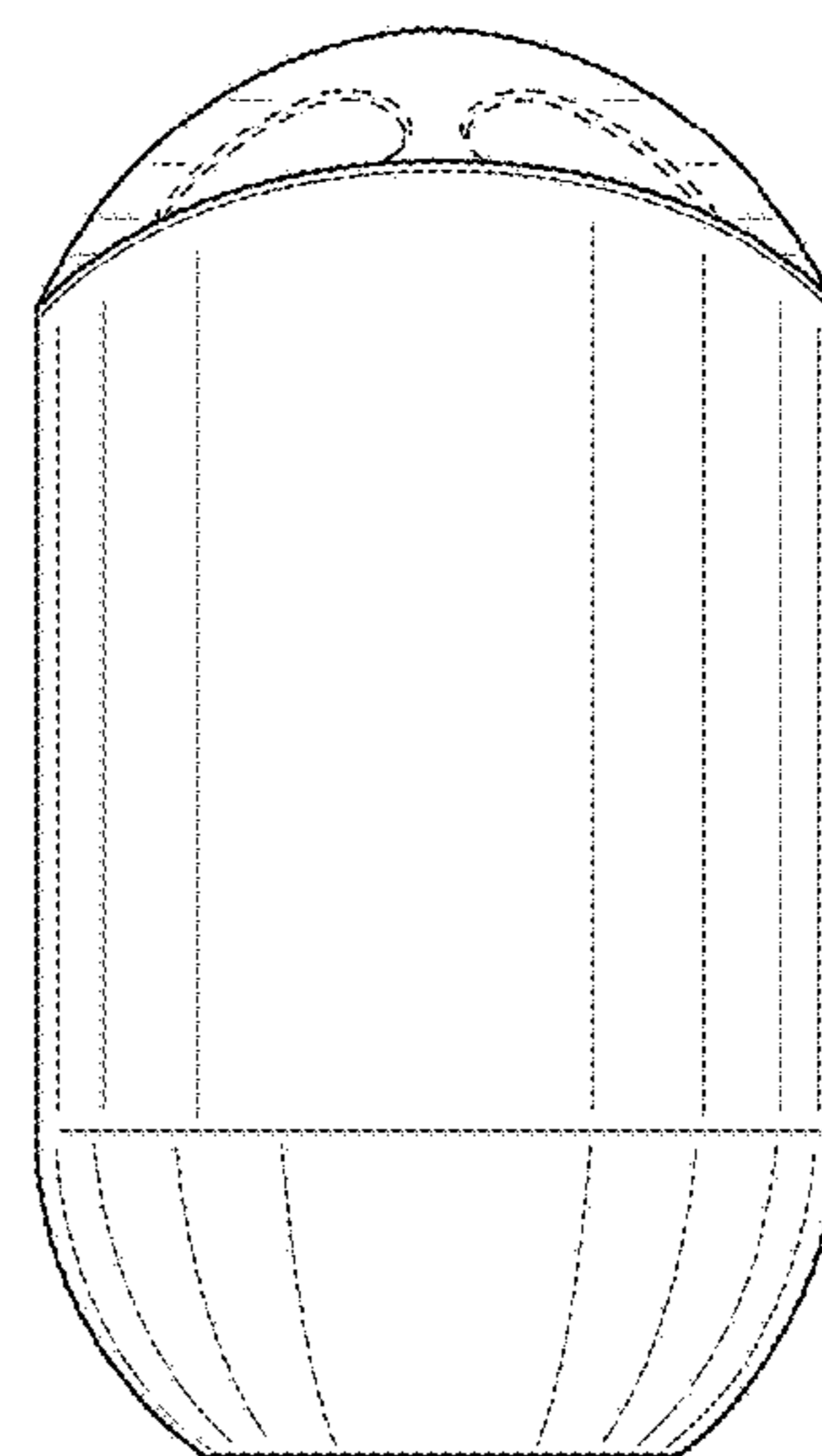


FIG. 14

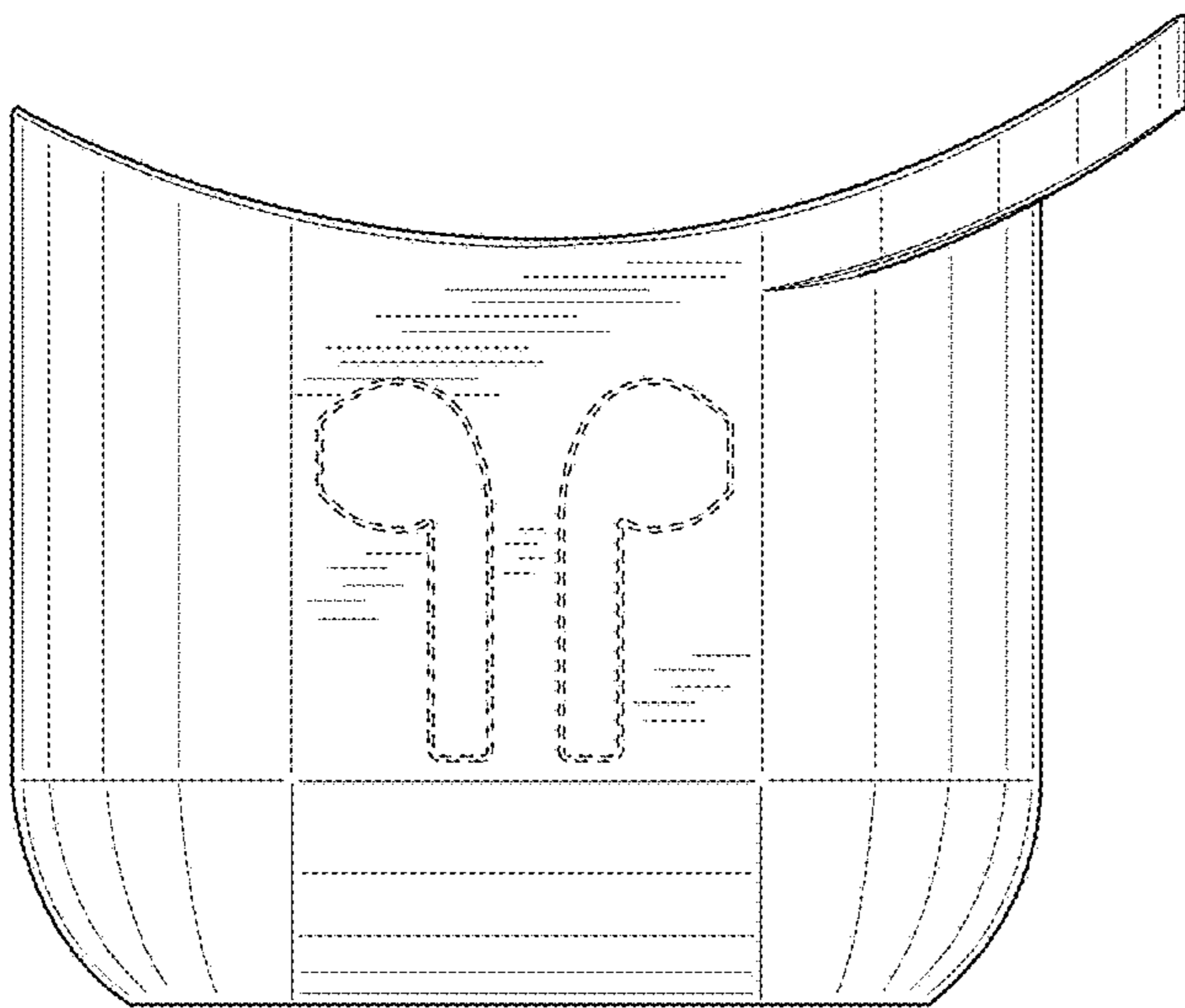


FIG. 15

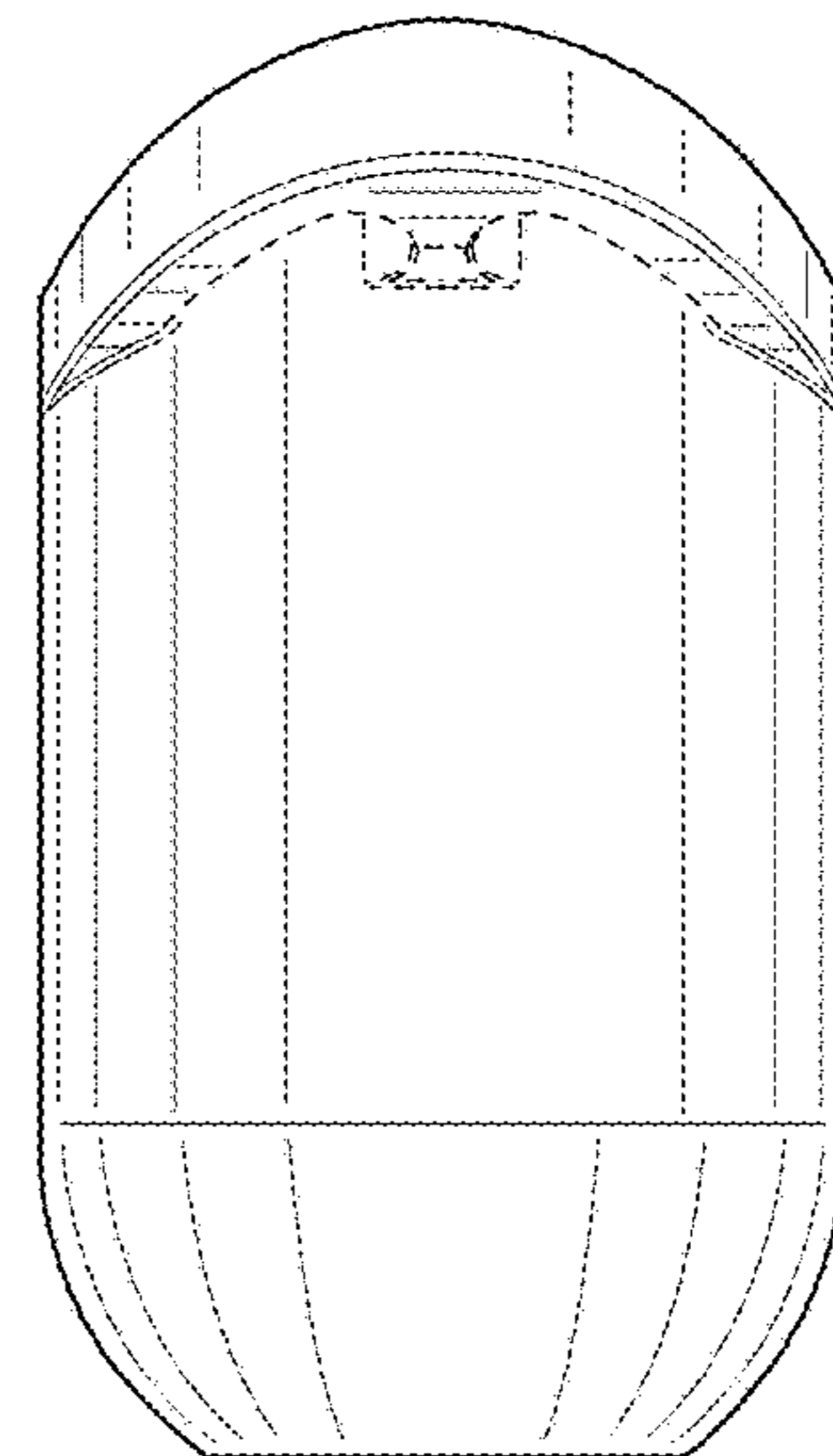


FIG. 16

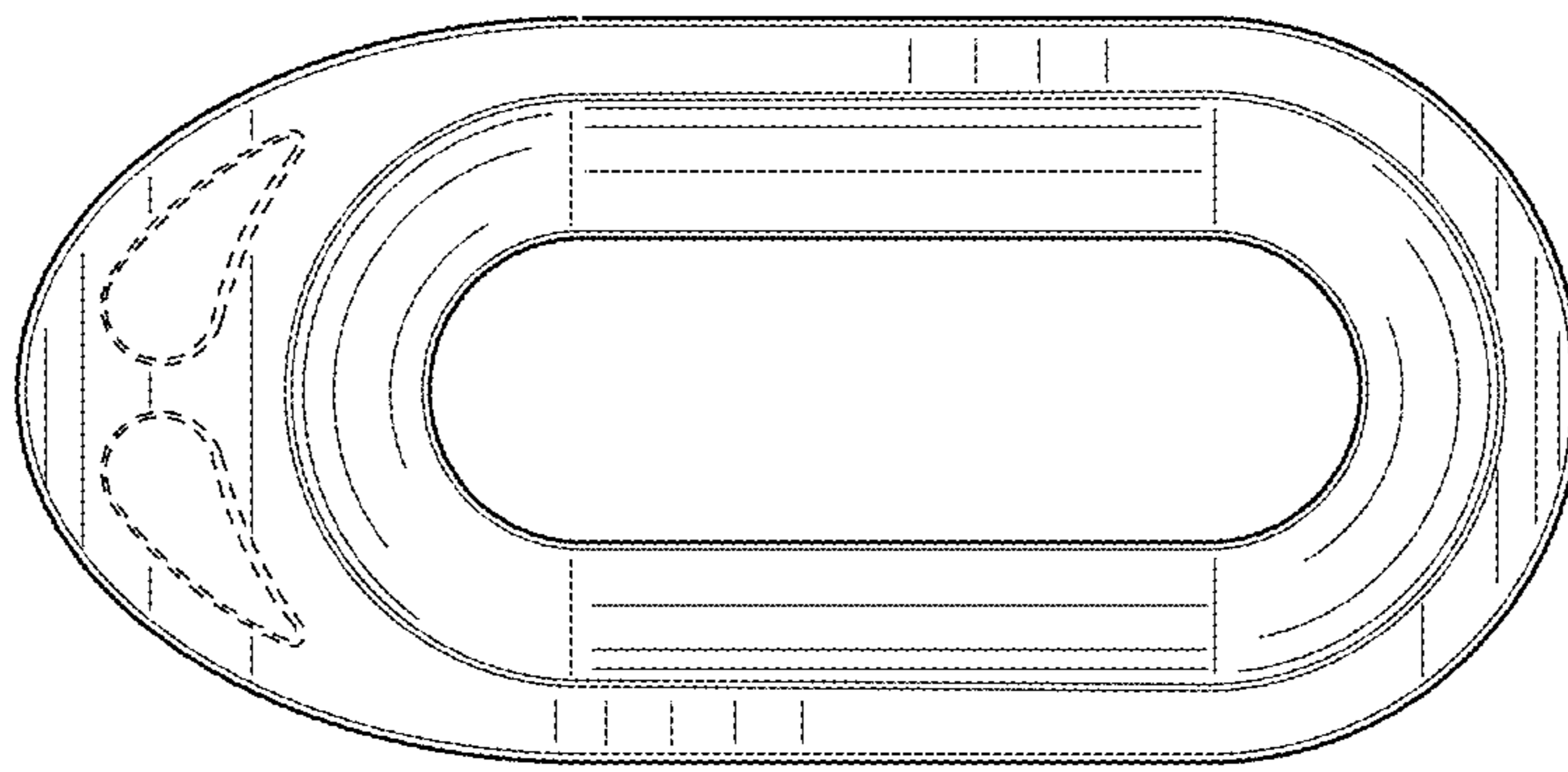


FIG. 17

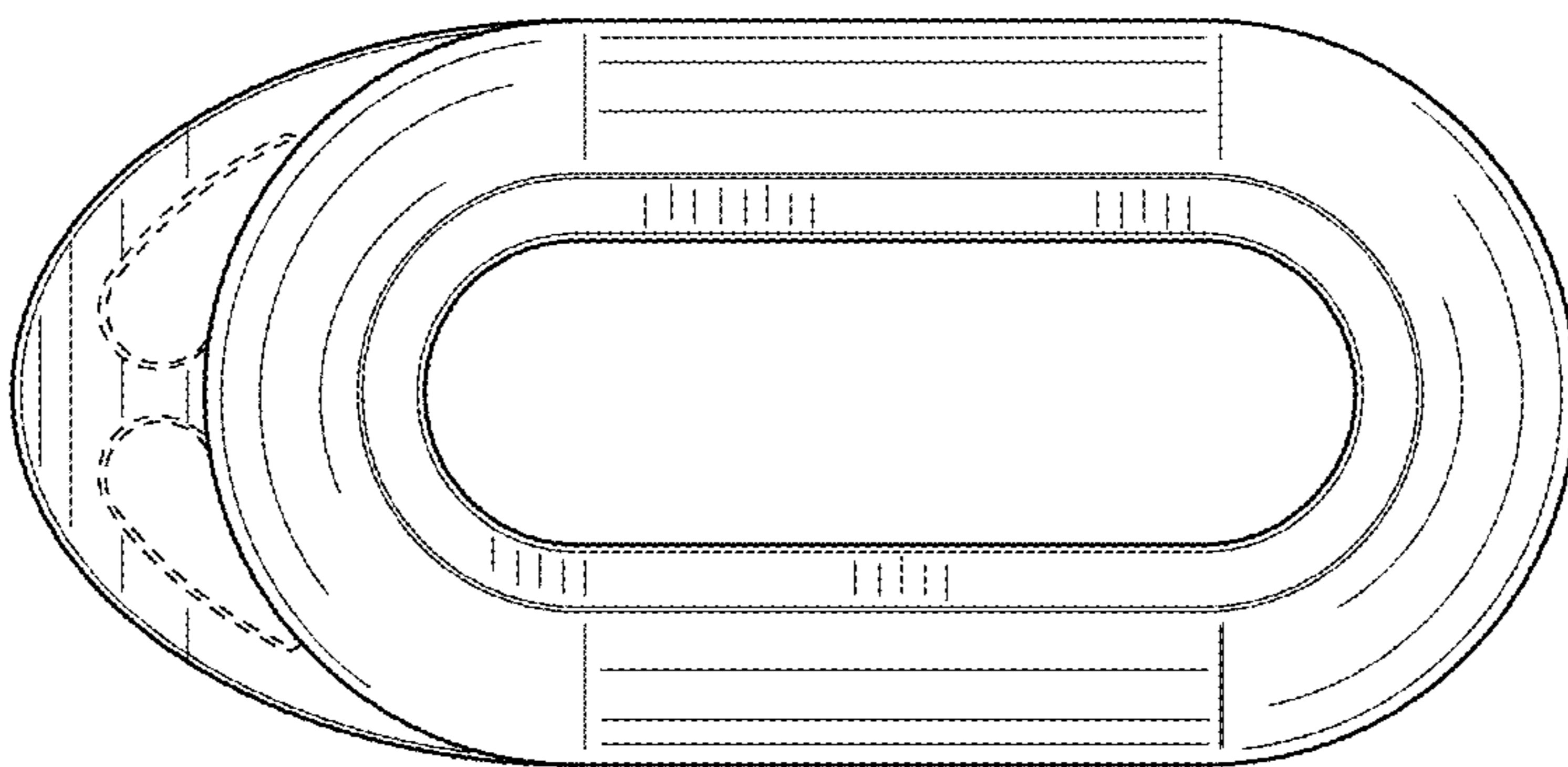


FIG. 18