



US00D834300S

(12) **United States Design Patent**
Sapara, Jr.

(10) **Patent No.:** **US D834,300 S**
(45) **Date of Patent:** **** Nov. 27, 2018**

- (54) **CHEMISTRY DELIVERY DEVICE**
- (71) Applicant: **Blackhawk Tool & Machine, LLC**,
Perrysburg, OH (US)
- (72) Inventor: **Michael A. Sapara, Jr.**, Oregon, OH
(US)
- (73) Assignee: **Blackhawk Tool & Machine, LLC**,
Perrysburg, OH (US)
- (**) Term: **15 Years**
- (21) Appl. No.: **29/583,748**
- (22) Filed: **Nov. 8, 2016**
- (51) **LOC (11) Cl.** **03-01**
- (52) **U.S. Cl.**
USPC **D3/201; D32/29.1**
- (58) **Field of Classification Search**
USPC D3/271.1, 201; D23/260, 261, 267, 268;
D21/713, 498; D30/160, 121; 43/131;
119/51.01, 51.11, 707; 4/309, 222, 222.1,
4/286, 292, 294; 239/57, 60; D32/29.1,
D32/30; 428/36.5, 36.3, 36.8
CPC . E03D 2009/024; E03D 13/005; E03D 9/032;
A01M 1/2055; A01M 29/12
See application file for complete search history.

- 5,008,867 A * 4/1991 Ko G04B 19/21
368/223
- 5,020,438 A * 6/1991 Brown F42B 10/04
102/436
- 5,165,119 A * 11/1992 Yamato E03D 9/032
4/222.1

(Continued)

OTHER PUBLICATIONS

Eco Drain System Sink Ball (YouTube), available Jan. 7, 2014, [online], [site visited Nov. 16, 2017]. Video available from internet, <URL: <https://www.youtube.com/watch?v=qD3mX7rlcy8>>.*

(Continued)

Primary Examiner — Cathron C Brooks

Assistant Examiner — W. A. Teddy Falloway

(74) *Attorney, Agent, or Firm* — McKee, Voorhees & Sease, PLC

(57) **CLAIM**

I claim the ornamental design for a chemistry delivery device, as shown and described.

DESCRIPTION

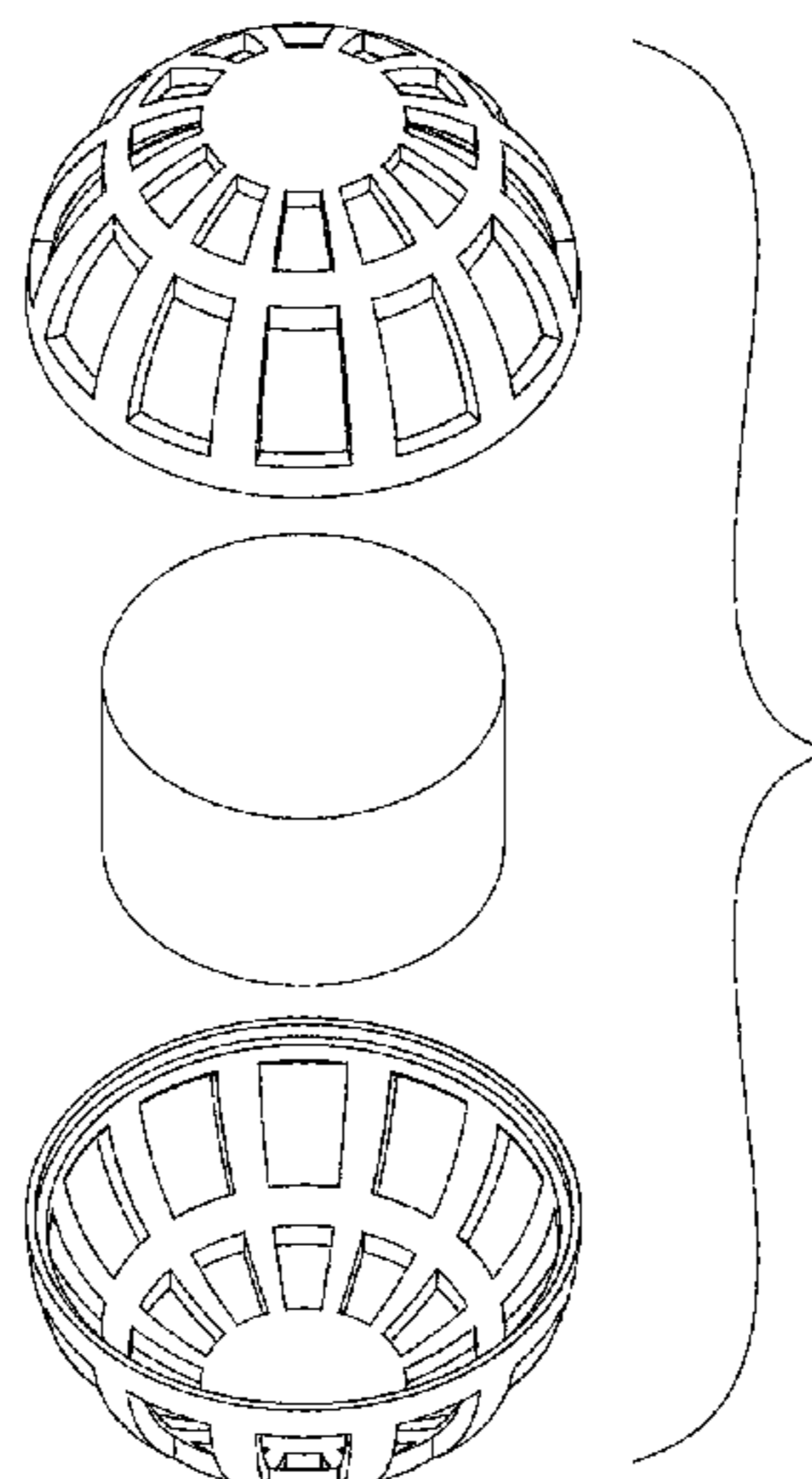
FIG. 1 is a perspective view of a chemistry delivery device according to an embodiment of the invention;
 FIG. 2 is an exploded perspective view of the chemistry delivery device of FIG. 1, including a puck-shaped chemistry;
 FIG. 3 is a side view of FIG. 1;
 FIG. 4 is an exploded side view of the chemistry delivery device of FIG. 1, including a side view of a puck-shaped chemistry;
 FIG. 5 is an exploded perspective view of the chemistry delivery device of FIG. 1, including a puck-shaped chemistry portion placed in the interior of the device;
 FIG. 6 is a top view of an alternative embodiment of the chemistry delivery device of FIG. 1; and,
 FIG. 7 is a view of an alternative embodiment of the chemistry delivery device of FIG. 1.

1 Claim, 4 Drawing Sheets

(56) **References Cited**

U.S. PATENT DOCUMENTS

- 3,706,140 A * 12/1972 Brillaud D06F 58/203
118/726
- 4,103,367 A * 8/1978 Kaufer E03D 9/032
4/222
- 4,574,403 A * 3/1986 Dintemann E03D 9/032
4/222
- 4,890,838 A * 1/1990 Rudell A63F 9/00
273/138.1
- 4,991,847 A * 2/1991 Rudell A63F 9/00
273/138.1



(56)

References Cited

U.S. PATENT DOCUMENTS

D332,302 S * 1/1993 Brown D23/261
 D353,445 S * 12/1994 Morad D23/261
 D412,198 S * 7/1999 Bonelli D23/208
 6,098,571 A * 8/2000 Axelrod A01K 15/025
 119/707
 6,174,577 B1 * 1/2001 Vitorino D06F 58/203
 428/36.5
 D464,107 S * 10/2002 Holmes D23/208
 D511,029 S * 10/2005 Willinger D21/713
 D612,914 S * 3/2010 Morad D23/261
 7,917,018 B2 * 3/2011 Schumacher A01M 1/2033
 239/35
 8,181,282 B2 * 5/2012 Butter-Jentsch E03D 9/032
 4/222
 D680,698 S * 4/2013 McWilliams D30/121
 D702,326 S * 4/2014 Dannrup D23/261
 D746,007 S * 12/2015 Oh D32/29
 9,259,499 B2 * 2/2016 Atkinson A61L 9/127
 D776,371 S * 1/2017 Tome D30/160
 D781,401 S * 3/2017 Yan D23/261
 D787,631 S * 5/2017 Gerhards D23/208
 9,661,829 B2 * 5/2017 Sternal A01K 15/027
 D789,529 S * 6/2017 Davis D24/130
 D797,929 S * 9/2017 Davis D24/130
 D802,157 S * 11/2017 Kasuto D24/224
 2003/0080197 A1 * 5/2003 Tuomikoski A01M 31/008
 239/44
 2005/0120972 A1 * 6/2005 Aboujaoude A01K 15/025
 119/707
 2011/0289665 A1 * 12/2011 Lees E03D 13/00
 4/222

2012/0318210 A1 * 12/2012 Anderson A01K 5/0114
 119/710
 2015/0000183 A1 * 1/2015 Sapara, Jr. A01M 29/12
 43/131
 2016/0007572 A1 * 1/2016 Aked-Hurditch A01K 27/005
 119/707

OTHER PUBLICATIONS

Sink Defender (YouTube), available Jun. 24, 2013, [online], [site visited Dec. 11, 2017]. Video available from internet, <URL: <https://www.youtube.com/watch?v=Uwd4OlghpMM>.*

Hospesco Urinal Screen with Non-Para Block, available Jul. 6, 2013, [online], [site visited Jan. 8, 2018]. Available from internet, <URL: https://www.amazon.com/HOSPECO-01901-Health-Urinal-Non-Para/dp/B000HM6FG4/ref=pd_day0_328_2?encoding=UTF8&pd_rd_i=B000HM6FG4&pd_rd_r=QYBTNV2BYRTX8SKH88NP&pd_rd_w=Z64iK&pd_rd_wg=RQ2iP&psc=1&refRID=QYBTNV2BYRTX8SKH88NP.*

Silverline 225800 Down Pipe Filter Guard, available Jan. 25, 2014, [online], [site visited Dec. 11, 2017]. Available from internet, <URL: https://www.amazon.co.uk/Silverline-225800-Down-Filter-Guard/dp/B00I2WUAX0/ref=pd_sim_86_16?encoding=UTF8&psc=1&refRID=2AHWB584HRSKYMK5VGYV.*

Heavy Plastic Bra Ball Washing Cage, available Jul. 5, 2017, [online], [site visited Nov. 16, 2017]. Available from internet, <URL: <https://www.amazon.com/Heavy-Plastic-Ball-Dual-Washing/dp/B0711JG859>.*

Leaps & Bounds Lattice Ball Cat Toys, available Apr. 17, 2015, [online], [site visited Dec. 11, 2017]. Available from internet, <URL: https://www.amazon.com/Leaps-Bounds-Lattice-balls-Multi-Color/dp/B00OLYERAU/ref=sr_1_6?ie=UTF8&qid=1512976297&sr=8-6&keywords=lattice+ball.*

* cited by examiner

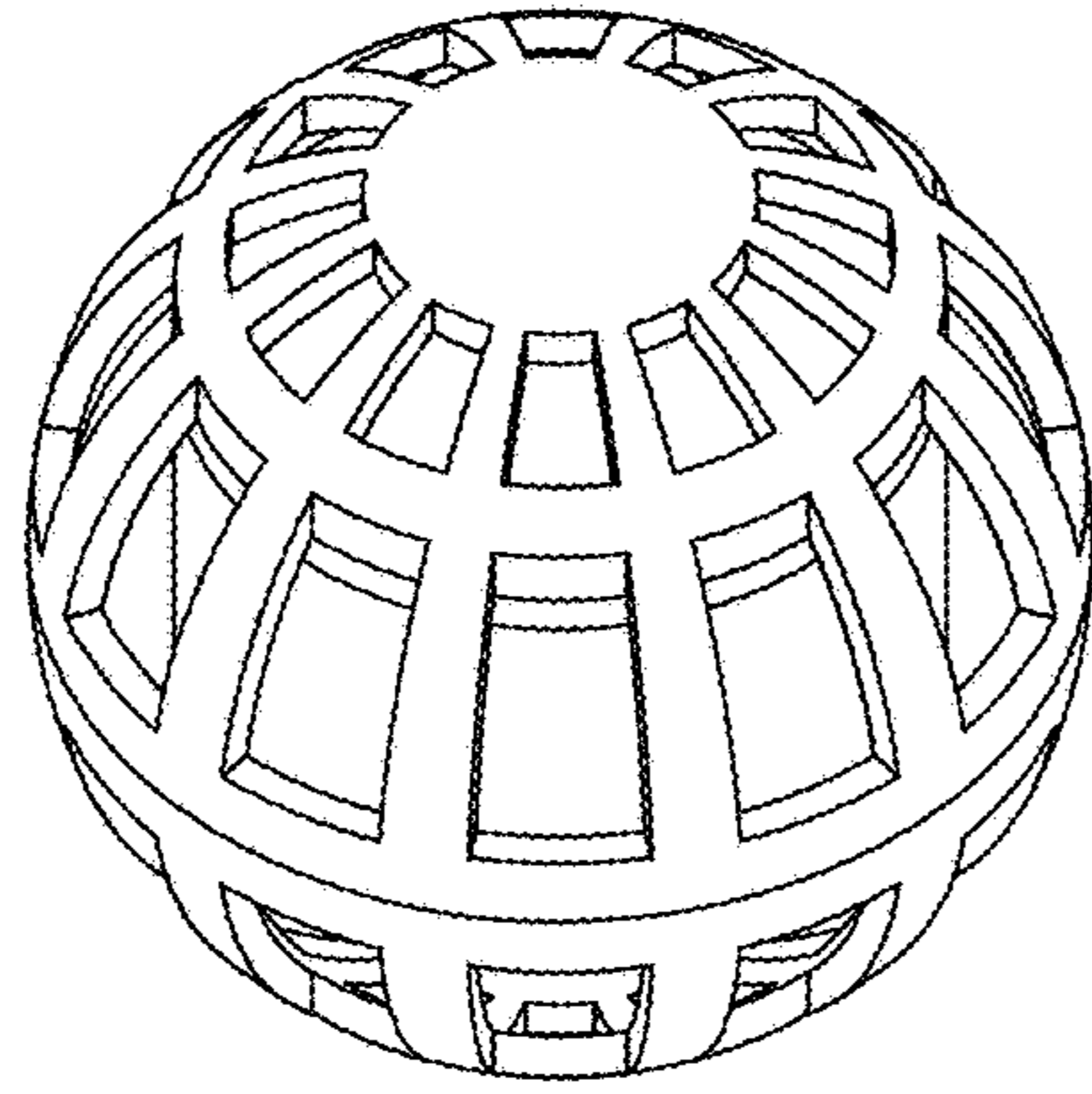


Fig. 1

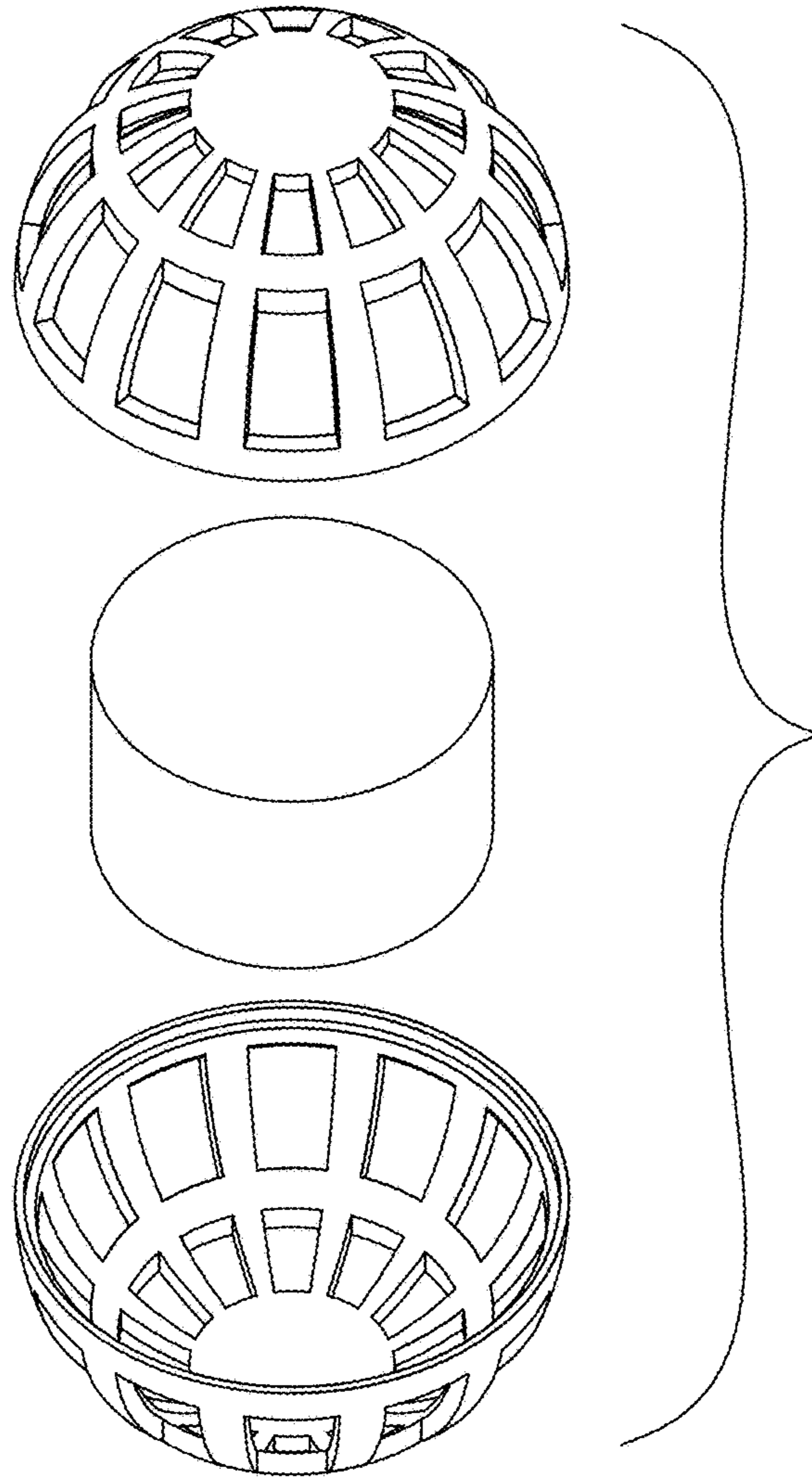


Fig. 2

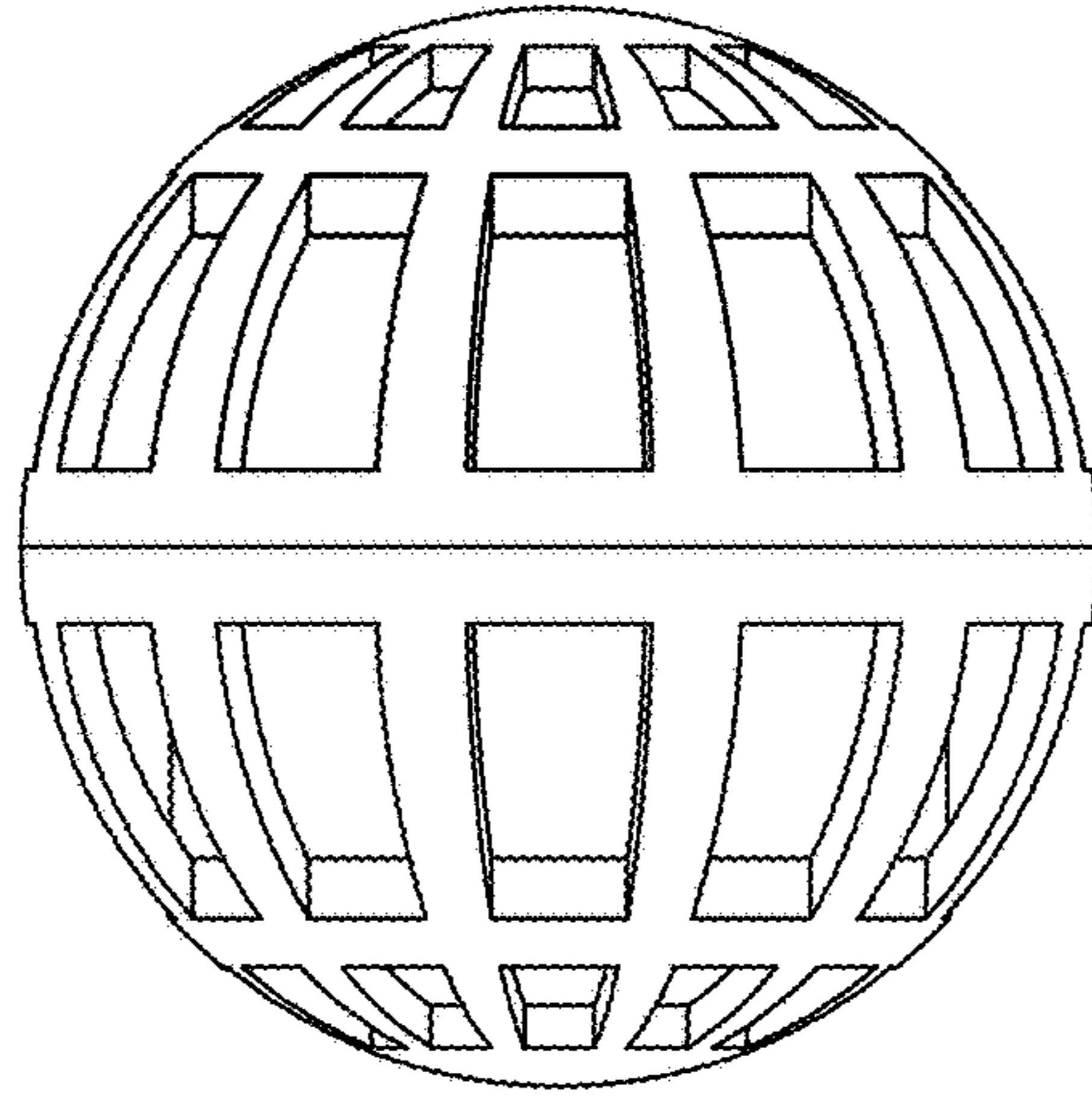


Fig. 3

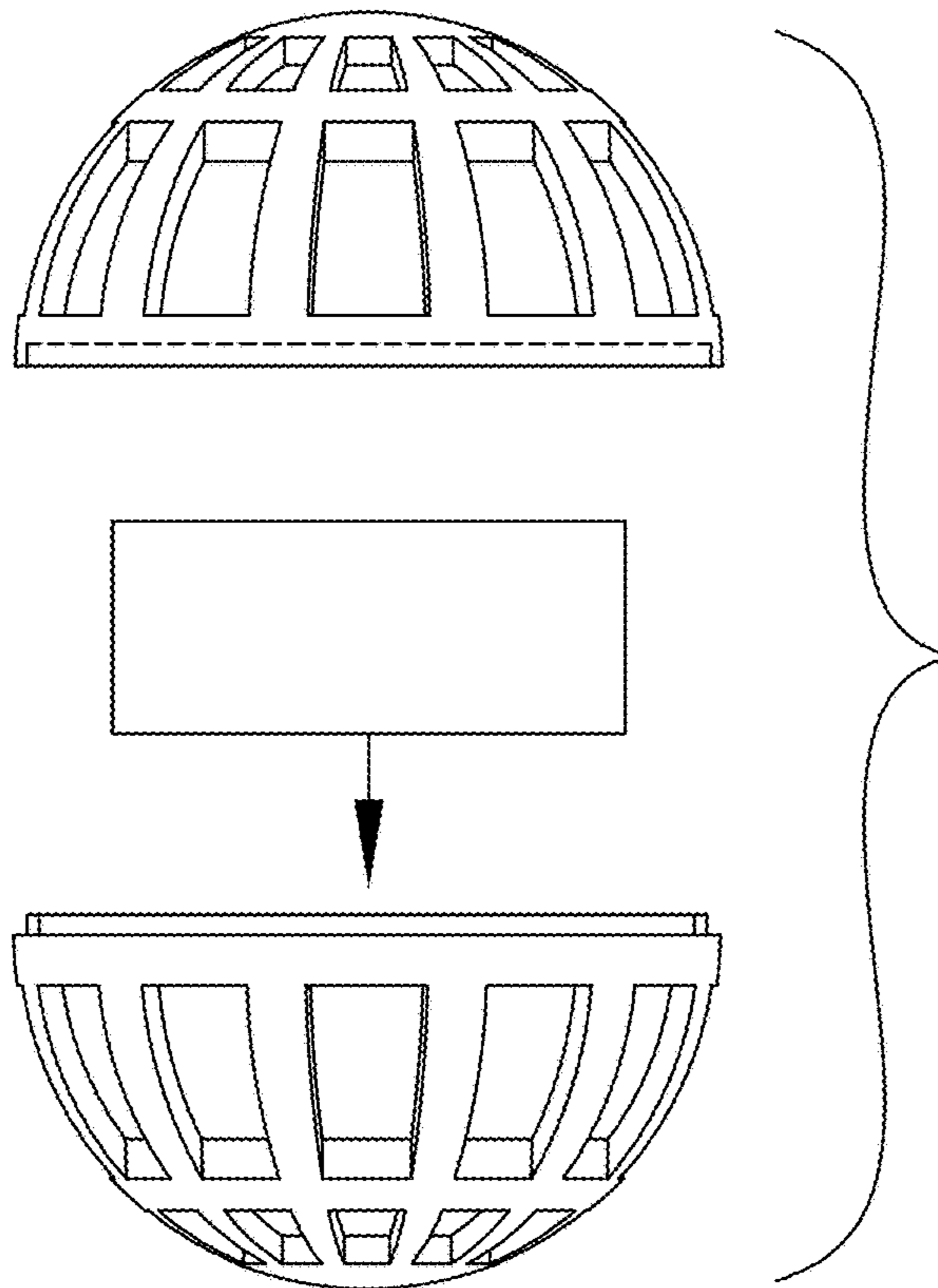


Fig. 4

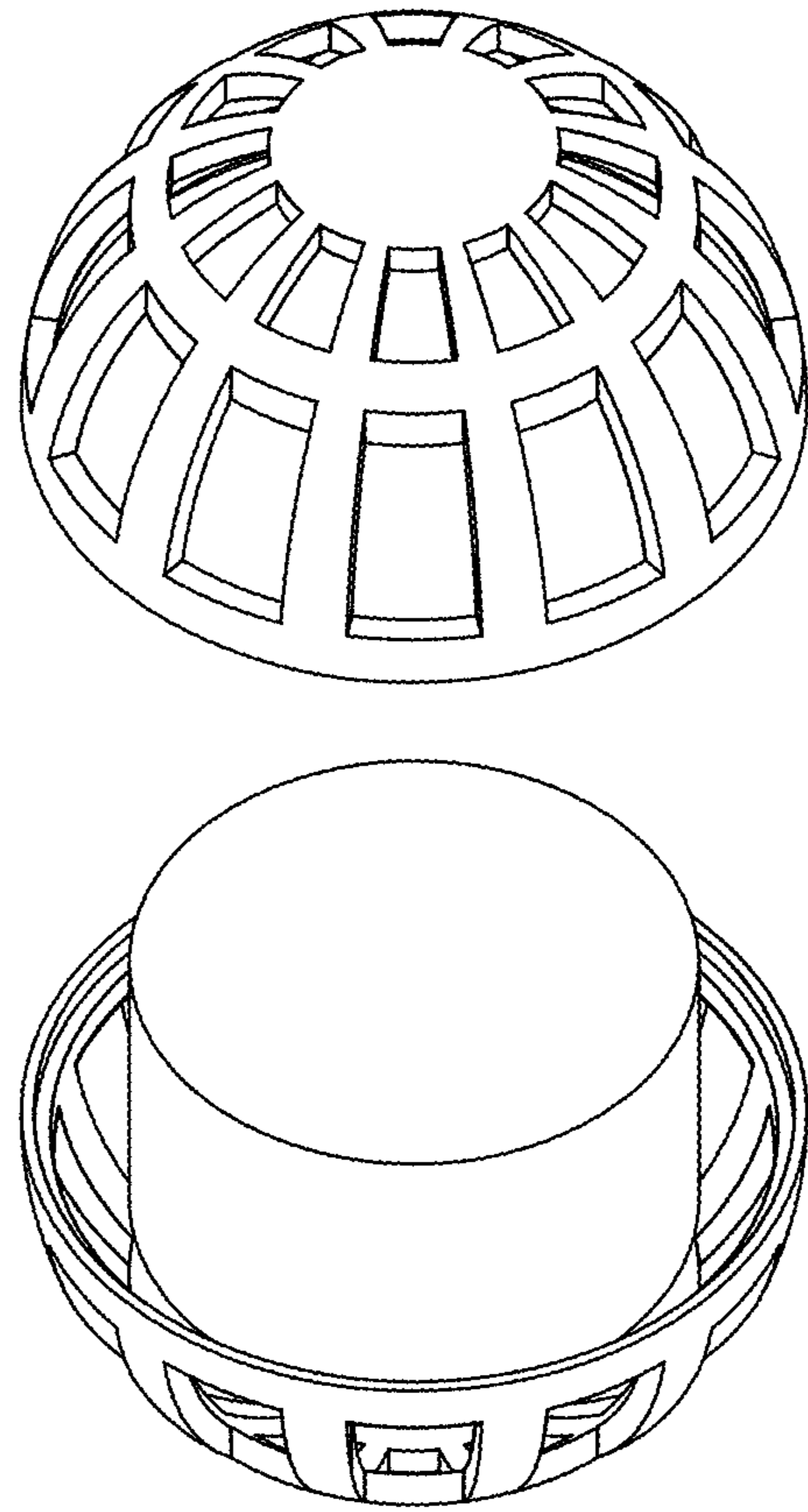


Fig. 5

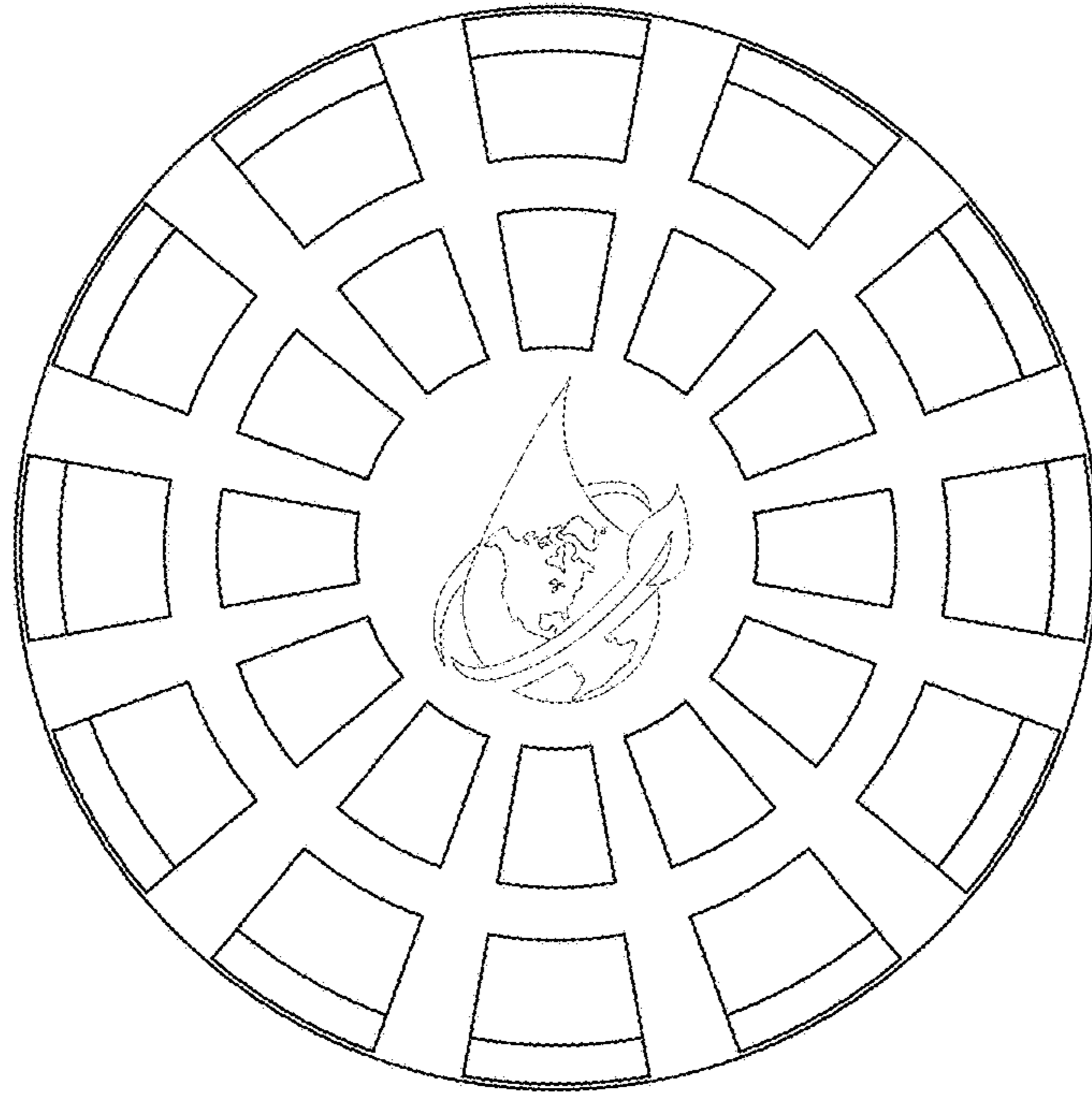


Fig. 6

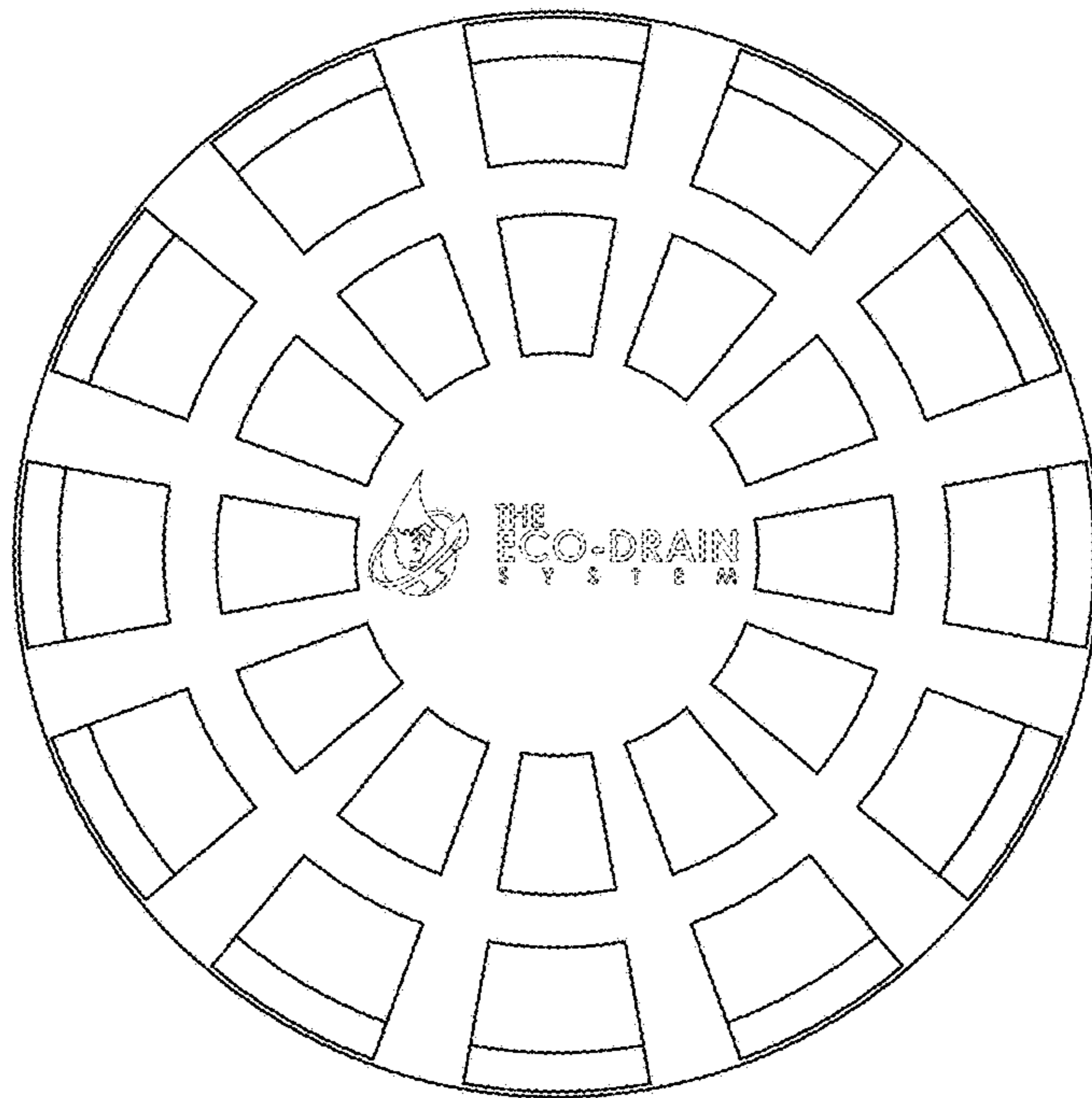


Fig. 7