



US00D834299S

(12) **United States Design Patent** (10) **Patent No.:** **US D834,299 S**  
**Van Langen** (45) **Date of Patent:** **\*\* Nov. 27, 2018**

- (54) **BAUBLE-POT**
- (71) Applicant: **Gerardus Nicolaas Maria Van Langen**, Heerhugowaard (NL)
- (72) Inventor: **Gerardus Nicolaas Maria Van Langen**, Heerhugowaard (NL)
- (\*\*) Term: **15 Years**
- (21) Appl. No.: **29/574,552**
- (22) Filed: **Aug. 16, 2016**
- (51) **LOC (11) Cl.** ..... **03-01**
- (52) **U.S. Cl.**  
 USPC ..... **D3/201; D11/152**
- (58) **Field of Classification Search**  
 USPC ..... D3/201, 205, 242, 273, 274, 275, 276, D3/279, 281, 282, 283, 284, 289, 292, D3/294, 295, 296, 297, 299, 301, 302, D3/901, 903, 905; D11/121, 131, 143, D11/145, 149, 152, 157  
 CPC ..... A45C 5/04; A45C 11/00; A45C 11/16  
 See application file for complete search history.

(56) **References Cited**

U.S. PATENT DOCUMENTS

- D85,253 S \* 9/1931 Matsuno ..... 119/256  
 3,650,384 A \* 3/1972 Pegg ..... A47F 3/14  
 211/1  
 D231,008 S \* 3/1974 Hullender ..... D26/51  
 D231,677 S \* 5/1974 Miller ..... 119/247  
 D299,445 S \* 1/1989 Lee ..... D11/145  
 D304,246 S \* 10/1989 Ross, Jr. .... D30/102  
 D318,935 S \* 8/1991 O'Connell ..... D11/145  
 5,056,463 A \* 10/1991 Wilkins ..... A01K 63/006  
 119/246  
 D336,061 S \* 6/1993 Kraselsky ..... D11/131  
 D356,523 S \* 3/1995 Rahr ..... D11/143

- D404,681 S \* 1/1999 Galemeau ..... D11/121  
 5,970,918 A \* 10/1999 Bargy ..... A01K 63/003  
 119/246  
 D473,271 S \* 4/2003 Yoshida ..... D21/483  
 D491,484 S \* 6/2004 Tyler ..... D11/121  
 D603,291 S \* 11/2009 Wessling ..... D11/117  
 D608,059 S \* 1/2010 McNaughton ..... D22/146  
 D609,607 S \* 2/2010 Hsu ..... D11/158  
 D614,989 S \* 5/2010 Nakamura ..... D11/121  
 D670,040 S \* 10/2012 Aboujaoude ..... D30/117  
 D681,885 S \* 5/2013 Pitter ..... D30/121  
 D687,341 S \* 8/2013 Rosenkotter ..... D11/121  
 D690,057 S \* 9/2013 Wehr ..... D21/714  
 D713,265 S \* 9/2014 Cooper ..... D11/121  
 D733,690 S \* 7/2015 Zukowski ..... D14/228  
 9,326,494 B2 \* 5/2016 Allen ..... A01K 63/06  
 D784,849 S \* 4/2017 Liu ..... D11/121  
 D795,505 S \* 8/2017 Yang ..... D30/101  
 D809,391 S \* 2/2018 Funk ..... D9/500

\* cited by examiner

*Primary Examiner* — Manpreet S Matharu  
*Assistant Examiner* — Holly E Thurman  
 (74) *Attorney, Agent, or Firm* — QuickPatents, LLC;  
 Kevin Prince

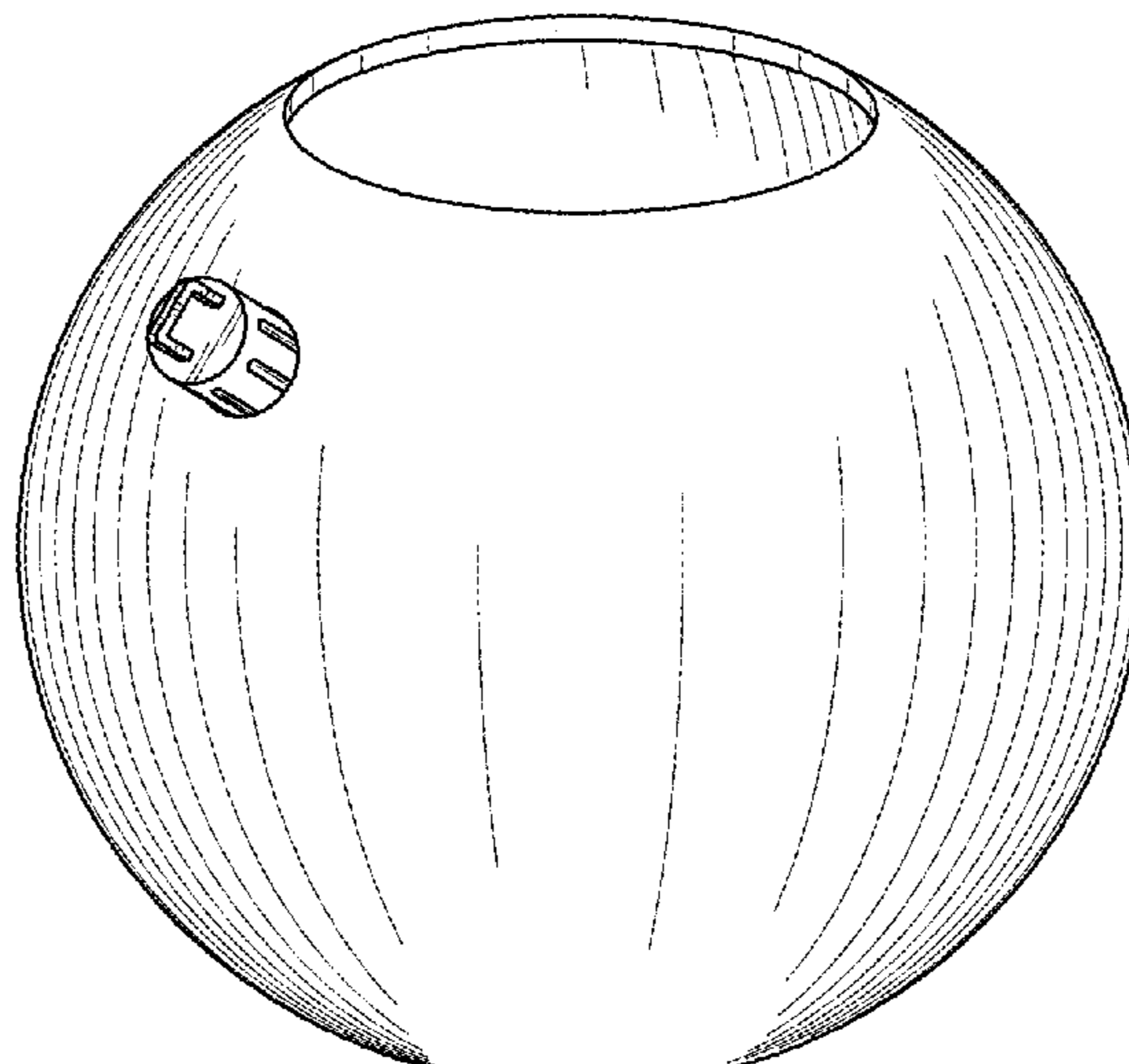
(57) **CLAIM**

I claim the ornamental design for a bauble-pot, as shown and described.

**DESCRIPTION**

FIG. 1 is a perspective view of a bauble-pot, showing my new design;  
 FIG. 2 is a right-side elevational view thereof;  
 FIG. 3 is a left-side elevational view thereof;  
 FIG. 4 is a rear elevational view thereof;  
 FIG. 5 is a front elevational view thereof;  
 FIG. 6 is a top plan view thereof; and,  
 FIG. 7 is a bottom plan view thereof.

**1 Claim, 4 Drawing Sheets**



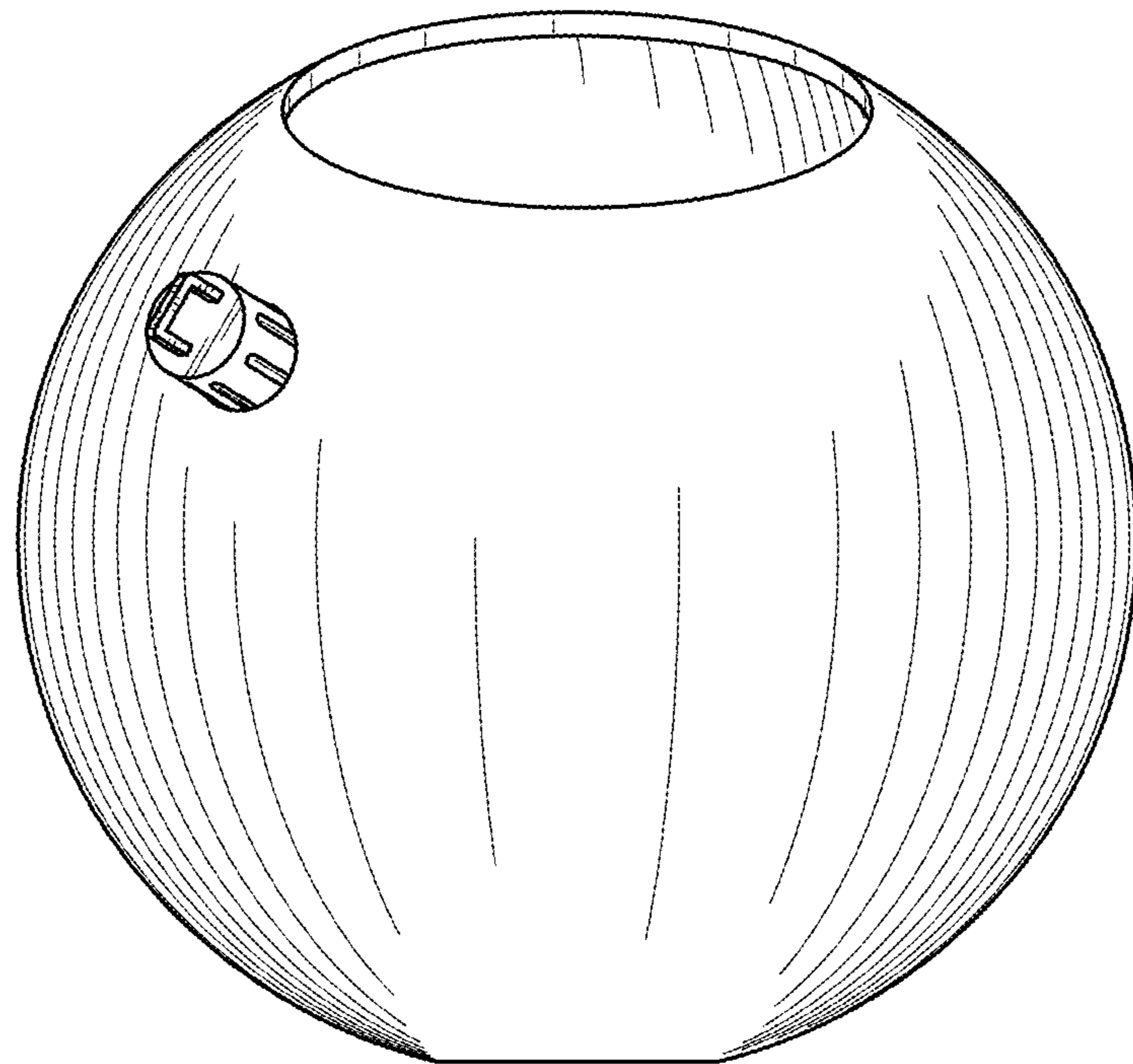


FIG. 1

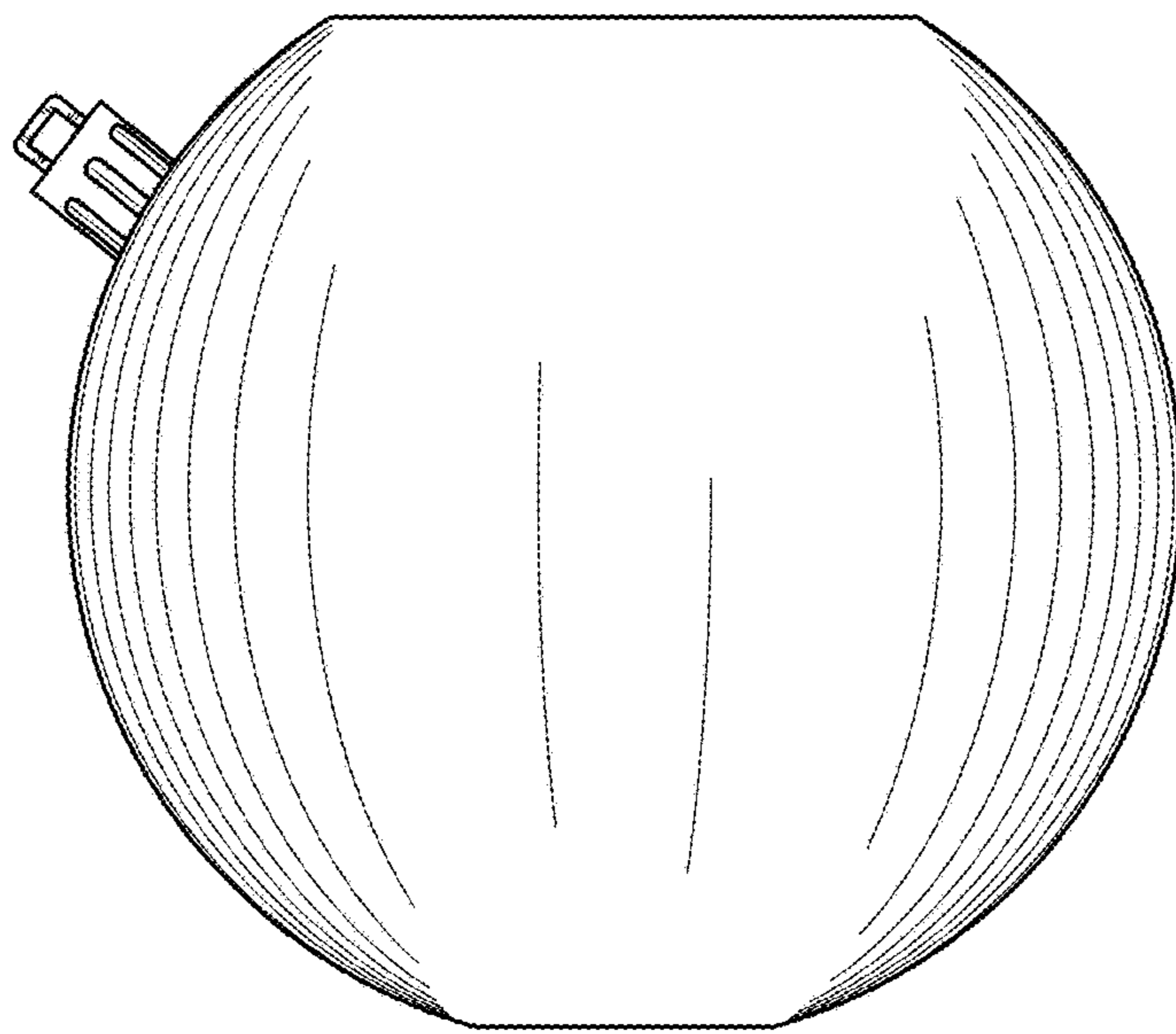


FIG. 2

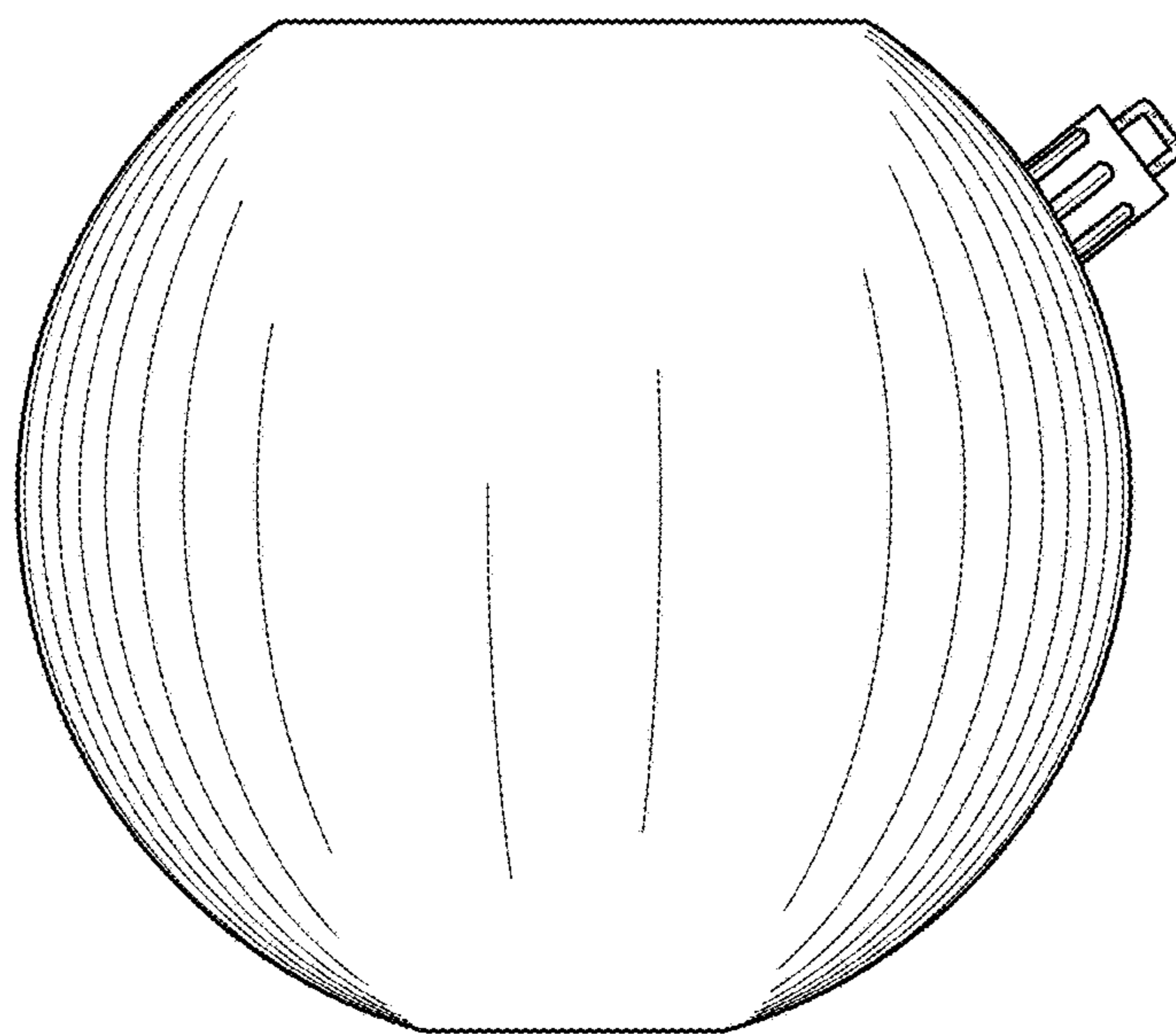


FIG. 3

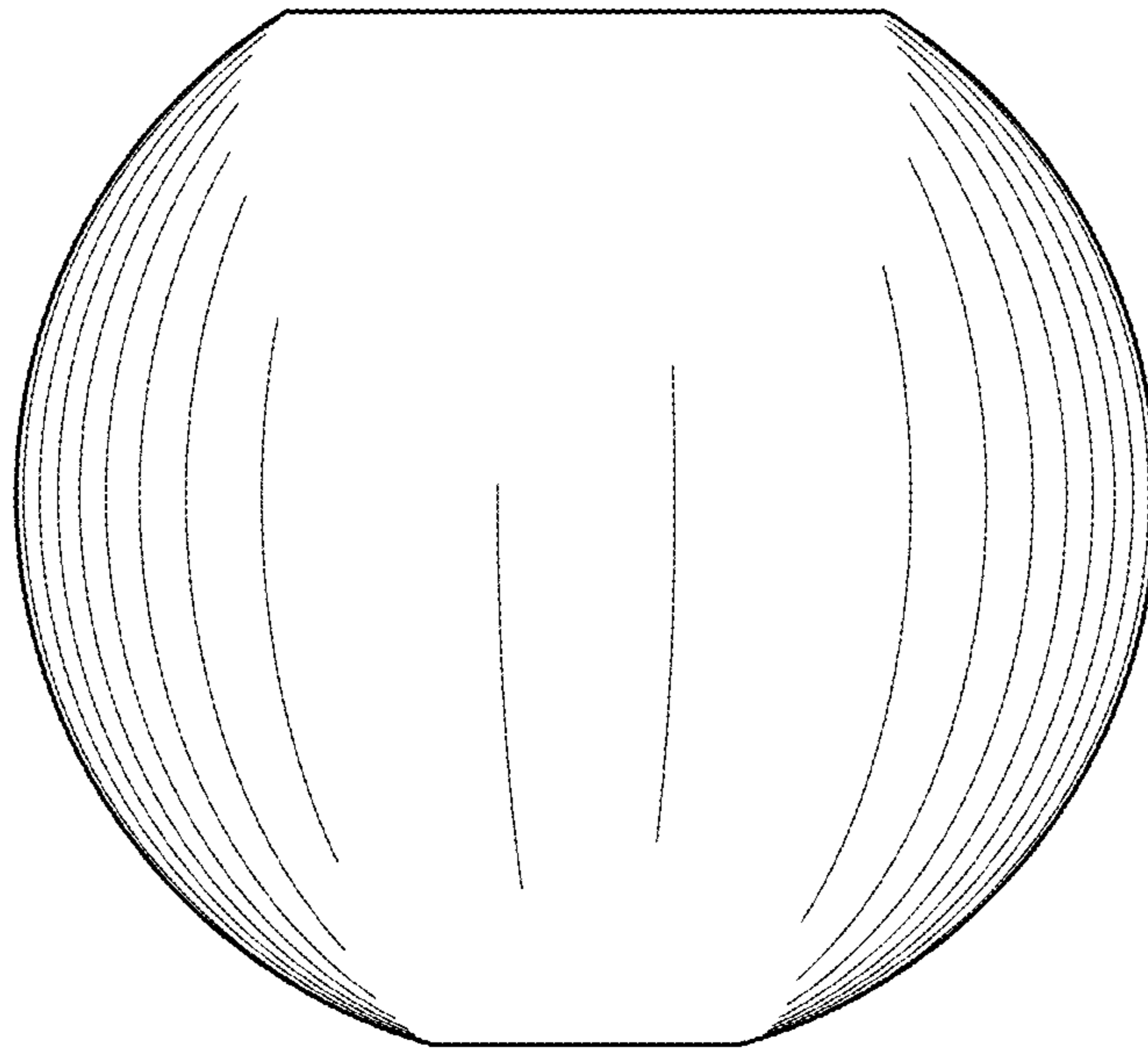


FIG. 4

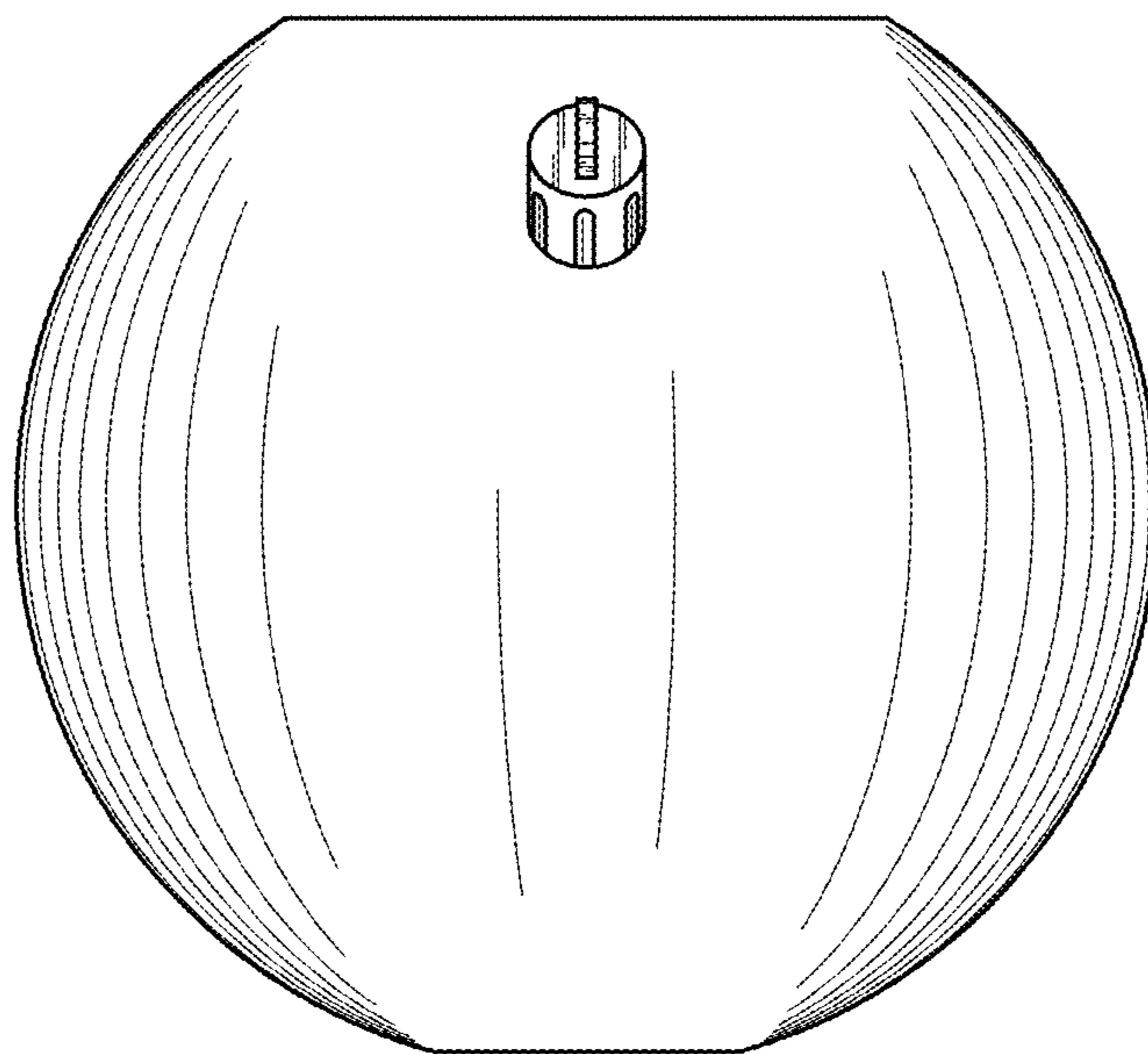


FIG. 5



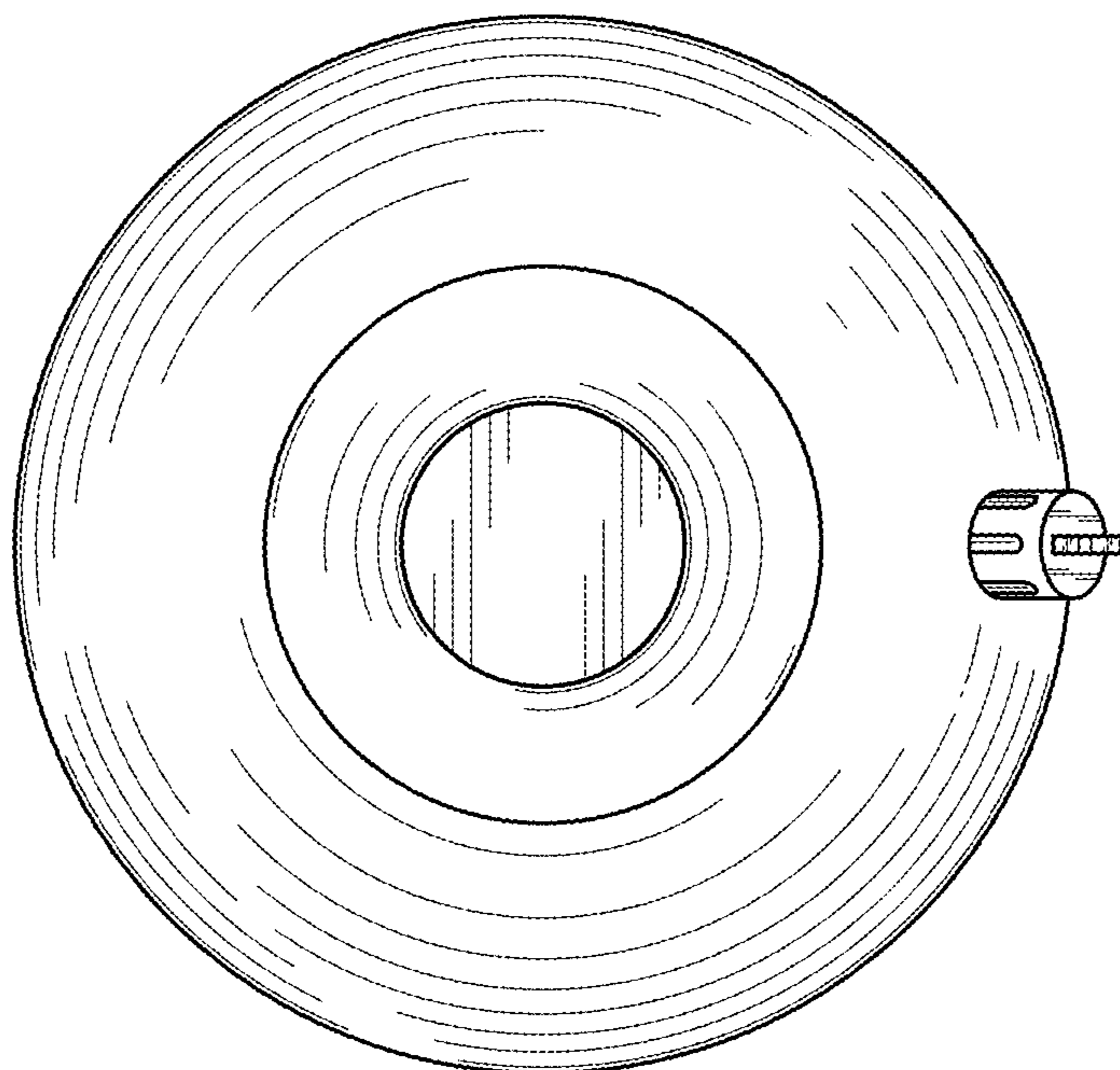


FIG. 6

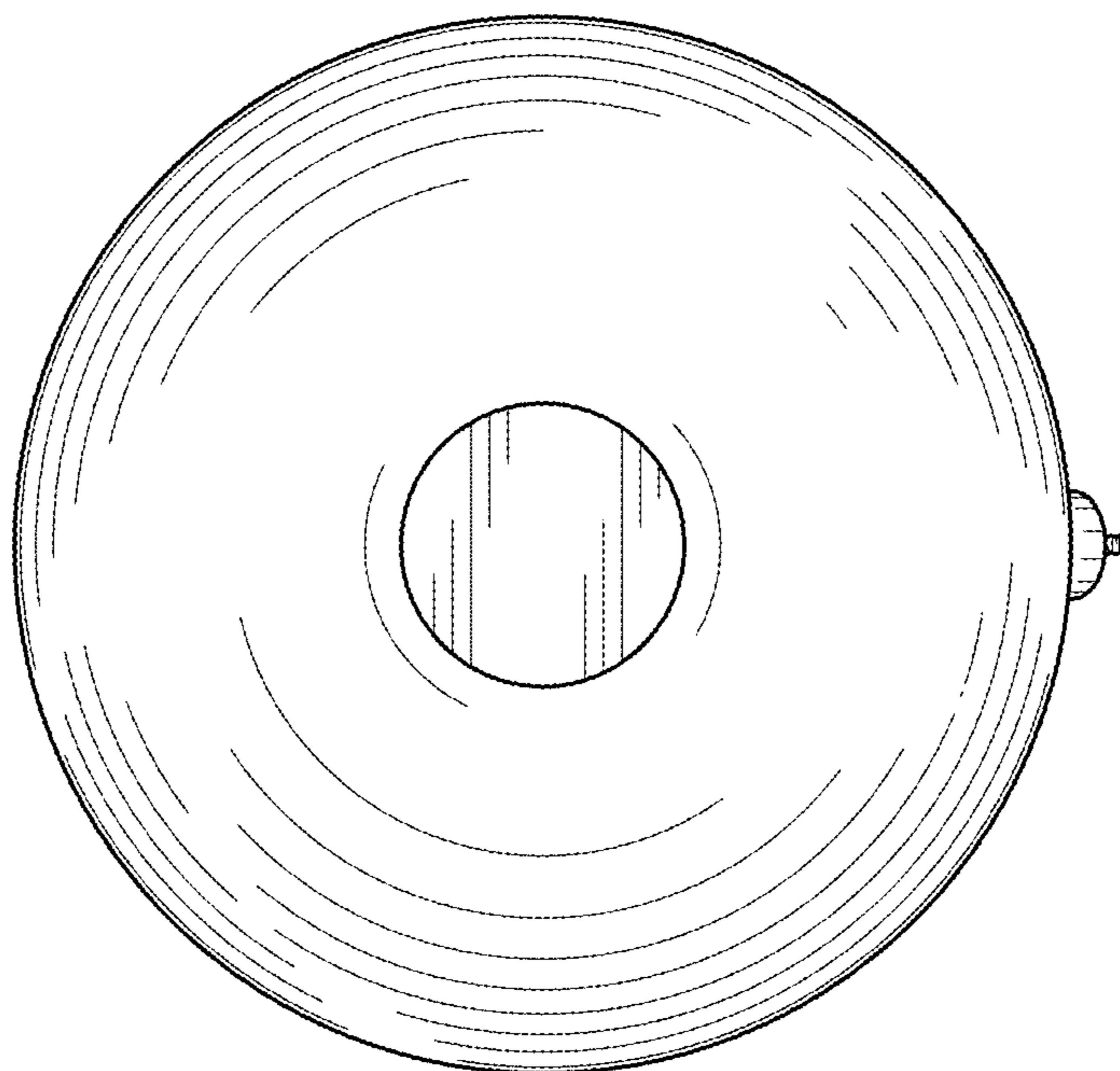


FIG. 7