



US00D834298S

(12) **United States Design Patent** (10) **Patent No.:** **US D834,298 S**
Waller (45) **Date of Patent:** **** Nov. 27, 2018**

- (54) **THREAD CUTTER AND CADDY COMBINATION**
- (71) Applicant: **Prym Consumer USA Inc.,**
Spartanburg, SC (US)
- (72) Inventor: **Victoria Waller,** San Mateo, CA (US)
- (73) Assignee: **PRYM CONSUMER USA INC.,**
Spartanburg, SC (US)
- (**) Term: **15 Years**
- (21) Appl. No.: **29/623,464**
- (22) Filed: **Oct. 25, 2017**
- (51) **LOC (11) Cl.** **03-01**
- (52) **U.S. Cl.**
USPC **D3/20**
- (58) **Field of Classification Search**
USPC ... D3/18, 20, 21, 23, 26, 201, 315, 901, 905
CPC D05B 91/00; D05B 91/12; D05B 91/14;
D05B 91/16
See application file for complete search history.

- 2,923,451 A * 2/1960 Hokerk D05B 91/14
223/107
- D324,947 S * 3/1992 Kuwabara D3/20
- D346,682 S * 5/1994 Trovato D3/308
- D476,482 S * 7/2003 Yap D3/315
- D623,441 S * 9/2010 Schaeffer D3/276
- D721,496 S * 1/2015 Hofem D3/315
- D759,368 S * 6/2016 Spoerri D3/20

* cited by examiner

Primary Examiner — John Windmuller
Assistant Examiner — Steven J Czyz
 (74) *Attorney, Agent, or Firm* — J. Bennett Mullinax, LLC

(56) **References Cited**

U.S. PATENT DOCUMENTS

- 875,725 A * 1/1908 Murphy et al. D05B 87/00
223/99
- 1,134,895 A * 4/1915 Nieberg et al. A01G 3/08
30/151
- 1,541,624 A * 6/1925 Chute B26B 27/00
30/290
- 1,768,089 A * 6/1930 Lindner B23G 5/06
408/217
- 1,828,208 A * 10/1931 Taylor et al. 223/107
- D97,427 S * 11/1935 Miller et al. D3/20
- D111,645 S * 10/1938 Romberg et al. D3/20
- D113,143 S * 1/1939 Karstadt et al. D3/20
- D151,013 S * 9/1948 Spence et al. D3/20
- 2,564,949 A * 8/1951 Bell D05B 91/12
112/258
- 2,624,116 A 1/1953 Steinke
- D176,555 S * 1/1956 Rosamond et al. D3/20

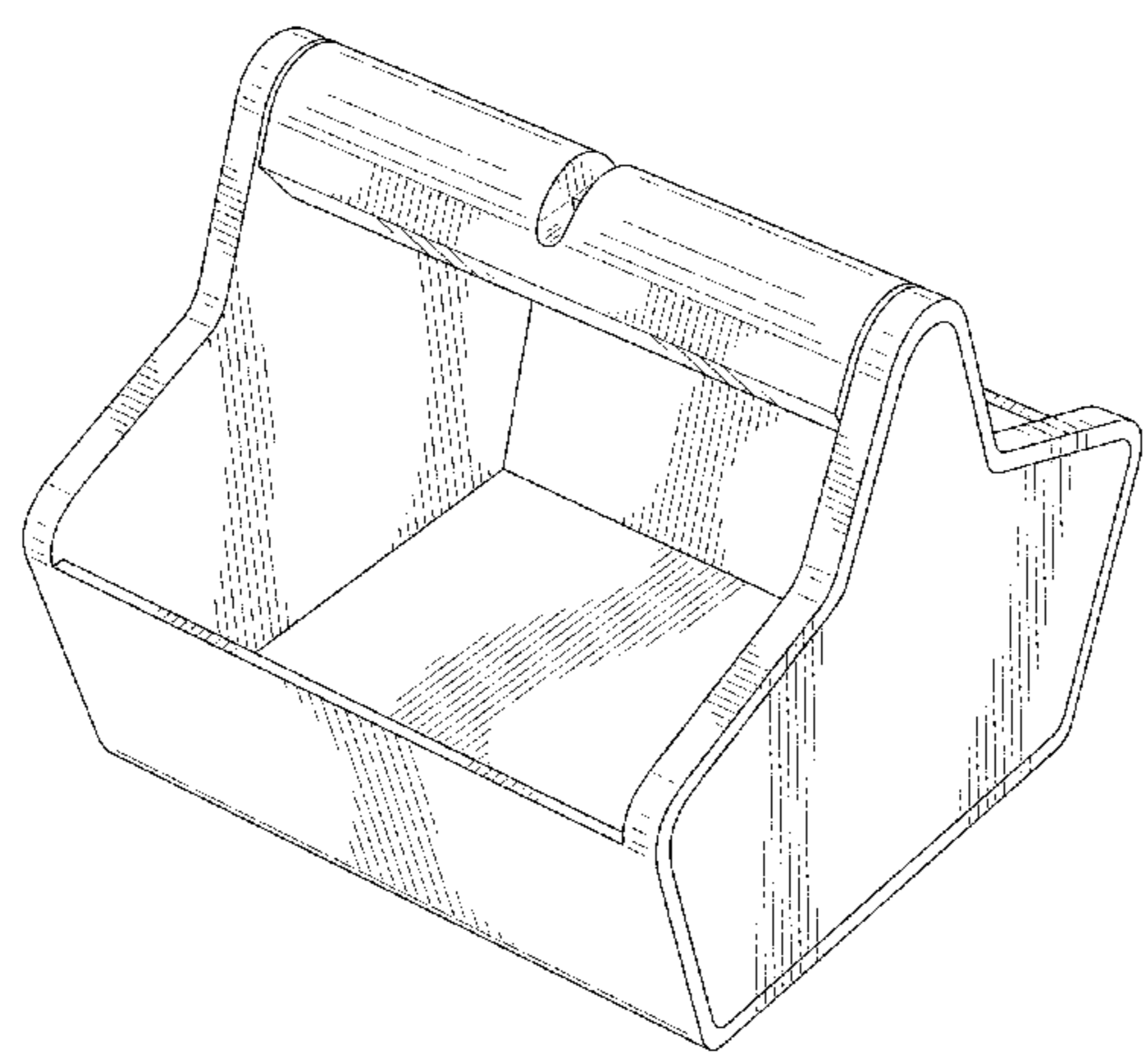
(57) **CLAIM**

The ornamental design for a thread cutter and caddy combination, as shown and described.

DESCRIPTION

FIG. 1 is a perspective view of the thread cutter and caddy combination according to the present design;
 FIG. 2 is a front view of the thread cutter and caddy combination as shown in FIG. 1, the rear view being a mirror image thereof;
 FIG. 3 is a right side view of the thread cutter and caddy combination as shown in FIG. 1, the left side being a mirror image thereof;
 FIG. 4 is top view of the thread cutter and caddy combination as shown in FIG. 1;
 FIG. 5 is a bottom view of the thread cutter and caddy combination as shown in FIG. 1; and,
 FIG. 6 is a perspective view with dashed lines showing environmental features of the thread cutter and caddy combination as shown in FIG. 1.
 The broken lines depict environment that forms no part of the claimed design.

1 Claim, 6 Drawing Sheets



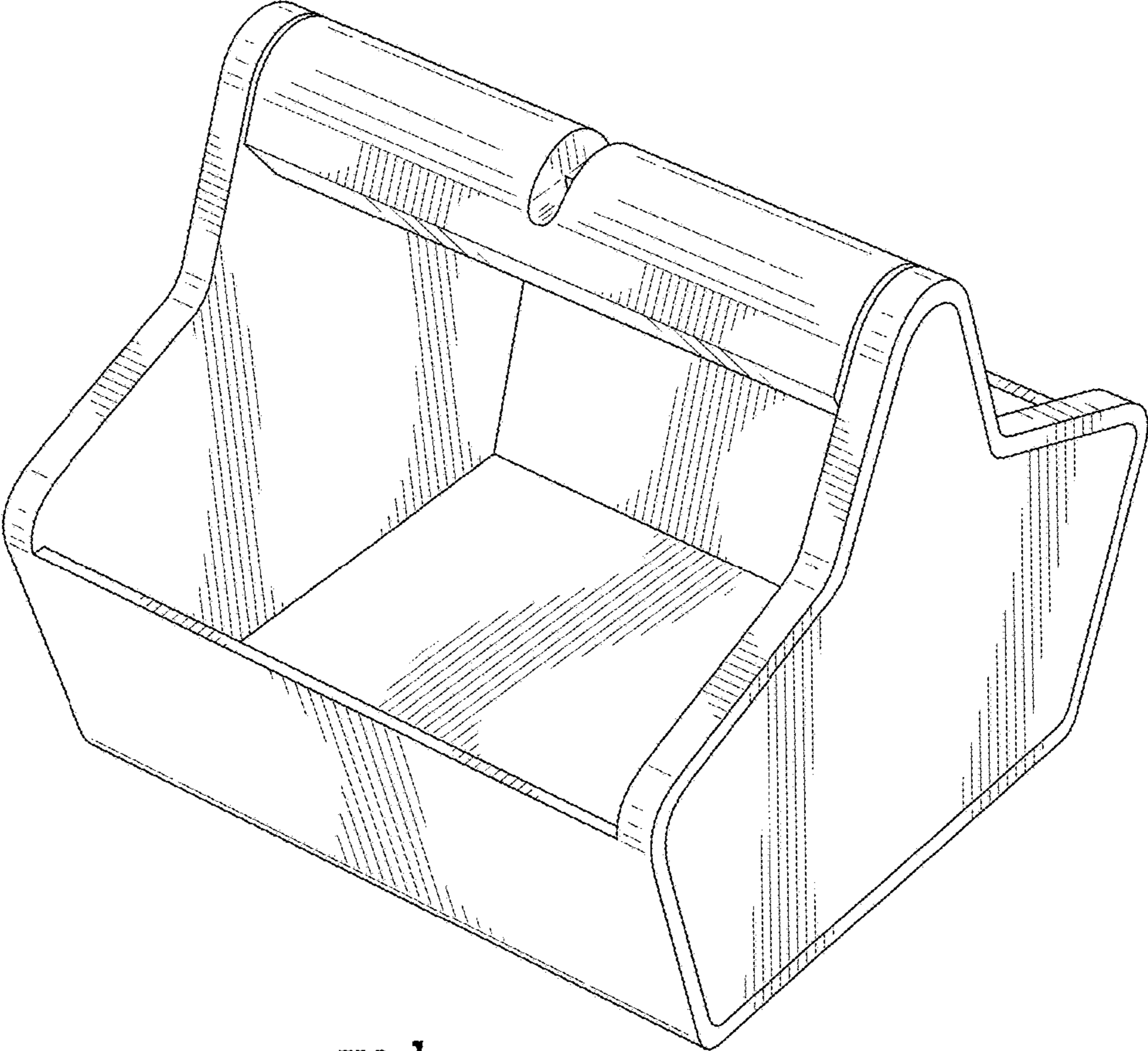


FIG. 1

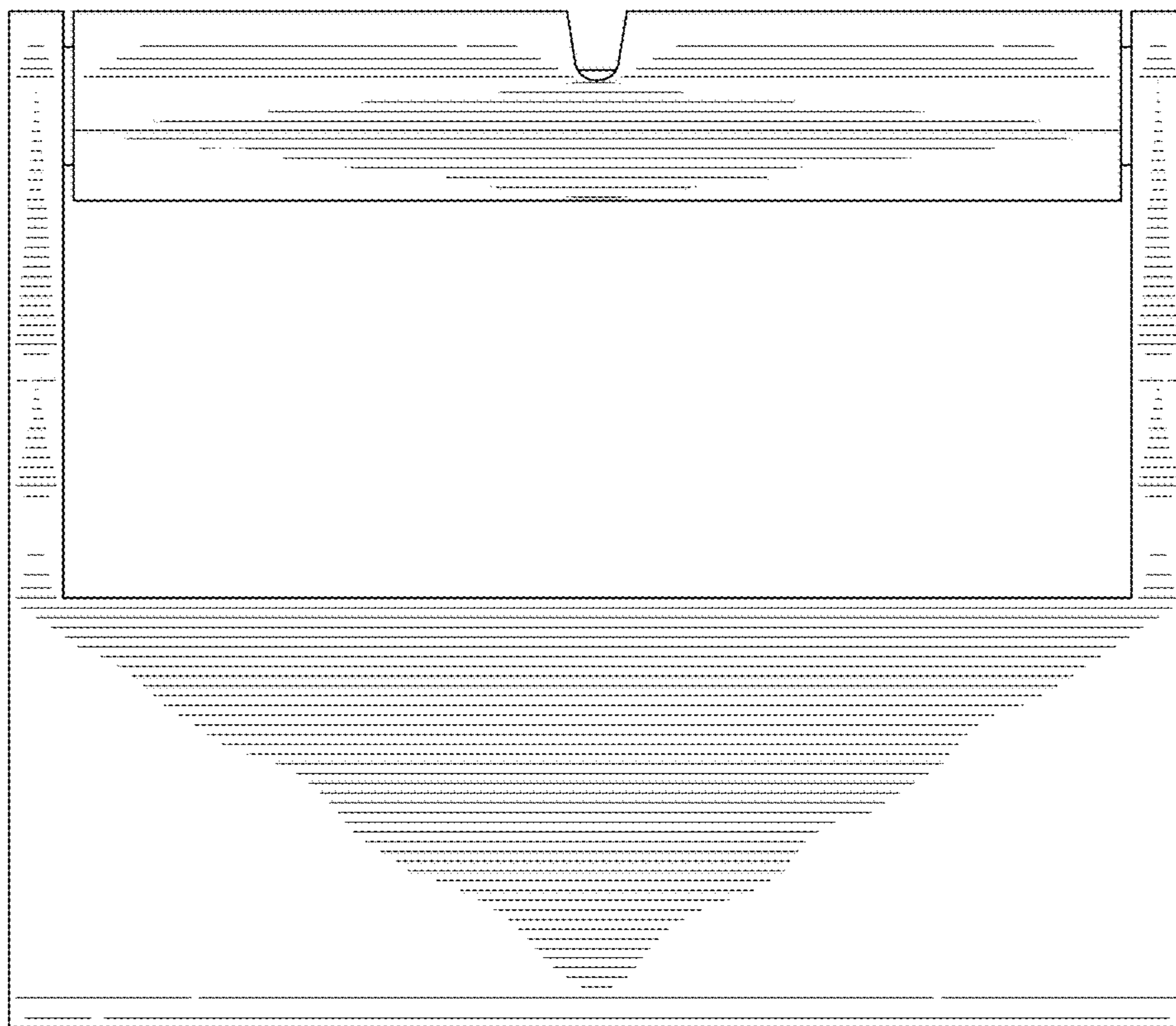


FIG. 2

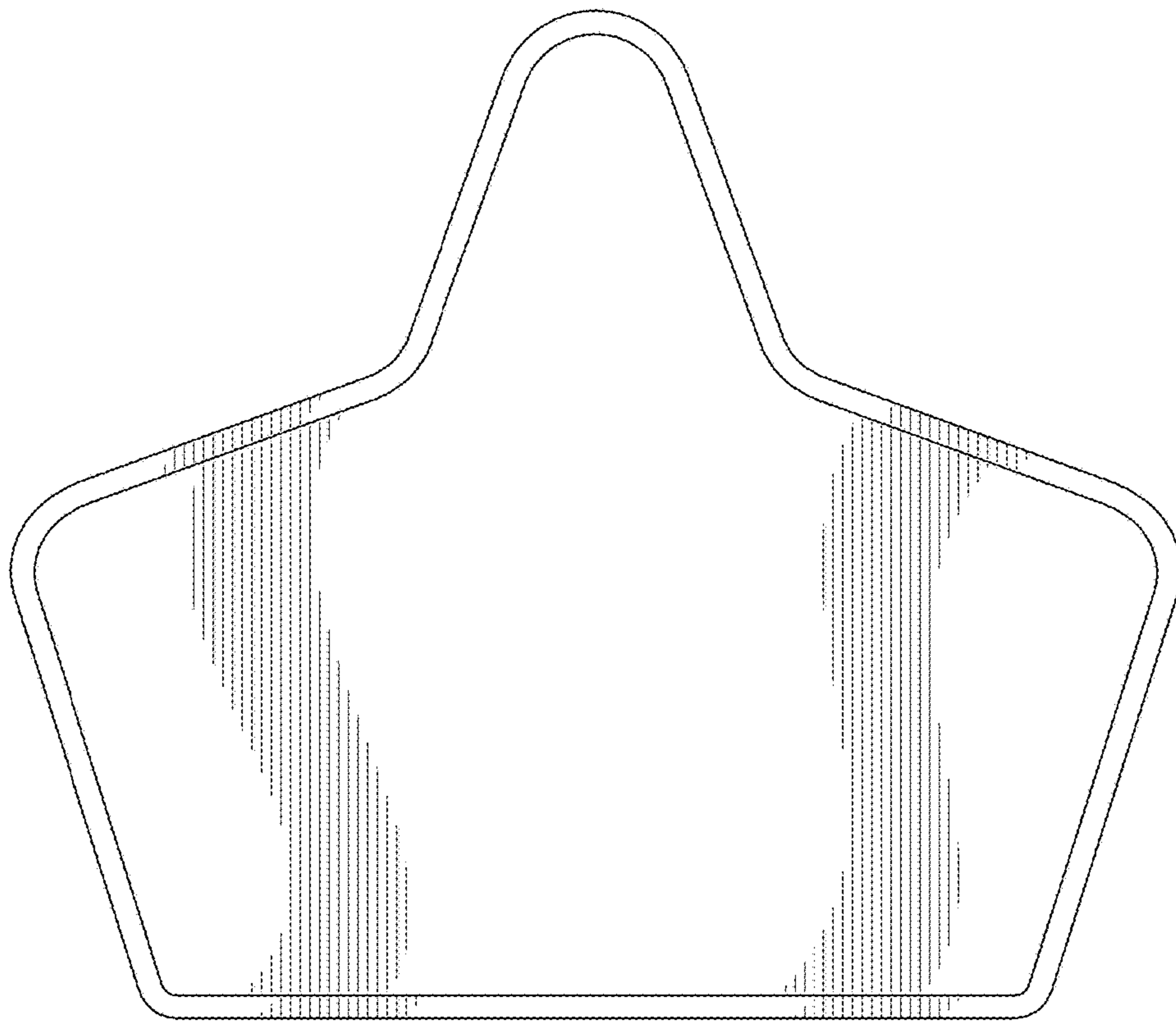


FIG. 3

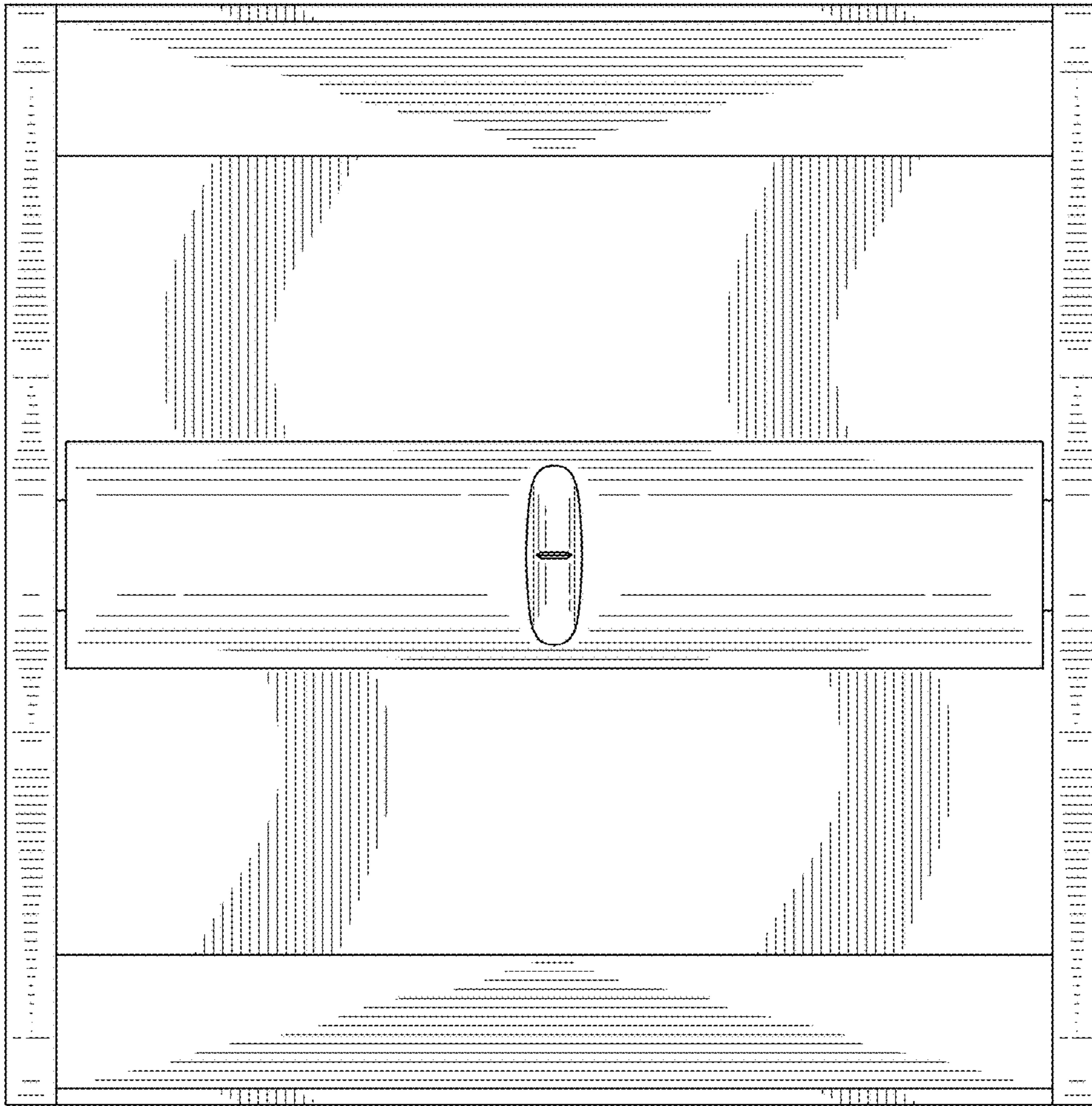


FIG. 4

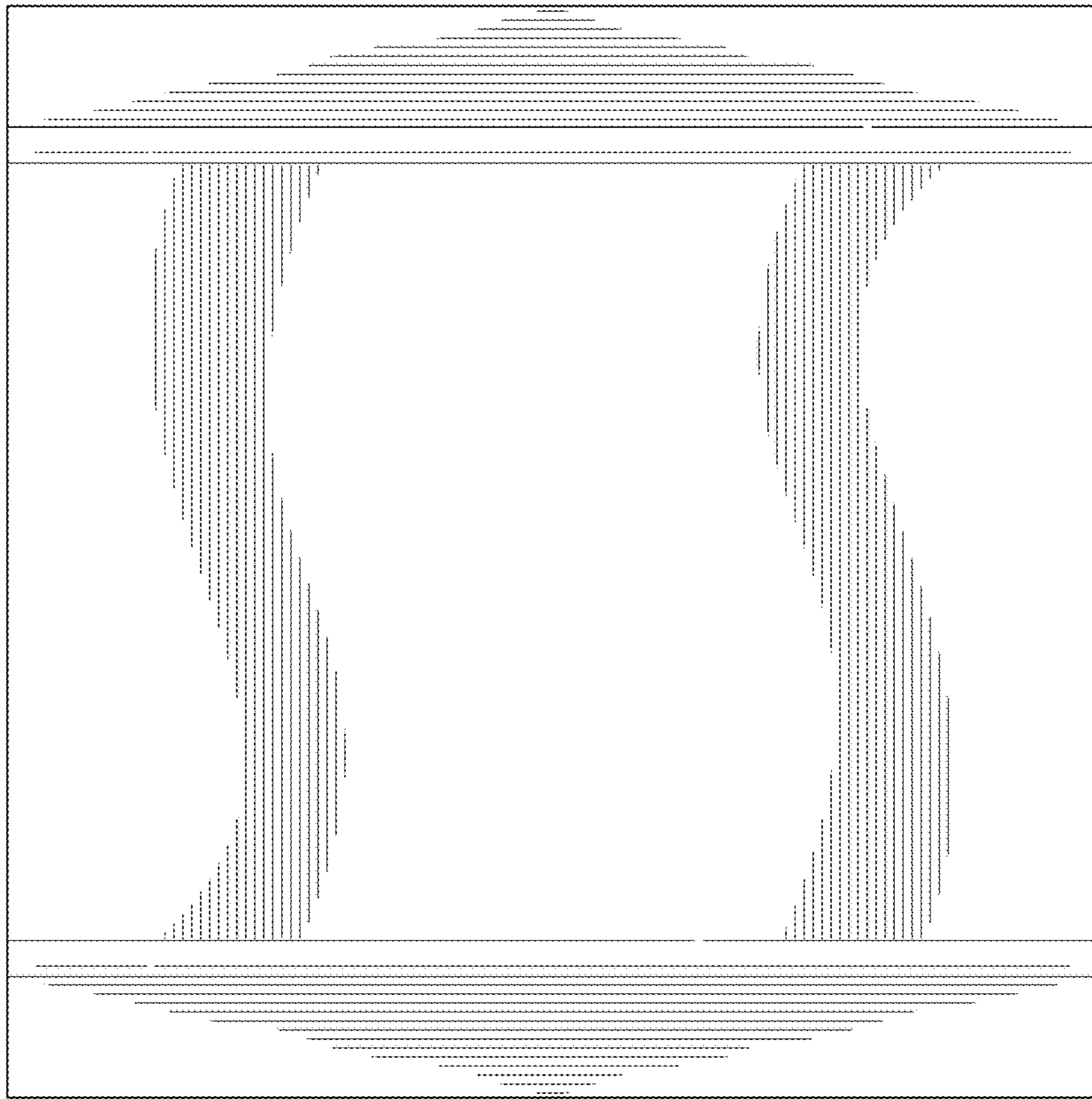


FIG. 5

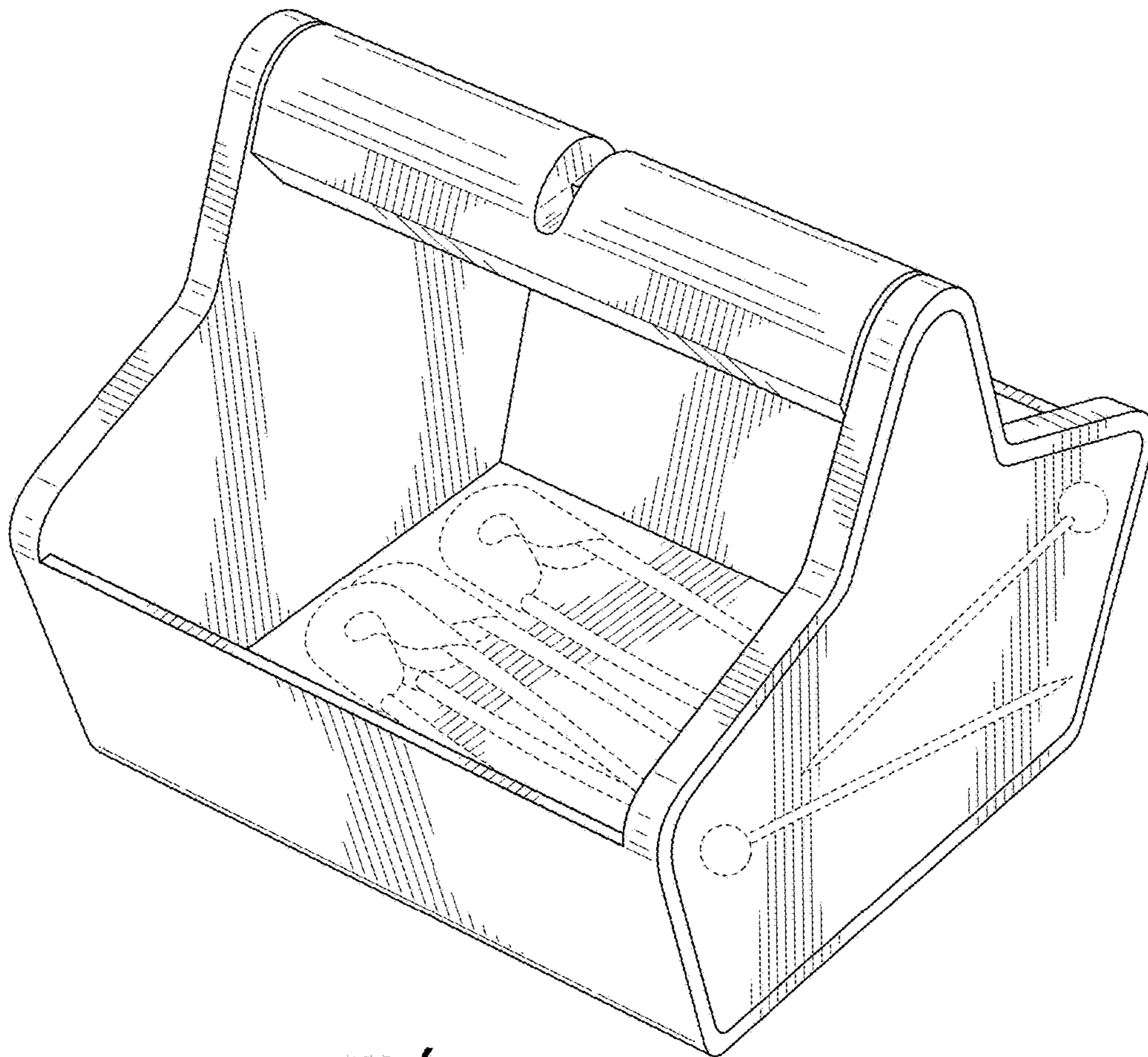


FIG. 6