



US00D834288S

(12) **United States Design Patent**  
**Koh**

(10) **Patent No.:** **US D834,288 S**

(45) **Date of Patent:** **\*\* Nov. 27, 2018**

(54) **DRESS SHIRT WITH KIMONO PATTERN**

**DESCRIPTION**

(71) Applicant: **Original, Inc.**, San Francisco, CA (US)

(72) Inventor: **Chong Jin Koh**, San Francisco, CA (US)

(73) Assignee: **Original, Inc.**, San Francisco, CA (US)

(\*\*) Term: **15 Years**

(21) Appl. No.: **29/631,627**

(22) Filed: **Dec. 31, 2017**

(51) **LOC (11) Cl.** ..... **02-02**

(52) **U.S. Cl.**  
USPC ..... **D2/840; D2/853**

(58) **Field of Classification Search**  
USPC ..... D2/500, 502, 600, 602, 717, 724, 731,  
D2/738, 750, 828, 829, 839, 840, 841,  
(Continued)

(56) **References Cited**

**U.S. PATENT DOCUMENTS**

D6,256 S \* 11/1872 Horan ..... D5/32  
D15,999 S \* 3/1885 McCallum ..... D5/16  
(Continued)

**OTHER PUBLICATIONS**

Origami Pattern 1, [on-line]; [posted to the Internet on Aug. 19, 2011]; [retrieved from the Internet on Mar. 5, 2018]; URL: <http://hakunamantatamel.wordpress.com/tag/motif-kimono/>. (2 pgs). (Year: 2011).\*

(Continued)

*Primary Examiner* — Karen S Acker

*Assistant Examiner* — Jasmine Mlinarcik

(74) *Attorney, Agent, or Firm* — American Patent Agency PC; Daniar Hussain

(57) **CLAIM**

The ornamental design for a dress shirt with kimono pattern, as shown and described.

The patent or application file contains at least one drawing executed in color. Copies of this patent with color drawings will be provided by the Office upon request and payment of the necessary fee.

FIG. 1 is a front view of a dress shirt with kimono pattern, showing my novel design;

FIG. 2 is a duplicate of the view of FIG. 1, except for the broken line outlines that portray the bounds of the enlarged detail views shown in FIGS. 3-10;

FIG. 3 is an enlarged detail view taken from line 3 in FIG. 2, according to a first embodiment;

FIG. 4 is an enlarged detail view taken from line 4 in FIG. 2, according to a second embodiment;

FIG. 5 is an enlarged detail view taken from line 5 in FIG. 2, according to the first embodiment;

FIG. 6 is an enlarged detail view taken from line 6 in FIG. 2, according to the second embodiment;

FIG. 7 is an enlarged detail view taken from line 7 in FIG. 2, according to the first embodiment;

FIG. 8 is an enlarged detail view taken from line 8 in FIG. 2, according to the second embodiment;

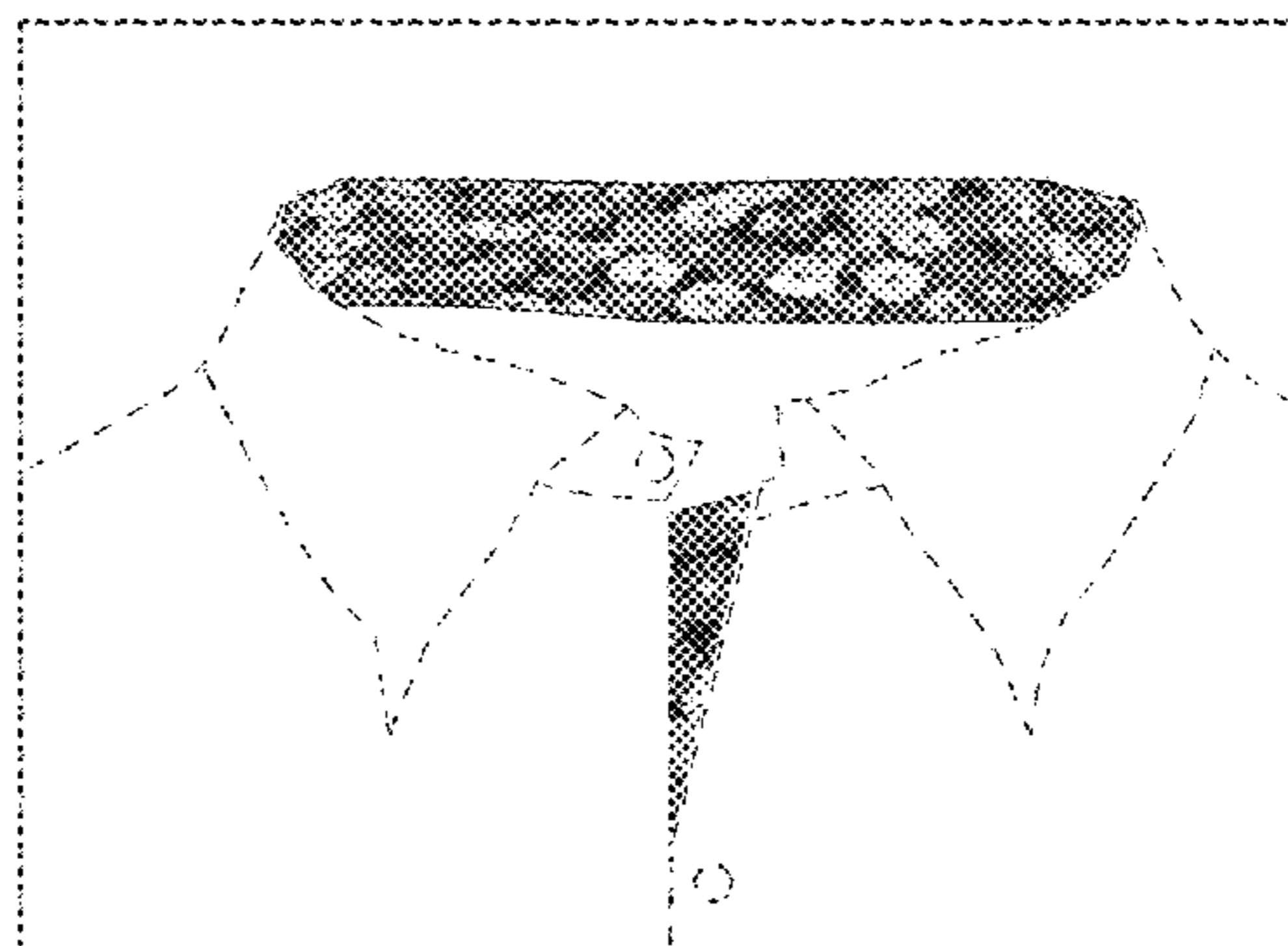
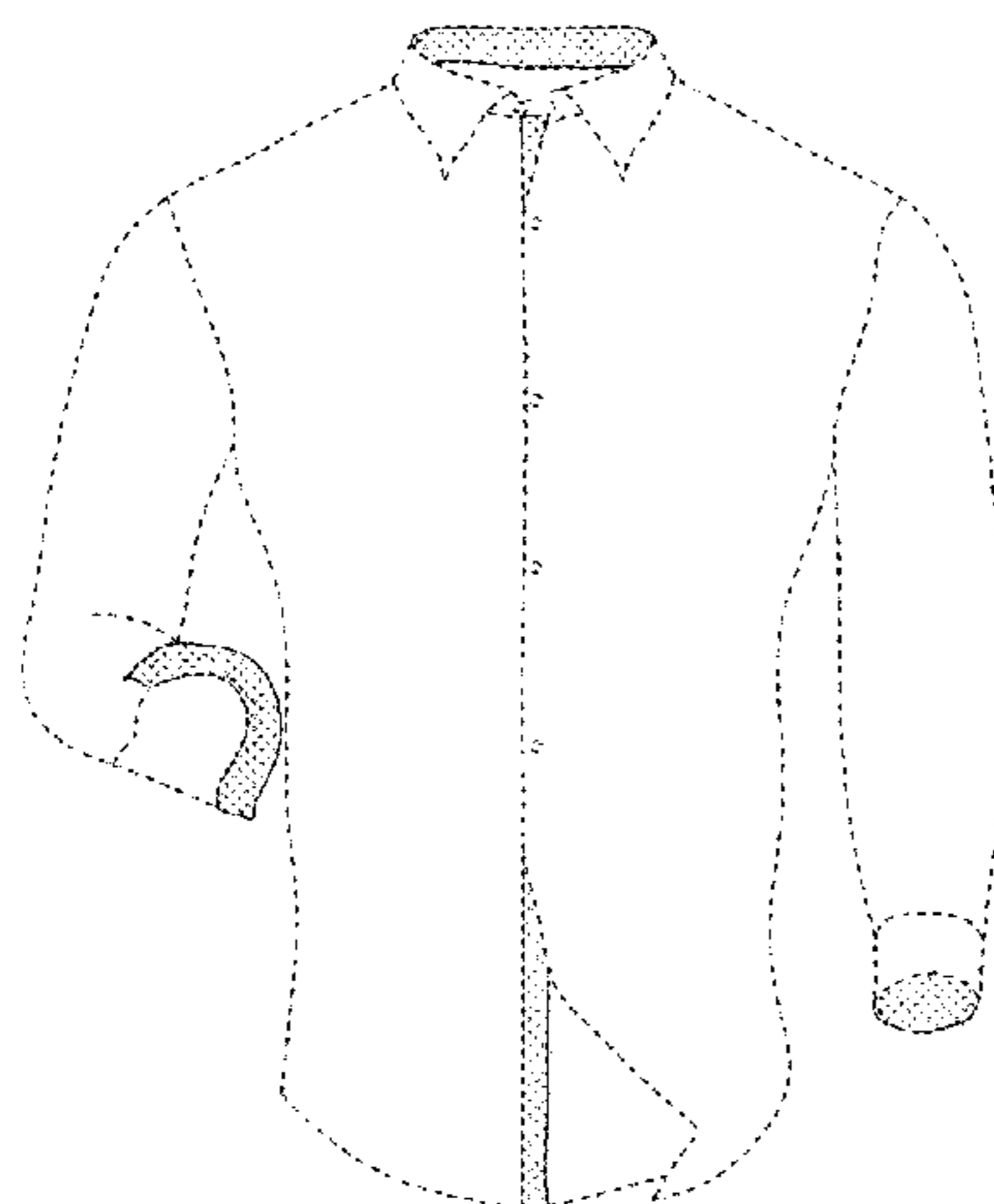
FIG. 9 is an enlarged detail view taken from line 9 in FIG. 2, according to the first embodiment; and,

FIG. 10 is an enlarged detail view taken from line 10 in FIG. 2, according to the second embodiment.

The enlarged detail views of FIGS. 3-10 are shown separately from the claimed design as a whole for clarity of illustration.

The broken lines and areas adjacent to the patterned and shaded parts of the dress shirt with kimono pattern depict portions of the article that form no part of the claimed design. All other broken lines indicate the boundaries of detail areas and form no part of the claimed design.

**1 Claim, 10 Drawing Sheets**  
**(4 of 10 Drawing Sheet(s) Filed in Color)**



(58) **Field of Classification Search**

USPC ..... D2/842, 850, 853, 854; D5/7, 8, 16, 32,  
 D5/60, 62, 66, 99; D6/612, 613, 617;  
 D20/26  
 CPC .... A41B 1/00; A41B 1/06; A41B 1/08; A41B  
 9/06; A41D 1/02; A41D 1/04; A41D  
 1/18; A41D 13/0015; A41D 27/08; B44F  
 3/00; B44F 7/00; D03D 3/00; D03D 9/00;  
 D03D 15/00; D06N 7/00; D21H 27/02;  
 D21F 1/0027; D02G 3/22

See application file for complete search history.

D622,037 S *	8/2010	Hall	.....	D2/717
D624,278 S *	9/2010	Smith	.....	D2/717
D654,659 S *	2/2012	Scott-Curran	.....	D2/717
D675,027 S *	1/2013	Olson	.....	D5/37
D704,452 S *	5/2014	Stelly	.....	D5/7
D733,403 S *	7/2015	Pearson	.....	D2/847
D769,000 S *	10/2016	Bichlmeier	.....	D5/56
D771,353 S *	11/2016	Van Sisseren	.....	D2/828
D792,111 S *	7/2017	Taylor	.....	D5/37
D806,986 S *	1/2018	Ingram	.....	D2/828
D808,617 S *	1/2018	Woosey	.....	D2/849
2015/0320117 A1 *	11/2015	Wilson	.....	A41B 9/06 2/113

(56)

**References Cited**

U.S. PATENT DOCUMENTS

D18,185 S *	3/1888	Pike	.....	D11/117
D88,790 S *	12/1932	Heinke	.....	D5/16
D88,847 S *	1/1933	Altman	.....	D5/62
D88,907 S *	1/1933	George	.....	D5/62
D90,263 S *	7/1933	Schweizer	.....	D5/62
D90,530 S *	8/1933	Harrell	.....	D5/6
D126,953 S *	4/1941	Kirschenbaum	.....	D2/834
D130,531 S *	11/1941	Christen	.....	D5/62
D130,794 S *	12/1941	Tilliard	.....	D5/99
D134,438 S *	11/1942	Christen	.....	D5/16
D168,114 S *	11/1952	Otto	.....	D6/617
D168,273 S *	11/1952	Mason	.....	D2/731
D186,425 S *	10/1959	Ostwald	.....	D2/853
D217,507 S *	5/1970	Stengel	.....	D5/62
D226,400 S *	2/1973	Joski	.....	D5/16
D255,150 S *	5/1980	Woon	.....	D24/125
D255,152 S *	5/1980	Woon	.....	D24/125
D266,617 S *	10/1982	Appleman	.....	D5/17
5,014,360 A *	5/1991	Smith	.....	A41D 13/0015 2/115
D318,572 S *	7/1991	Schultz	.....	D5/20
D319,350 S *	8/1991	Paschke	.....	D5/20
D398,780 S *	9/1998	Minkin	.....	D5/37
D467,762 S *	12/2002	Mendis	.....	D6/585
D575,930 S *	9/2008	Vacchiano	.....	D2/717
D598,639 S *	8/2009	Holder	.....	D2/828

OTHER PUBLICATIONS

US Trademark Application #86044314 (now Registered Trademark #4657244) for "Original Stitch," filed on Aug. 21, 2013 by BleuFlamme LLC. First use in Commerce Date: Feb. 1, 2014. Retrieved on Mar. 14, 2018. (5 pgs). (Year: 2013).\*

Proper Cloth LLC, "Proper Cloth, Design the perfect shirt" webpage, Available at: <https://propercloth.com/design-a-shirt/>, last accessed on Apr. 10, 2017.

Bit Body, Inc., MTailor webpage and mobile application, Available at <https://www.mtailor.com/>, last accessed on Apr. 10, 2017.

AFT GMBH, "Tailor4less" webpage, Available at: <https://www.tailor4less.com/en/men/custom-dress-shirts/>, last accessed on Apr. 10, 2017.

Flex Japan Corporation, "Karuizawa shirt" webpage, Available at: <http://karuizawa-shirt.jp/builder>, last accessed on Apr. 10, 2017 with Google Translate.

Etsy, Inc., "Mens Kimono" webpage, Available at: [https://www.etsy.com/market/mens\\_kimono](https://www.etsy.com/market/mens_kimono), last accessed on Dec. 20, 2017.

Fancy Fashion, "Shirt Gallery" webpage, Available at: [http://thailandbesttailor.com/shirt\\_gallery.php](http://thailandbesttailor.com/shirt_gallery.php), last accessed on Dec. 20, 2017.

Nordstrom, Inc., "Men's Ted Baker London Dress Shirts" webpage, Available at: <https://shop.nordstrom.com/c/mens-dress-shirts-ties/ted-baker-london~1515>, last accessed on Dec. 20, 2017.

\* cited by examiner

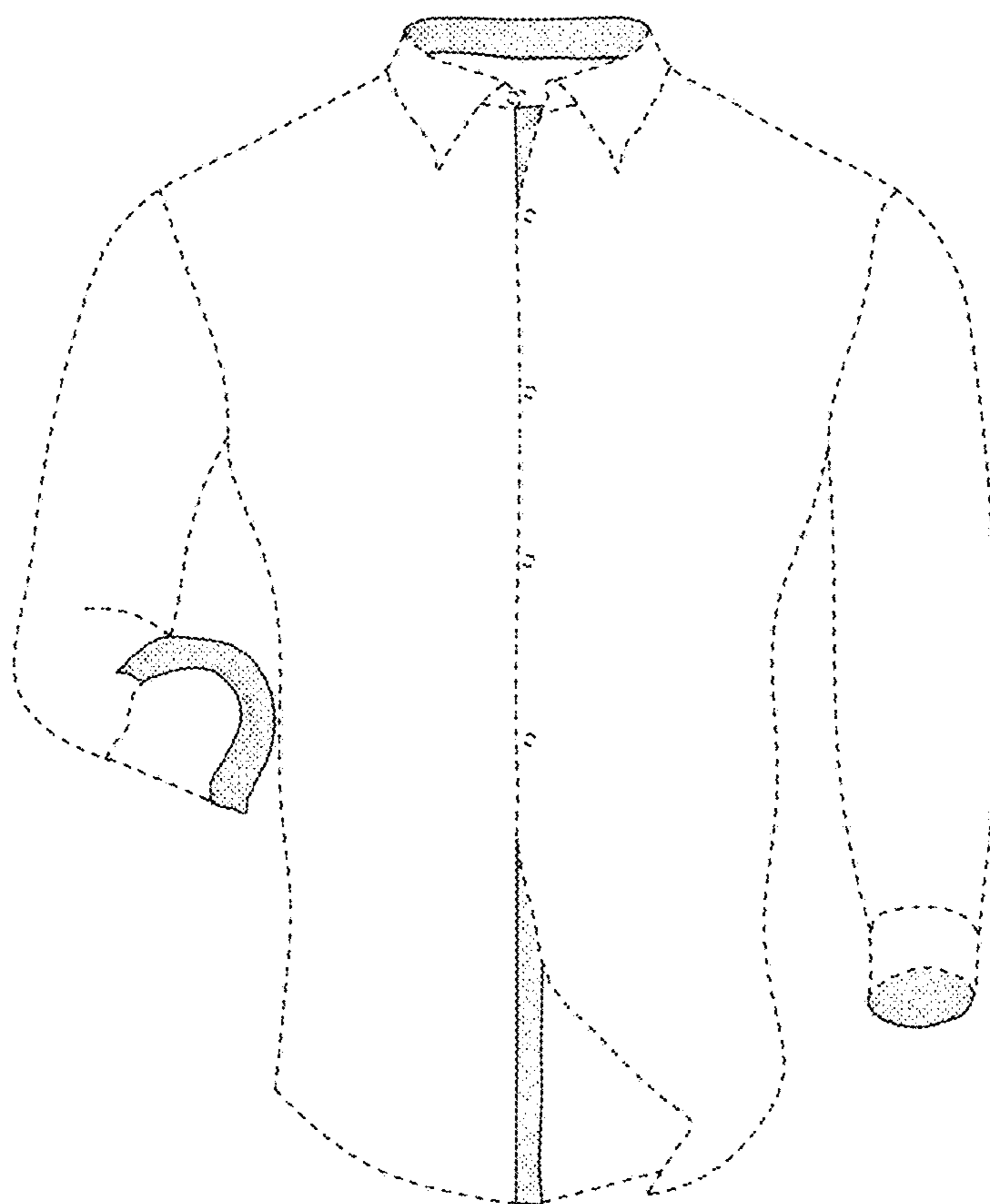


FIG. 1

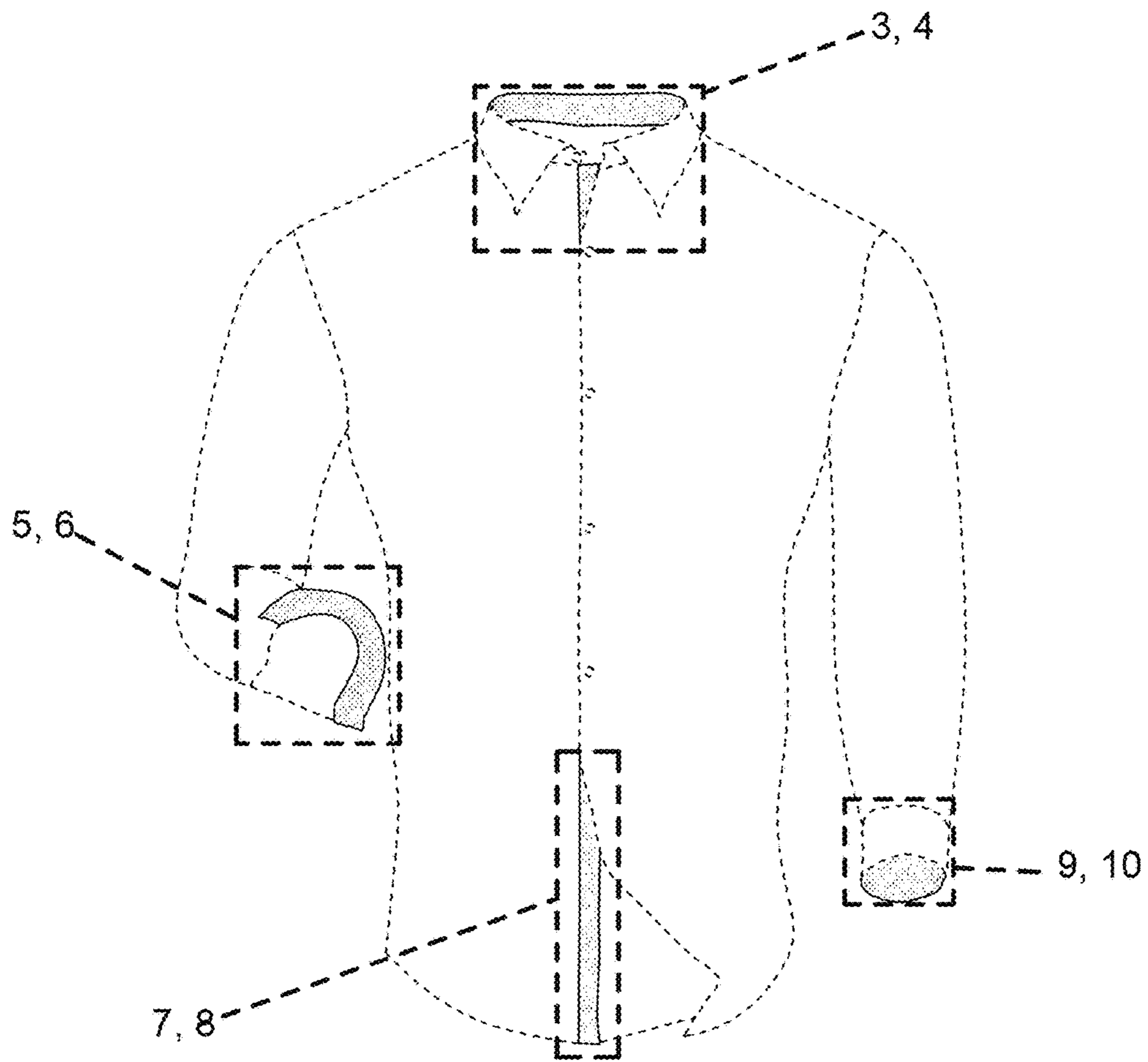


FIG. 2

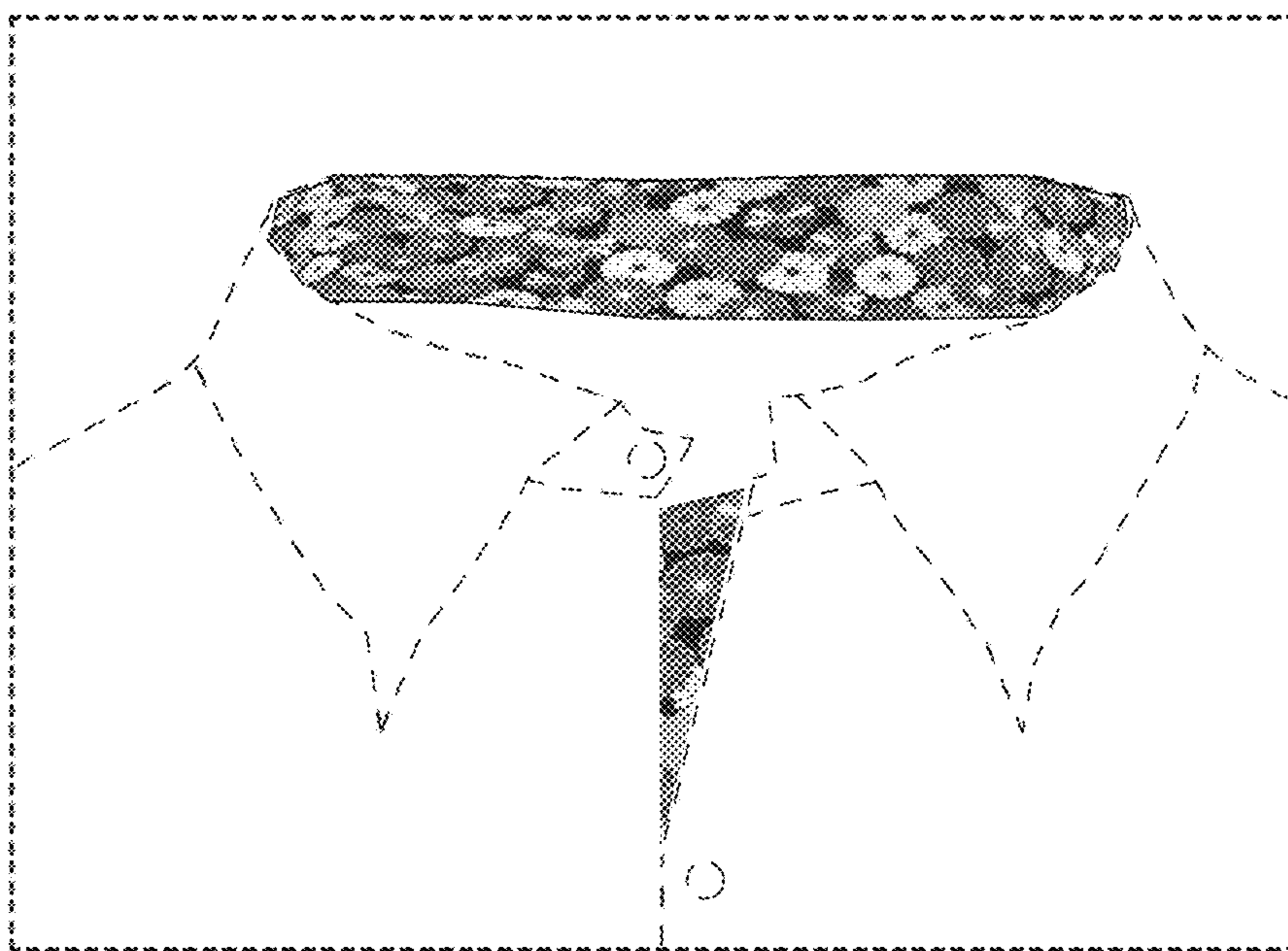


FIG. 3

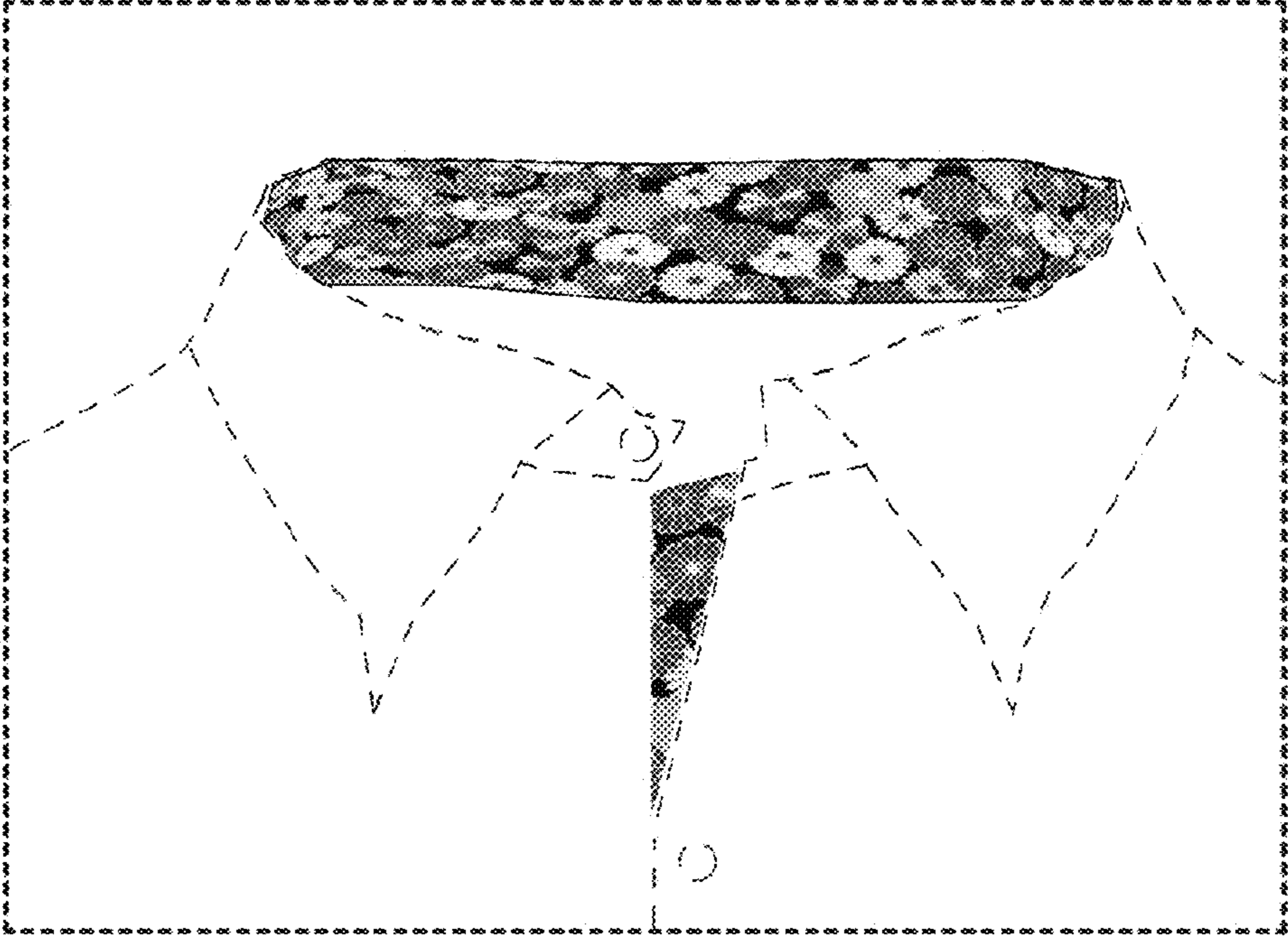


FIG. 4

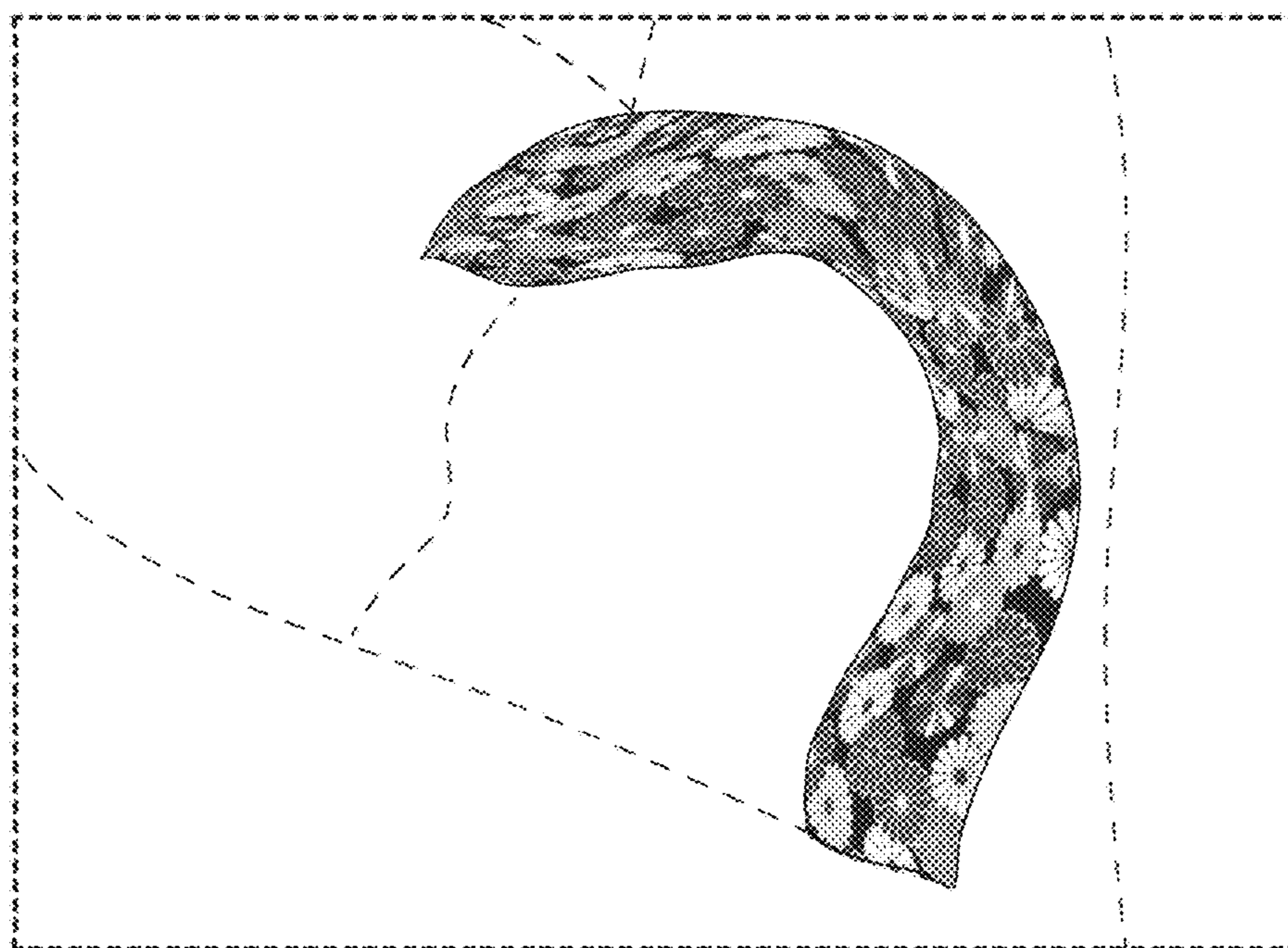


FIG. 5

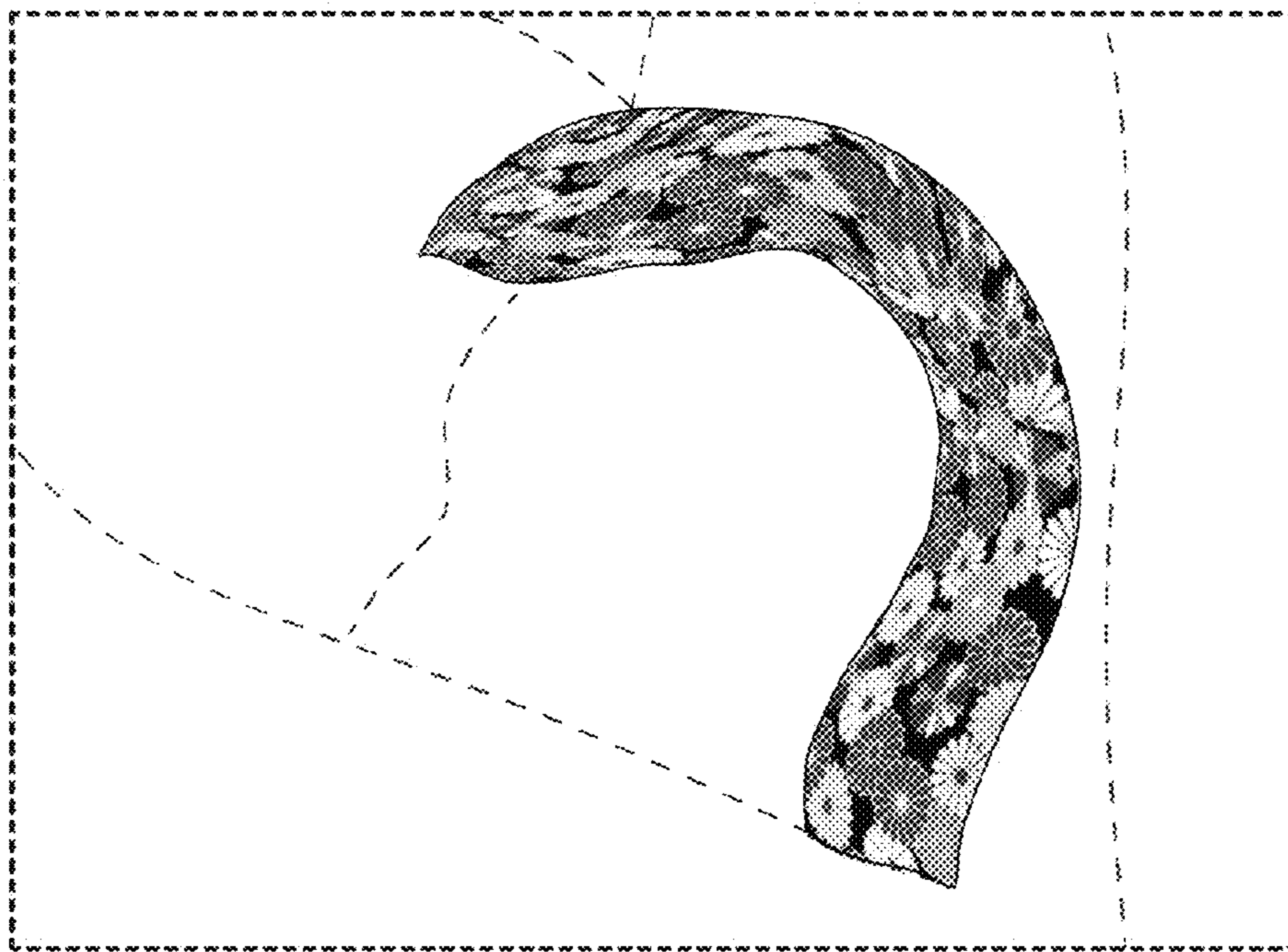


FIG. 6



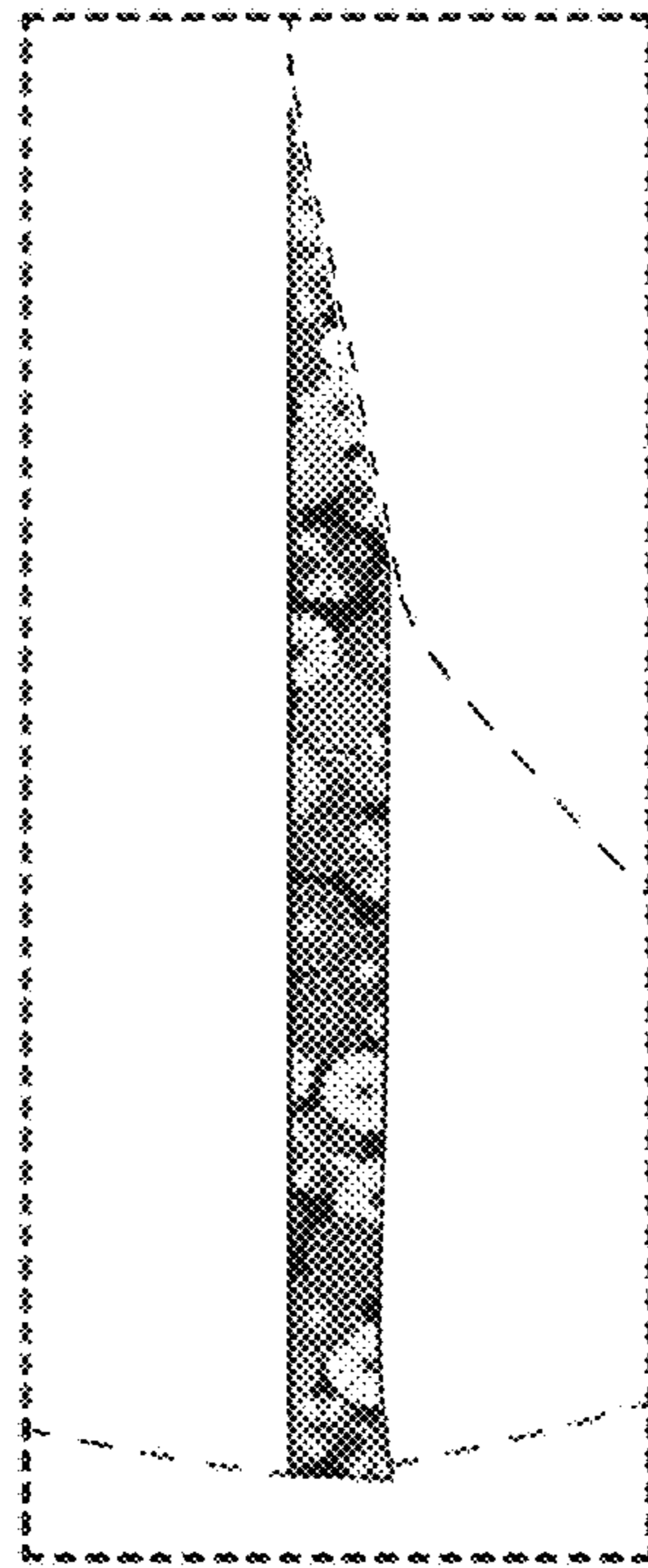


FIG. 7

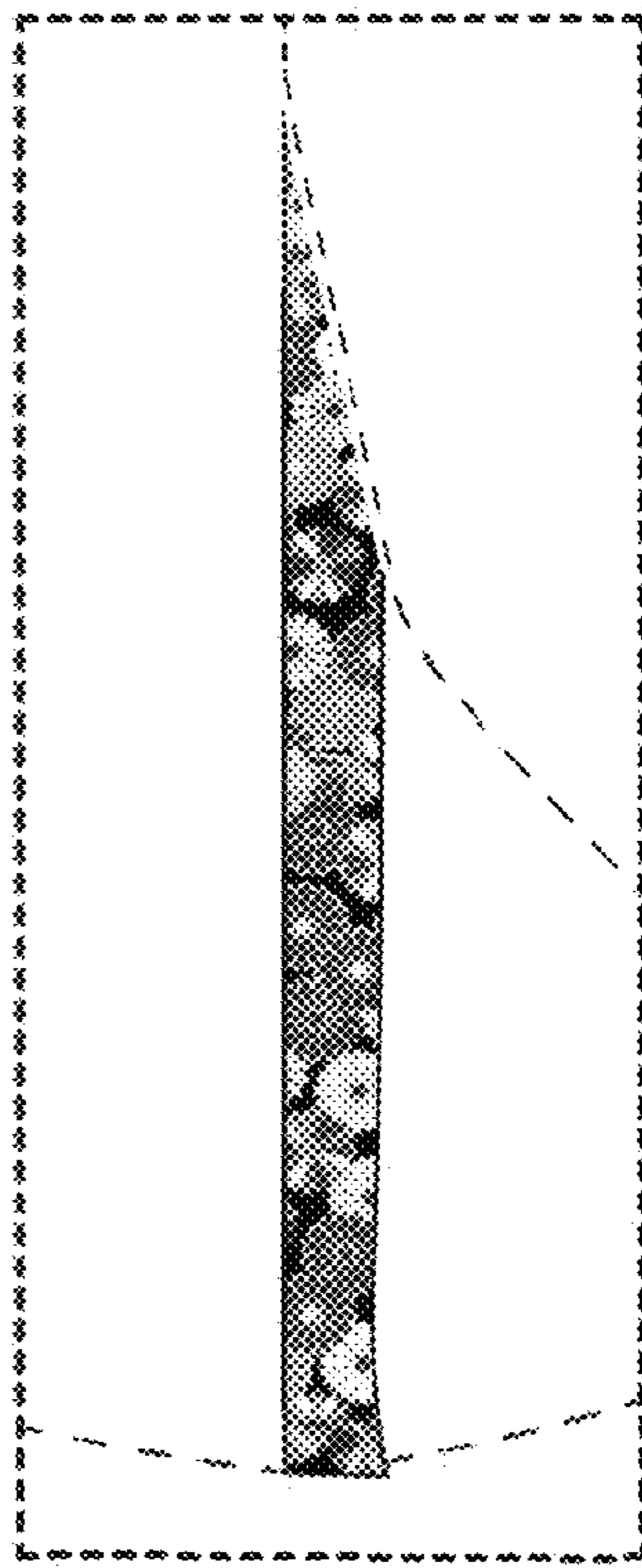


FIG. 8

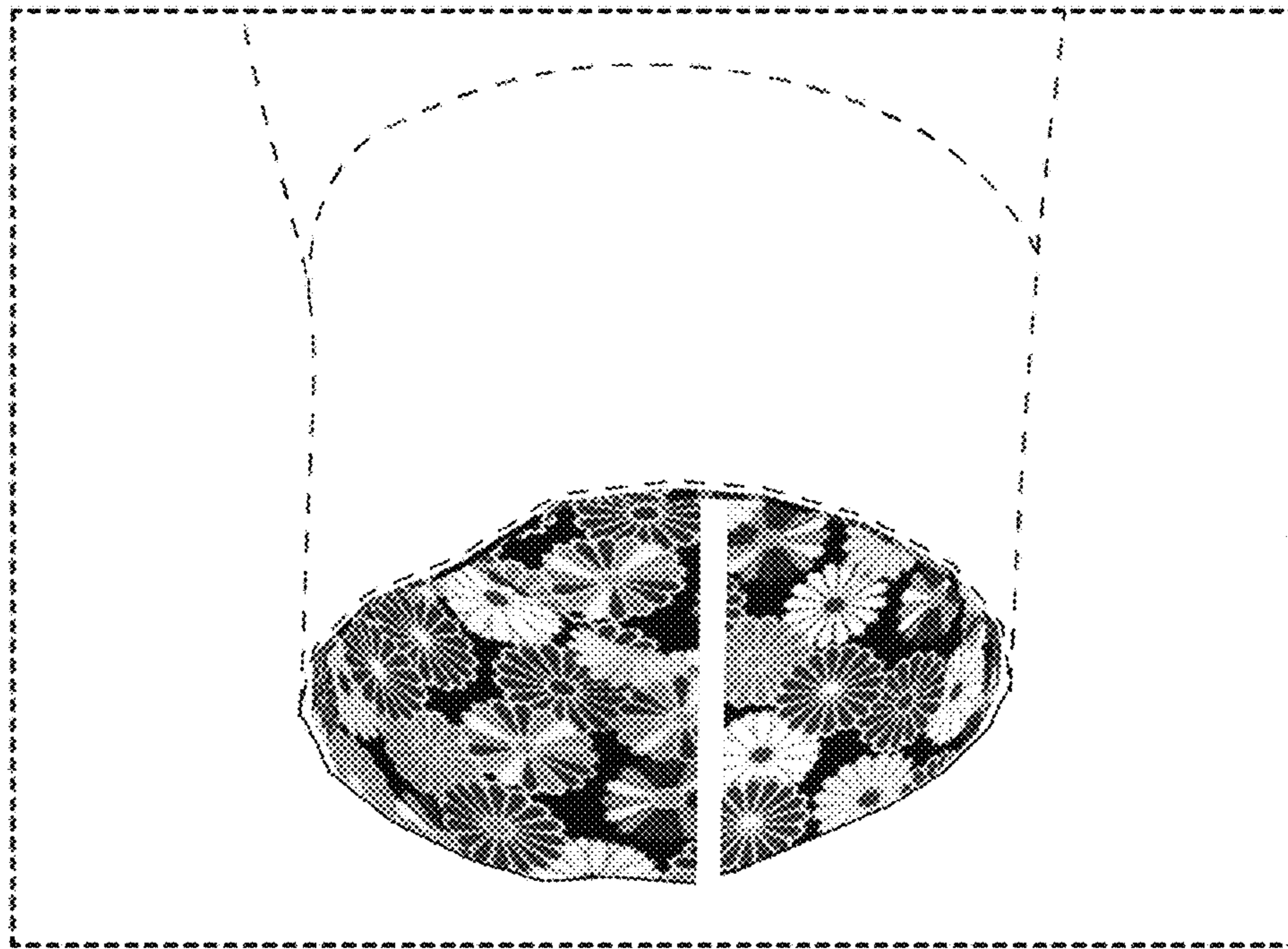


FIG. 9

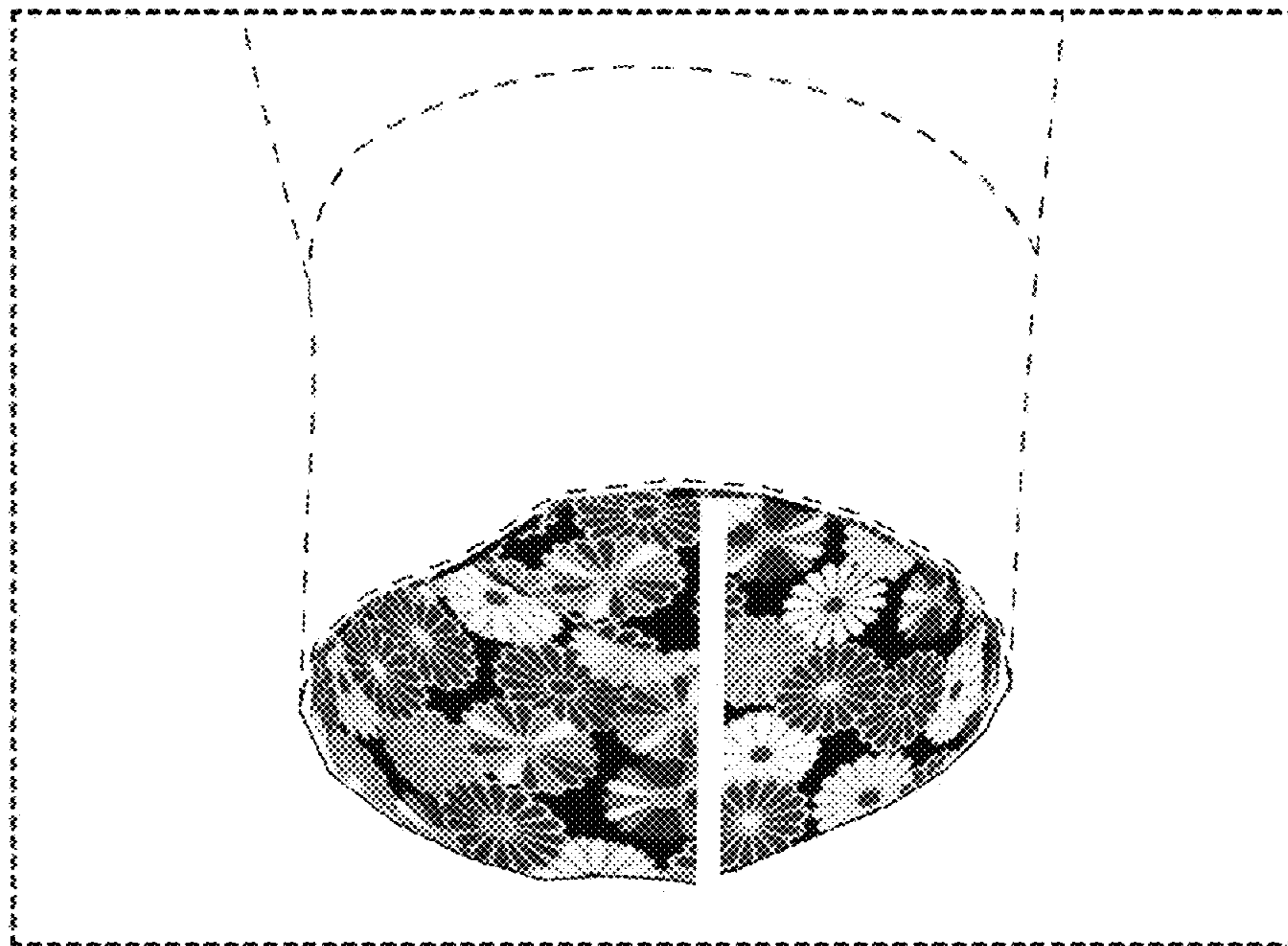


FIG. 10