



US00D834287S

(12) **United States Design Patent** (10) **Patent No.:** **US D834,287 S**  
**Noll et al.** (45) **Date of Patent:** **\*\* Nov. 27, 2018**

(54) **GARMENT**

- (71) Applicant: **NIKE, Inc.**, Beaverton, OR (US)
- (72) Inventors: **Eric R. Noll**, Carpinteria, CA (US);  
**Kevin Lancelin**, Milan (IT)
- (73) Assignee: **NIKE, Inc.**, Beaverton, OR (US)
- (\*\*) Term: **15 Years**
- (21) Appl. No.: **29/630,623**
- (22) Filed: **Dec. 21, 2017**
- (51) **LOC (11) Cl.** ..... **02-02**
- (52) **U.S. Cl.**  
USPC ..... **D2/828**
- (58) **Field of Classification Search**  
USPC ..... D2/828-829, 771, 791, 857, 831, 780,  
D2/782, 750, 760; D3/285  
CPC ..... A41D 2300/322; A41D 1/02; A41D 1/04;  
A41D 1/10  
See application file for complete search history.

(56) **References Cited**

**U.S. PATENT DOCUMENTS**

|                   |         |          |       |            |
|-------------------|---------|----------|-------|------------|
| D478,708 S *      | 8/2003  | Miros    | ..... | D2/831     |
| D747,075 S *      | 1/2016  | Ingram   | ..... | D2/831     |
| 9,332,796 B2 *    | 5/2016  | Edwards  | ..... | A41D 1/002 |
| D767,856 S *      | 10/2016 | Adrovic  | ..... | D2/731     |
| D801,639 S *      | 11/2017 | Ingram   | ..... | D2/831     |
| D810,401 S *      | 2/2018  | Darmour  | ..... | D2/828     |
| D811,051 S *      | 2/2018  | Darmour  | ..... | D2/828     |
| D820,560 S *      | 6/2018  | Reynolds | ..... | D2/829     |
| 2013/0219581 A1 * | 8/2013  | Schrimpf | ..... | A41D 27/20 |

2/69

**OTHER PUBLICATIONS**

Design U.S. Appl. No. 29/623,445, filed Oct. 25, 2017, inventor Jessica A. Lomax.

\* cited by examiner

*Primary Examiner* — Holly H Baynham

*Assistant Examiner* — J. Thorn, Sr.

(74) *Attorney, Agent, or Firm* — Shook, Hardy & Bacon L.L.P.

(57) **CLAIM**

The ornamental design for a garment, as shown and described.

**DESCRIPTION**

FIG. 1 is a front perspective view of a garment showing our design;

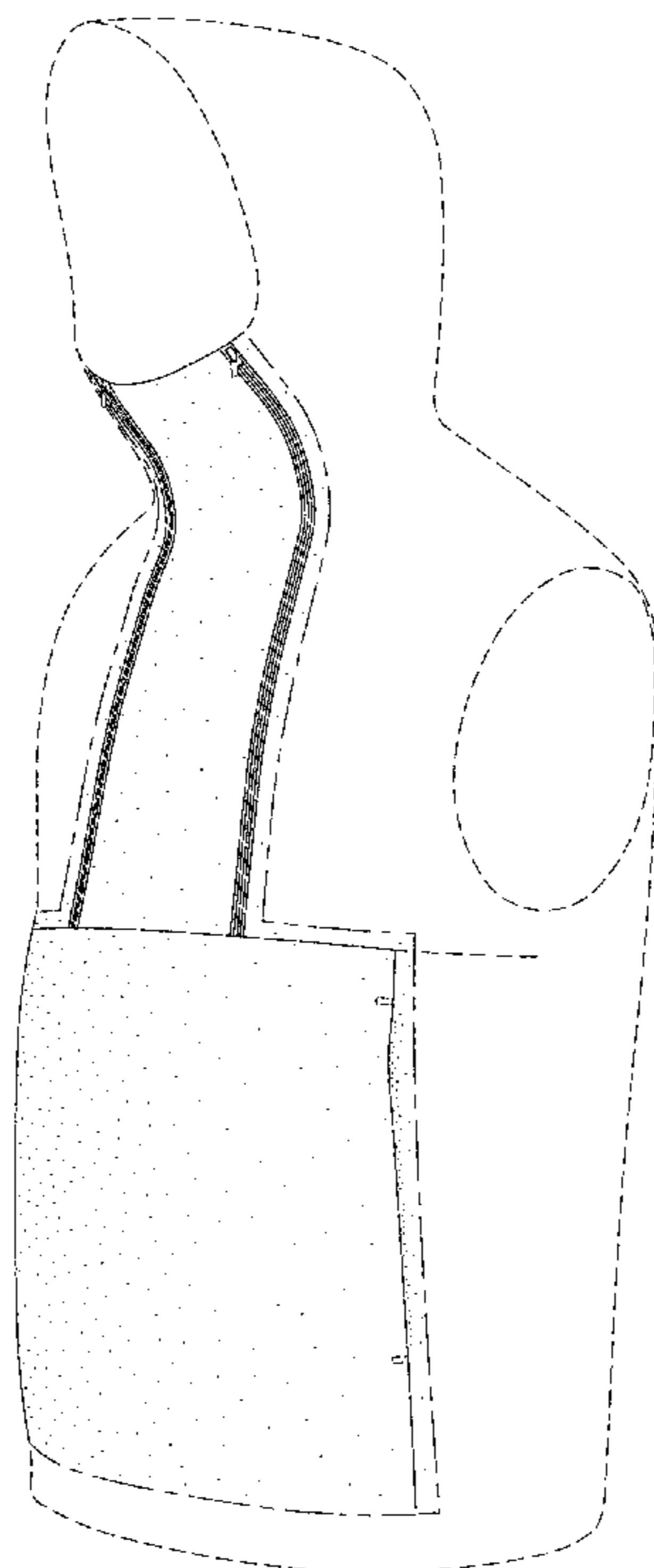
FIG. 2 is a front view thereof;

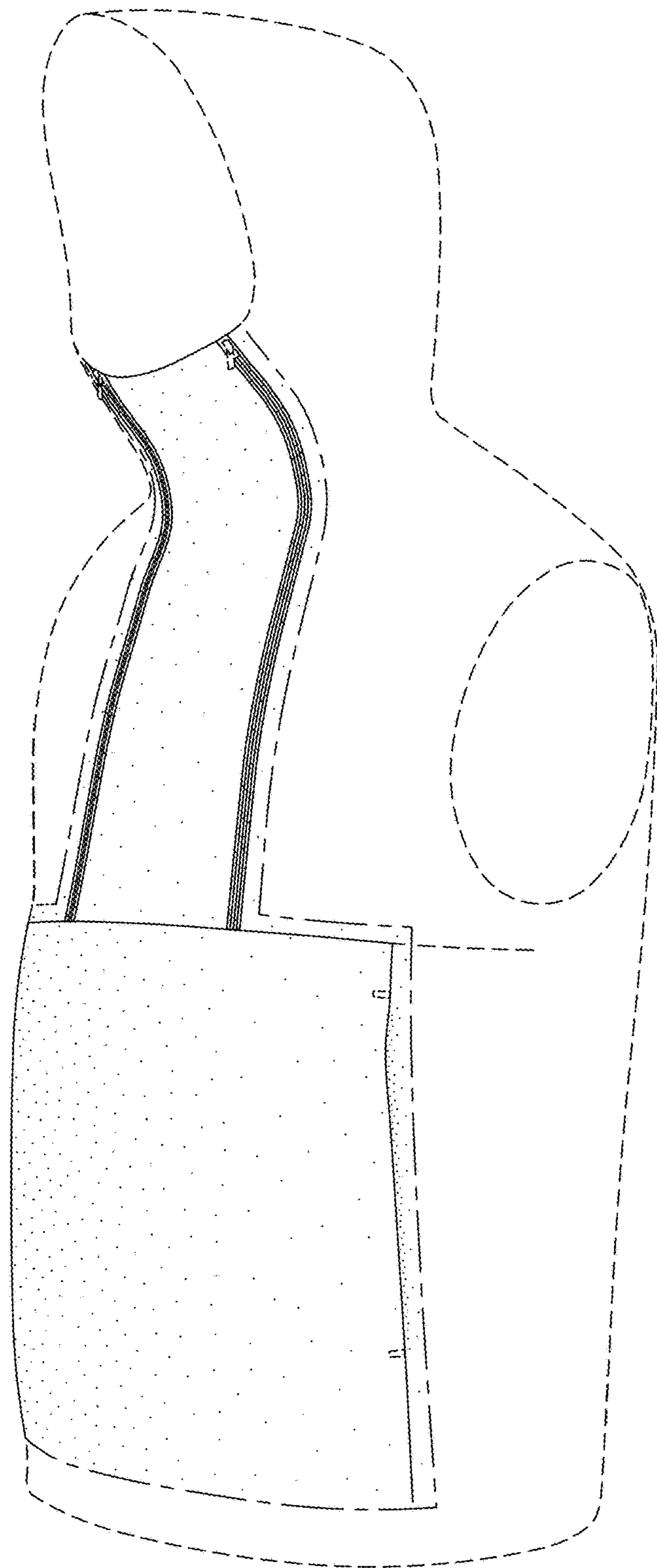
FIG. 3 is a first side view thereof; and,

FIG. 4 is a second side view thereof.

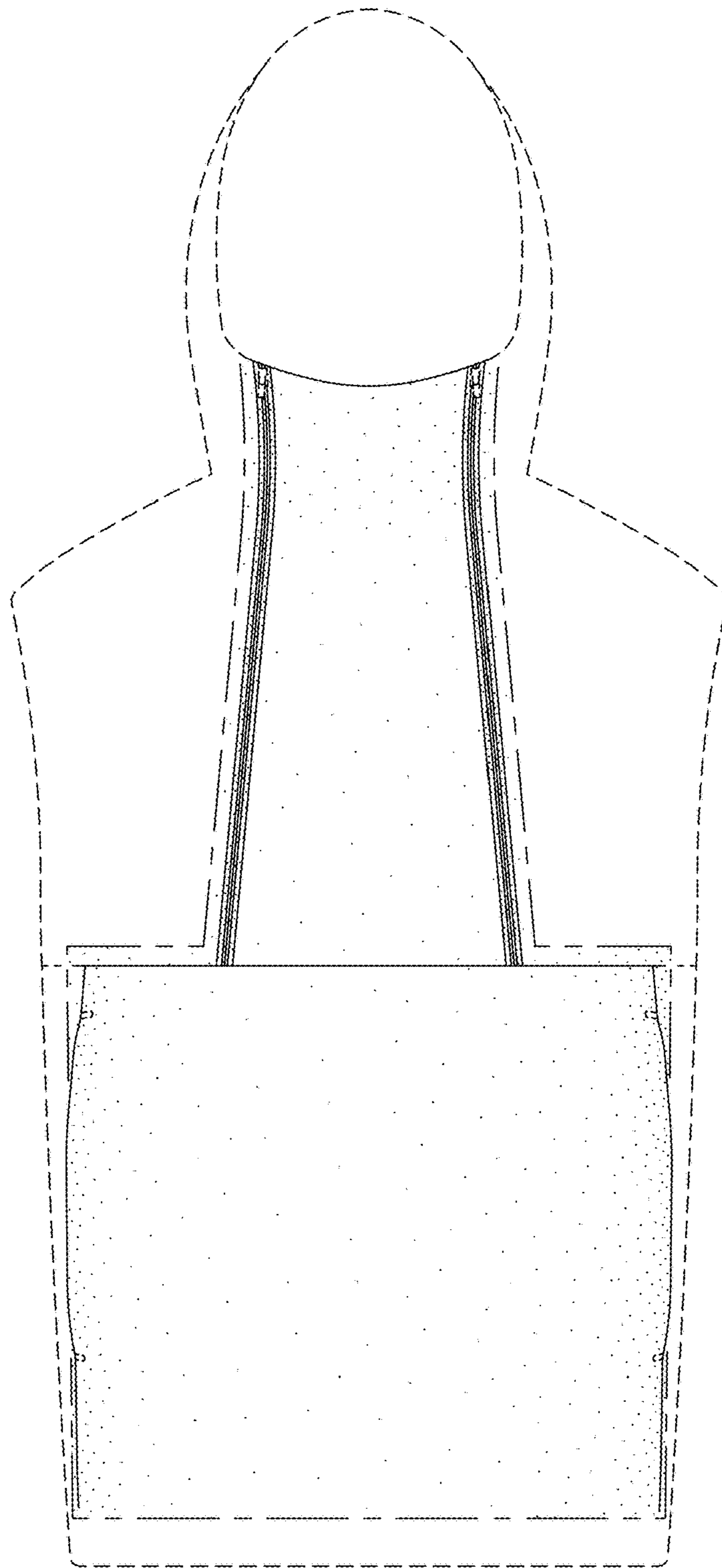
The long-and-short broken lines immediately adjacent shaded areas form an unclaimed boundary around at least a portion of the claimed subject matter, and form no part of the claim. The even-length broken lines, which show the remainder of the article, are directed to environment, represent unclaimed subject matter, and form no part of the claim.

**1 Claim, 4 Drawing Sheets**

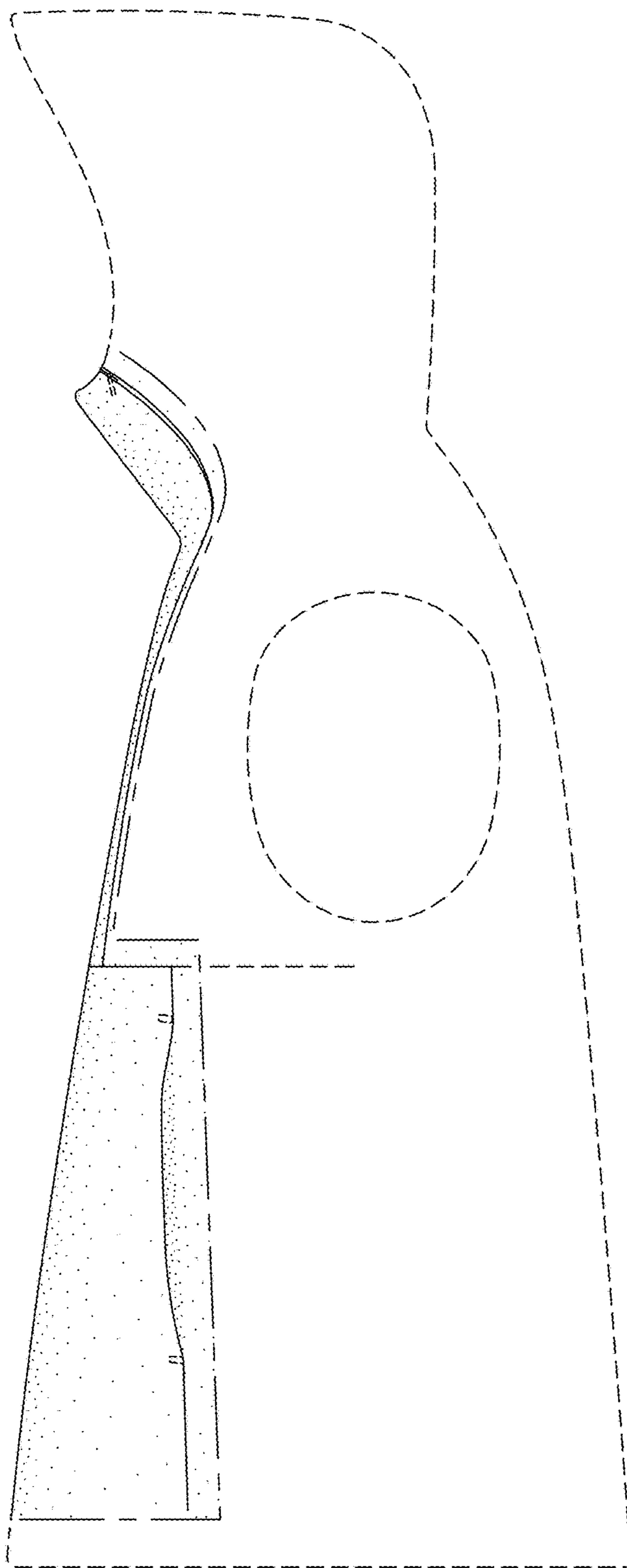




*FIG. 1.*



*FIG. 2.*



*FIG. 3.*

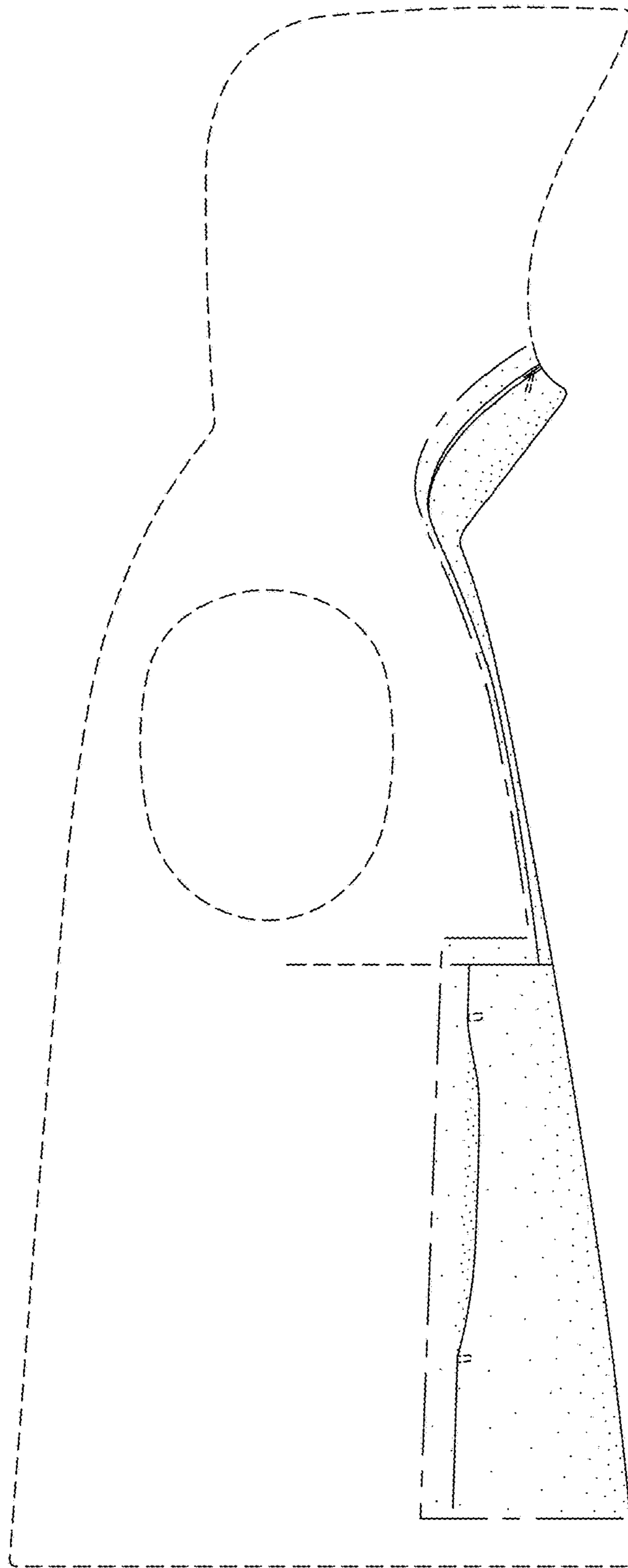


FIG. 4.