

US00D834278S

(12) **United States Design Patent** (10) **Patent No.:** **US D834,278 S**
DeBaker et al. (45) **Date of Patent:** **** Nov. 20, 2018**

- (54) **BICYCLE STAIR RAMP**
- (71) Applicant: **Saris Cycling Group, Inc.**, Madison, WI (US)
- (72) Inventors: **Chad M. DeBaker**, Minneapolis, MN (US); **Michael E. Brauer**, Minneapolis, MN (US)
- (73) Assignee: **Saris Cycling Group, Inc.**, Madison, WI (US)
- (**) Term: **15 Years**
- (21) Appl. No.: **29/608,373**
- (22) Filed: **Jun. 21, 2017**
- (51) **LOC (11) Cl.** **12-05**
- (52) **U.S. Cl.**
USPC **D34/32**
- (58) **Field of Classification Search**
USPC D34/28, 32, 34, 35; D30/199, 160, 119, D30/116; 182/48, 49; 14/69.5
CPC ... E04F 11/002; B65G 69/28; B65G 2207/40; B65G 65/425; B65G 69/2811
See application file for complete search history.

8,332,981 B2 * 12/2012 Woo E04F 11/002 14/69.5
 D793,024 S * 7/2017 Bernart D34/32
 2012/0174325 A1 * 7/2012 Woo E04F 11/002 14/69.5

OTHER PUBLICATIONS

<http://www.falco.co.uk/products/advanced-cycle-products/velocomfort-stair-cycle-ramp1/>.
<http://www.falco.co.uk/products/advanced-cycle-products/manual-cycle-wheel-ramps/>.
<http://www.cyclehoop.com/product/access-infrastructure/bike-wheeling-ramp/>.
<https://www.bikedocksolutions.com/product/stair-track>.

* cited by examiner

Primary Examiner — Cynthia Ramirez
Assistant Examiner — Gino Colan
 (74) *Attorney, Agent, or Firm* — Boyle Fredrickson, S.C.

(57) **CLAIM**

The ornamental design for a bicycle stair ramp, as shown and described.

DESCRIPTION

FIG. 1 is an isometric view of a bicycle stair ramp showing our new design,
 FIG. 2 is an enlarged isometric view thereof;
 FIG. 3 is a front elevation view thereof;
 FIG. 4 is a rear elevation view thereof;
 FIG. 5 is a first side elevation view thereof;
 FIG. 6 is a second side elevation view thereof;
 FIG. 7 is a top plan view thereof; and,
 FIG. 8 is a bottom plan view thereof.

The broken lines shown in the figures are for the purpose of illustrating portions of the bicycle stair ramp and form no part of the claimed design.

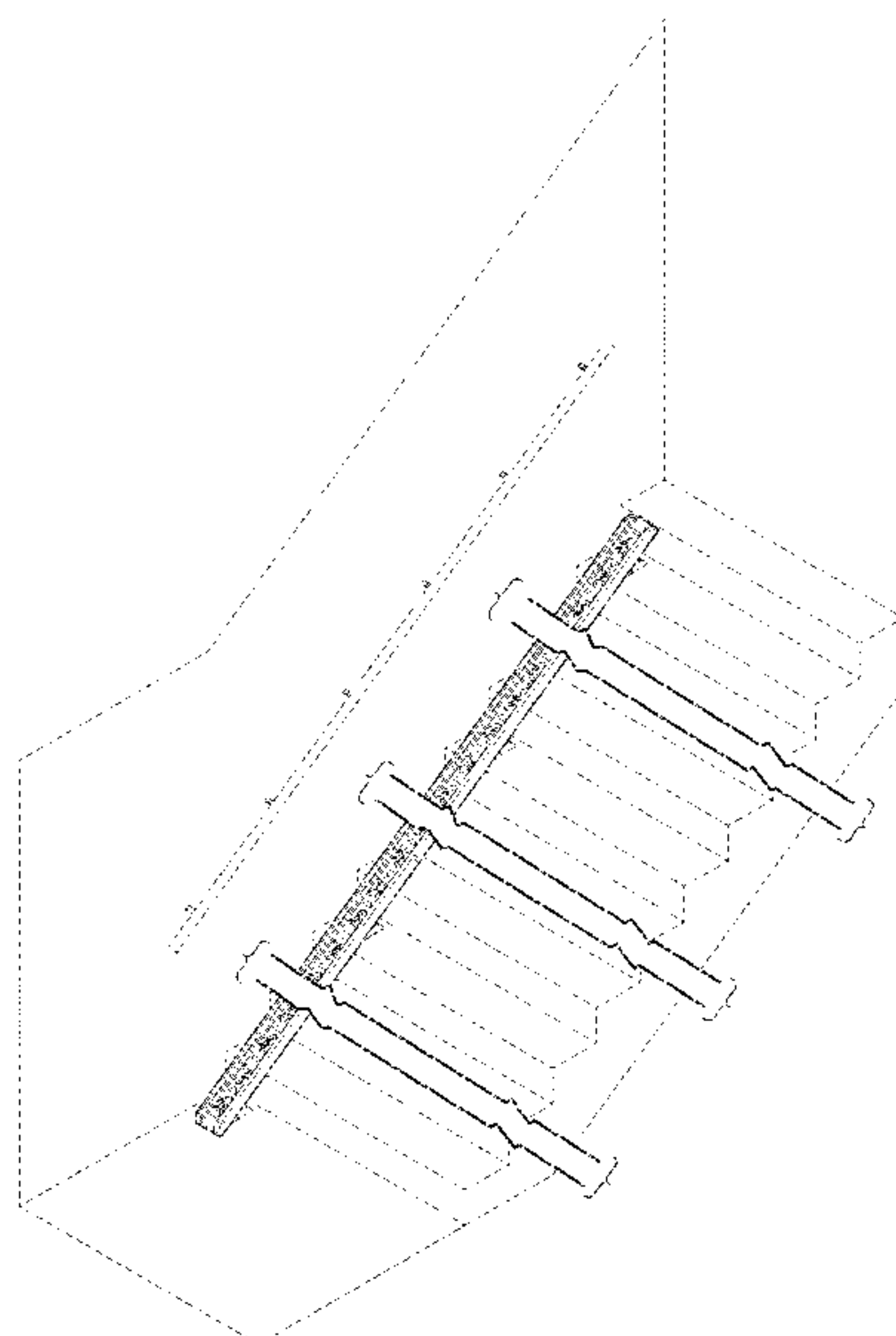
The bicycle stair ramp is shown with a symbolic break in its length. The appearance of any portion of the article between the break lines forms no part of the claimed design.

1 Claim, 8 Drawing Sheets

(56) **References Cited**

U.S. PATENT DOCUMENTS

- 4,943,048 A * 7/1990 Hentges A63G 21/00 182/49
- D311,798 S * 10/1990 Boots D34/32
- D329,519 S * 9/1992 Holloway, Jr. D34/32
- 5,277,436 A * 1/1994 Frank B62B 5/04 14/69.5
- D434,542 S * 11/2000 Wickstead D34/32
- D646,043 S * 9/2011 Woo D34/32



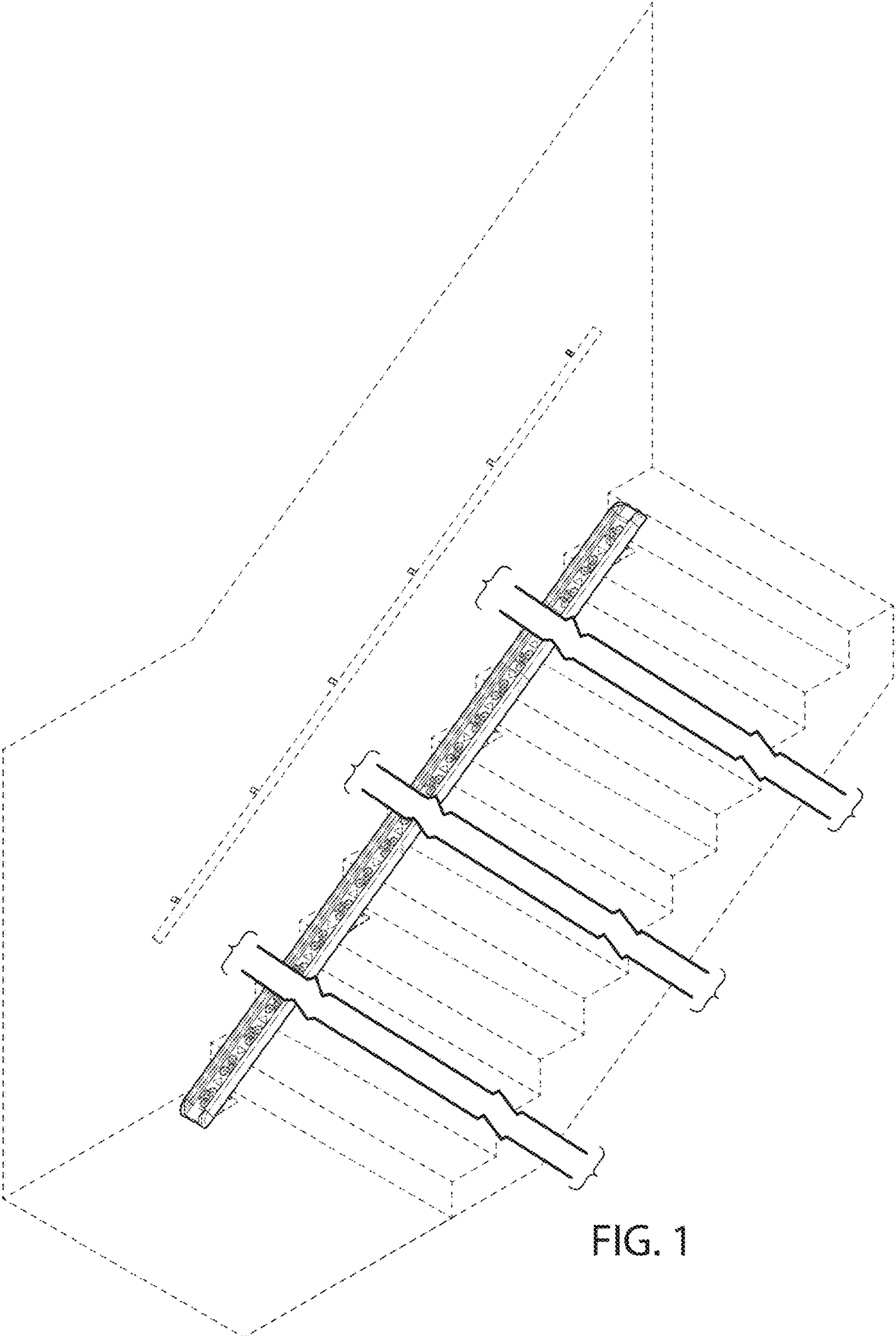


FIG. 1

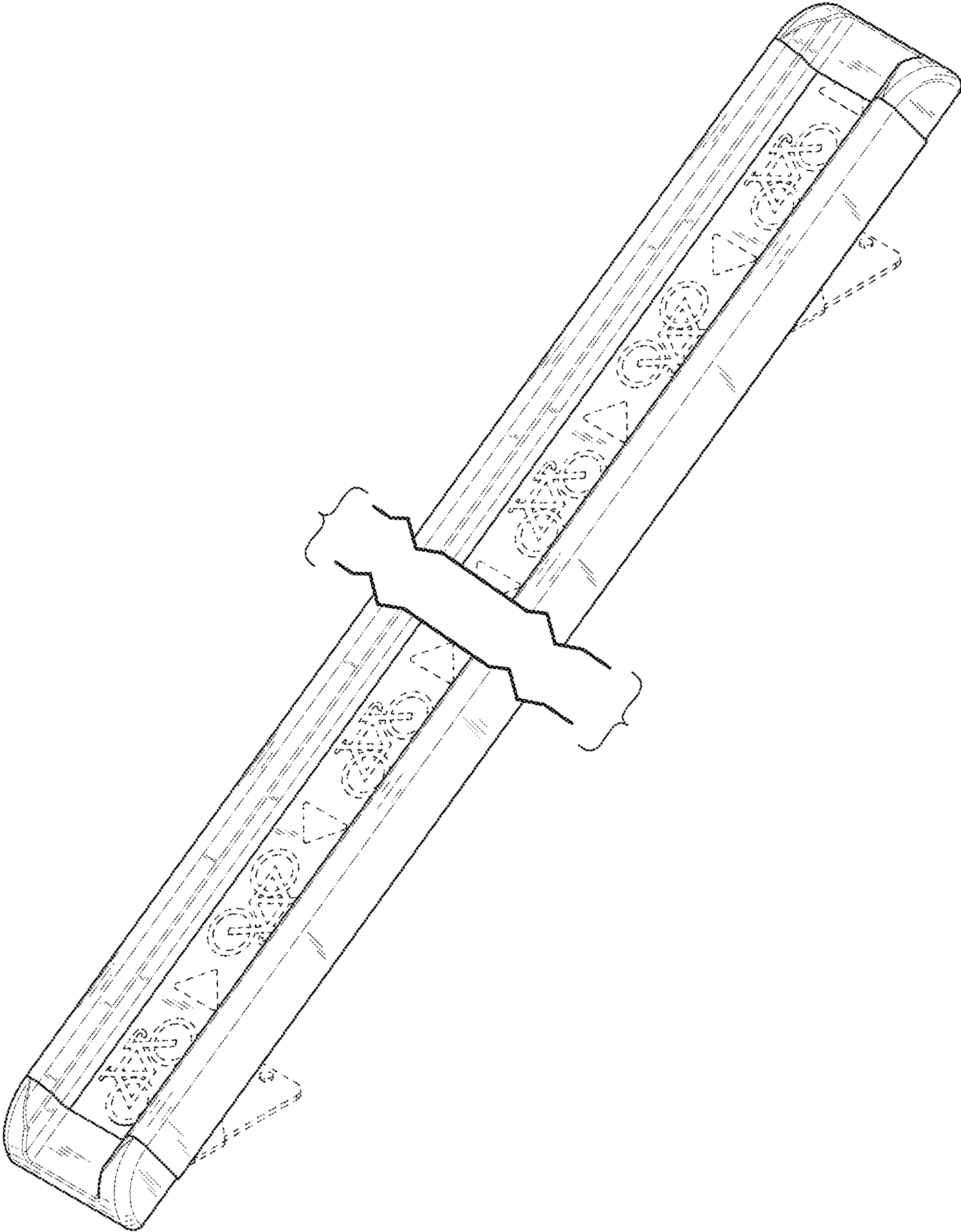


FIG. 2

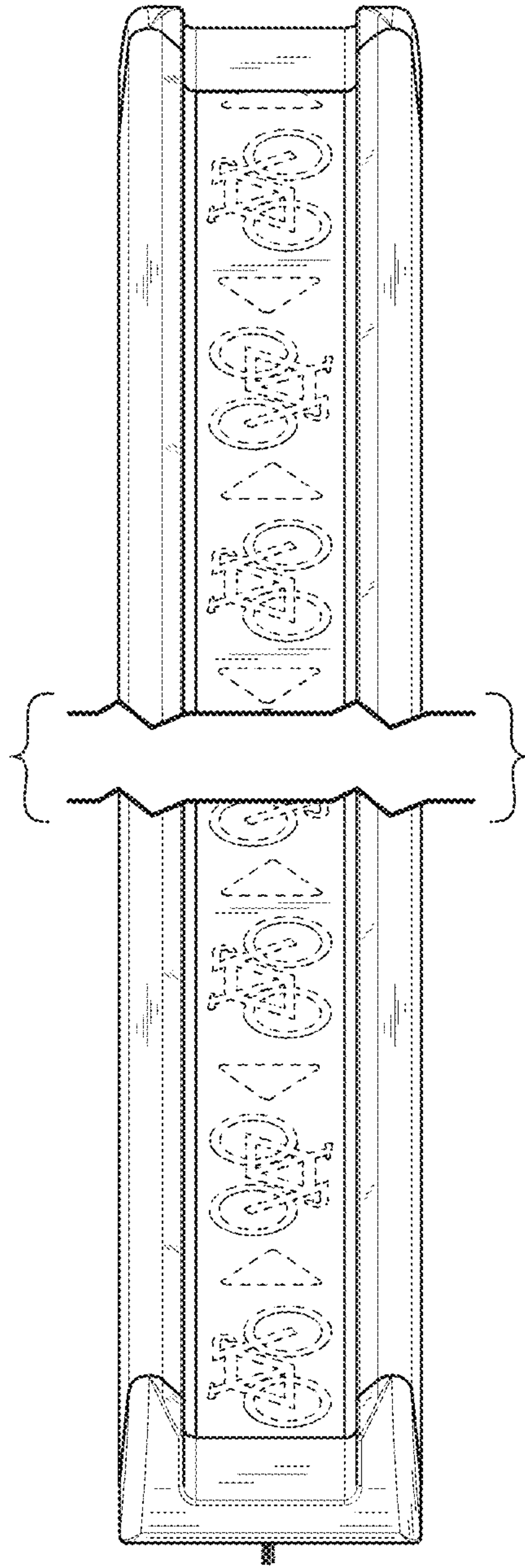


FIG. 3

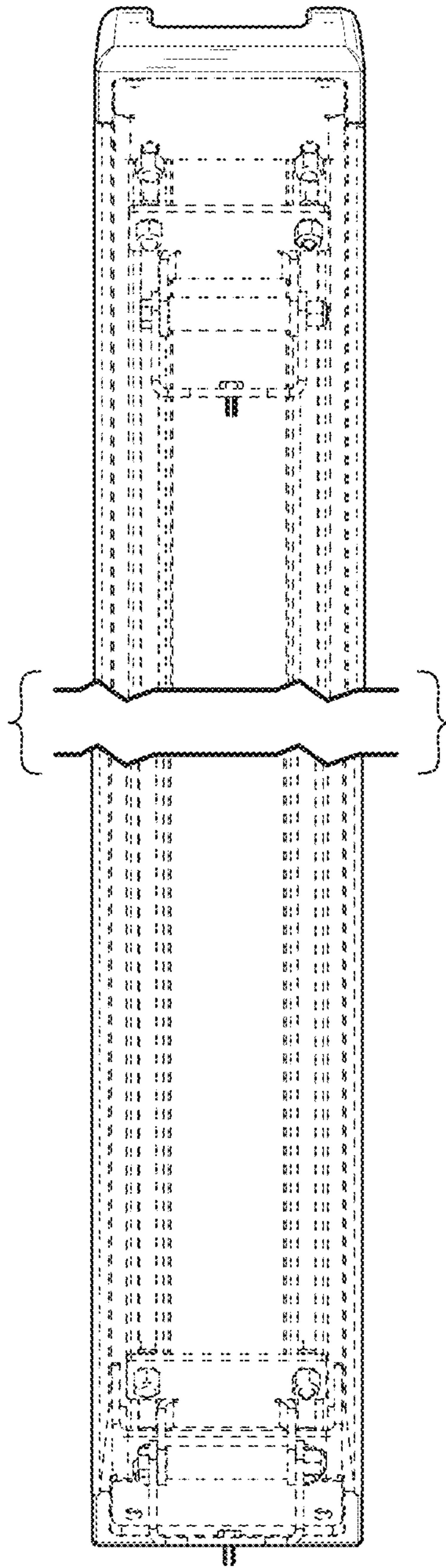


FIG. 4

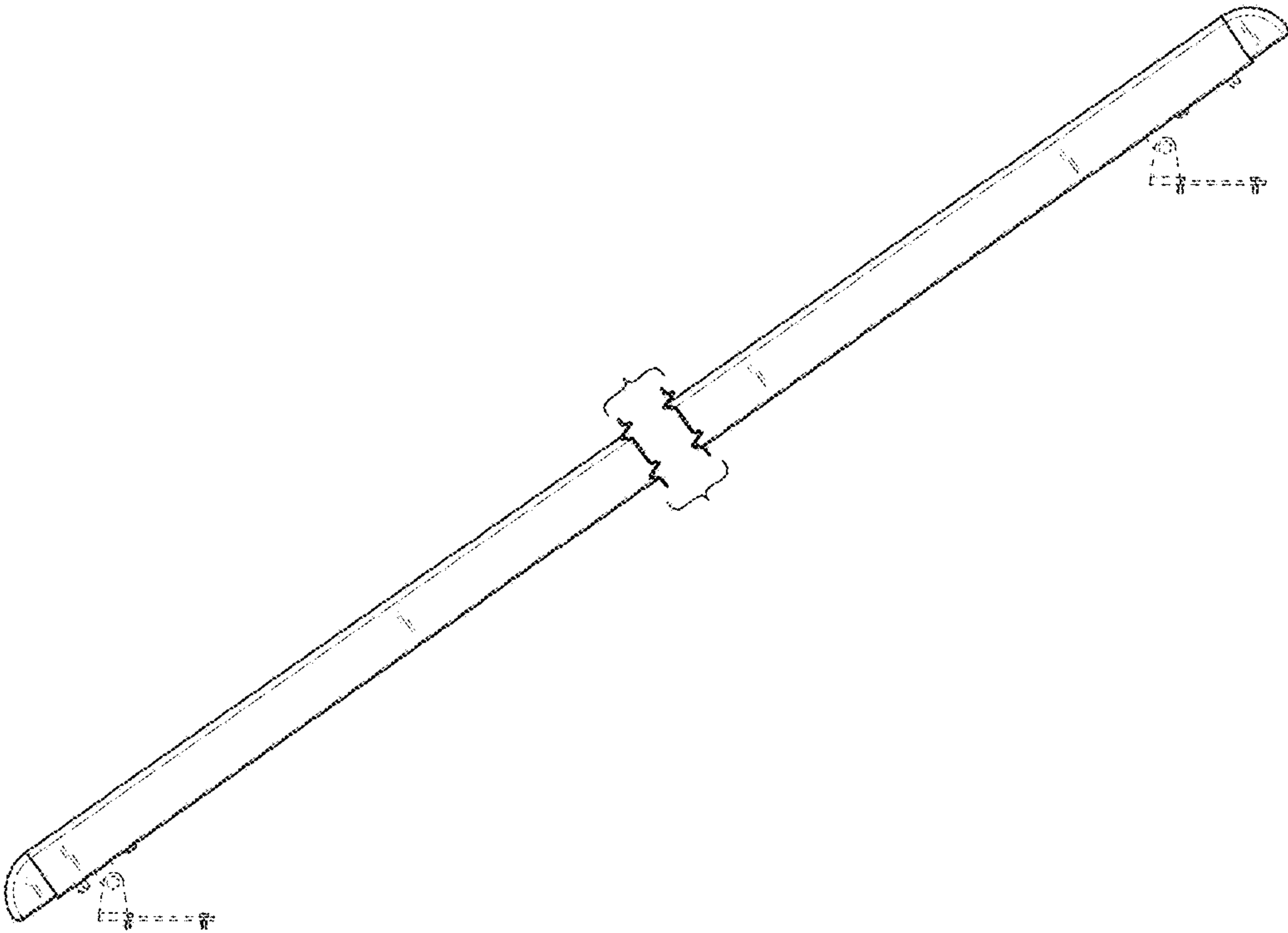


FIG. 5

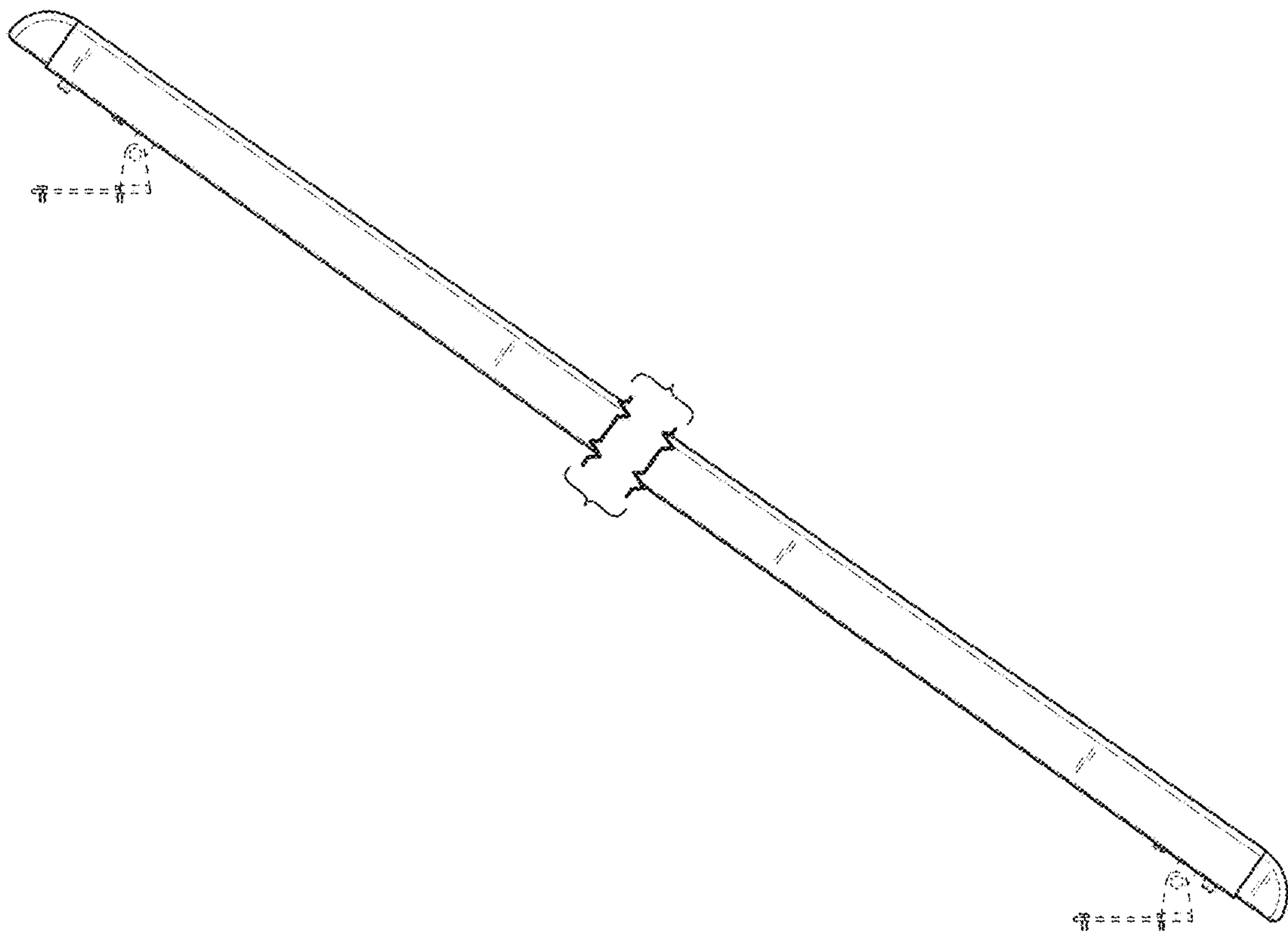


FIG. 6

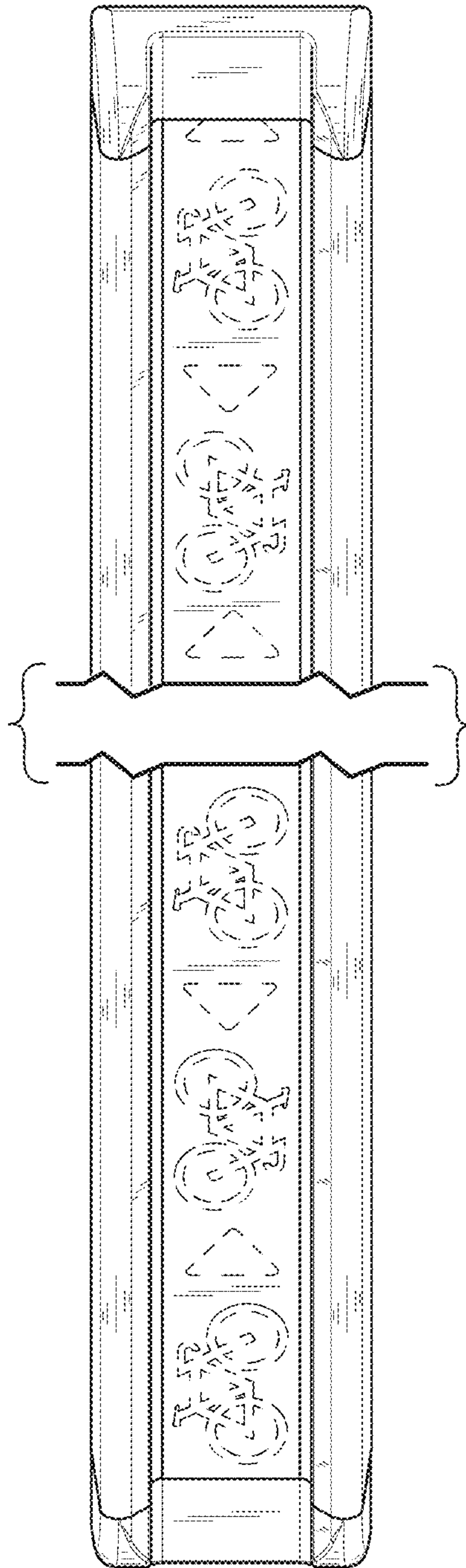


FIG. 7

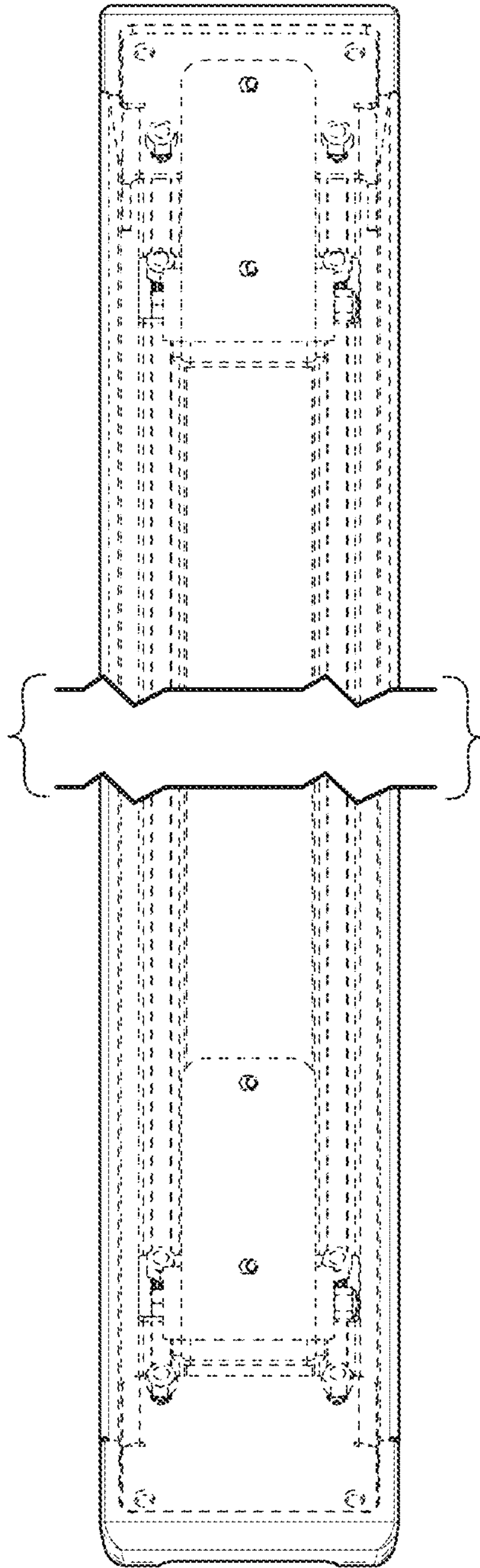


FIG. 8