



US00D834277S

(12) **United States Design Patent** (10) **Patent No.:** **US D834,277 S**
Buchan et al. (45) **Date of Patent:** **** Nov. 20, 2018**

(54) **COMBINED WASTE AND RECYCLING BIN**

(71) Applicant: **MIDPOINT INTERNATIONAL INC.,**
Aurora (CA)

(72) Inventors: **Bruce Buchan, Aurora (CA); Joseph Luc Boucher, Ottawa (CA); Jeffrey Ryan McCrady, Ottawa (CA); Torrin Marcus Mullins, Ottawa (CA); John Charles Tutton, Manotick (CA); Panagiotis Amanatidis, Toronto (CA); Hugh Caines, Aurora (CA)**

(73) Assignee: **MIDPOINT INTERNATIONAL INC.,**
Aurora, ON (CA)

(**) Term: **15 Years**

(21) Appl. No.: **29/579,705**

(22) Filed: **Oct. 3, 2016**

(51) **LOC (11) Cl.** **09-09**

(52) **U.S. Cl.**
USPC **D34/7**

(58) **Field of Classification Search**
USPC **D34/1-11**

(Continued)

(56) **References Cited**

U.S. PATENT DOCUMENTS

D586,521 S * 2/2009 Pho D34/11
D639,518 S * 6/2011 Zeulner D34/1

(Continued)

Primary Examiner — Cynthia Ramirez

(74) *Attorney, Agent, or Firm* — Clark & Brody

(57) **CLAIM**

The ornamental design for a combined waste and recycling bin, as shown and described.

DESCRIPTION

FIG. 1 is an above, front, right side perspective view of a combined waste and recycling bin according to a first embodiment, showing our new design with a lid in a closed position;

FIG. 2 is a perspective view of the combined waste and recycling bin of FIG. 1, taken from below and to a left-rear side thereof;

FIG. 3 is a top plan view of the combined waste and recycling bin of FIG. 1;

FIG. 4 is a bottom plan view of the combined waste and recycling bin of FIG. 1;

FIG. 5 is a front elevation view of the combined waste and recycling bin of FIG. 1;

FIG. 6 is a rear elevation view of the combined waste and recycling bin of FIG. 1;

FIG. 7 is a left side elevation view of the combined waste and recycling bin of FIG. 1;

FIG. 8 is a right side elevation view of the combined waste and recycling bin of FIG. 1;

FIG. 9 is a perspective view of the combined waste and recycling bin of FIG. 1 with a lid thereof in an open position, taken from above and to the right-front side thereof;

FIG. 10 is a perspective view of the combined waste and recycling bin of FIG. 9, taken from below and to the left-rear side thereof;

FIG. 11 is a top plan view of the combined waste and recycling bin of FIG. 9;

FIG. 12 is a bottom plan view of the combined waste and recycling bin of FIG. 9;

FIG. 13 is a front elevation view of the combined waste and recycling bin of FIG. 9;

FIG. 14 is a rear elevation view of the combined waste and recycling bin of FIG. 9;

FIG. 15 is a left side elevation view of the combined waste and recycling bin of FIG. 9;

FIG. 16 is a right side elevation view of the combined waste and recycling bin of FIG. 9;

FIG. 17 is an above, front, right side perspective view of a combined waste and recycling bin according to a second embodiment showing our new design with a lid in a closed position;

FIG. 18 is a perspective view of the combined waste and recycling bin of FIG. 17, taken from below and to a left-rear side thereof;

FIG. 19 is a top plan view of the combined waste and recycling bin of FIG. 17;

(Continued)

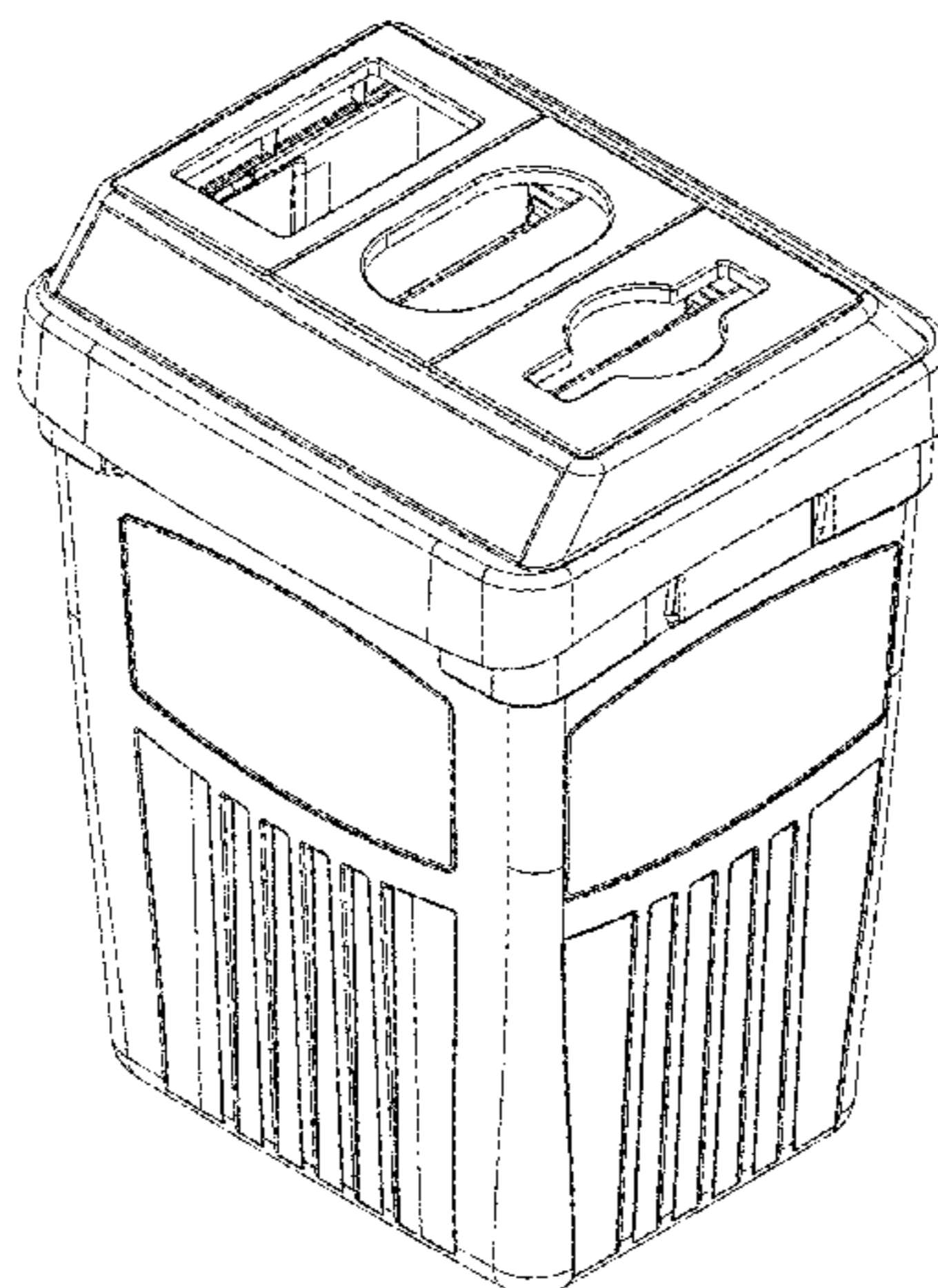


FIG. 20 is a bottom plan view of the combined waste and recycling bin of FIG. 17;
FIG. 21 is a front elevation view of the combined waste and recycling bin of FIG. 17;
FIG. 22 is a rear elevation view of the combined waste and recycling bin of FIG. 17;
FIG. 23 is a left side elevation view of the combined waste and recycling bin of FIG. 17;
FIG. 24 is a right side elevation view of the combined waste and recycling bin of FIG. 17;
FIG. 25 is a perspective view of the combined waste and recycling bin of FIG. 17 with a lid thereof in an open position, taken from above and to the right-front side thereof;
FIG. 26 is a perspective view of the combined waste and recycling bin of FIG. 25, taken from below and to the left-rear side thereof;
FIG. 27 is a top plan view of the combined waste and recycling bin of FIG. 25;
FIG. 28 is a bottom plan view of the combined waste and recycling bin of FIG. 25;
FIG. 29 is a front elevation view of the combined waste and recycling bin of FIG. 25;
FIG. 30 is a rear elevation view of the combined waste and recycling bin of FIG. 25;

FIG. 31 is a left side elevation view of the combined waste and recycling bin of FIG. 25; and,
FIG. 32 is a right side elevation view of the combined waste and recycling bin of FIG. 25.

1 Claim, 30 Drawing Sheets

(58) **Field of Classification Search**

CPC B65F 1/1607; B65F 1/067; B03B 9/06;
B07B 13/00

See application file for complete search history.

(56) **References Cited**

U.S. PATENT DOCUMENTS

D681,301	S *	4/2013	Bennie	D34/1
9,051,119	B2	6/2015	Jarrett et al.		
D757,385	S *	5/2016	Peake-Atkins	D34/7
2011/0024430	A1 *	2/2011	Meissen	B65F 1/02 220/495.08
2014/0291328	A1 *	10/2014	Jarrett	B65F 1/0046 220/495.07
2015/0336739	A1 *	11/2015	Presnell	B65F 1/0053 220/23.83

* cited by examiner

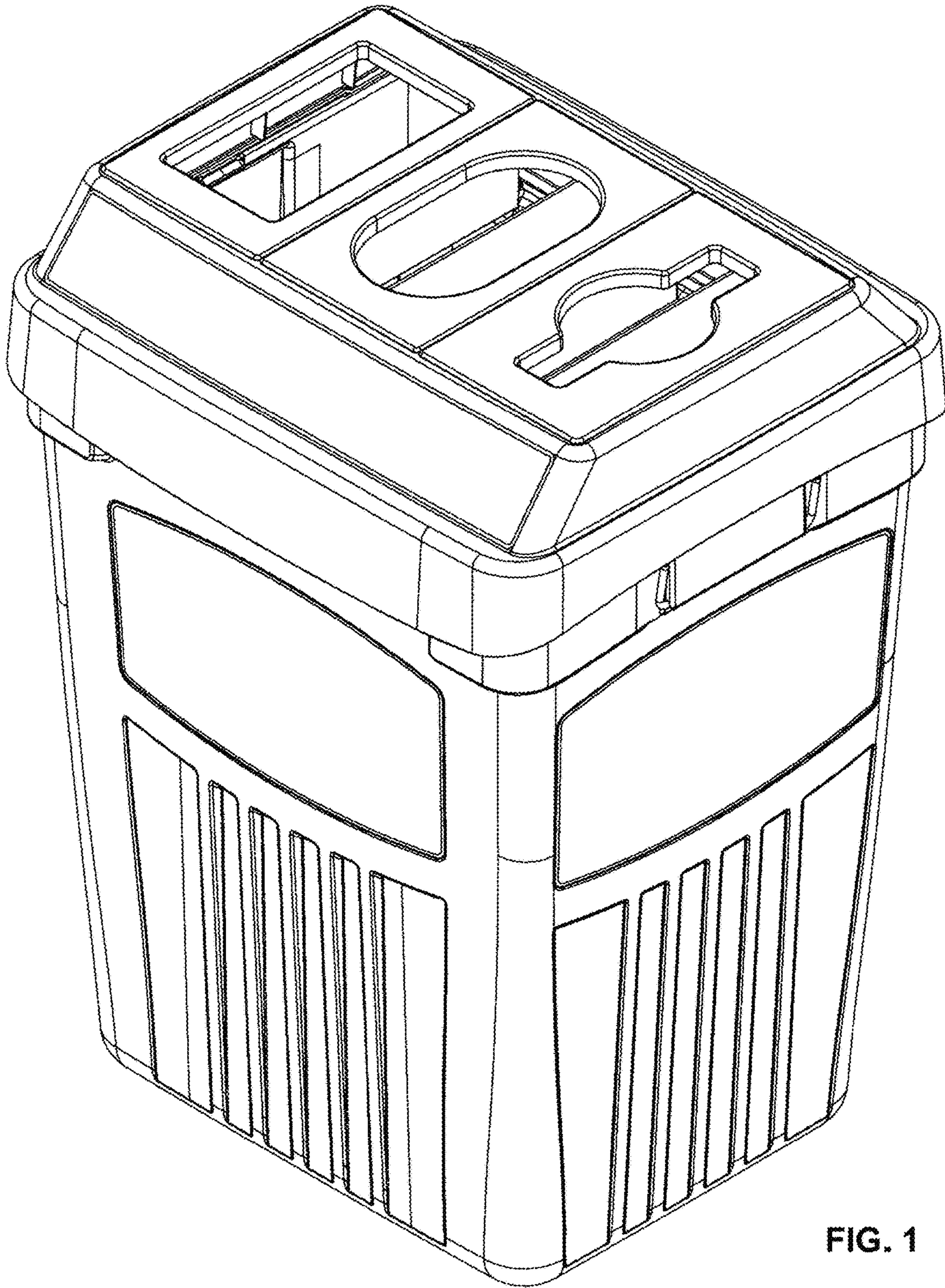


FIG. 1

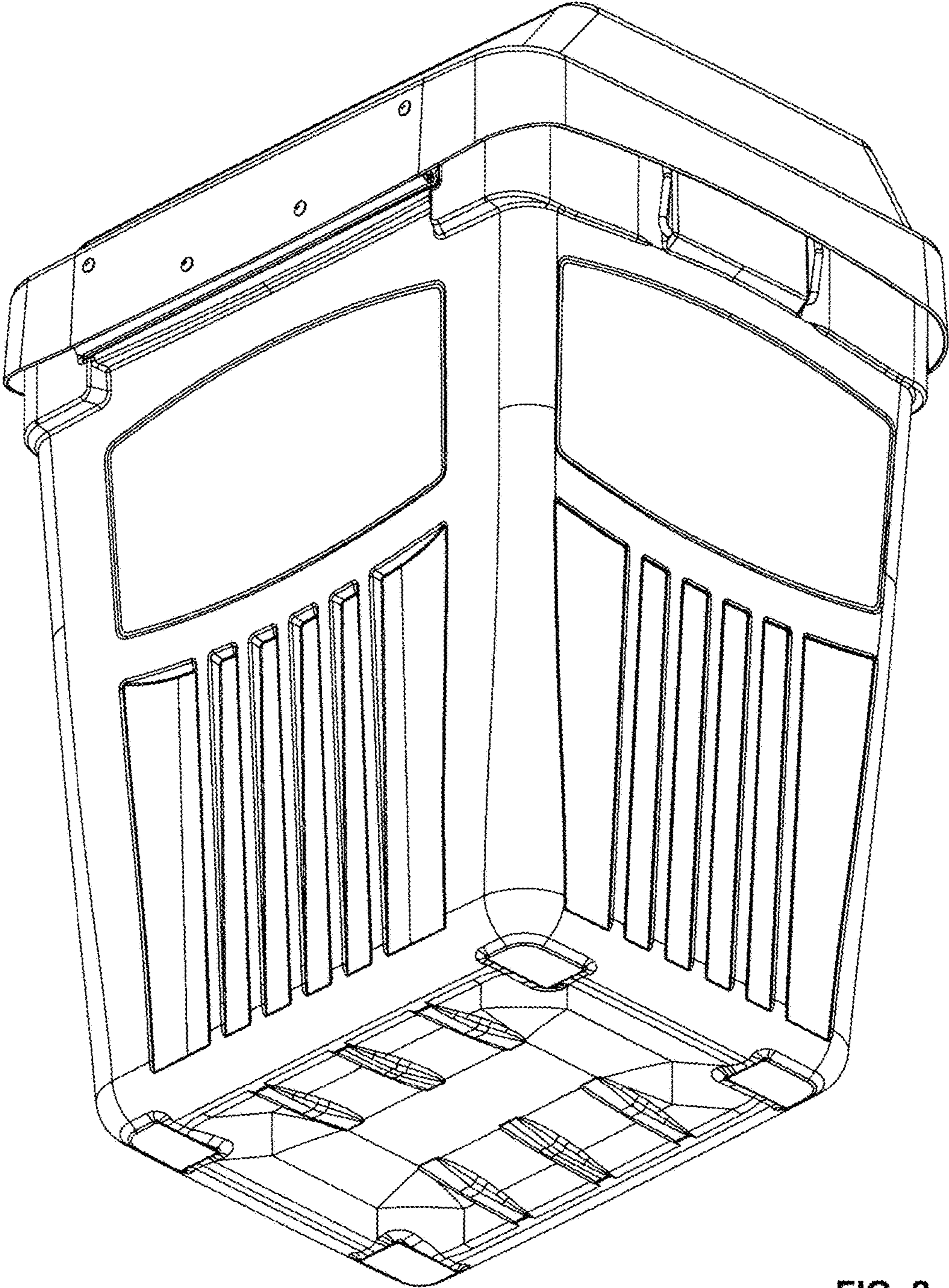


FIG. 2

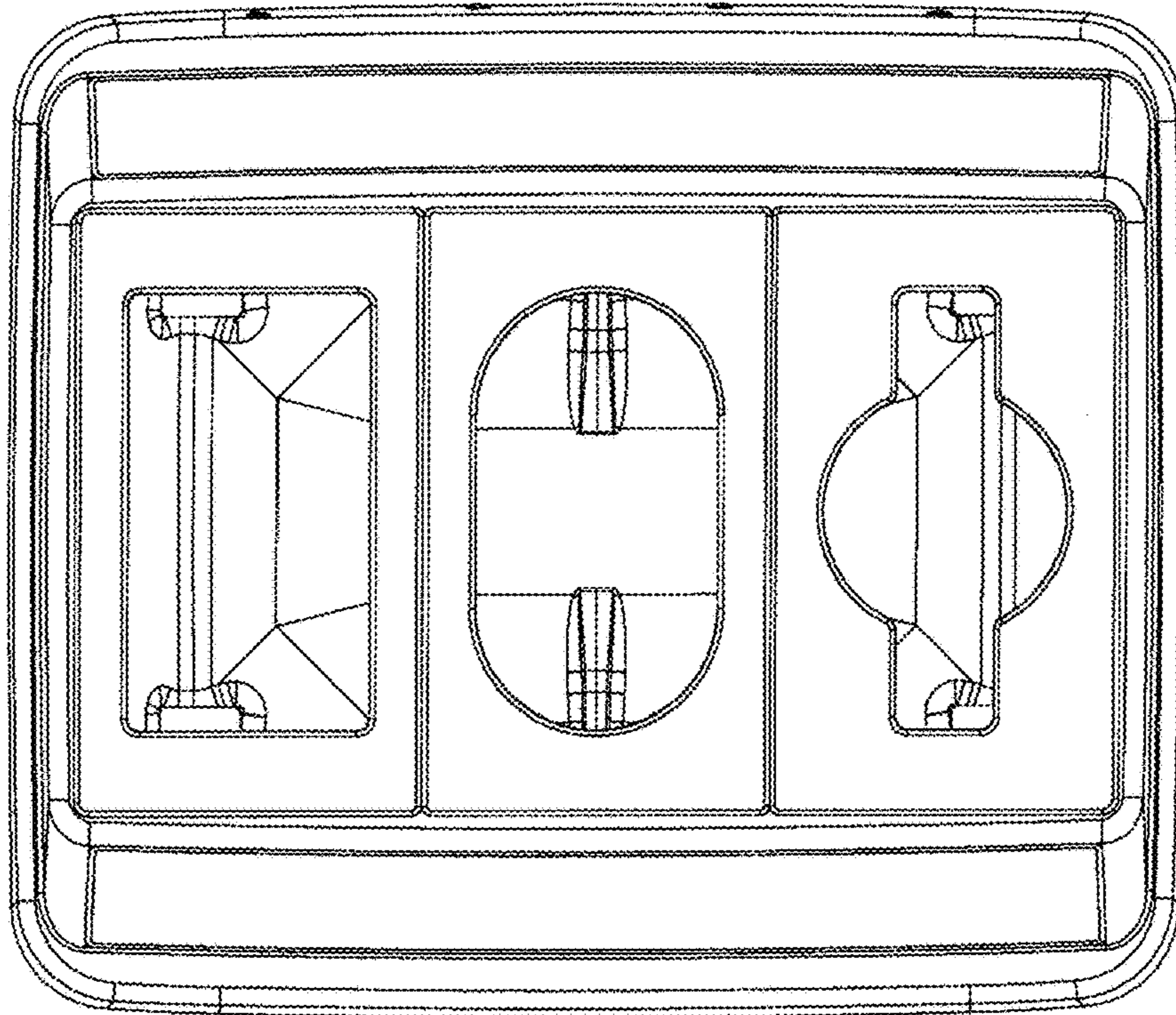


FIG. 3

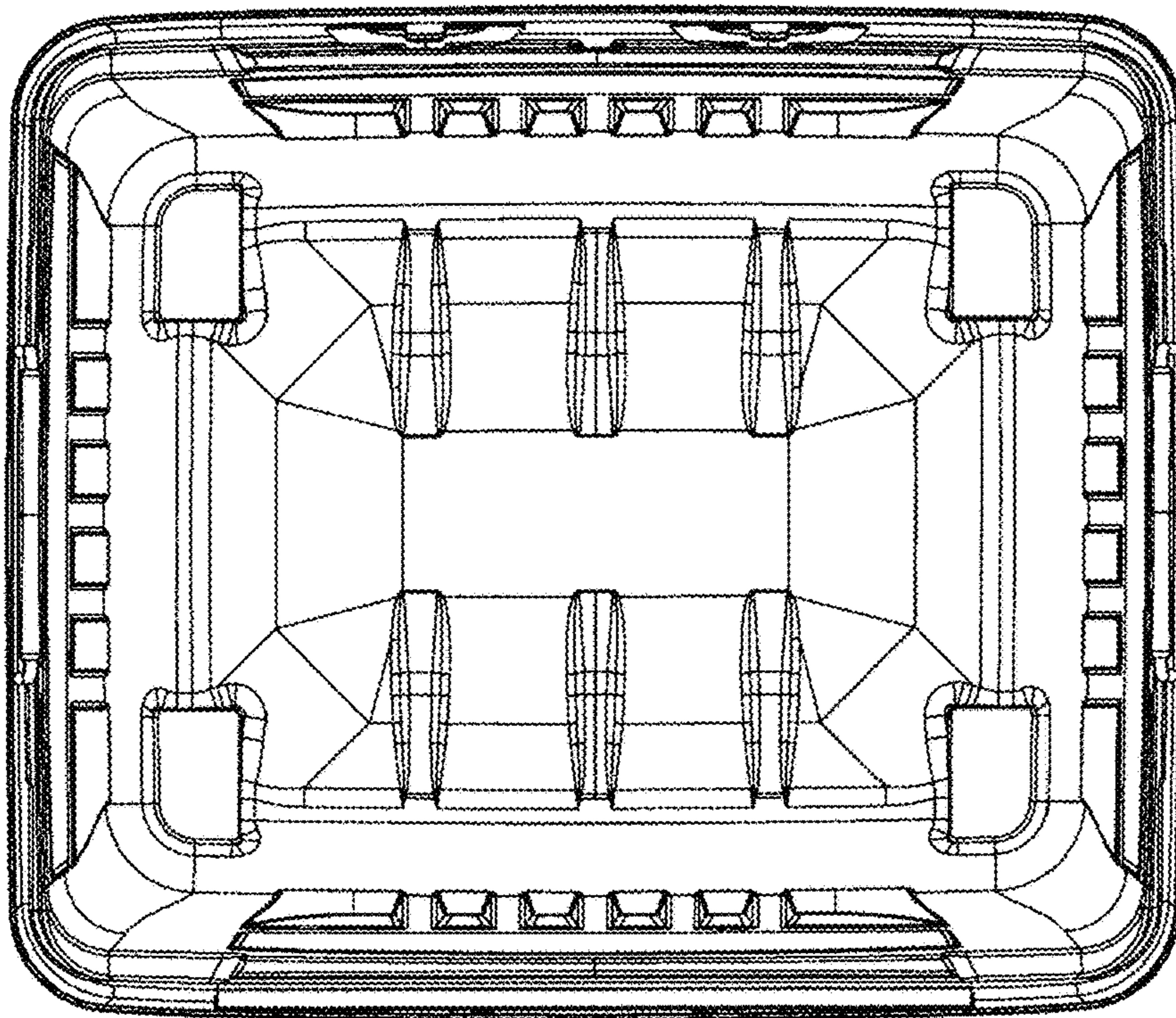


FIG. 4

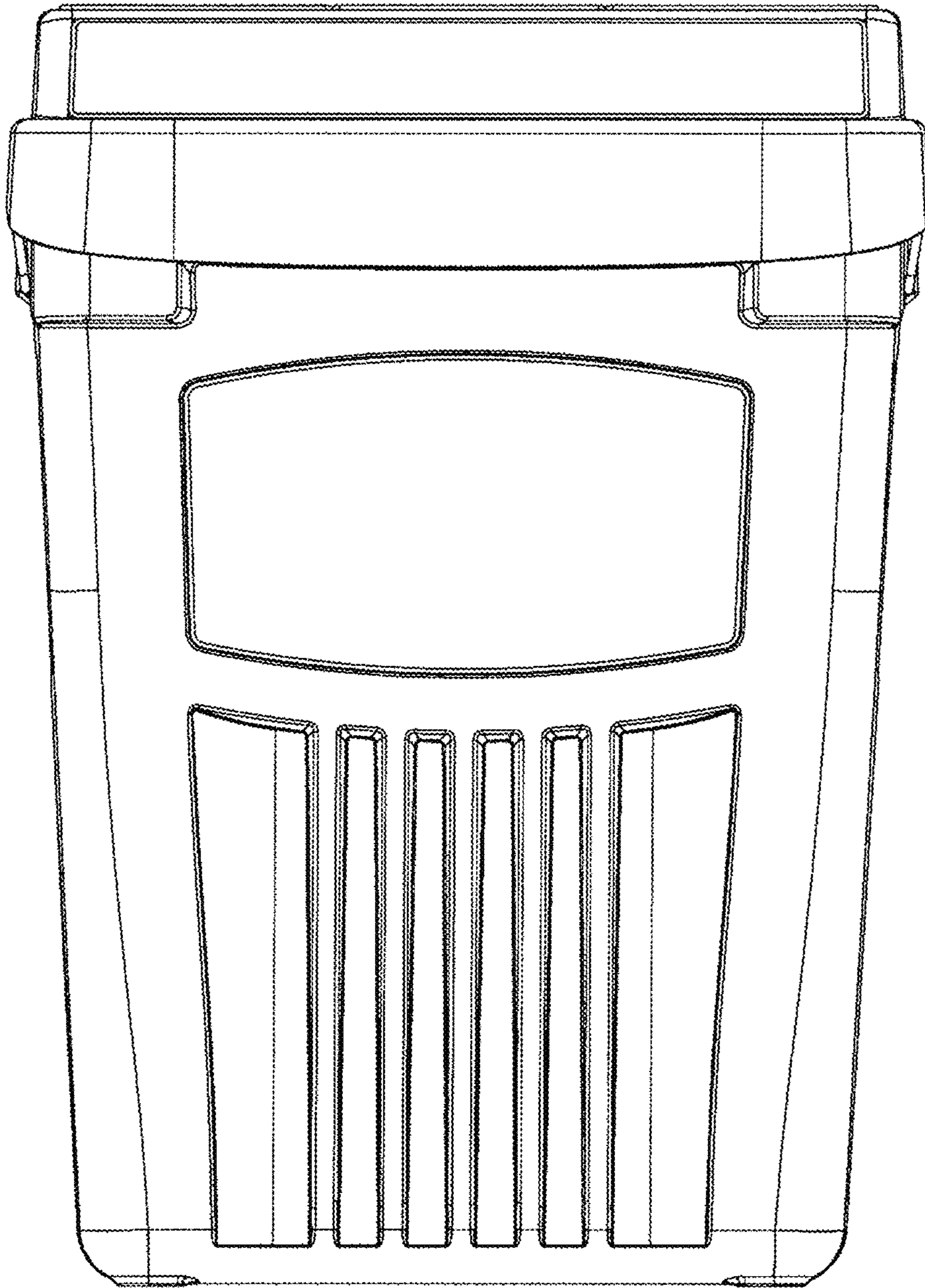


FIG. 5

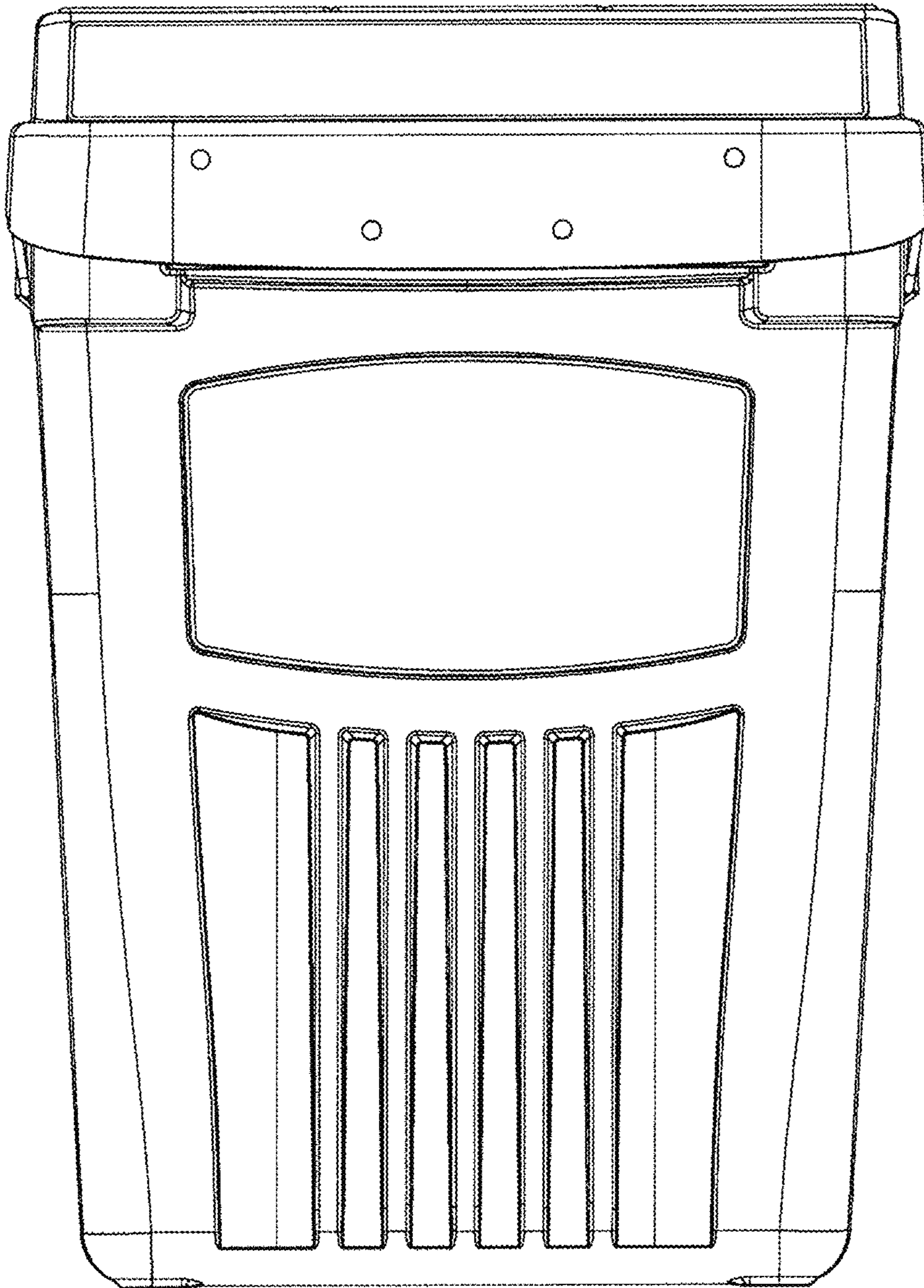


FIG. 6

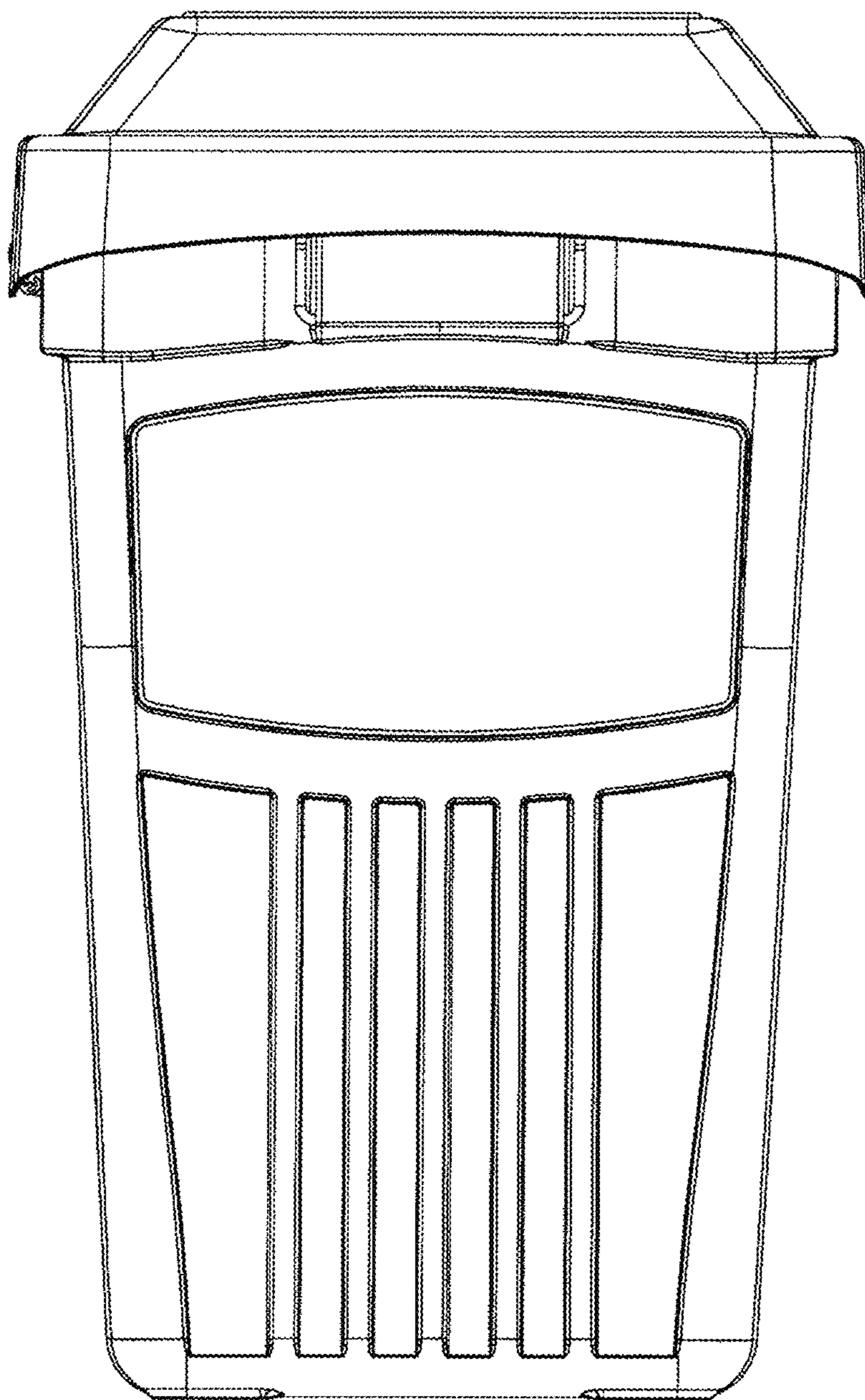


FIG. 7

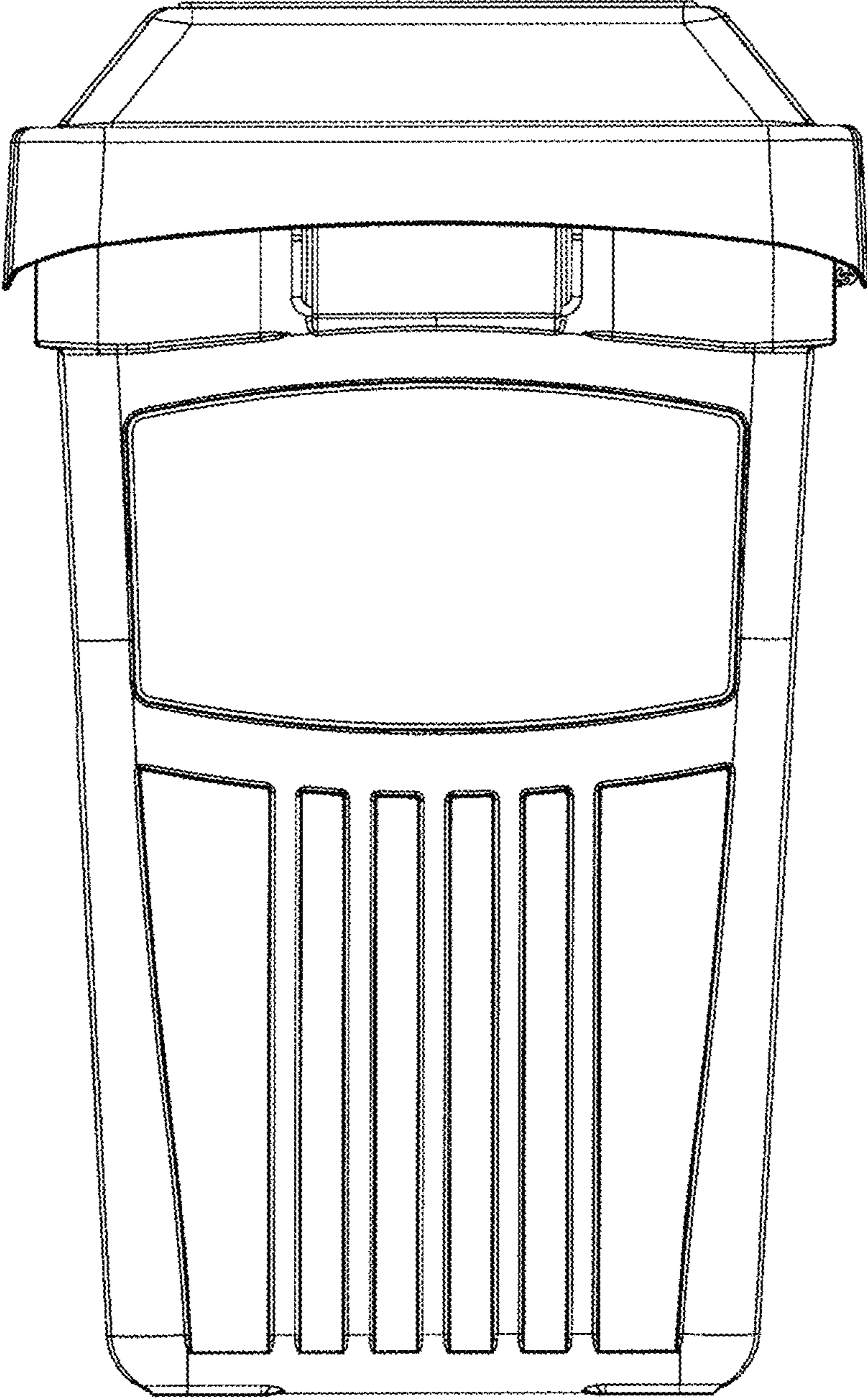


FIG. 8

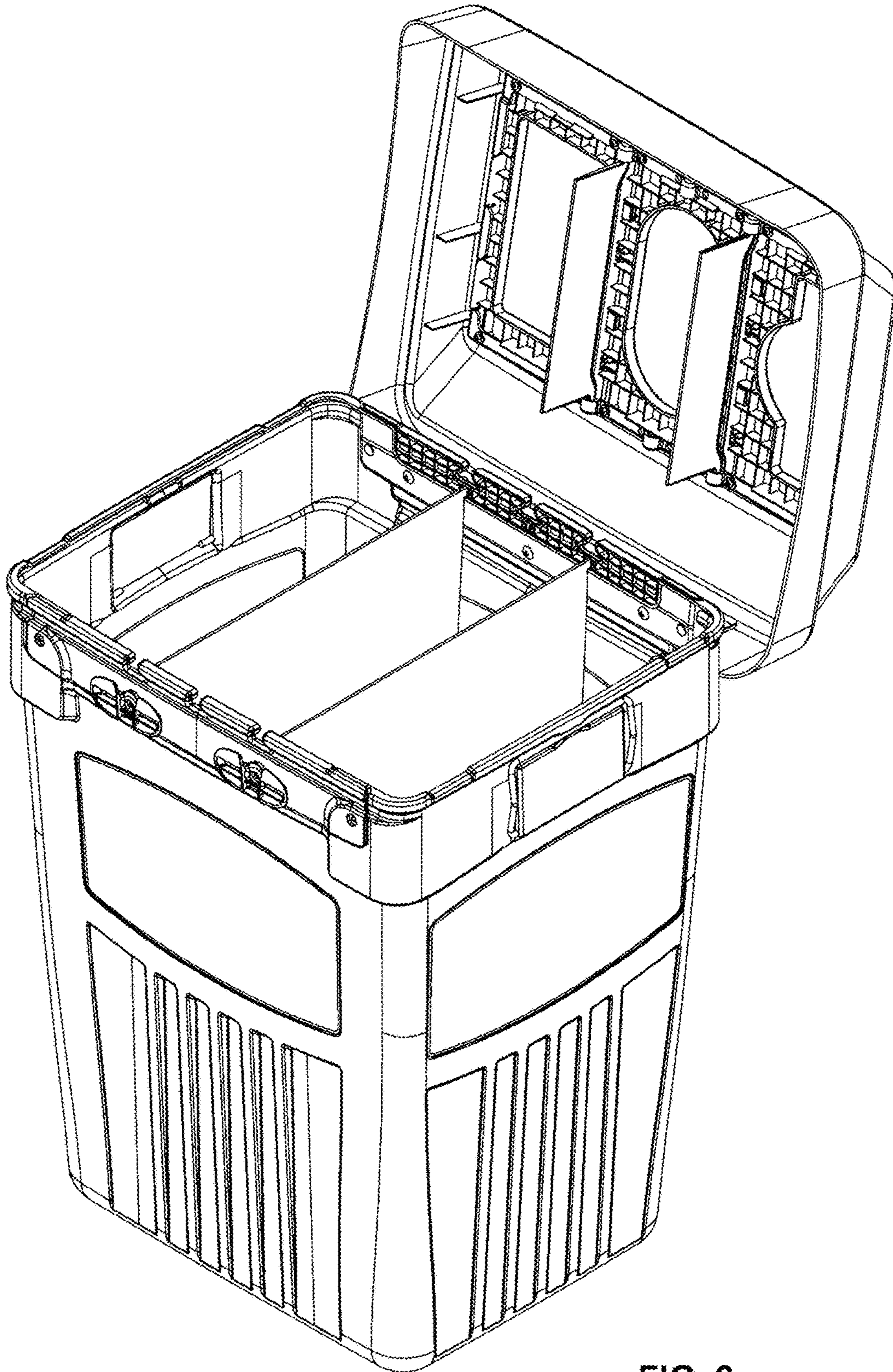


FIG. 9

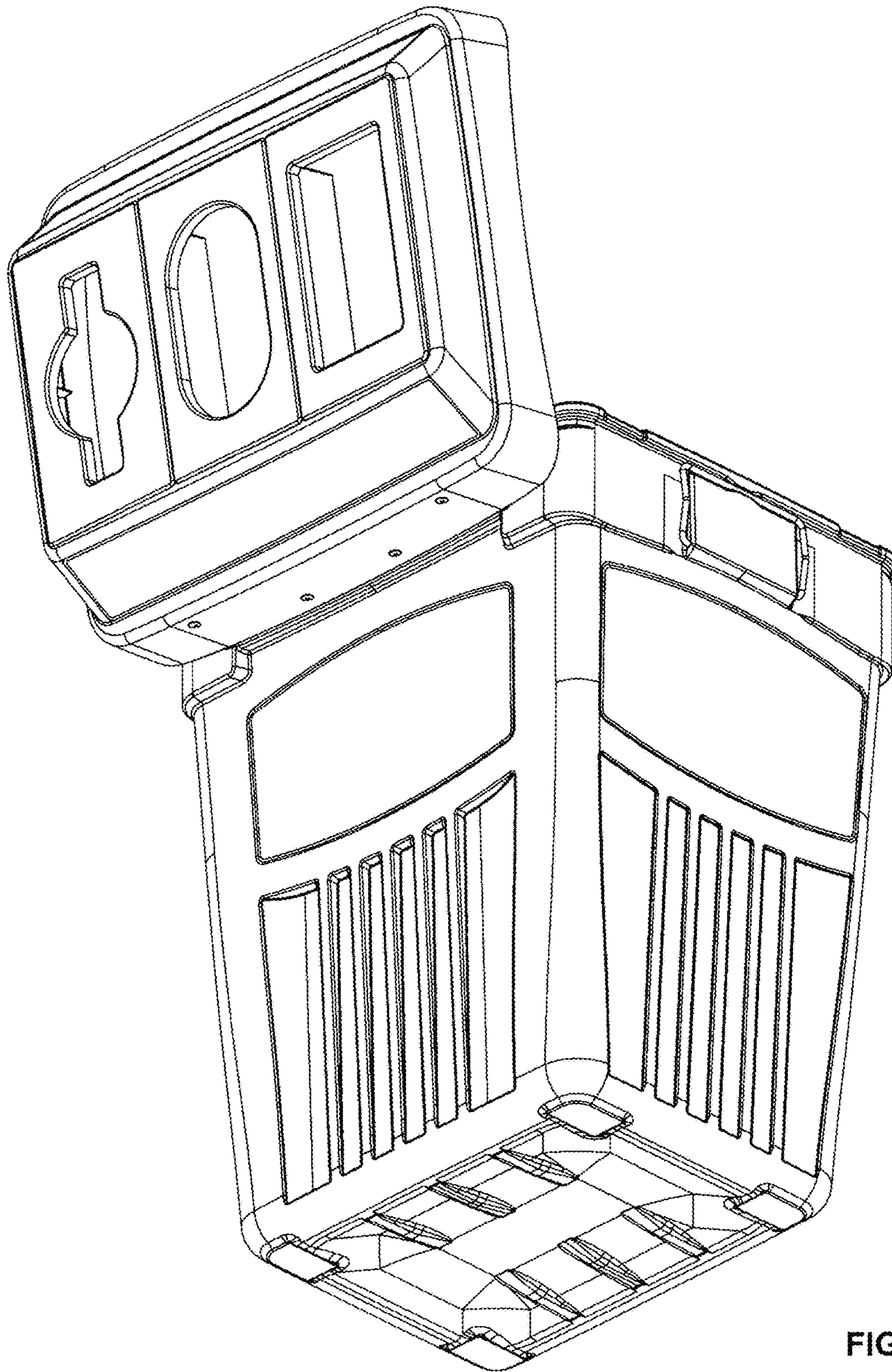


FIG. 10

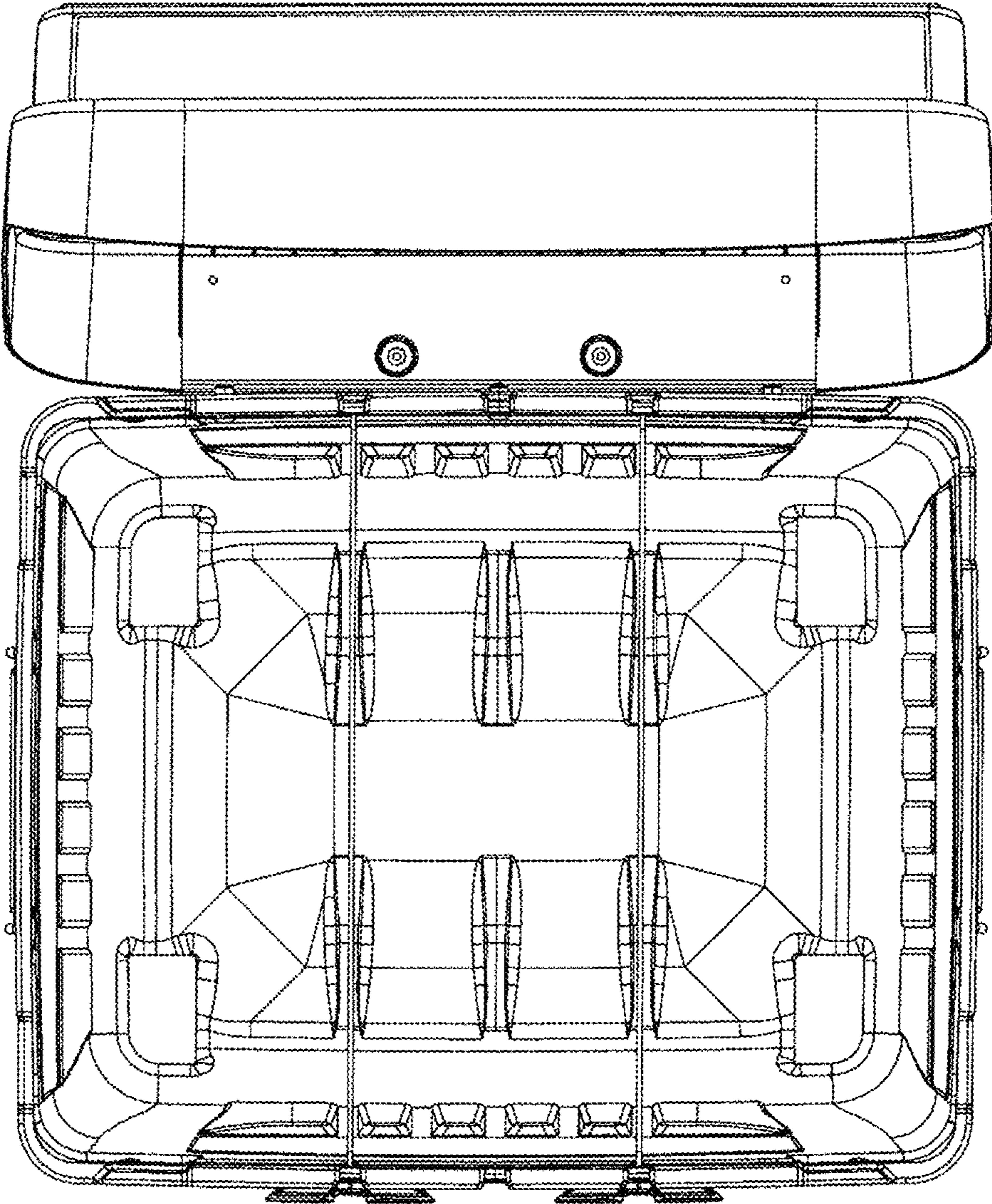


FIG. 11

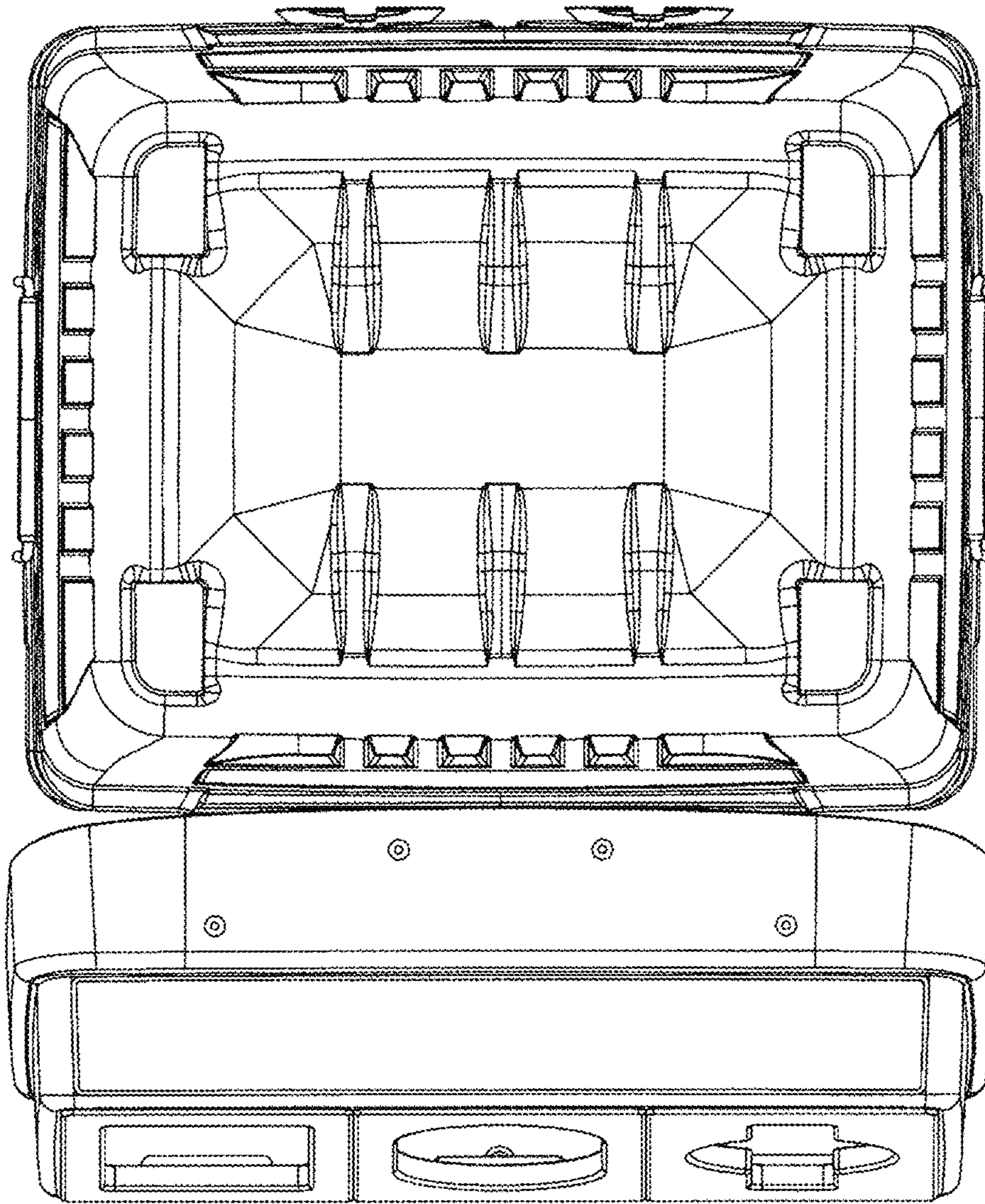


FIG. 12

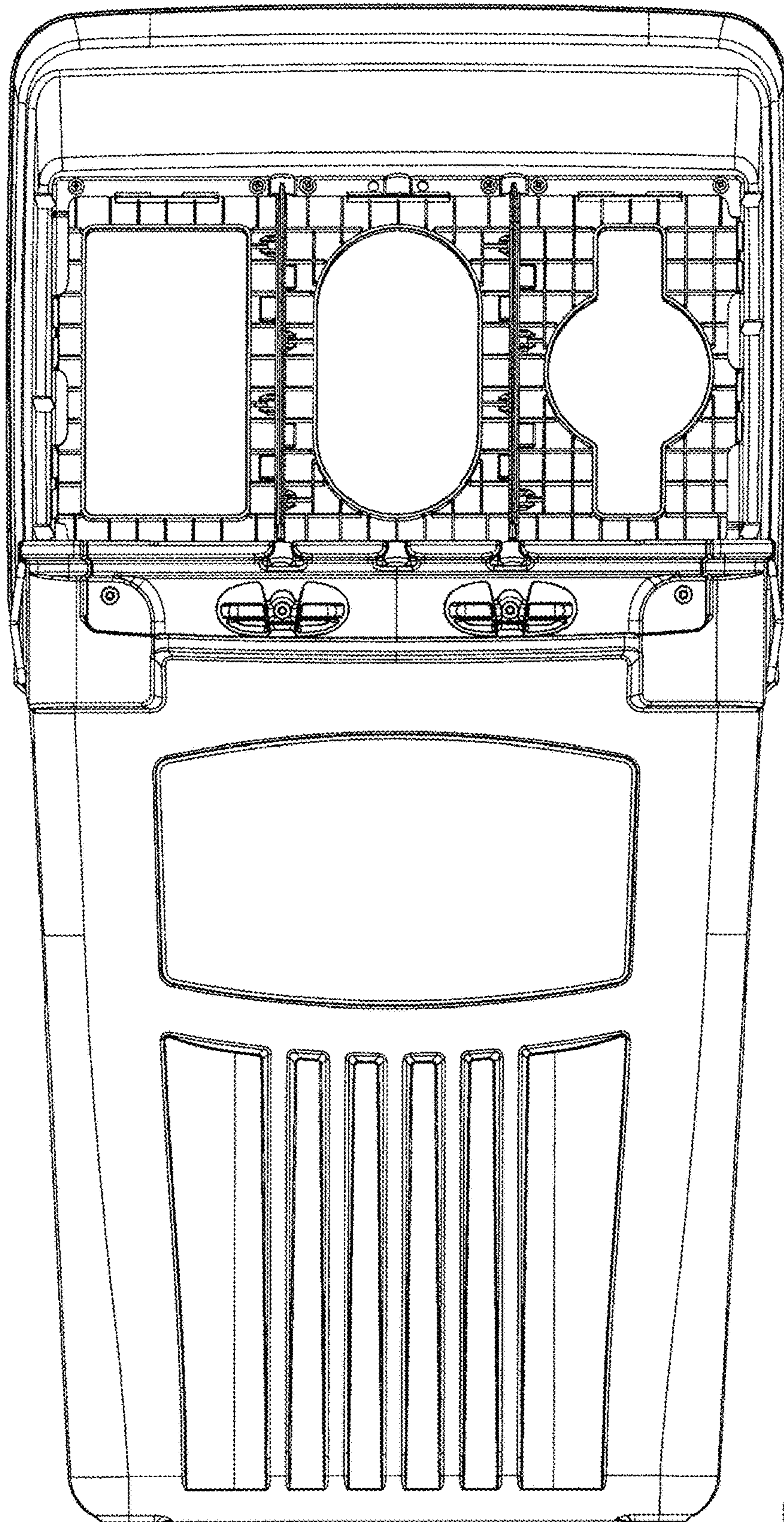


FIG. 13

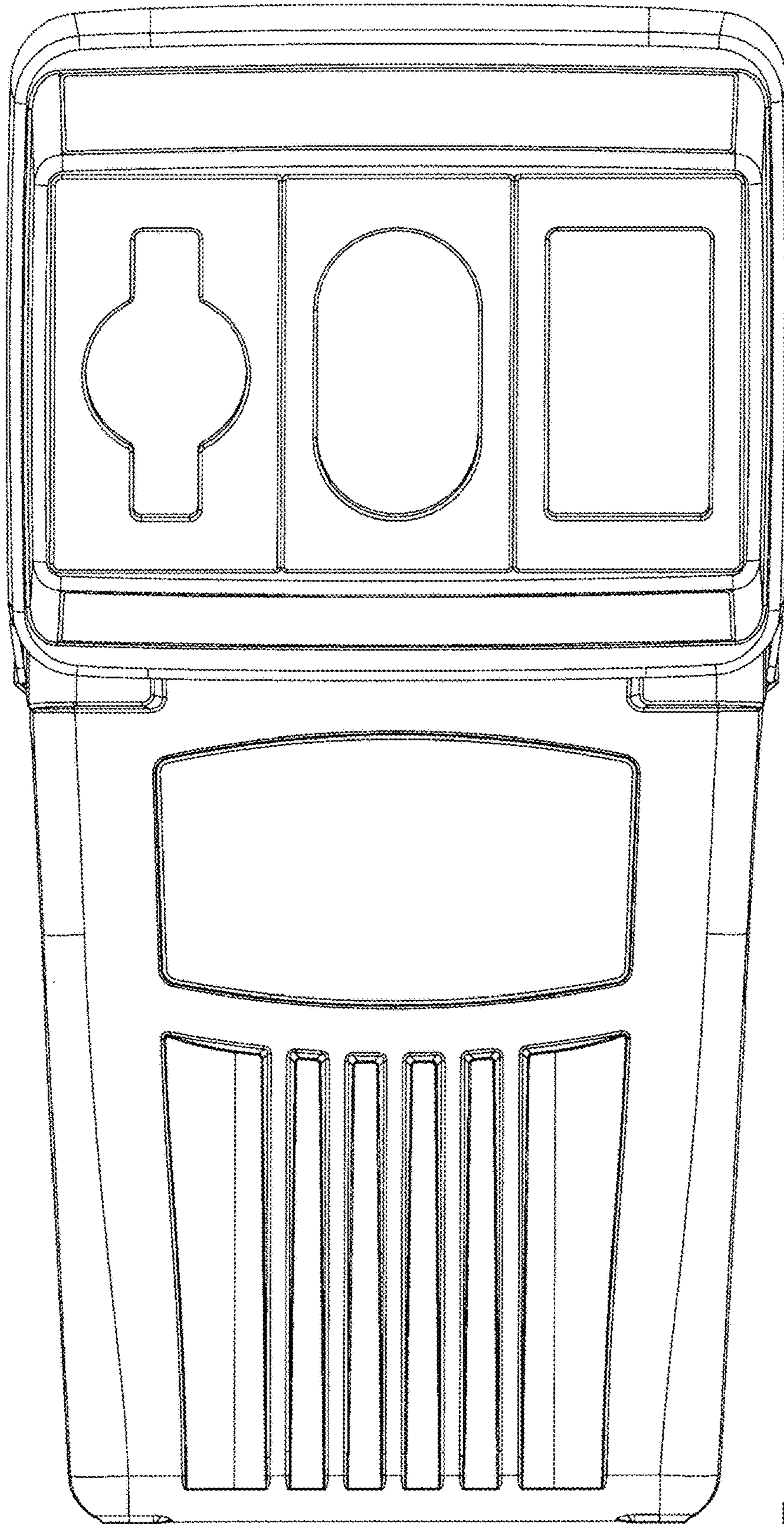


FIG. 14

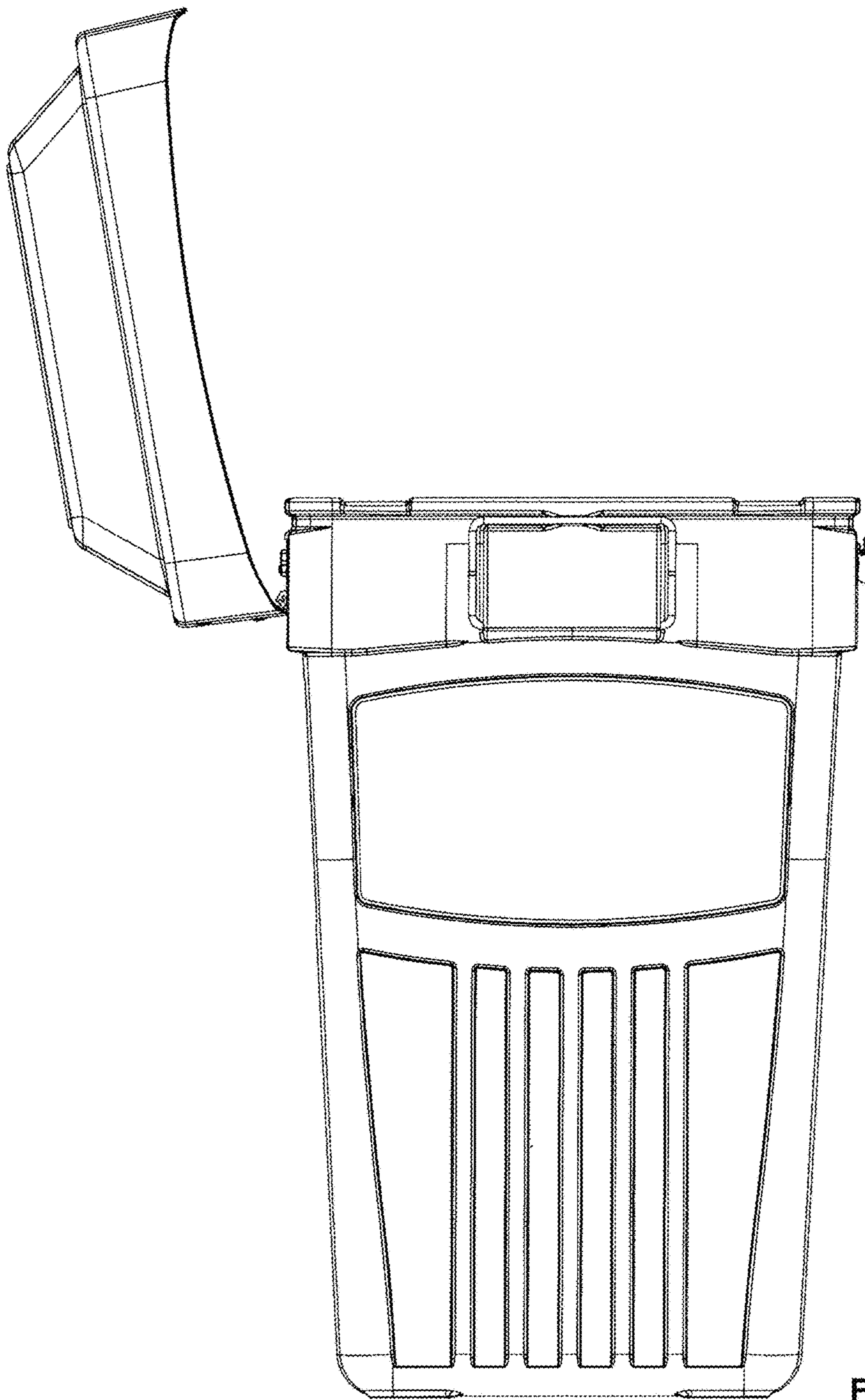


FIG. 15

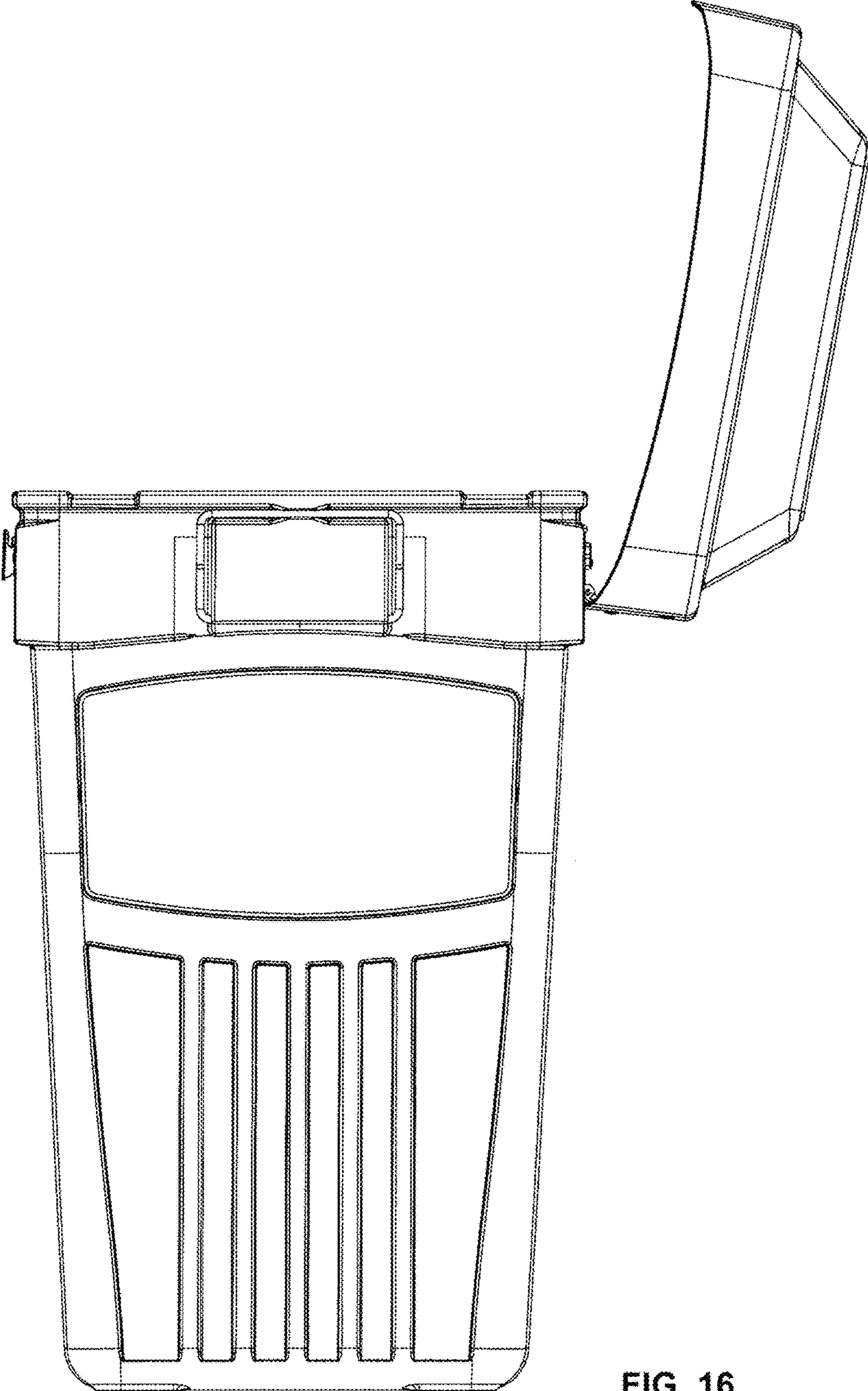


FIG. 16

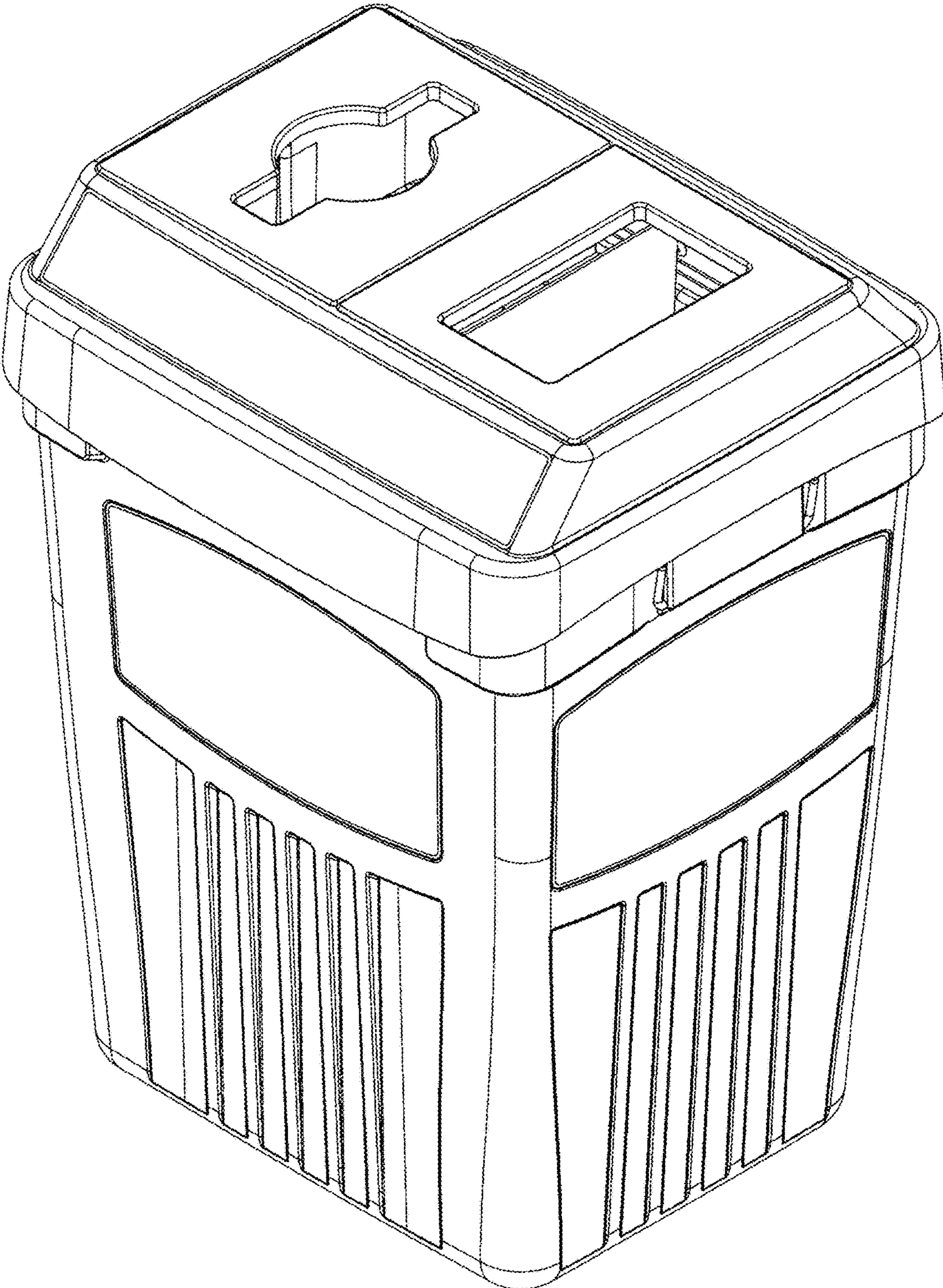


FIG. 17

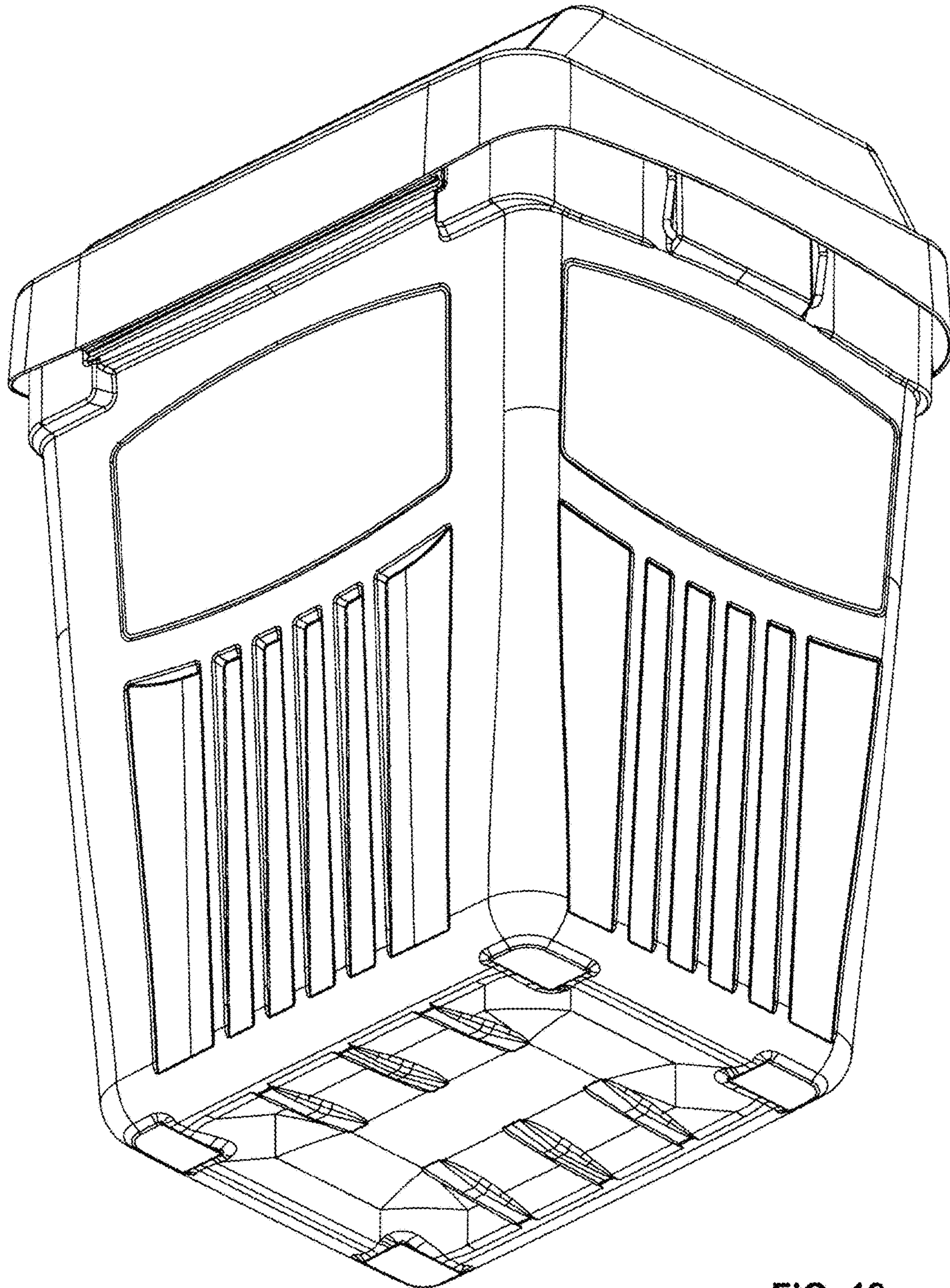


FIG. 18

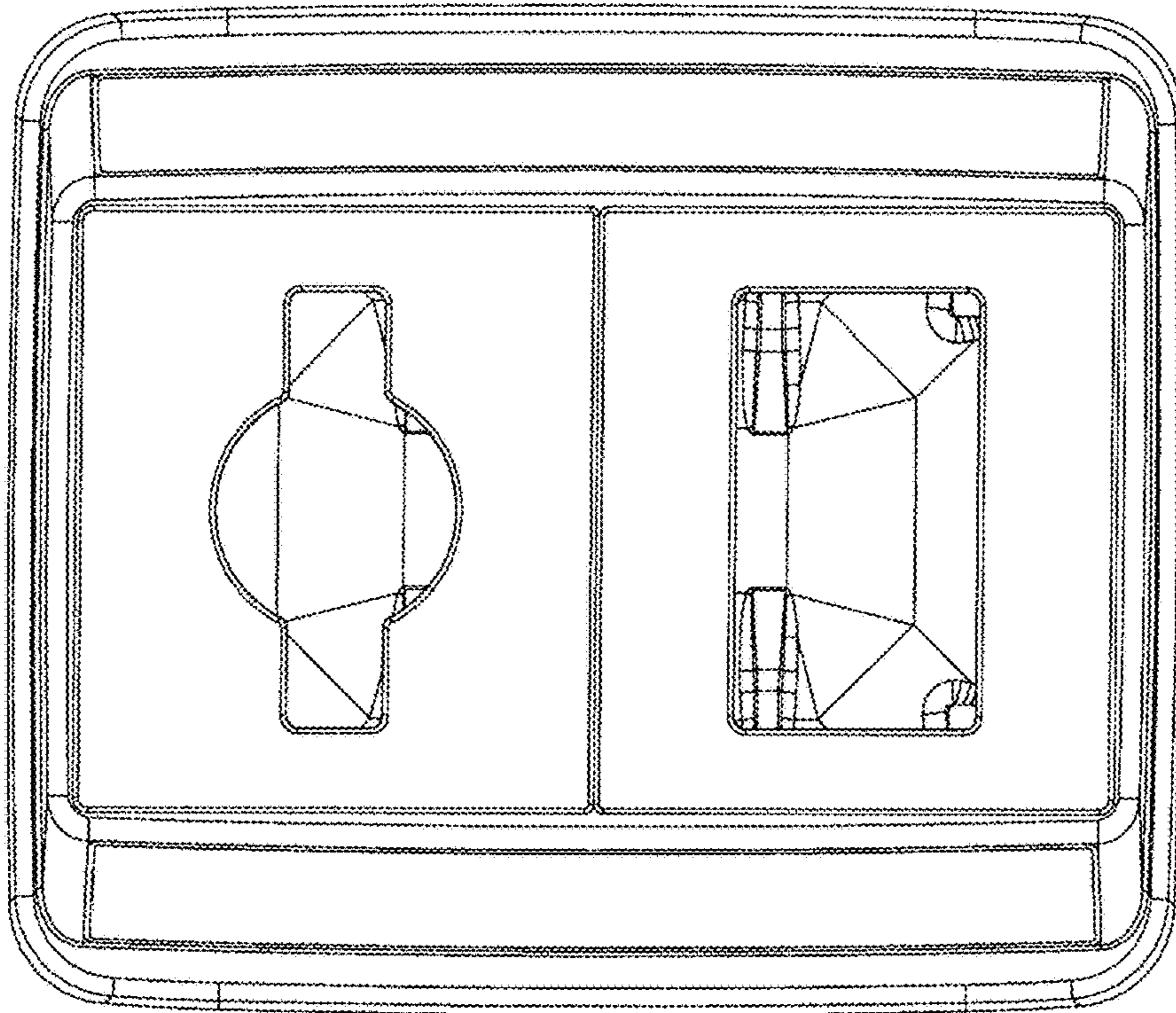


FIG. 19

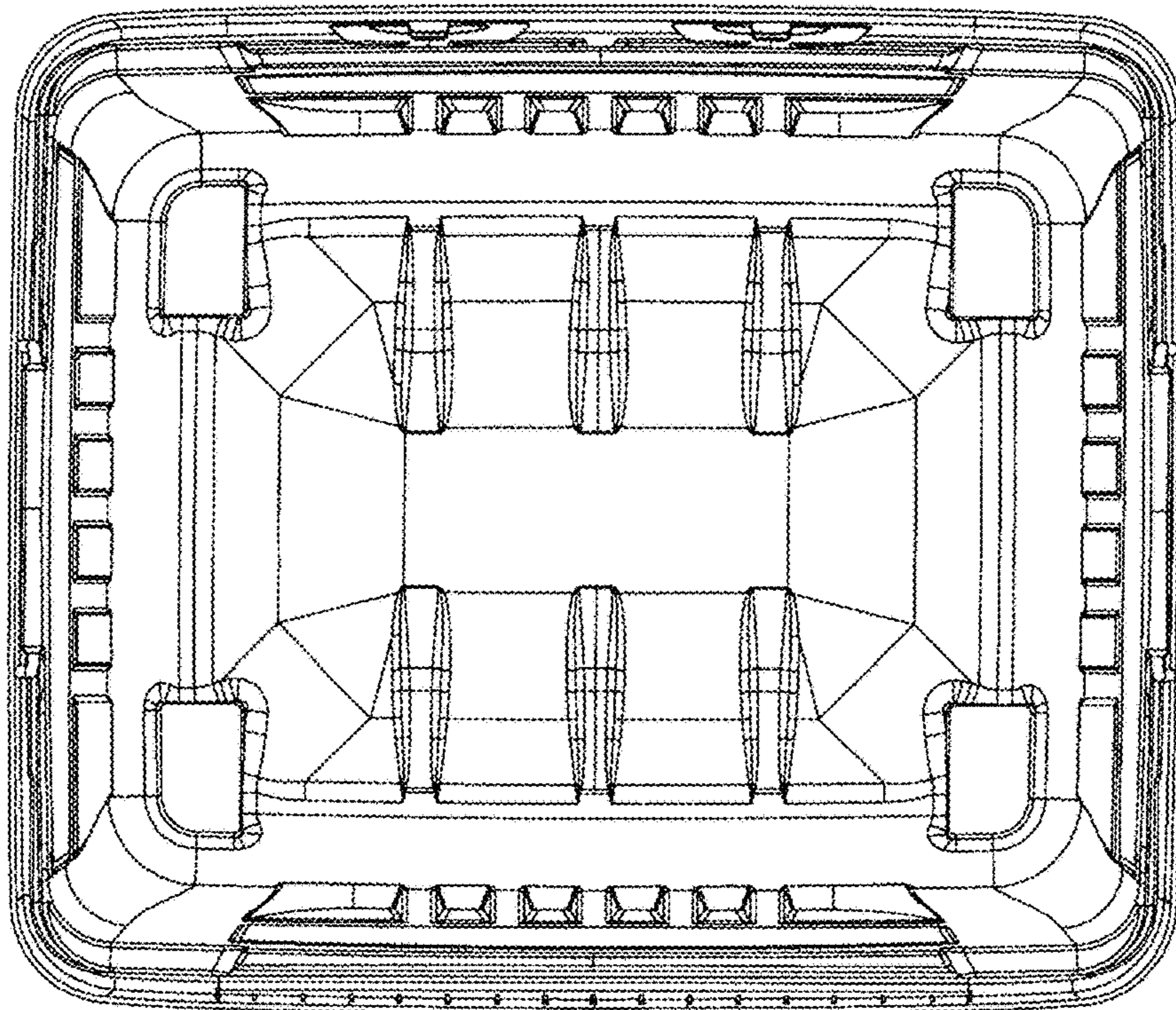


FIG. 20

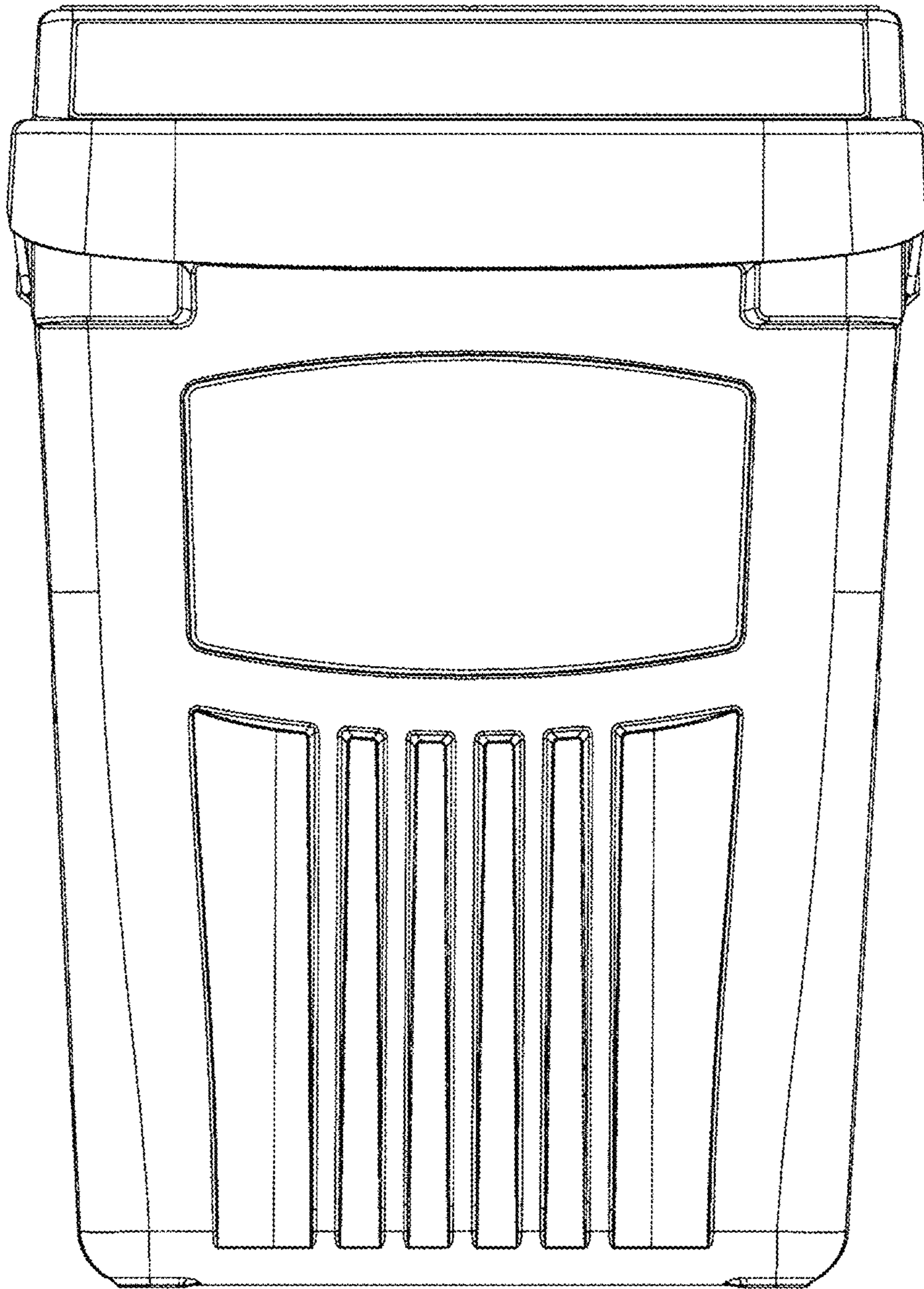


FIG. 21

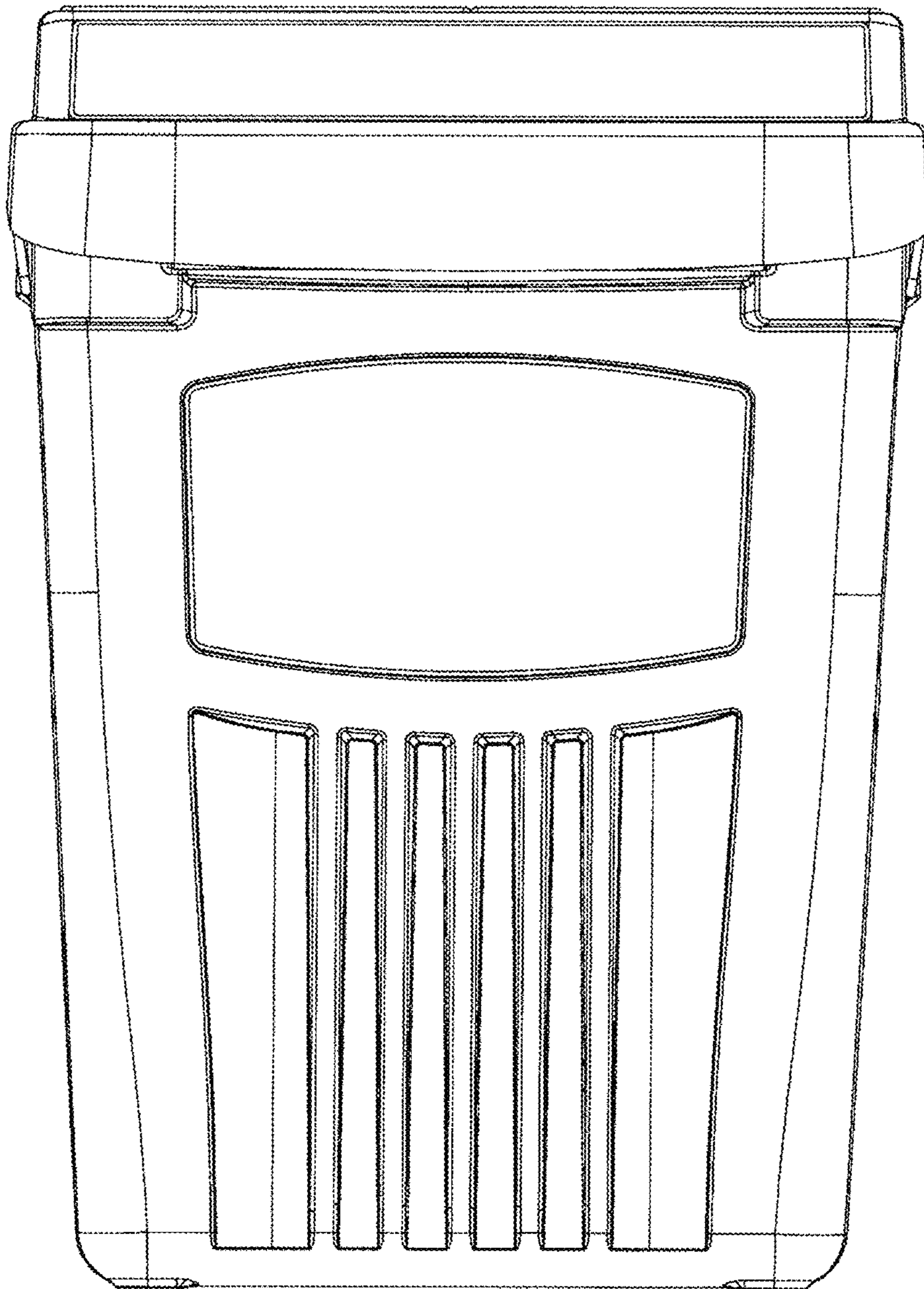


FIG. 22

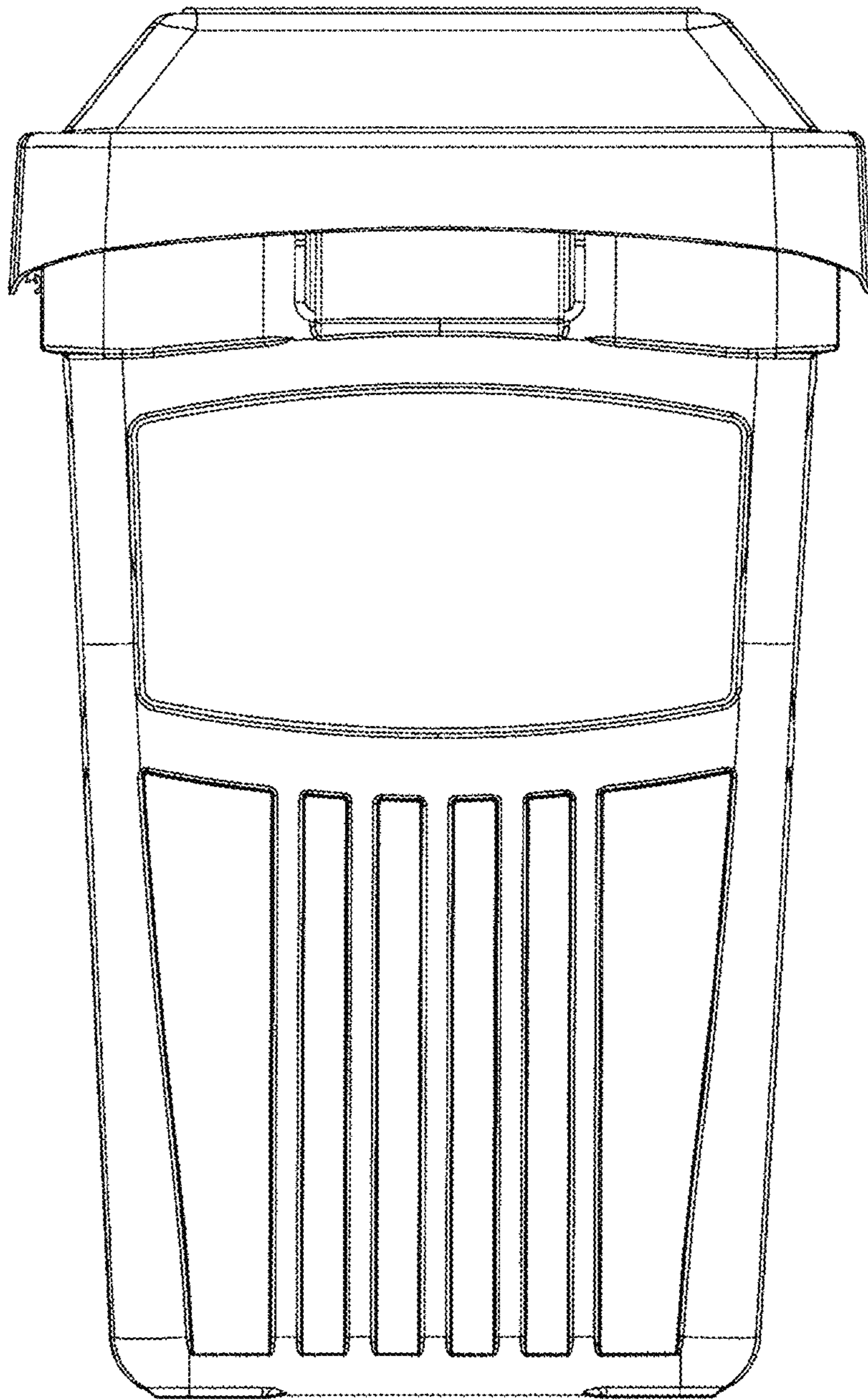


FIG. 23

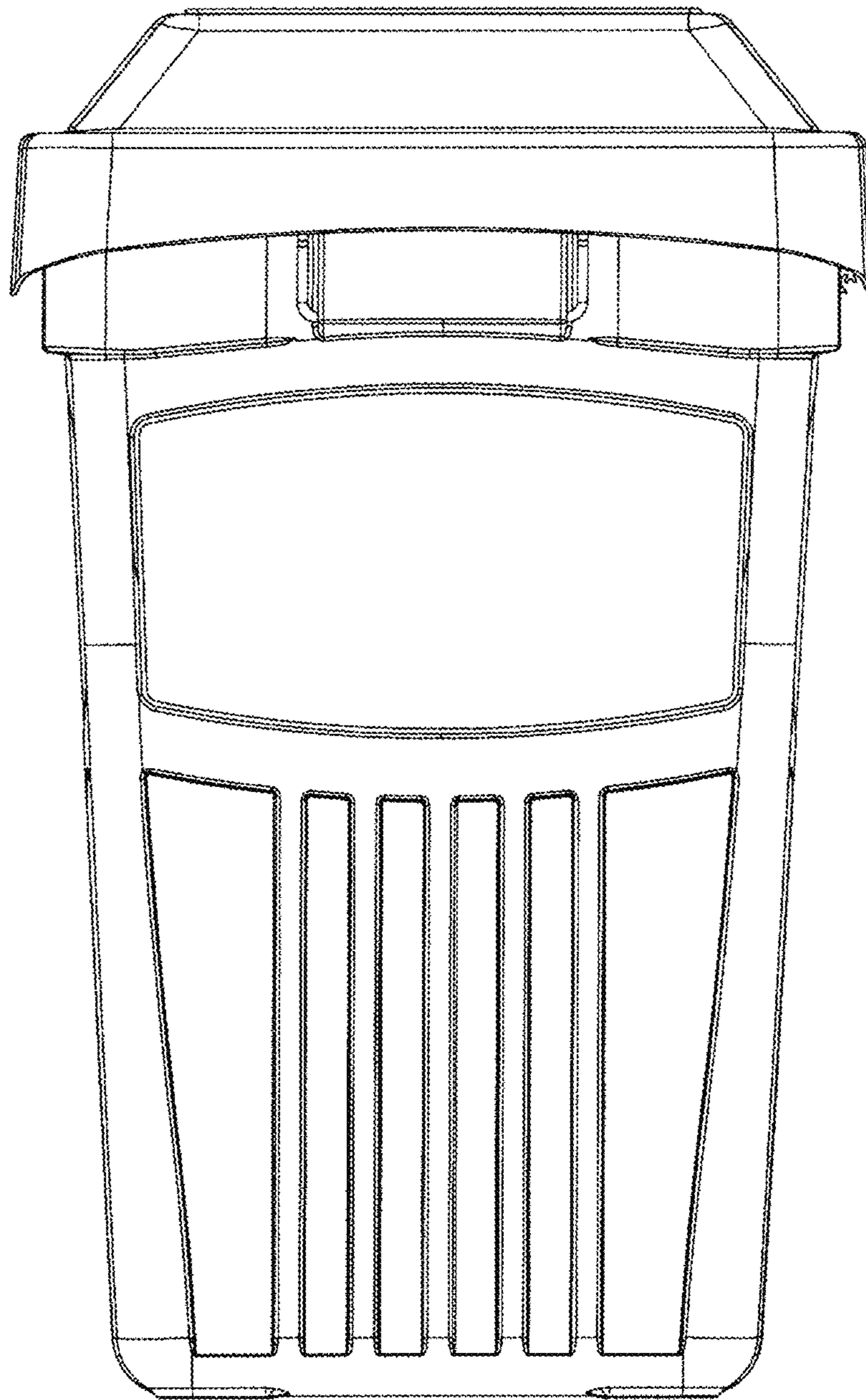


FIG. 24

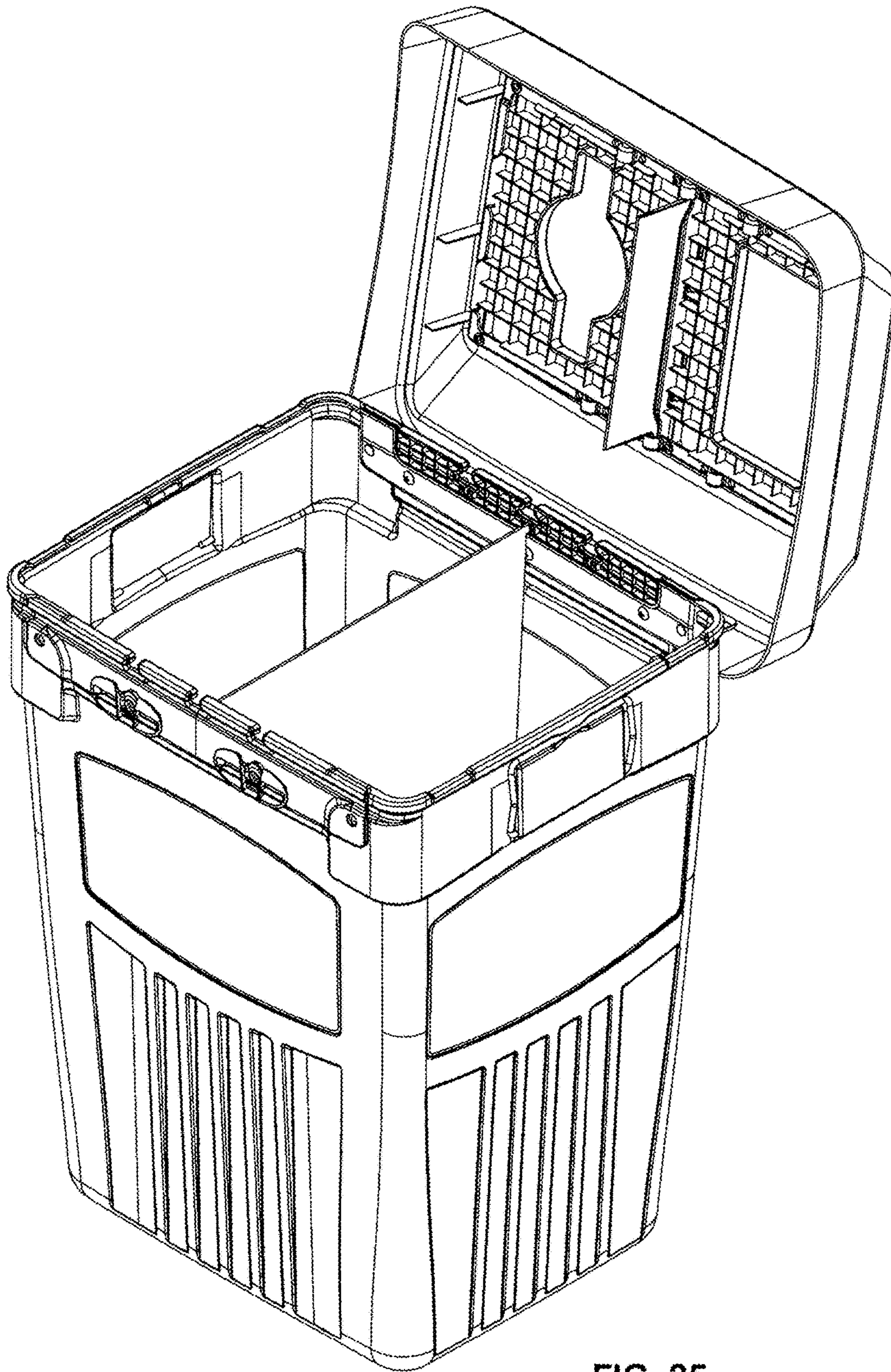


FIG. 25

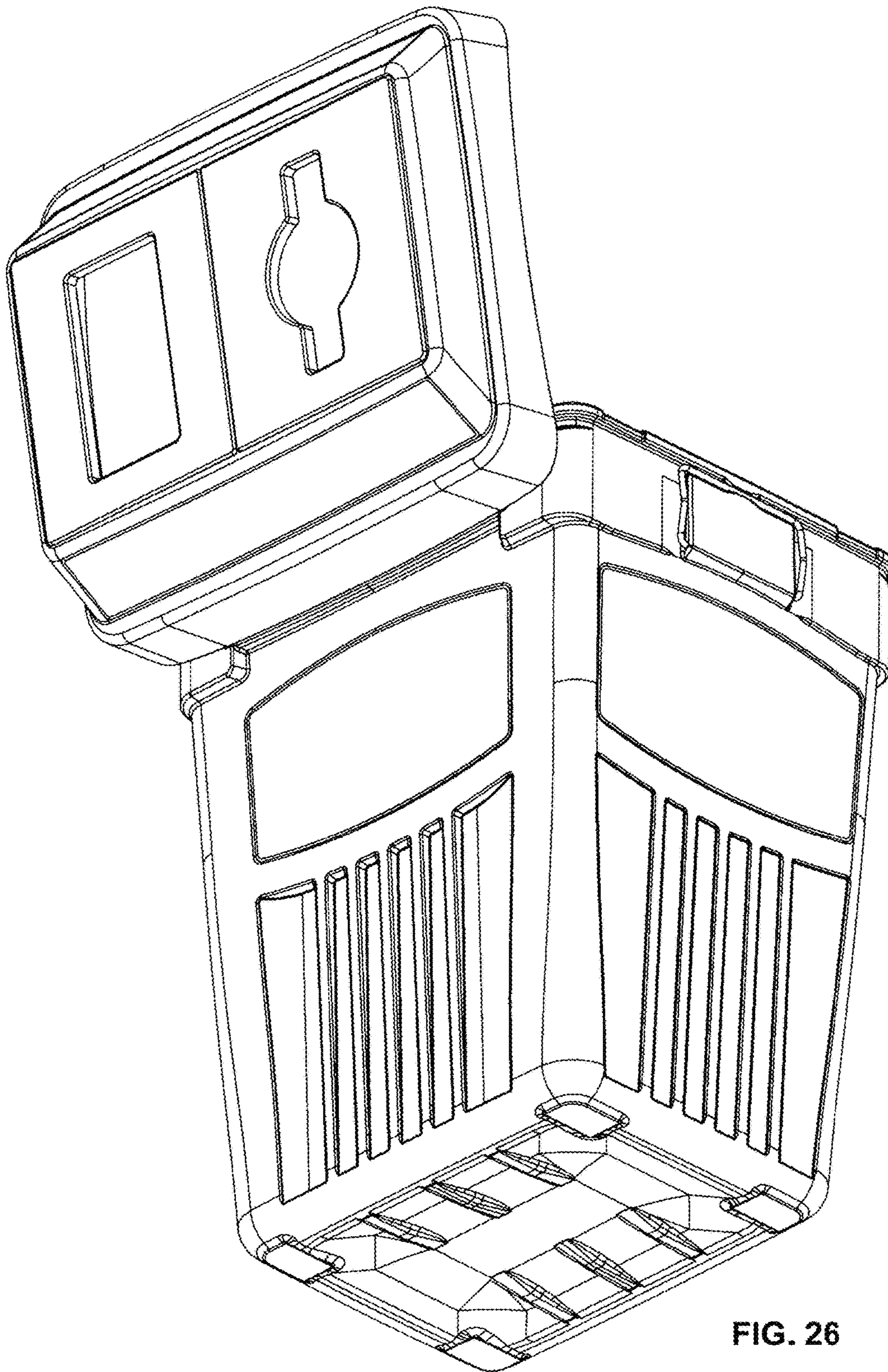


FIG. 26

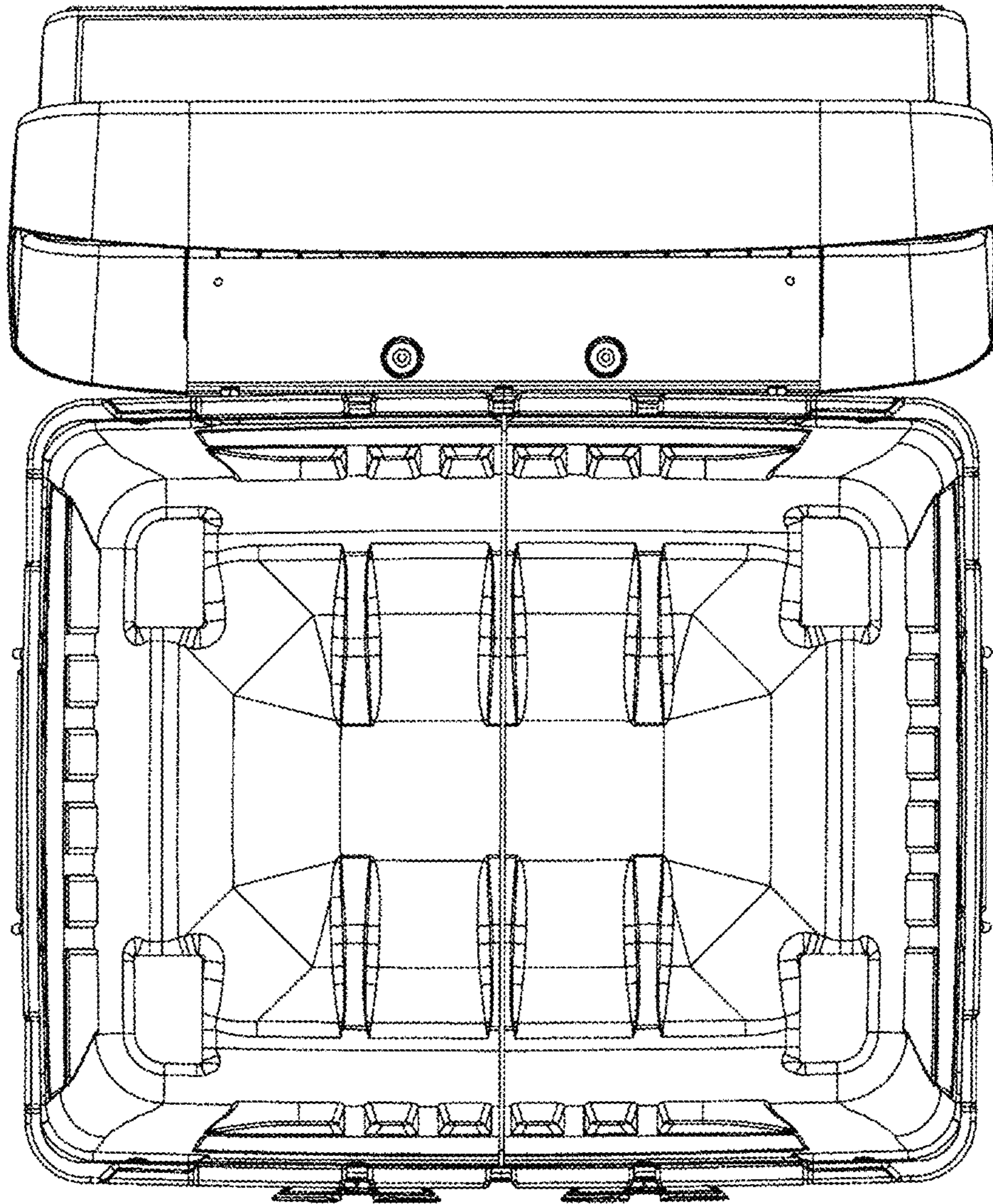


FIG. 27

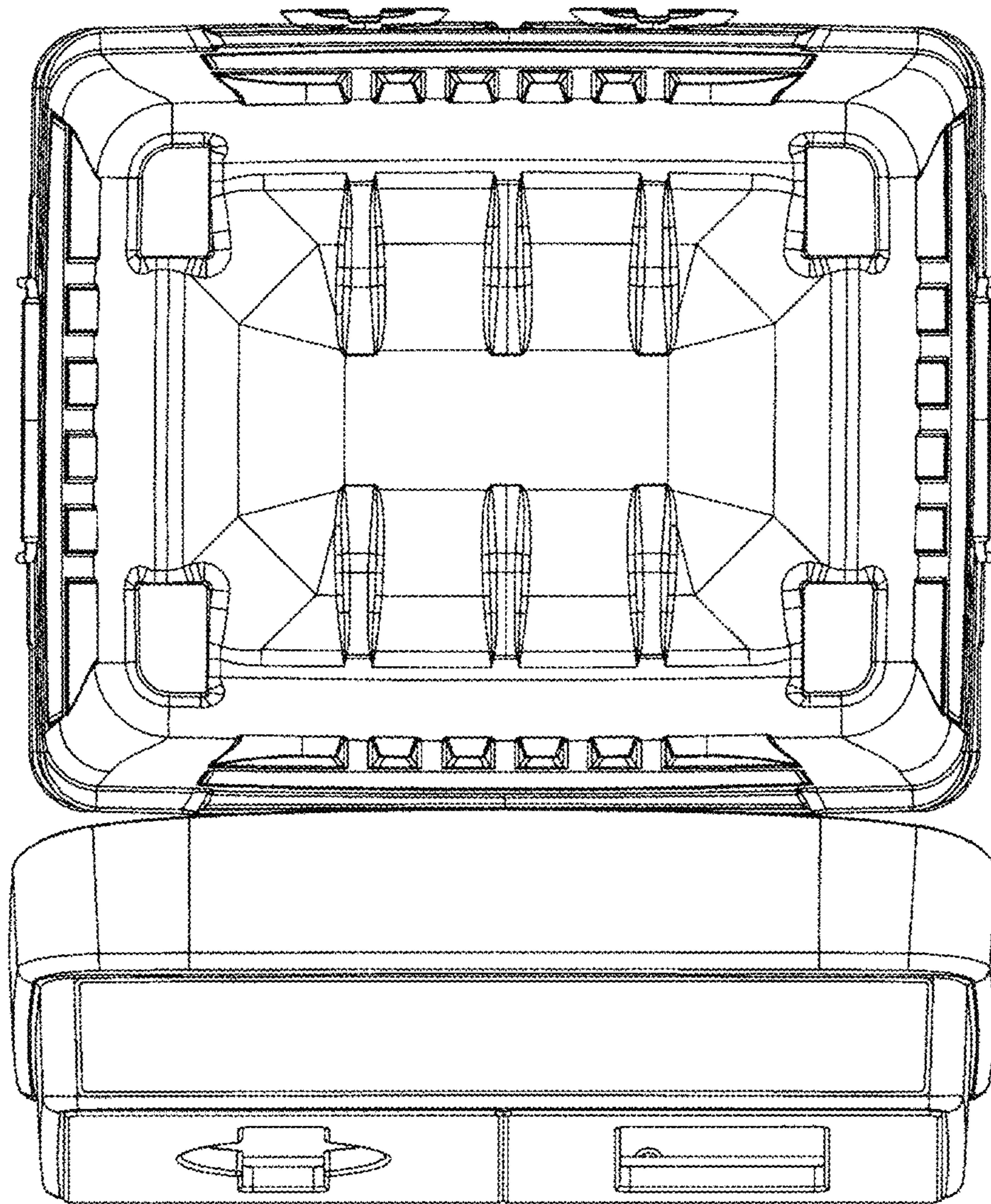


FIG. 28

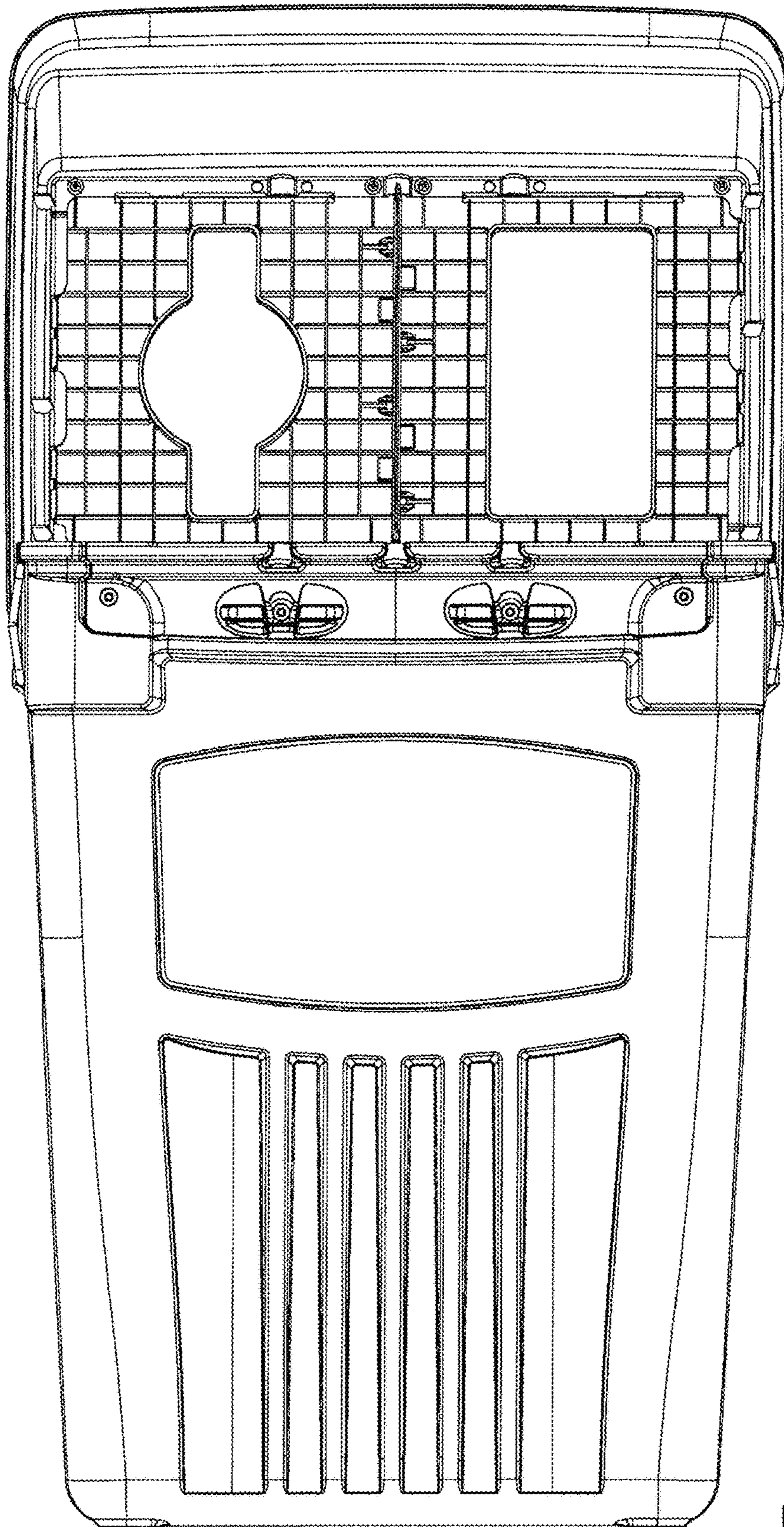


FIG. 29

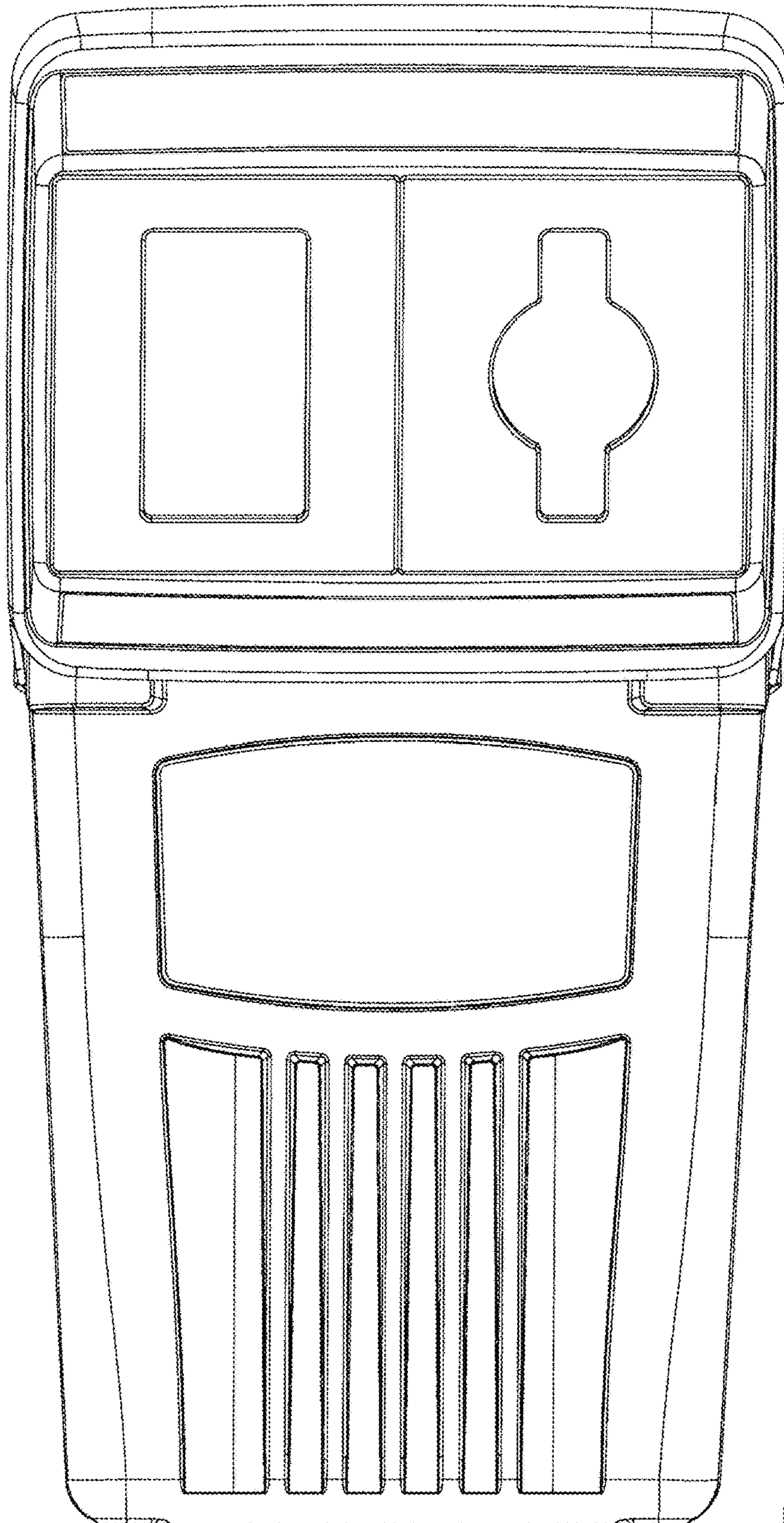


FIG. 30

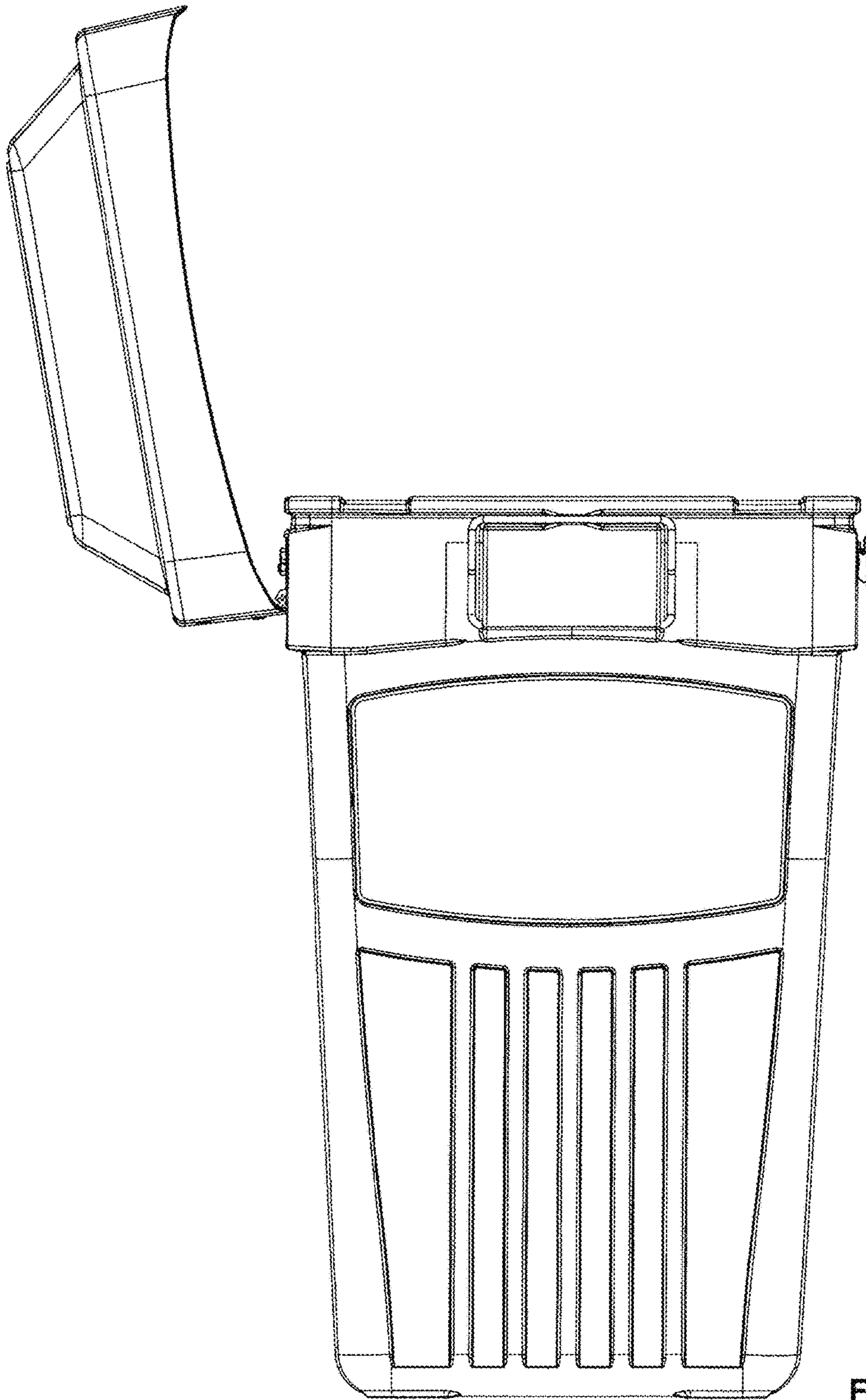


FIG. 31

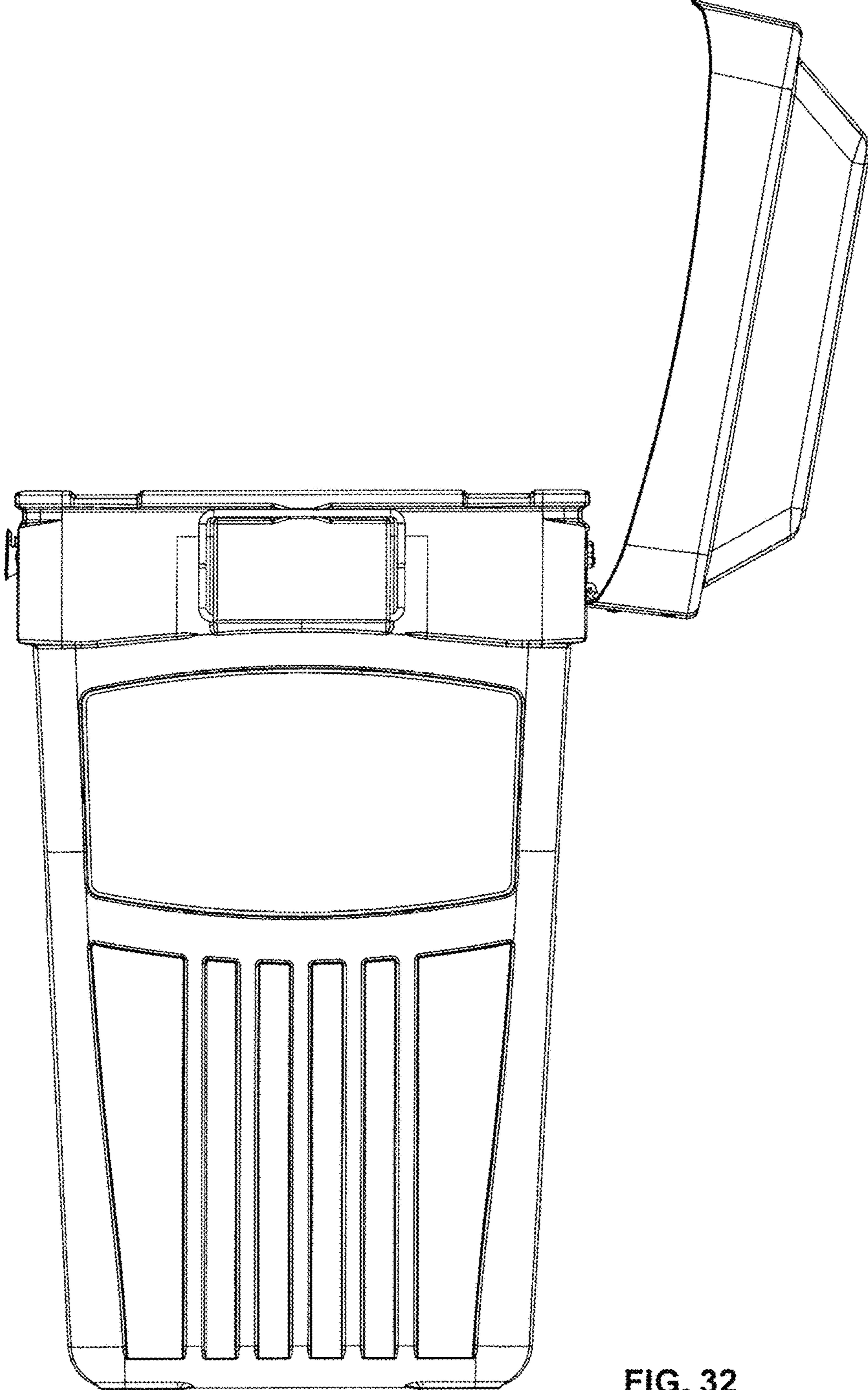


FIG. 32