



US00D834276S

(12) **United States Design Patent** (10) **Patent No.:** **US D834,276 S**
Gregory et al. (45) **Date of Patent:** **** Nov. 20, 2018**

- (54) **DEBRIS PAN**
- (71) Applicant: **Rubbermaid Commercial Products LLC**, Atlanta, GA (US)
- (72) Inventors: **Mike Gregory**, Huntersville, NC (US); **Marcel Arantes Souza**, Kalamazoo, MI (US); **Hillary Pullen**, Charlotte, NC (US)
- (73) Assignee: **Rubbermaid Commercial Products LLC**, Atlanta, GA (US)
- (**) Term: **15 Years**
- (21) Appl. No.: **29/627,037**
- (22) Filed: **Nov. 22, 2017**
- (51) **LOC (11) Cl.** **07-05**
- (52) **U.S. Cl.**
USPC **D32/74**
- (58) **Field of Classification Search**
USPC D32/74, 41; D30/162; D7/691, 688;
D4/116; 15/257.5, 257.3, 257.2, 257.1;
134/6
CPC A47L 13/52; A47L 13/51; A46B 15/00;
A46B 15/0097; A46B 15/0095; A46B
17/04; A46B 5/00; A46B 2200/302
See application file for complete search history.

- D470,289 S 2/2003 Petner
- D473,030 S 4/2003 Sons
- D475,828 S 6/2003 Libman et al.
- D481,504 S 10/2003 Libman et al.
- D484,659 S * 12/2003 Perelli D32/74
- 6,679,948 B2 4/2004 Mead

(Continued)

Primary Examiner — Austin Murphy
(74) *Attorney, Agent, or Firm* — Eversheds Sutherland (US) LLP

(57) **CLAIM**

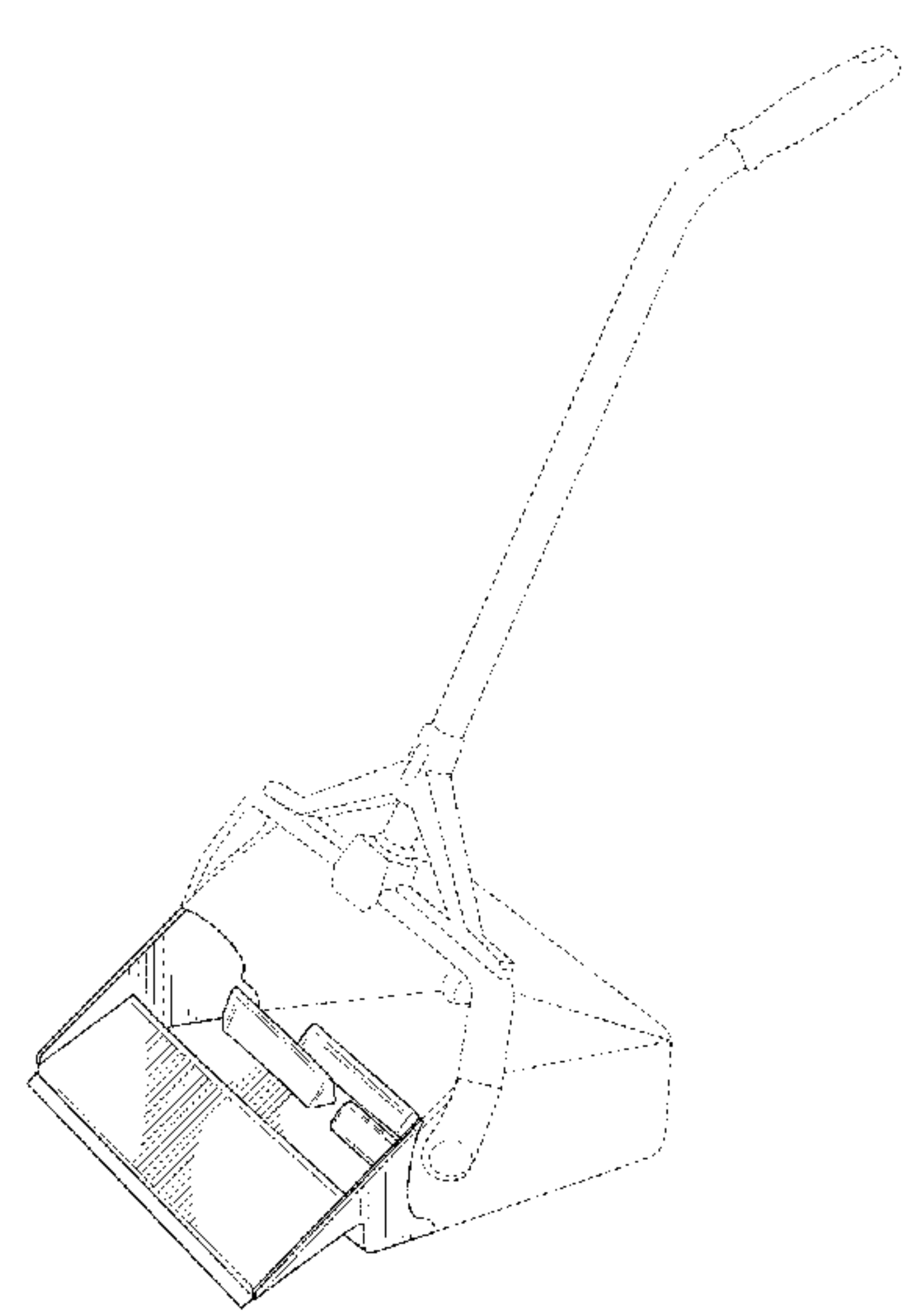
We claim the ornamental design for a debris pan, as shown and described.

DESCRIPTION

FIG. 1 is a first side view showing our new design for a debris pan;
 FIG. 2 is a front view showing the design of FIG. 1;
 FIG. 3 is a second side view showing the design of FIG. 1;
 FIG. 4 is an upper perspective view showing the design of FIG. 1;
 FIG. 5 is a perspective side view showing the design of FIG. 1;
 FIG. 6 is a perspective side view showing the design of FIG. 1;
 FIG. 7 is a bottom view showing the design of FIG. 1;
 FIG. 8 is a top view showing the design of FIG. 1;
 FIG. 9 is a top cross-sectional view showing the design of FIG. 1;
 FIG. 10 is a perspective cross-sectional side view showing the design of FIG. 1;
 FIG. 11 is a side cross-sectional view showing the design of FIG. 1; and,
 FIG. 12 is a side cross-sectional view showing the design of FIG. 1.
 In FIGS. 1-12, the broken lines are for purposes of illustration only, and do not form a part of the claimed design.

1 Claim, 7 Drawing Sheets

- (56) **References Cited**
U.S. PATENT DOCUMENTS
- 5,012,542 A * 5/1991 Lynn A47L 13/11
15/1
- 5,839,145 A 11/1998 Petner
- 6,023,812 A 2/2000 Morad
- 6,230,361 B1 5/2001 Griffin
- 6,233,780 B1 5/2001 Mead
- 6,233,781 B1 * 5/2001 Savage A47L 13/52
15/257.4
- 6,282,745 B1 9/2001 Alt



(56)

References Cited

U.S. PATENT DOCUMENTS

D493,265 S	7/2004	Libman et al.	D630,401 S	1/2011	Libman et al.
D508,760 S	8/2005	Berti	D630,402 S	1/2011	Wang
D509,035 S	8/2005	Libman et al.	D630,403 S	1/2011	Raven
6,925,678 B2	8/2005	Libman	D636,139 S	4/2011	Jones
D510,165 S	9/2005	Berti	7,921,505 B1	4/2011	Moore et al.
D537,597 S	2/2007	Bolden	8,003,725 B2	8/2011	Chapman et al.
D545,022 S	6/2007	Morad	8,152,019 B1	4/2012	Miller
7,404,229 B2	7/2008	Monahan et al.	8,523,007 B2	9/2013	Miller
D586,519 S	2/2009	Casteel et al.	8,555,459 B2	10/2013	Ward et al.
7,509,705 B1	3/2009	Morad et al.	8,701,243 B2	4/2014	Ward et al.
D594,618 S	6/2009	ekercio lu	8,840,122 B1	9/2014	Cummins
D595,509 S	7/2009	Sekercioglu	9,181,666 B2	11/2015	Shnol
D596,408 S	7/2009	Cohen	9,192,146 B2	11/2015	Trogdon
D601,769 S	10/2009	Cox	D747,585 S *	1/2016	Schantz D32/74
7,677,508 B1	3/2010	Owens	9,282,861 B2	3/2016	Schultz et al.
D615,267 S *	5/2010	McNeil D32/74	9,315,308 B2	4/2016	Audet et al.
7,735,008 B2	6/2010	Quattrini, Jr.	9,386,901 B1	7/2016	Baker
7,736,009 B2	6/2010	Quattrini	D774,267 S	12/2016	Dobson, III
			D826,503 S *	8/2018	Dobson, III D32/74
			2006/0288617 A1 *	12/2006	Colclough E01H 5/066
					37/264

* cited by examiner

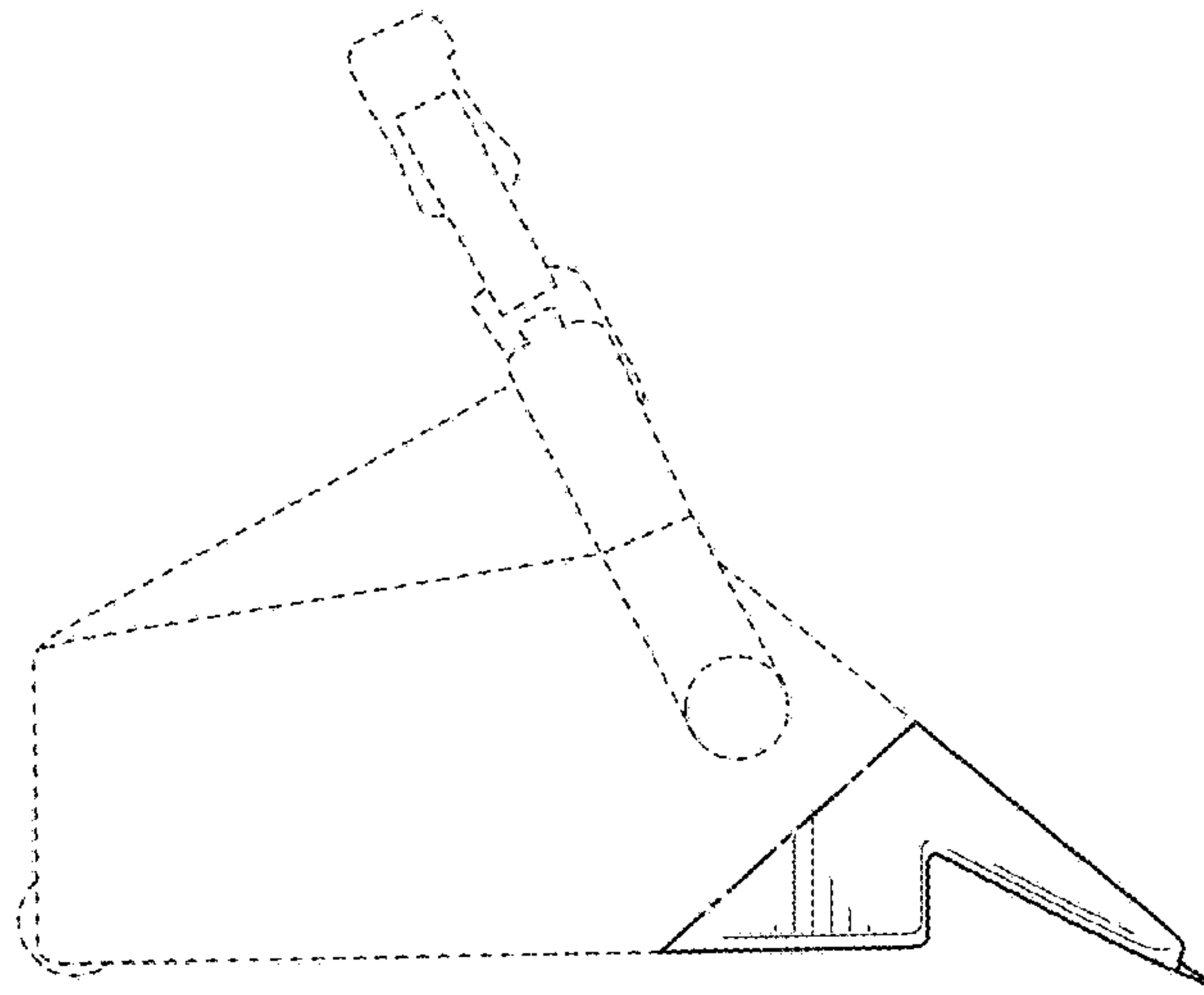


FIG. 1

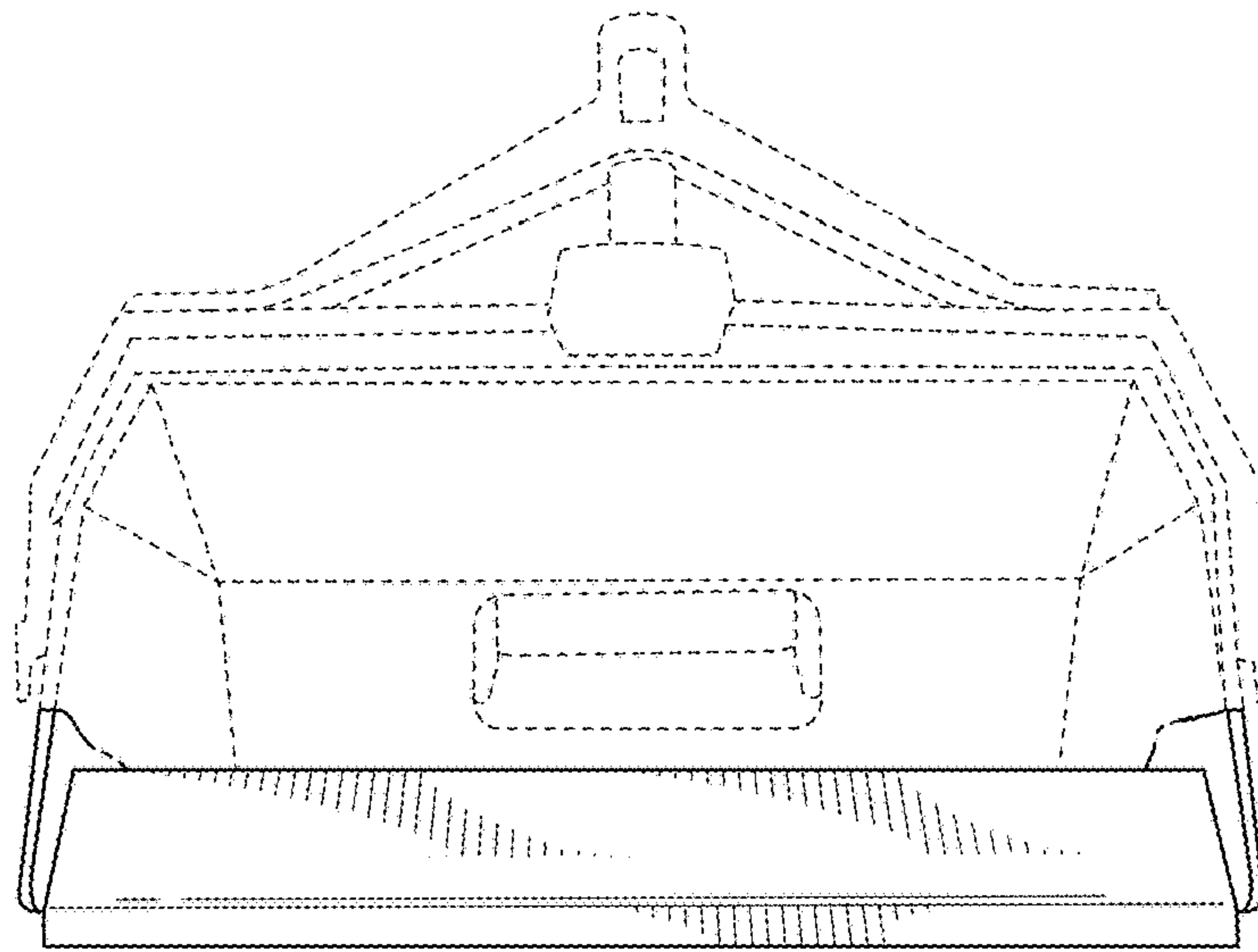


FIG. 2

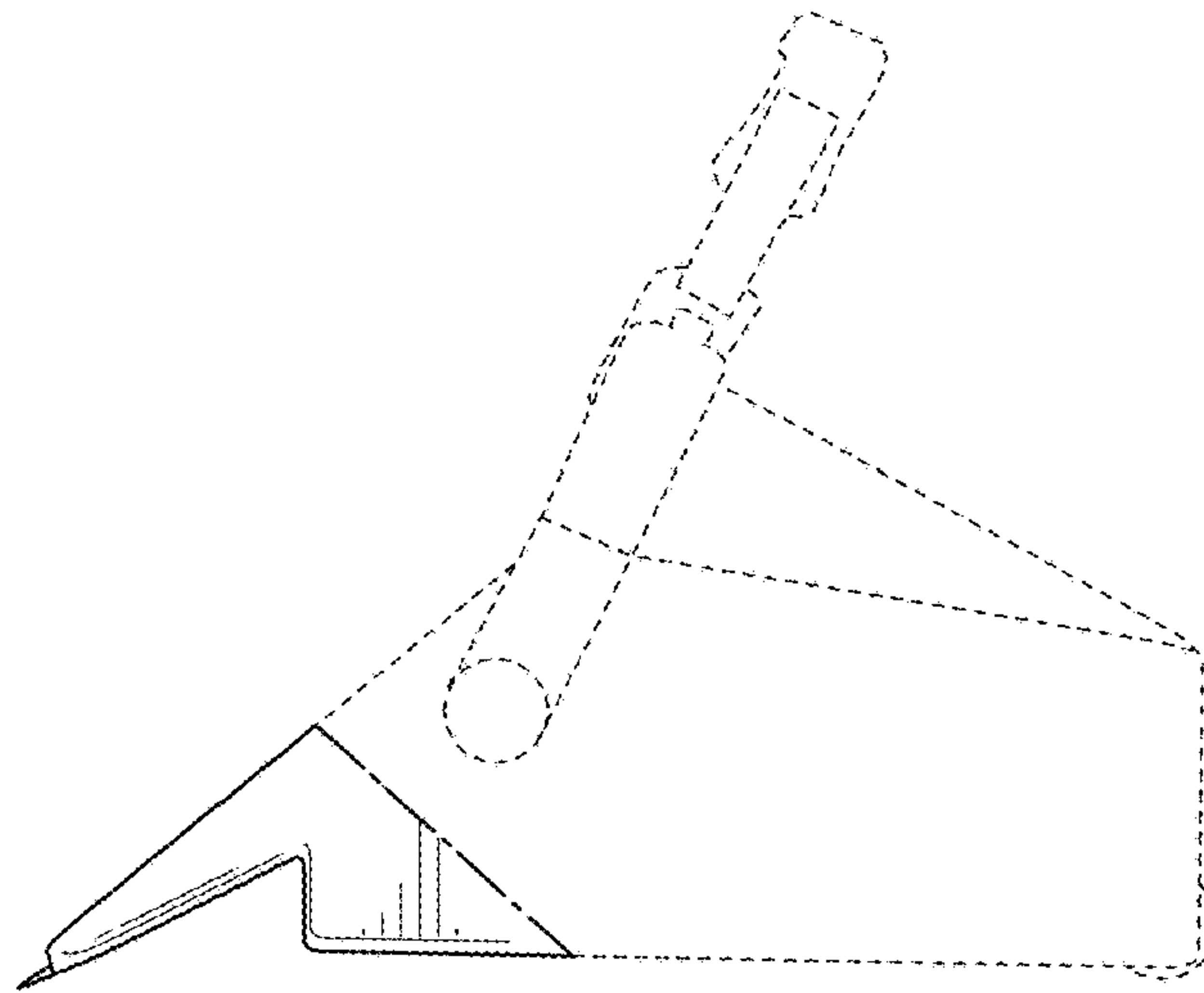


FIG. 3

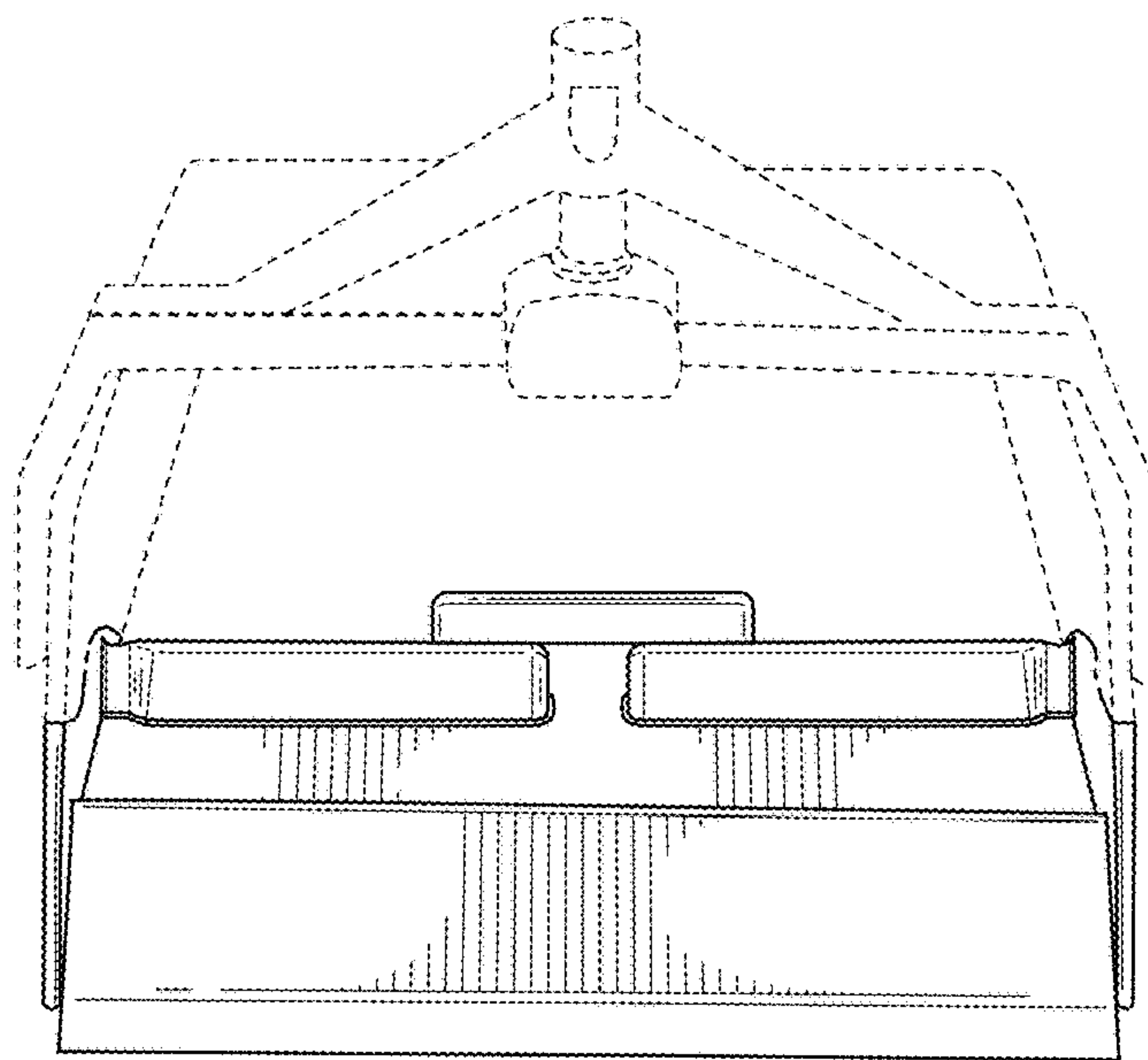


FIG. 4

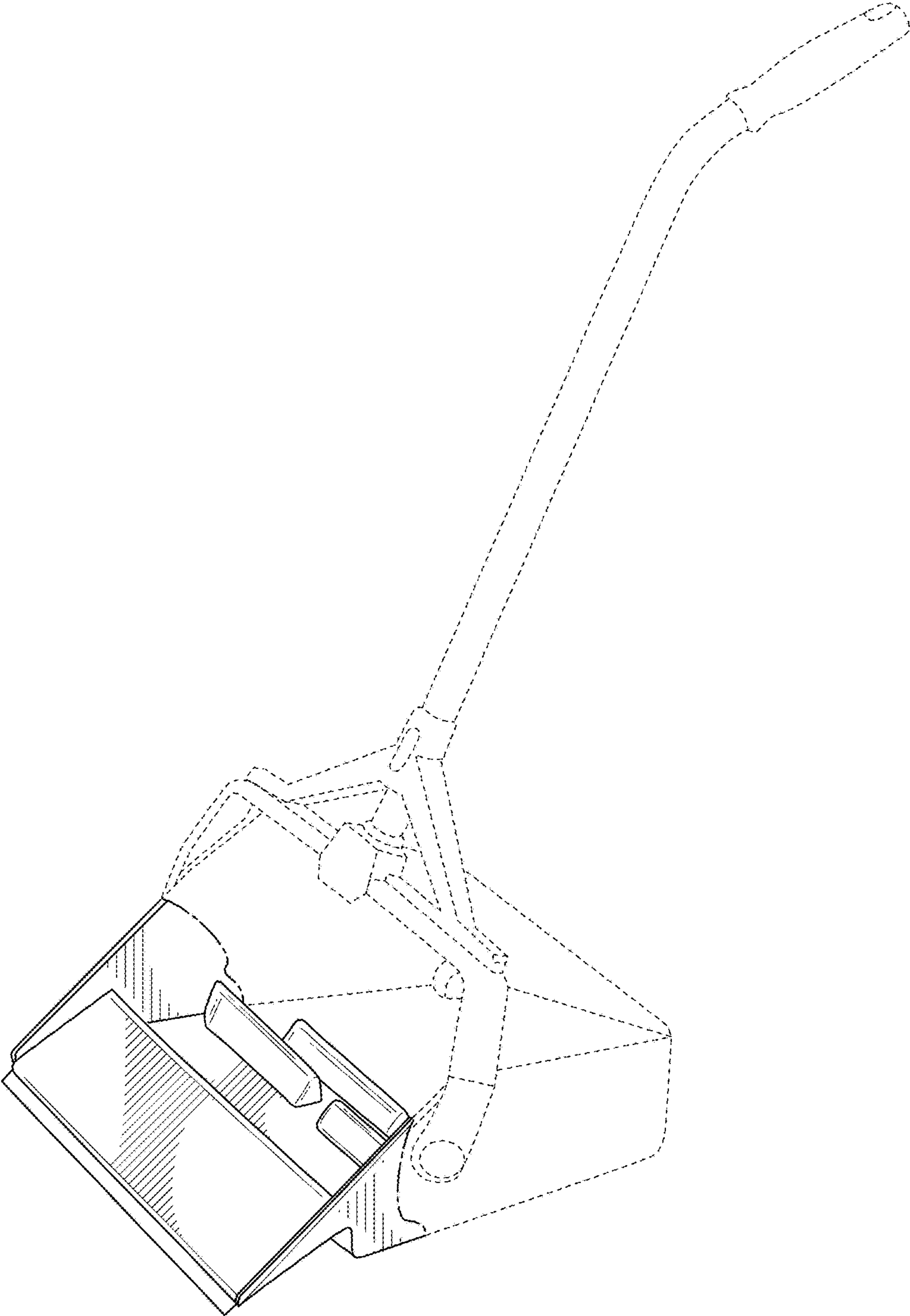


FIG. 5

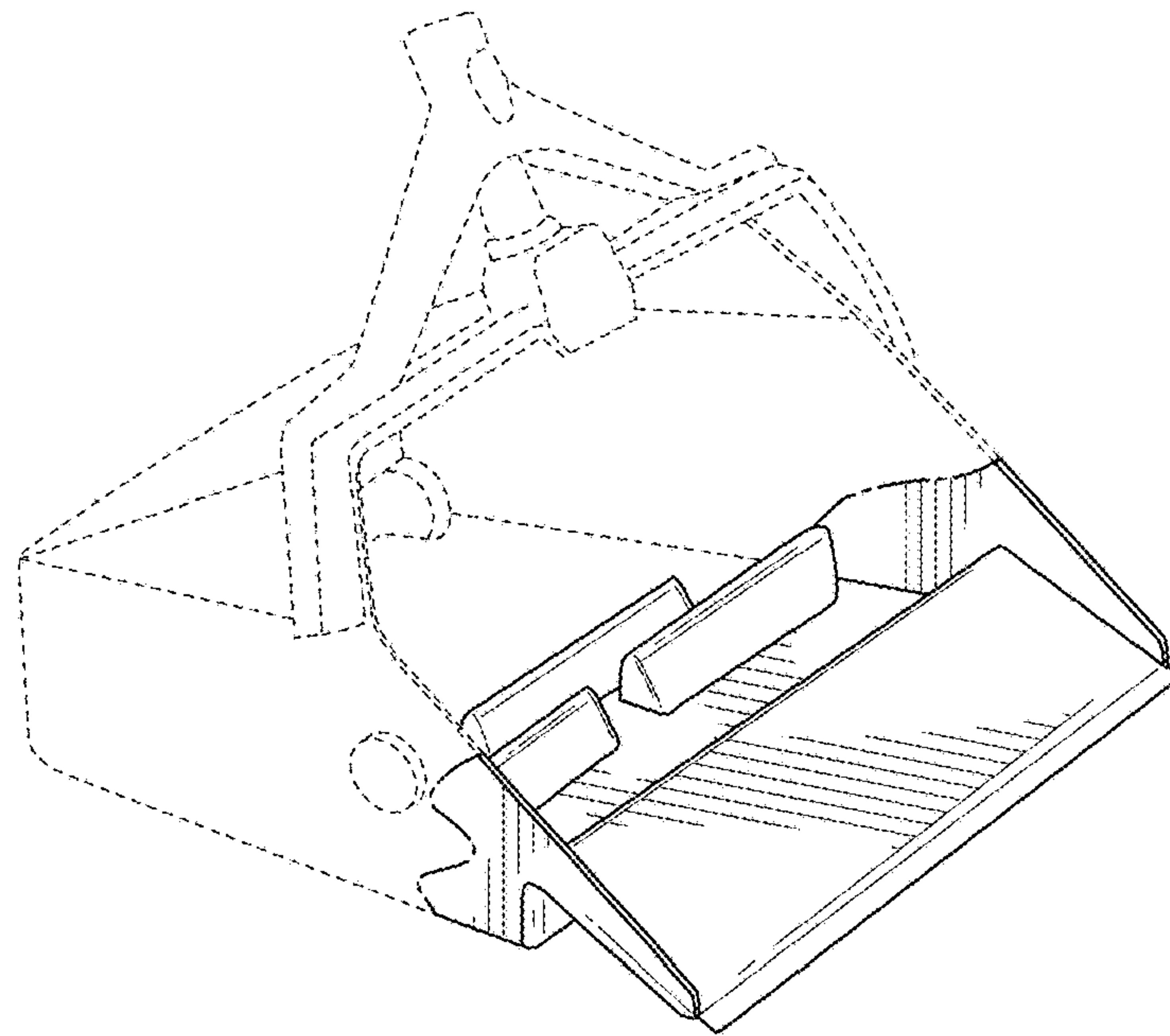


FIG. 6

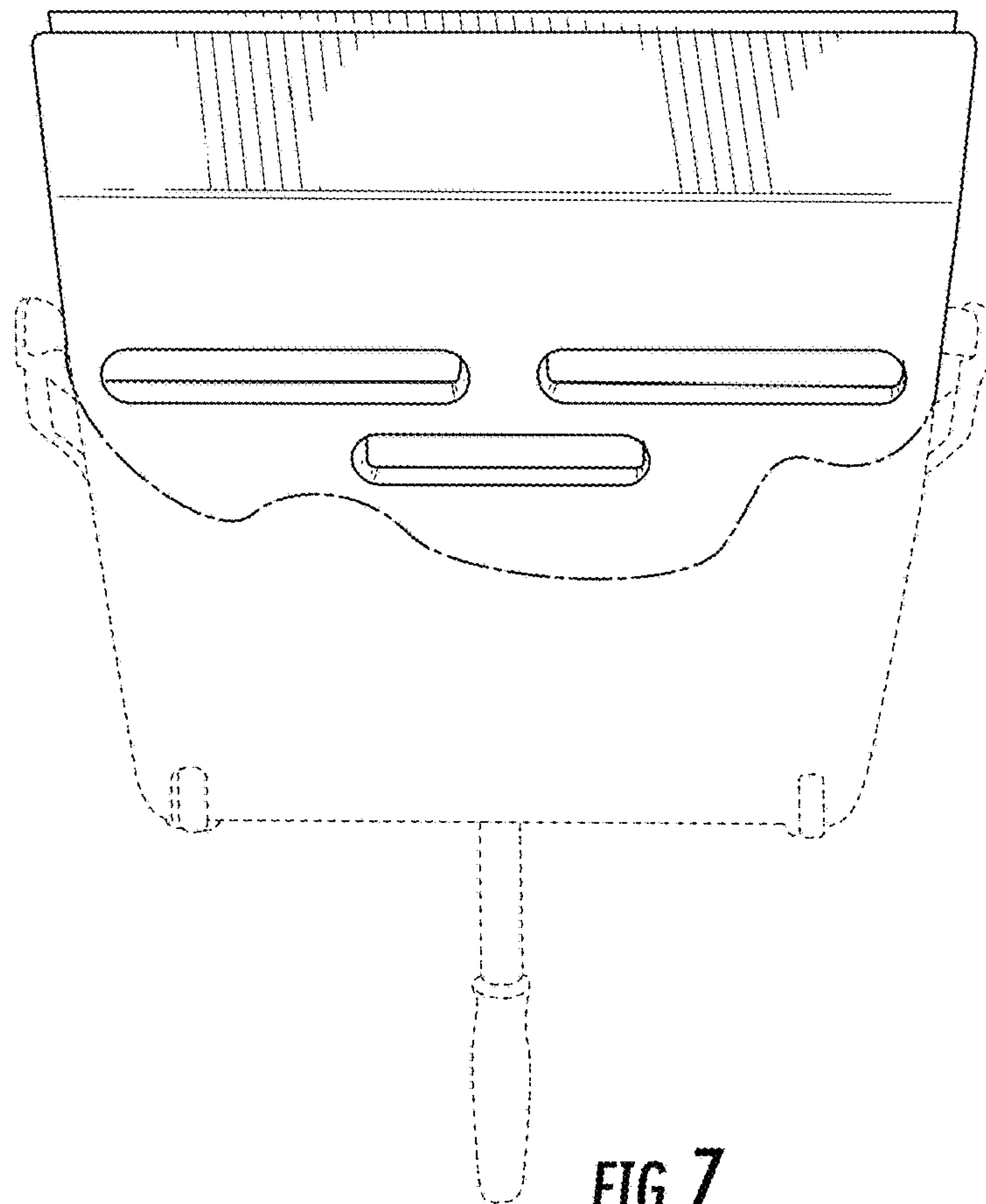


FIG. 7

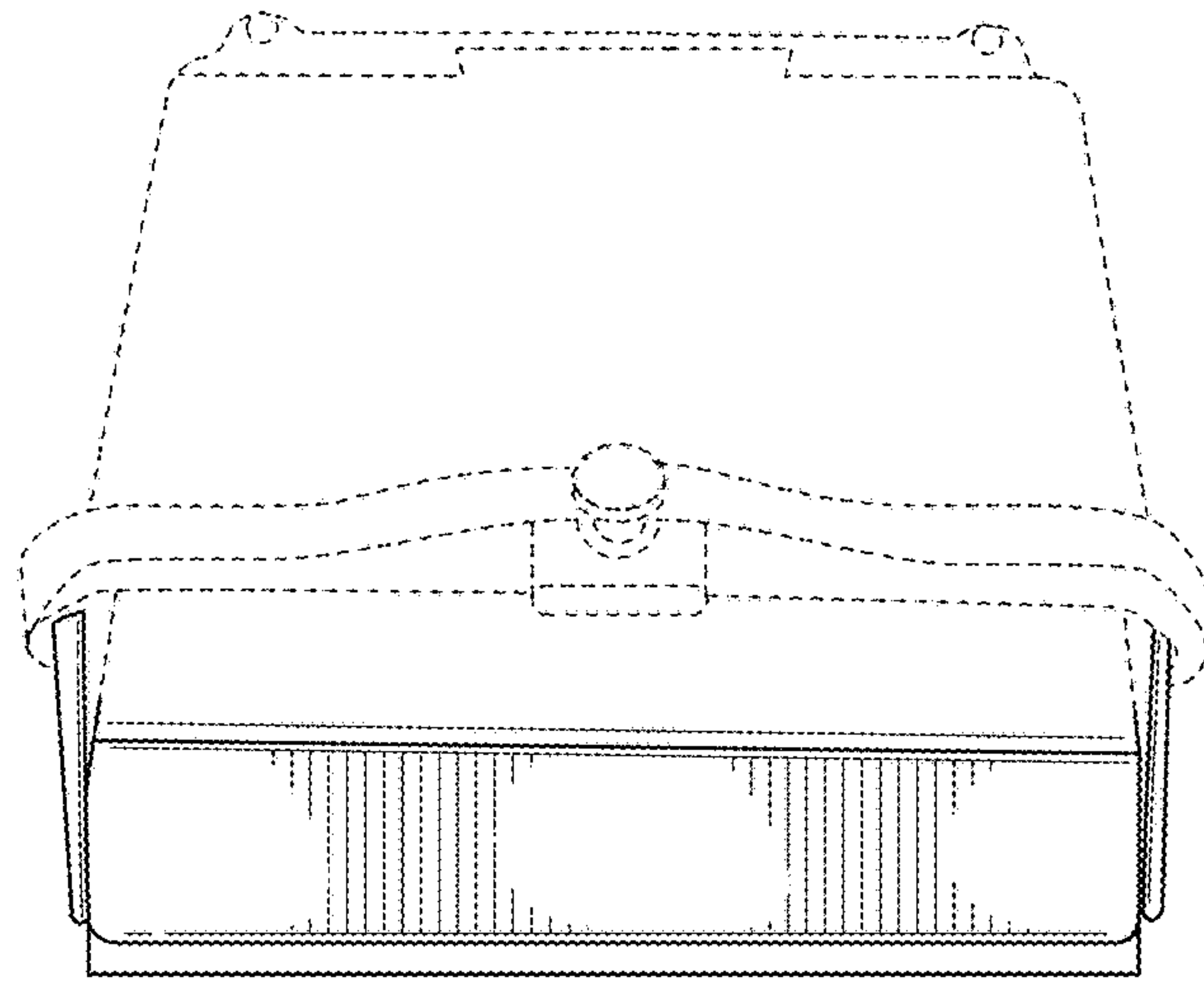


FIG. 8

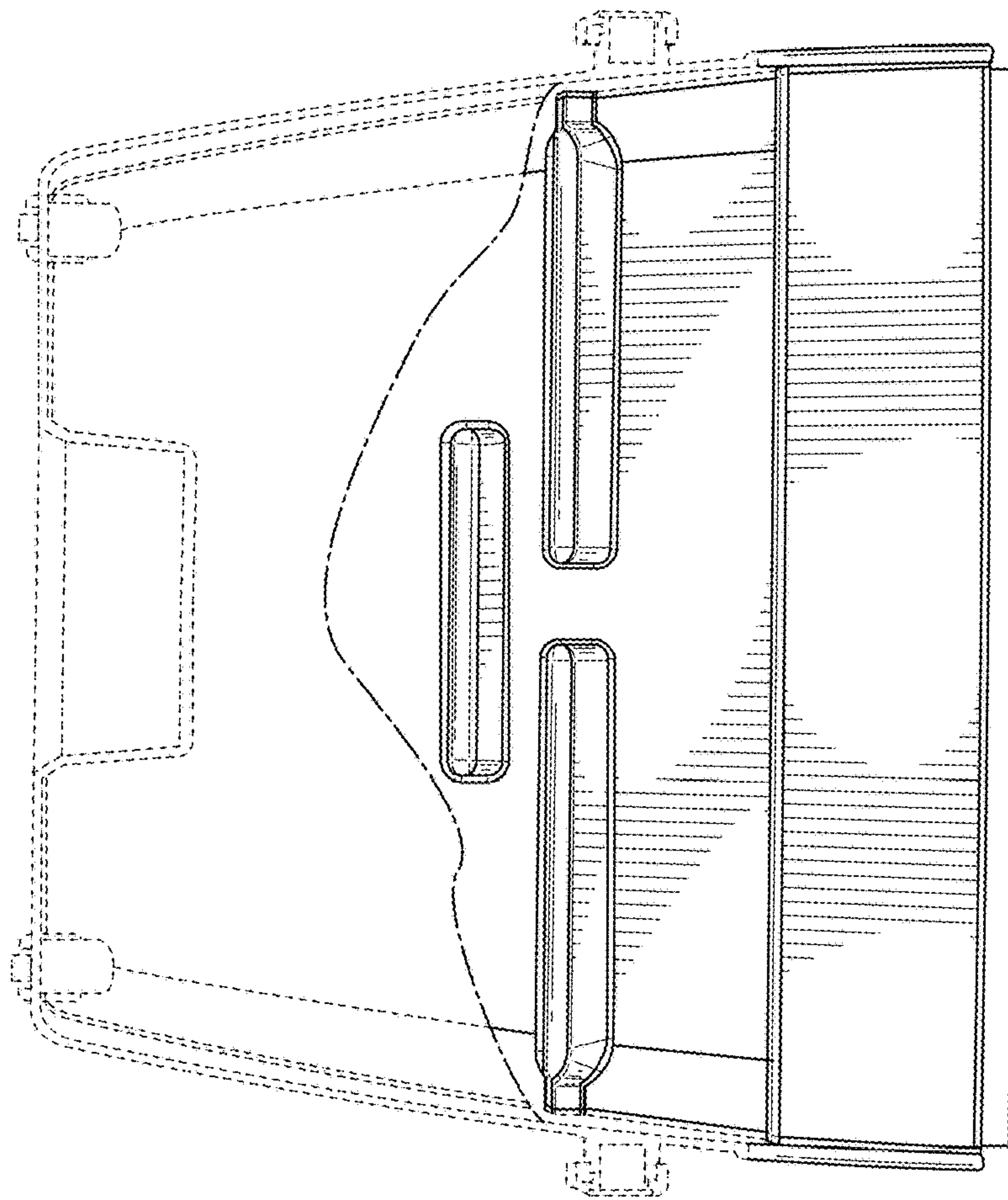


FIG. 9

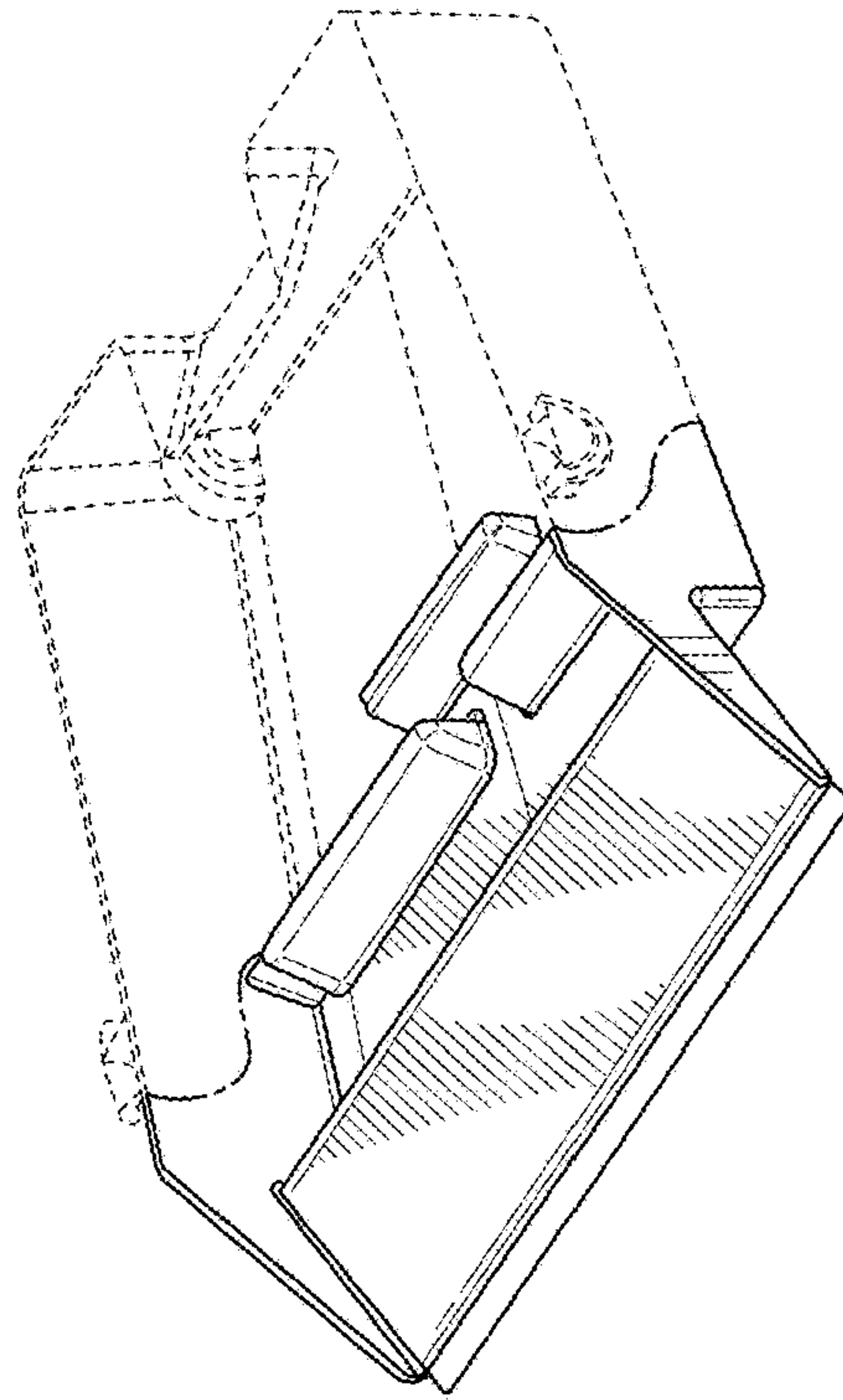


FIG. 10

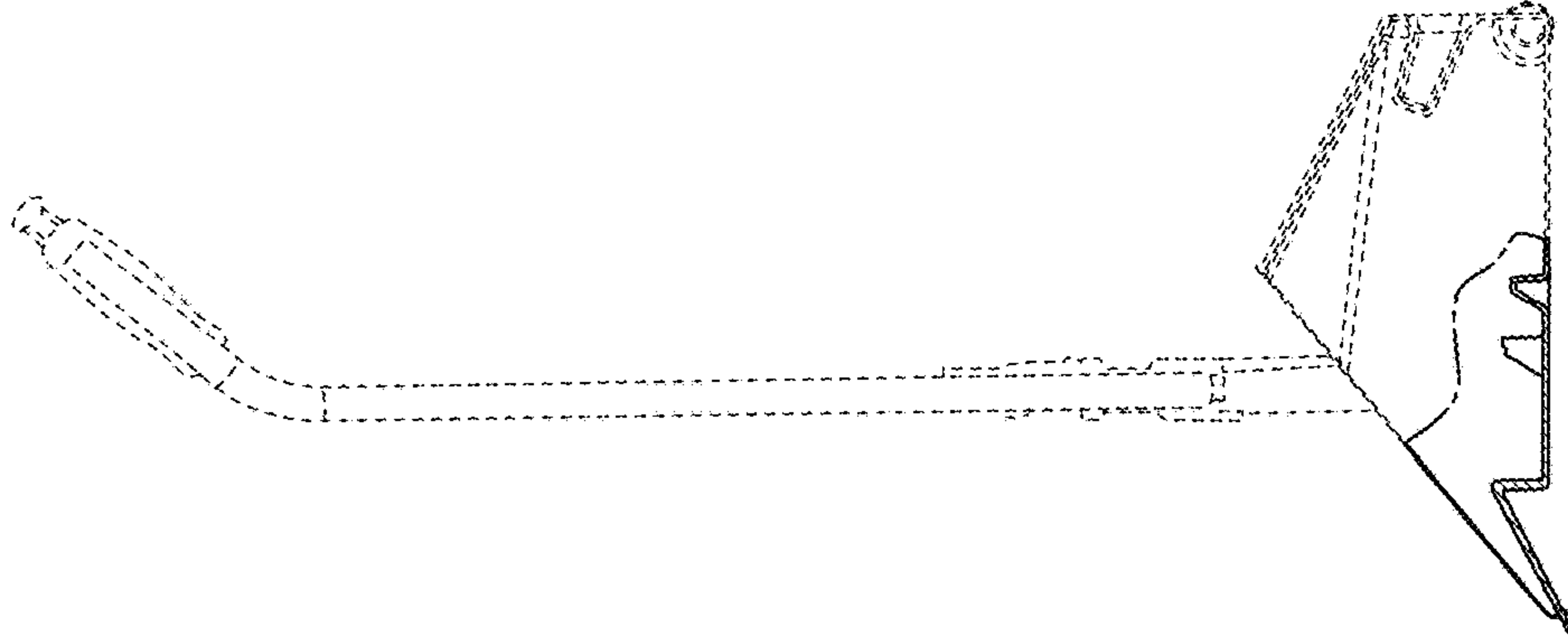


FIG. 12

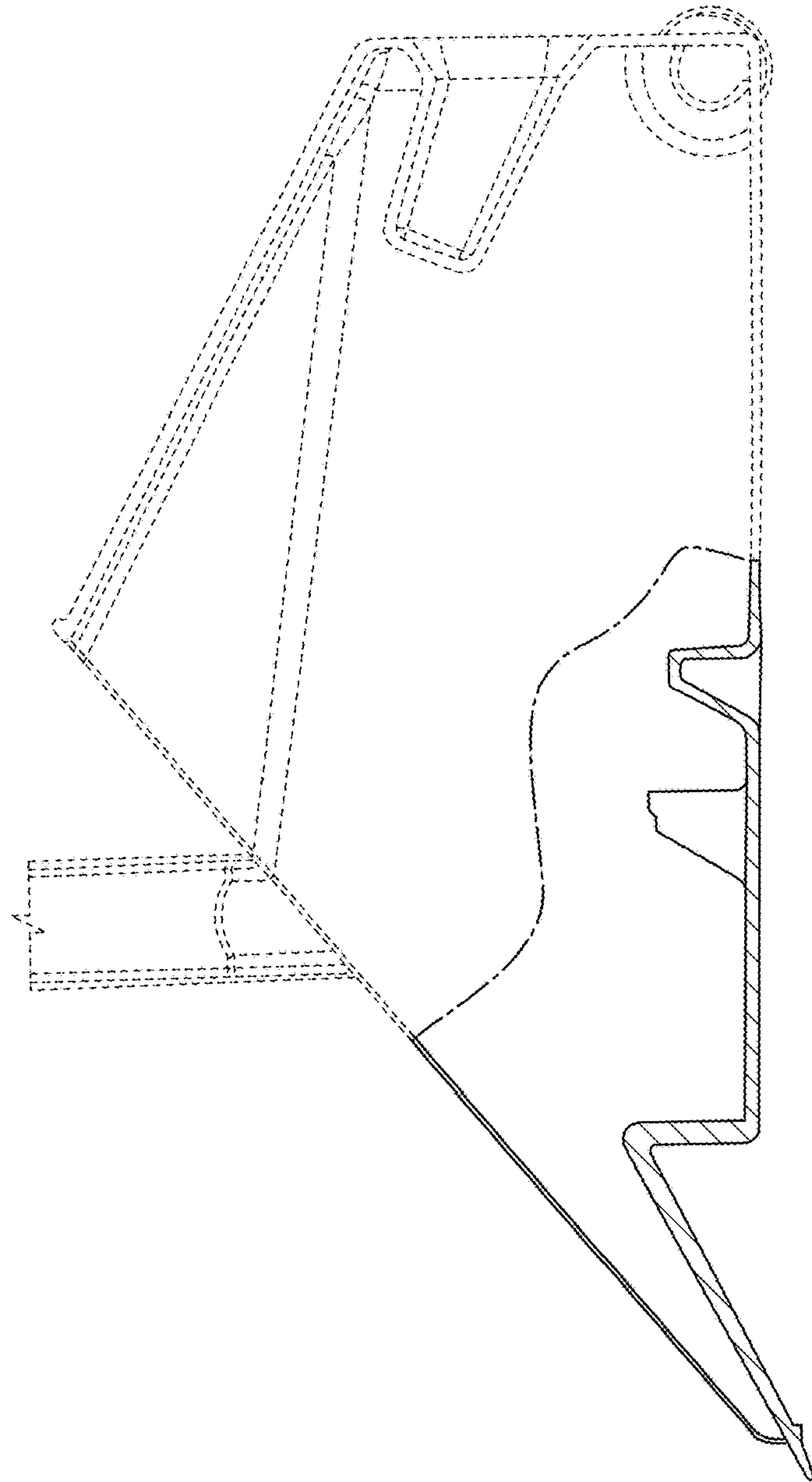


FIG. 11