



US00D834273S

(12) **United States Design Patent**  
**Barrera**

(10) **Patent No.:** **US D834,273 S**

(45) **Date of Patent:** **\*\* Nov. 20, 2018**

(54) **VACUUM NOZZLE ADAPTER**

(71) Applicant: **Alberto Barrera**, Los Angeles, CA  
(US)

(72) Inventor: **Alberto Barrera**, Los Angeles, CA  
(US)

(\*\*) Term: **15 Years**

(21) Appl. No.: **29/599,455**

(22) Filed: **Apr. 3, 2017**

(51) **LOC (11) Cl.** ..... **15-05**

(52) **U.S. Cl.**  
USPC ..... **D32/32**

(58) **Field of Classification Search**  
USPC ..... D32/31-34, 20-22, 38-39, 45, 25  
CPC ..... A47L 9/02; A47L 9/04; A47L 9/06; A47L  
9/0477; A47L 9/2842; A47L 9/0693;  
A47L 9/0444; A47L 9/0461; A47L 9/325;  
A47L 9/28; A47L 5/362; A47L 5/365;  
A47L 5/325; A47L 5/28; A47L 5/30;  
A47L 5/34; A47L 5/36; A47L 5/02; A47L  
5/24; A47L 11/4044; E04H 4/1654; A46B  
13/001; E01H 1/0854

See application file for complete search history.

(56) **References Cited**

**U.S. PATENT DOCUMENTS**

D273,146 S \* 3/1984 Farr ..... D32/31  
5,799,364 A \* 9/1998 Foisy ..... A47L 5/24  
15/338  
6,038,732 A \* 3/2000 McKnight ..... A47L 9/02  
15/321  
D479,636 S \* 9/2003 Kitts ..... D32/32

D615,719 S \* 5/2010 Crawley ..... D32/31  
D621,565 S \* 8/2010 Pierce ..... D32/32  
D666,373 S \* 8/2012 Eden ..... D32/32  
D681,894 S \* 5/2013 Wu ..... D32/31  
D713,110 S \* 9/2014 Erlich ..... D32/33  
8,918,947 B2 \* 12/2014 Schwartz ..... A47L 9/02  
15/246.2  
D725,856 S \* 3/2015 Schultz ..... D32/32  
D750,858 S \* 3/2016 Aramli ..... D23/213  
D760,459 S \* 6/2016 Carter ..... D32/31  
D779,753 S \* 2/2017 Mikula ..... D32/32  
D785,884 S \* 5/2017 LaBarbera ..... D32/32  
D796,135 S \* 8/2017 Yoon ..... D32/32  
D804,755 S \* 12/2017 Nam ..... D32/33  
D815,382 S \* 4/2018 Minamide ..... D32/33

\* cited by examiner

*Primary Examiner* — Ruth McInroy

(74) *Attorney, Agent, or Firm* — Eric Kelly

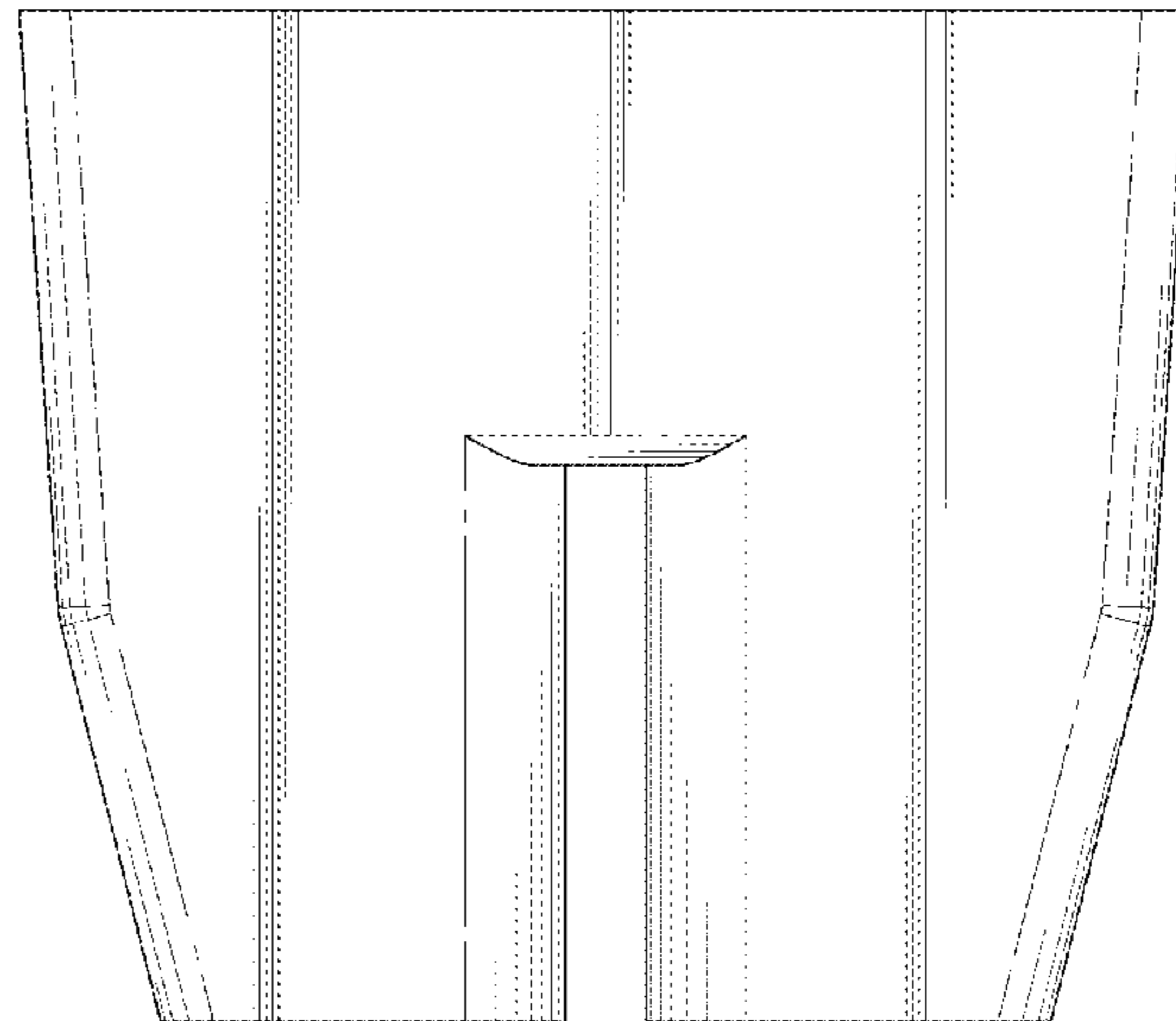
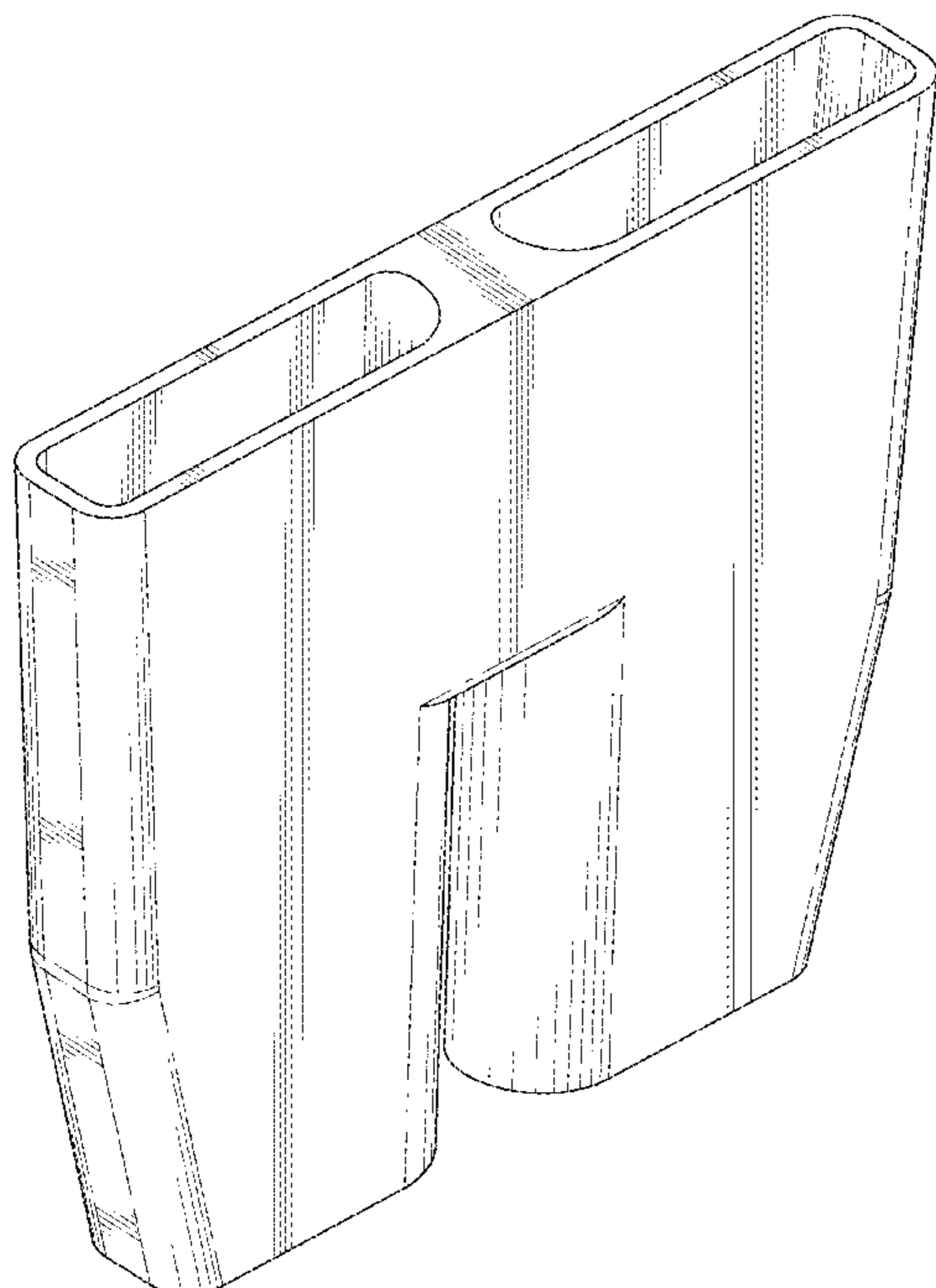
(57) **CLAIM**

I claim the ornamental design for a vacuum nozzle adapter, as shown and described.

**DESCRIPTION**

FIG. 1 is a top, front perspective view of a vacuum nozzle adapter showing my new design;  
FIG. 2 illustrates a top view thereof;  
FIG. 3 illustrates a bottom view thereof;  
FIG. 4 illustrates a left-side view thereof;  
FIG. 5 illustrates a right-side view thereof;  
FIG. 6 illustrates a front view thereof; and,  
FIG. 7 illustrates a back view thereof.

**1 Claim, 5 Drawing Sheets**



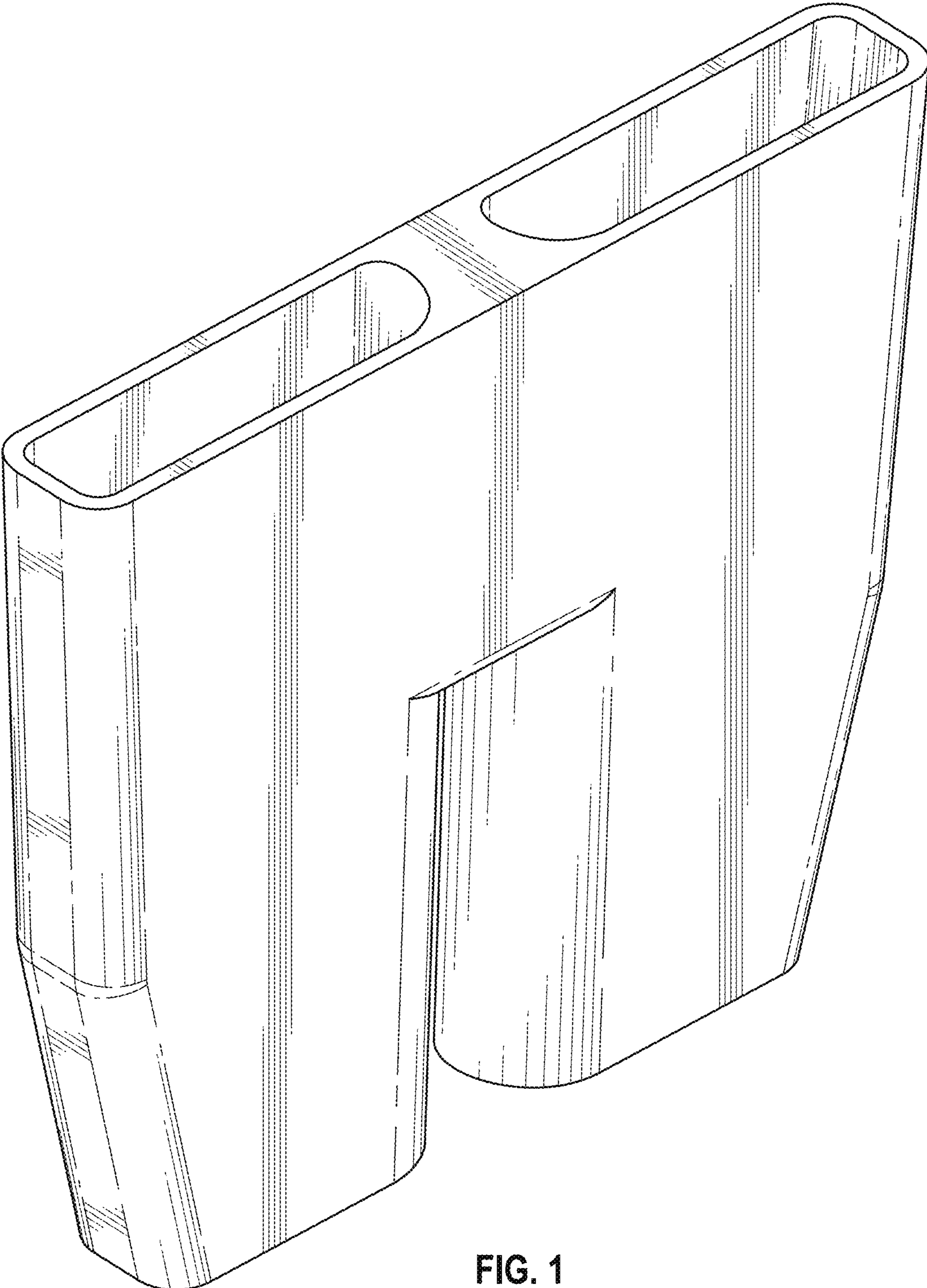


FIG. 1

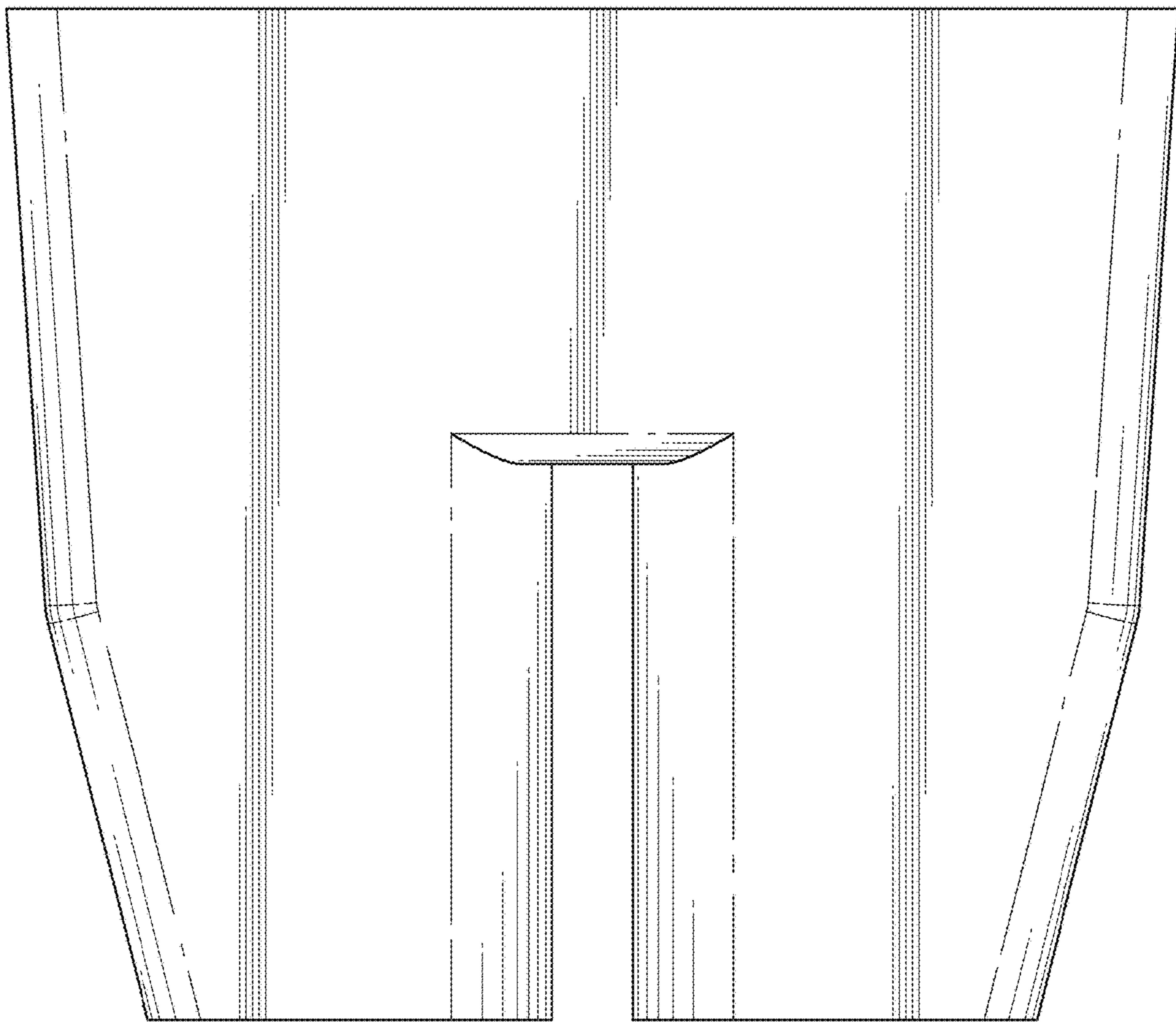


FIG. 2

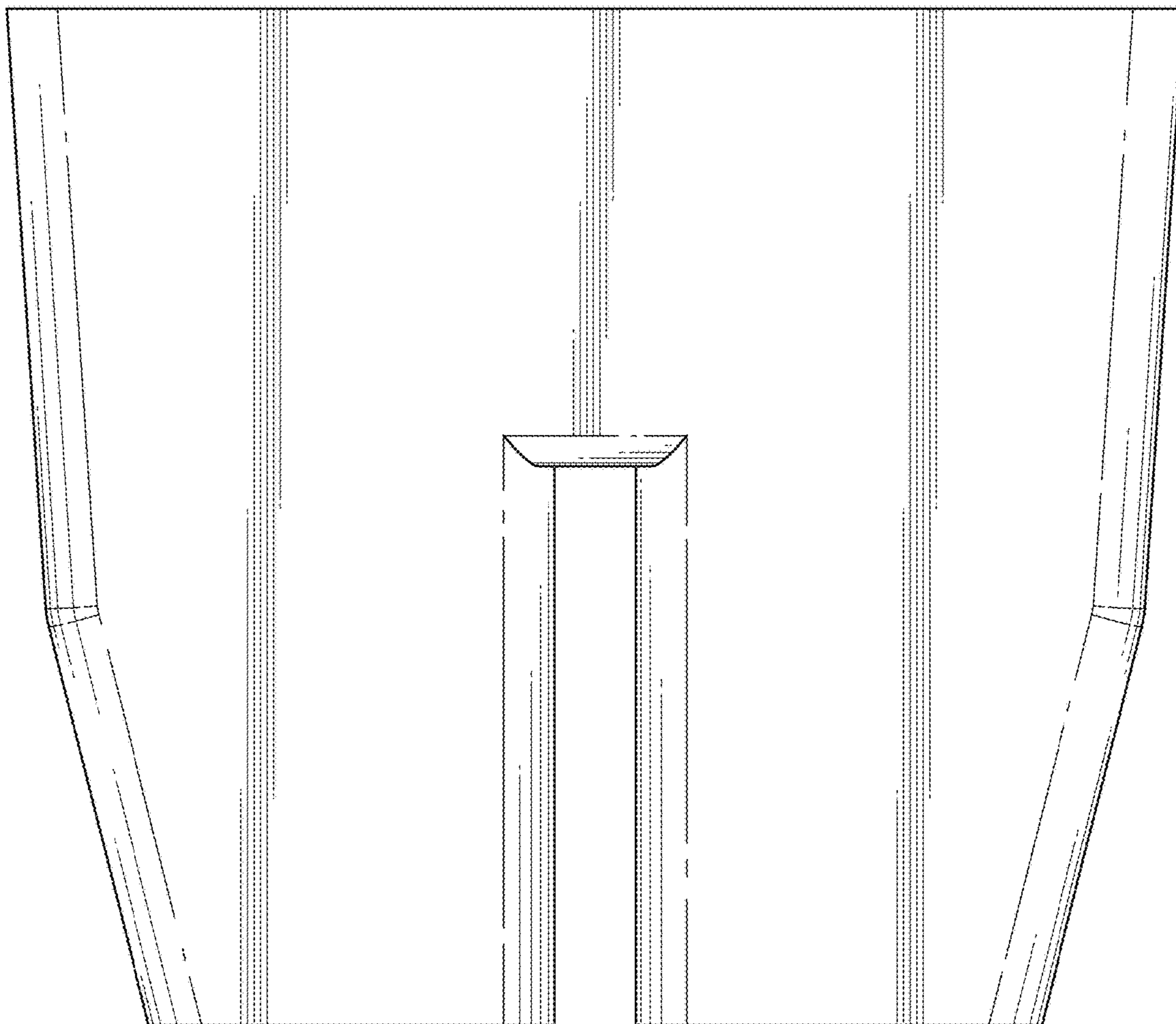


FIG. 3

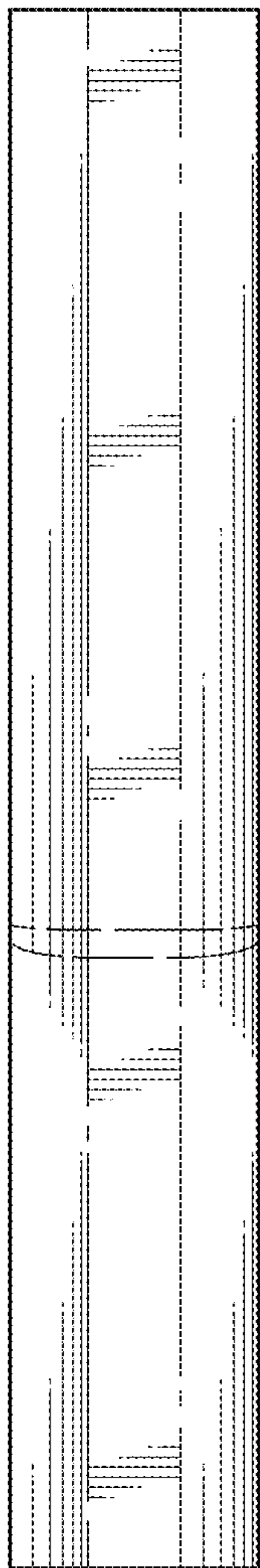


FIG. 4

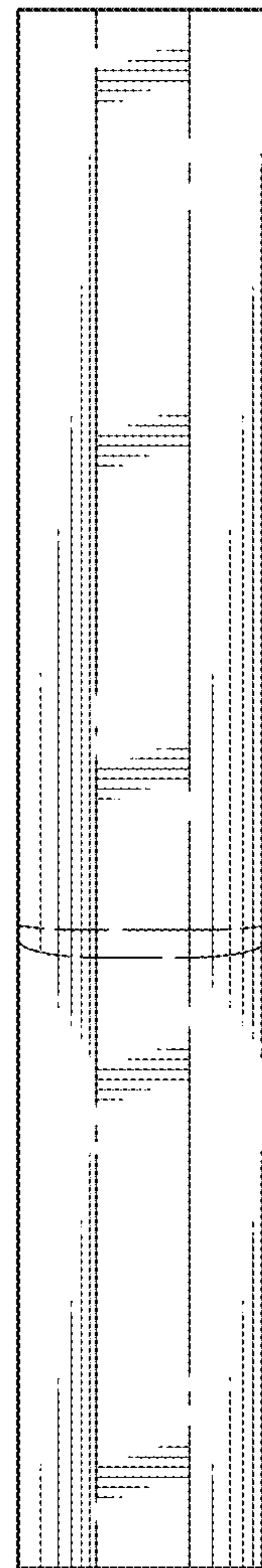


FIG. 5

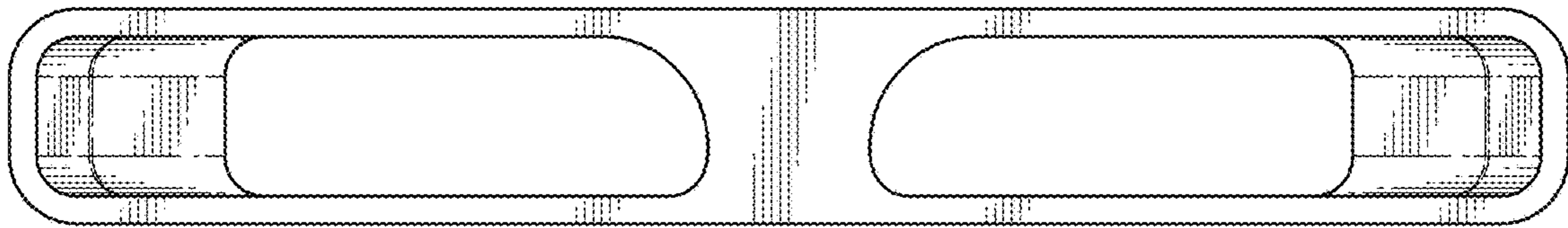


FIG. 6

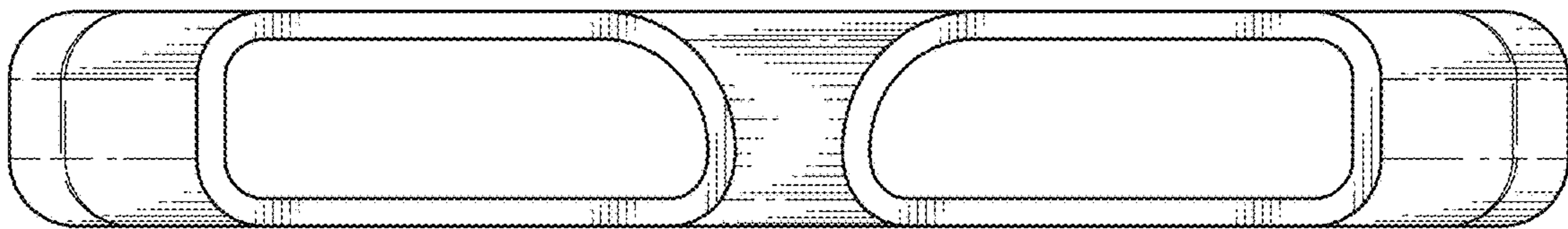


FIG. 7