



US00D834270S

(12) **United States Design Patent** (10) **Patent No.:** **US D834,270 S**  
**Näslund et al.** (45) **Date of Patent:** **\*\* Nov. 20, 2018**

(54) **BLOWER**

(71) Applicant: **HUSQVARNA AB**, Huskvarna (SE)

(72) Inventors: **Jens Näslund**, Spånga (SE); **Taras Czornyj**, Järna (SE); **Malin Andersson**, Karlskoga (SE)

(73) Assignee: **HUSQVARNA AB**, Huskvarna (SE)

(\*\*) Term: **15 Years**

(21) Appl. No.: **29/619,474**

(22) Filed: **Sep. 29, 2017**

(30) **Foreign Application Priority Data**

Mar. 30, 2017 (EM) ..... 003831445-0002

(51) **LOC (11) Cl.** ..... **15-05**

(52) **U.S. Cl.**  
USPC ..... **D32/15; D15/12**

(58) **Field of Classification Search**  
USPC ..... D15/11, 12; D12/2, 231, 340-343;  
D32/15, 16, 17, 18, 21, 25, 1, 5, 12;  
D23/383, 370, 213; 15/300.1, 344, 345  
CPC ... A47L 5/14; A47L 9/32; A01G 1/125; F04B  
17/00; F04B 35/04  
See application file for complete search history.

(56) **References Cited**

**U.S. PATENT DOCUMENTS**

D416,360 S	*	11/1999	Enkyo	.....	D32/15
D426,354 S	*	6/2000	Ohl	.....	D32/15
D461,604 S	*	8/2002	Martin	.....	D32/15
D480,844 S	*	10/2003	Noma	.....	D32/15
D493,017 S	*	7/2004	Ito	.....	D32/15
D498,885 S	*	11/2004	Robson	.....	D32/15
D526,750 S	*	8/2006	Ito	.....	D32/15
D558,939 S	*	1/2008	Yuasa	.....	D32/15
D565,817 S	*	4/2008	Yuasa	.....	D32/15

D569,055 S	*	5/2008	Bochmann	.....	D32/15
D584,461 S	*	1/2009	Sweeney	.....	D32/15
D637,774 S	*	5/2011	Li	.....	D32/15
D696,823 S	*	12/2013	Crawley	.....	D32/15
D711,056 S	*	8/2014	Crawley	.....	D15/12
D711,057 S	*	8/2014	Crawley	.....	D15/12
D719,307 S	*	12/2014	Carl	.....	D15/12
D729,999 S	*	5/2015	Aoi	.....	D15/12
D735,960 S	*	8/2015	Zhang	.....	D32/15
D741,917 S	*	10/2015	Tinius	.....	D15/15
D742,603 S	*	11/2015	Tschopp	.....	D15/12
D746,004 S	*	12/2015	Murray	.....	D15/12
D747,050 S	*	1/2016	Martin	.....	D32/15
D748,876 S	*	2/2016	Carl	.....	D15/12
D748,877 S	*	2/2016	Tirone	.....	D15/12
D798,513 S	*	9/2017	Tinius	.....	D32/15
D800,400 S	*	10/2017	Tinius	.....	D32/16
D809,227 S	*	1/2018	Tinius	.....	D32/15
D812,825 S	*	3/2018	Smith	.....	D32/15

\* cited by examiner

*Primary Examiner* — Mark Goodwin

(74) *Attorney, Agent, or Firm* — McNair Law Firm, P.A.

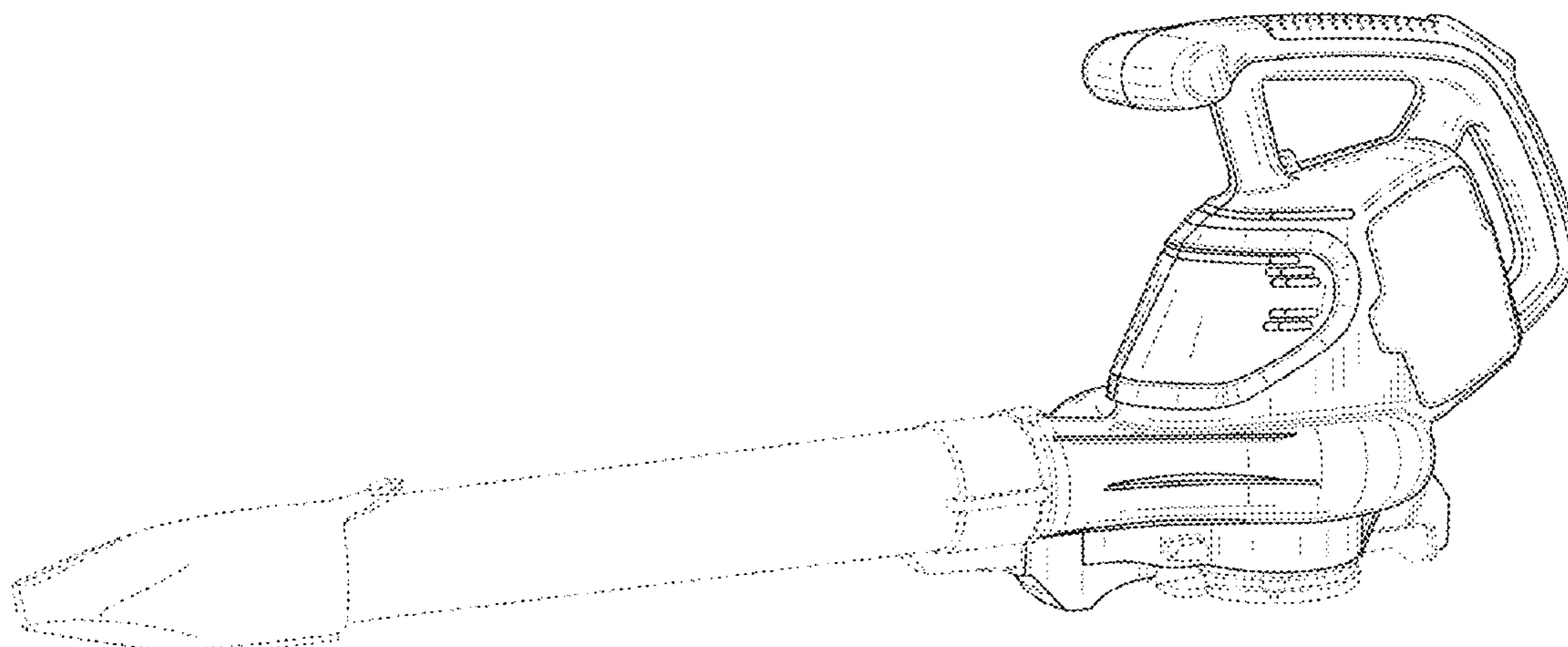
(57) **CLAIM**

The ornamental design for the blower, as shown and described.

**DESCRIPTION**

FIG. 1 is a perspective view of a blower in accordance with an embodiment of the present invention;  
FIG. 2 is a left side view of the blower of FIG. 1;  
FIG. 3 is a right side view of the blower of FIG. 1;  
FIG. 4 is a top view of the blower of FIG. 1;  
FIG. 5 is a bottom view of the blower of FIG. 1;  
FIG. 6 is a rear view of the blower of FIG. 1; and,  
FIG. 7 is a front view of the blower of FIG. 1.  
The broken lines of FIGS. 1-7 are illustrative of the visible environmental structure of the blower and form no part of the claimed design.

**1 Claim, 6 Drawing Sheets**



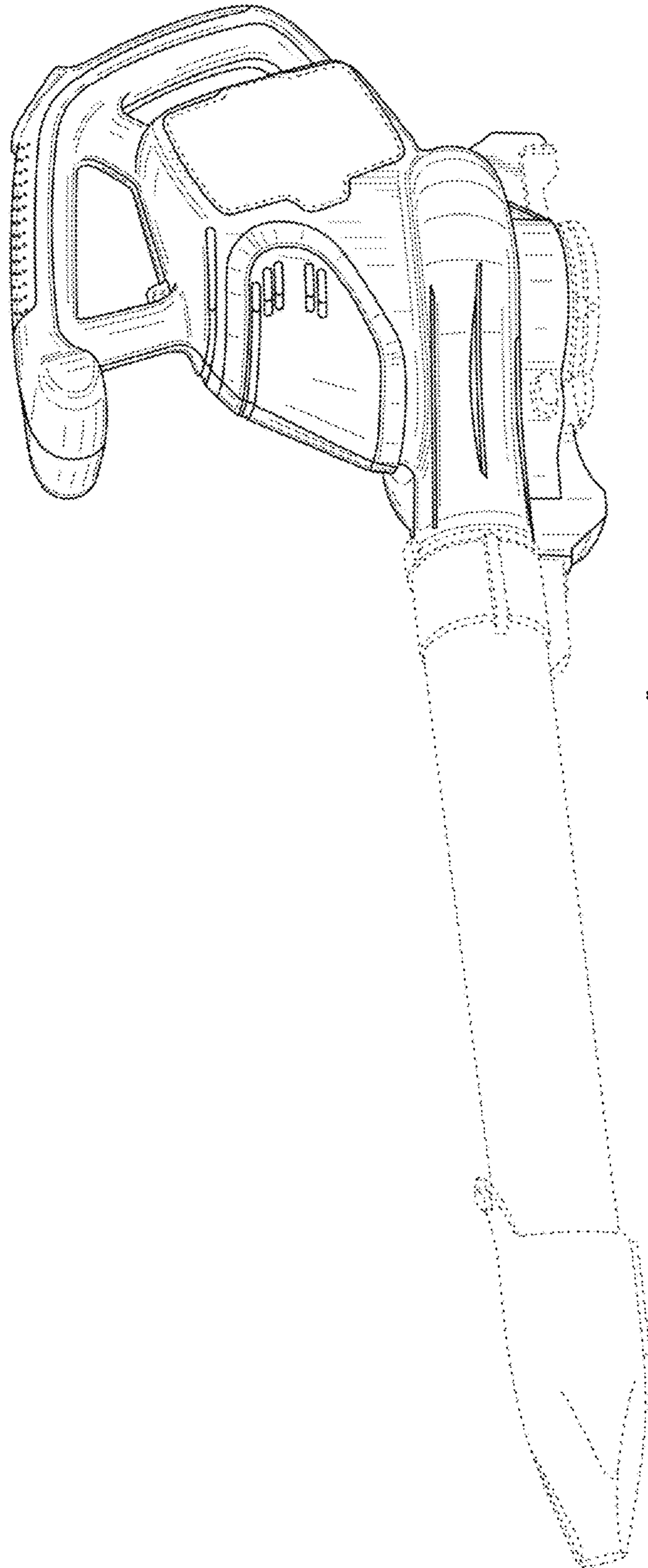


FIG. 1

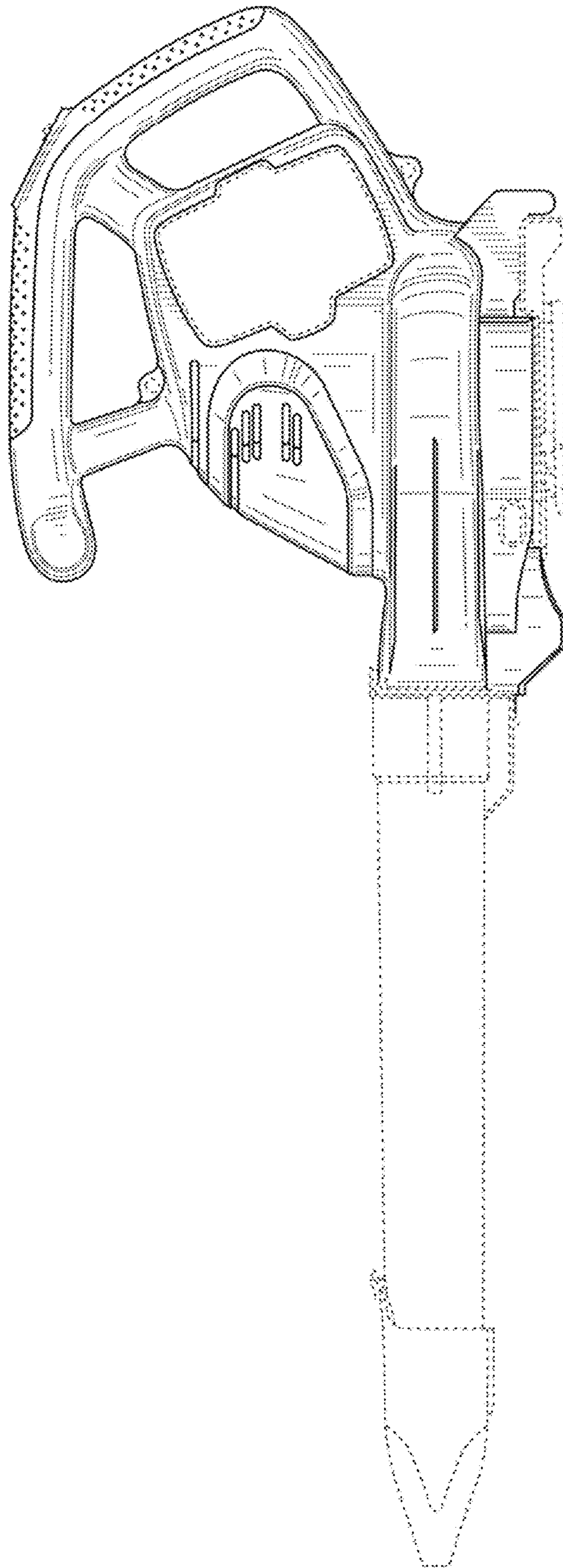


FIG. 2

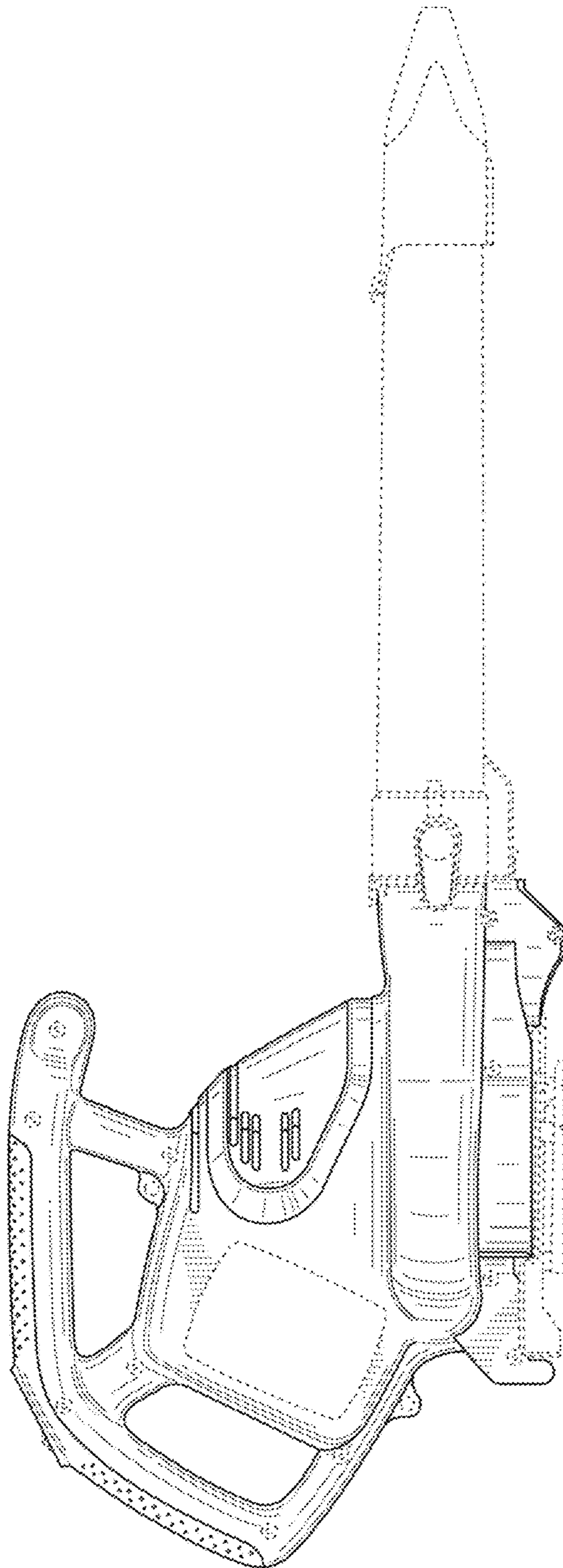


FIG. 3

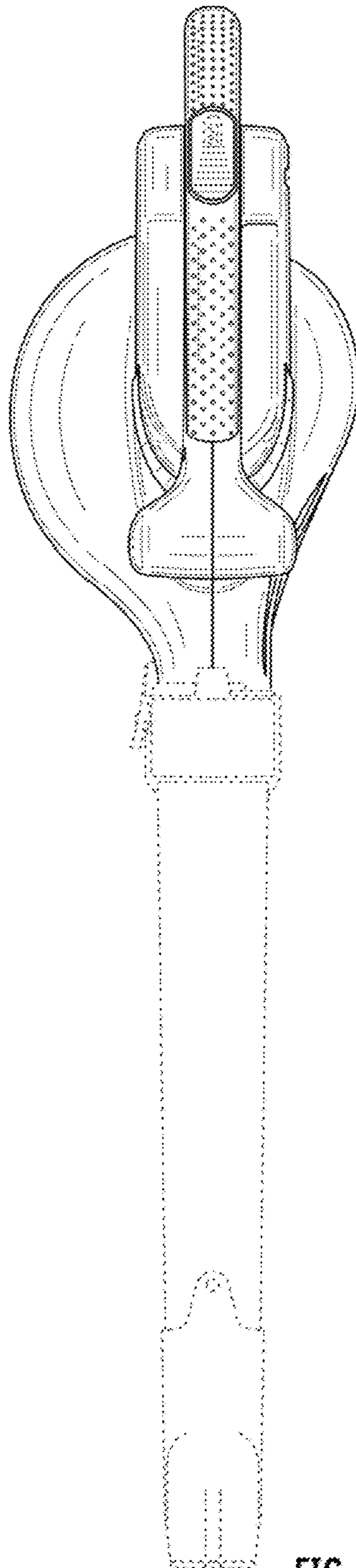


FIG. 4

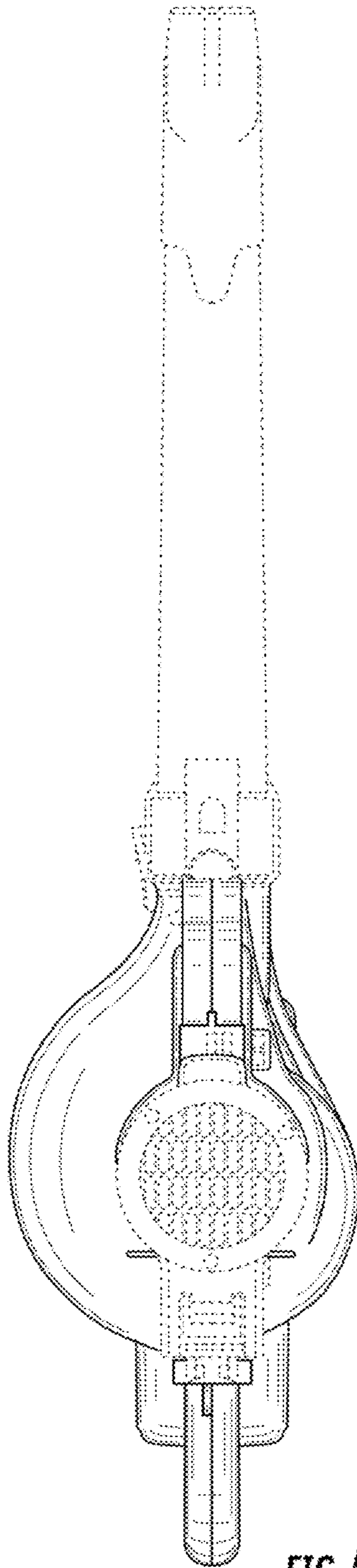


FIG. 5

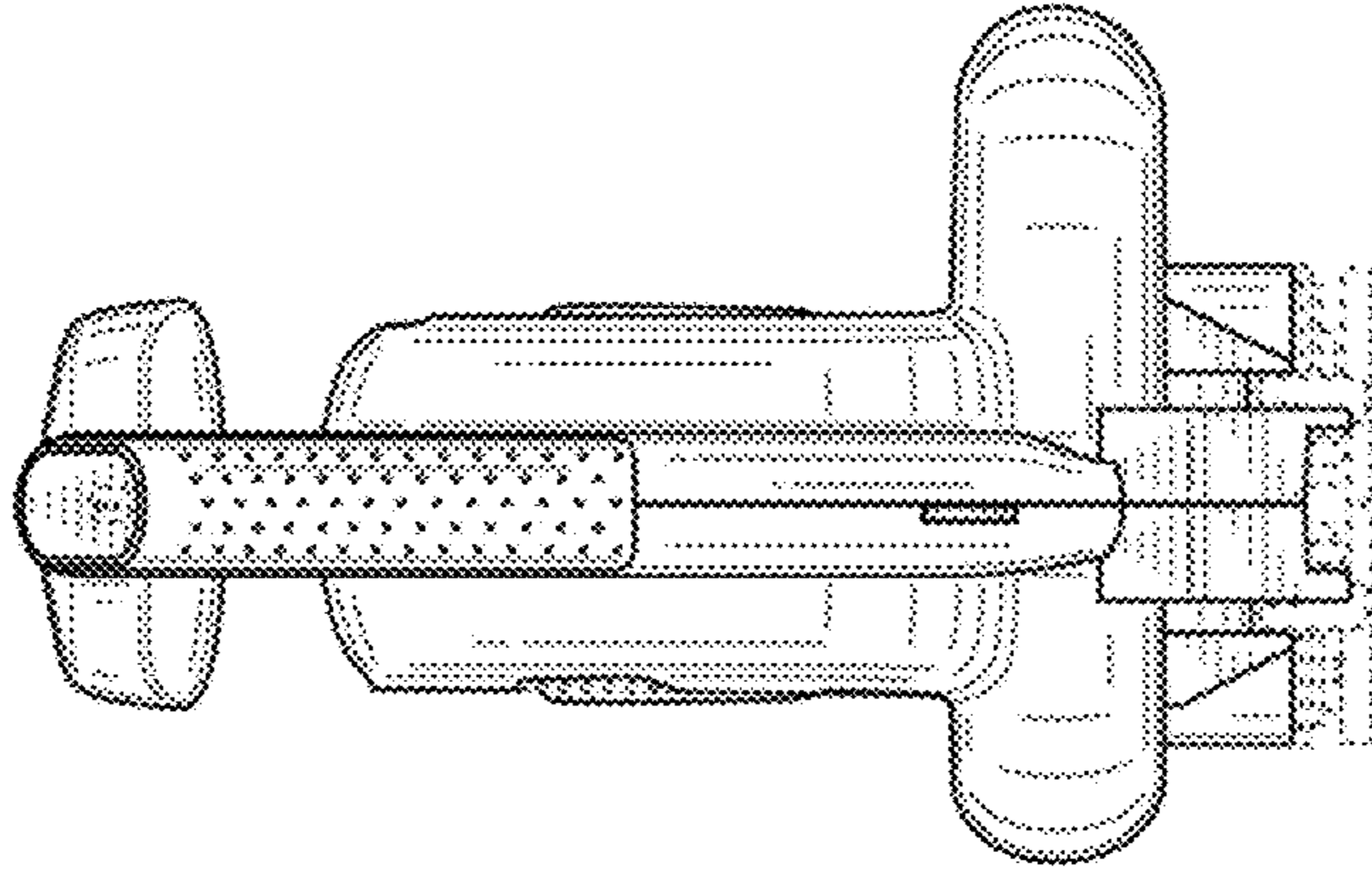


FIG. 7

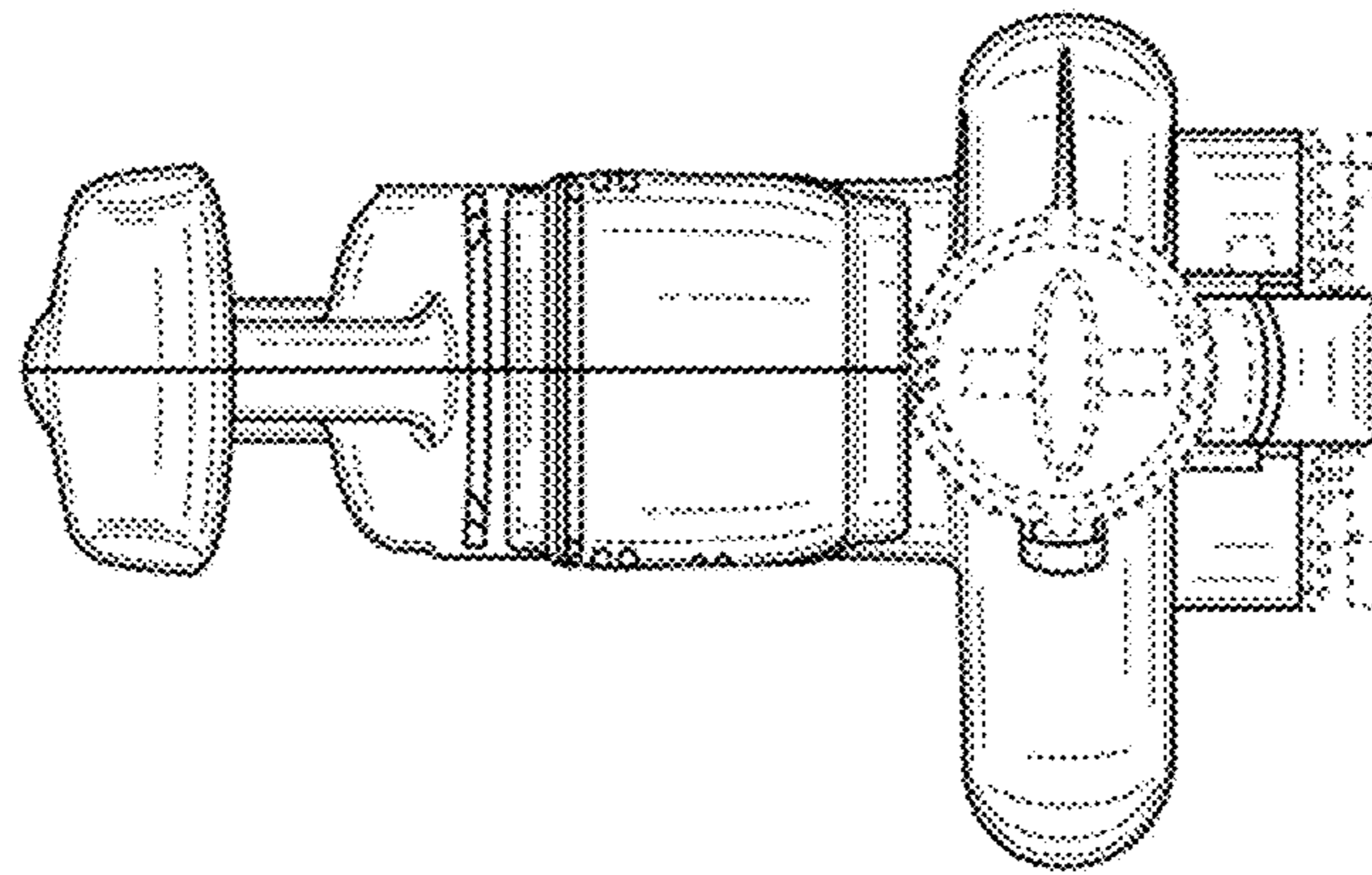


FIG. 6