

US00D834261S

(12) **United States Design Patent** (10) **Patent No.:** **US D834,261 S**  
**Kellermann et al.** (45) **Date of Patent:** **\*\* Nov. 20, 2018**

(54) **HANDLE HOLDER**

(71) Applicants: **Robert Kellermann**, South Pittsburg, TN (US); **Carey Garland**, South Pittsburg, TN (US); **Kelly Peterson**, South Pittsburg, TN (US)

(72) Inventors: **Robert Kellermann**, South Pittsburg, TN (US); **Carey Garland**, South Pittsburg, TN (US); **Kelly Peterson**, South Pittsburg, TN (US)

(73) Assignee: **Lodge Manufacturing Company**, South Pittsburg, TN (US)

(\*\*) Term: **15 Years**

(21) Appl. No.: **29/566,577**

(22) Filed: **Jun. 1, 2016**

(51) **LOC (11) Cl.** ..... **06-13**

(52) **U.S. Cl.**  
USPC ..... **D29/119**

(58) **Field of Classification Search**  
USPC ..... D29/113, 119  
CPC ..... A47J 45/10  
See application file for complete search history.

(56) **References Cited**

**U.S. PATENT DOCUMENTS**

D165,211 S *	11/1951	Arnone	.....	D29/119
2,759,278 A *	8/1956	Fray	.....	D06F 79/00
				38/95
D303,725 S *	9/1989	Rojko	.....	D2/622
D307,198 S *	4/1990	Rojko	.....	D2/622
D307,199 S *	4/1990	Rojko	.....	D2/622
D529,235 S *	9/2006	Zanner	.....	D29/119
2010/0313385 A1 *	12/2010	Brahler, II	.....	B25G 1/102
				16/421

**OTHER PUBLICATIONS**

Hide and Drink Rustic Leather Hot Handle Holder, posted at amazon.com, posting date Nov. 24, 2015, [online], [site visited Jul.

11, 2017]. Available from Internet, <URL: <https://www.amazon.com/PanhandlePotholderStitchedHideDrink/dp/B017M7VG5G>>.\*  
Uxcell Pan Handle Cover, posted at amazon.com, posting date not given, [online], [site visited Jul. 11, 2017]. Available from Internet, <URL: [https://www.amazon.com/dp/B01FXN6S1I/ref=asc\\_df\\_B01FXN6S1I5070528/](https://www.amazon.com/dp/B01FXN6S1I/ref=asc_df_B01FXN6S1I5070528/)>.\*  
Lodge Leather Hot Handle Holder, posted at amazon.com, posting date not given, [online], [site visited Jul. 11, 2017]. Available from Internet, <URL: <https://www.webstaurantstore.com/lodge-alhns85-6-leather-hot-handle-holder/530ALHHNS85.html>>.\*  
Lodge Mini Silicone Hot Handle Holder, posted at amazon.com, posting date not given, [online], [site visited Jul. 11, 2017]. Available from Internet, <URL: <https://www.katom.com/261-ASHHM11.html>>.\*

\* cited by examiner

*Primary Examiner* — Caron D Veynar

*Assistant Examiner* — Maria J Edwards

(74) *Attorney, Agent, or Firm* — Stephen J. Stark; Miller & Martin PLLC

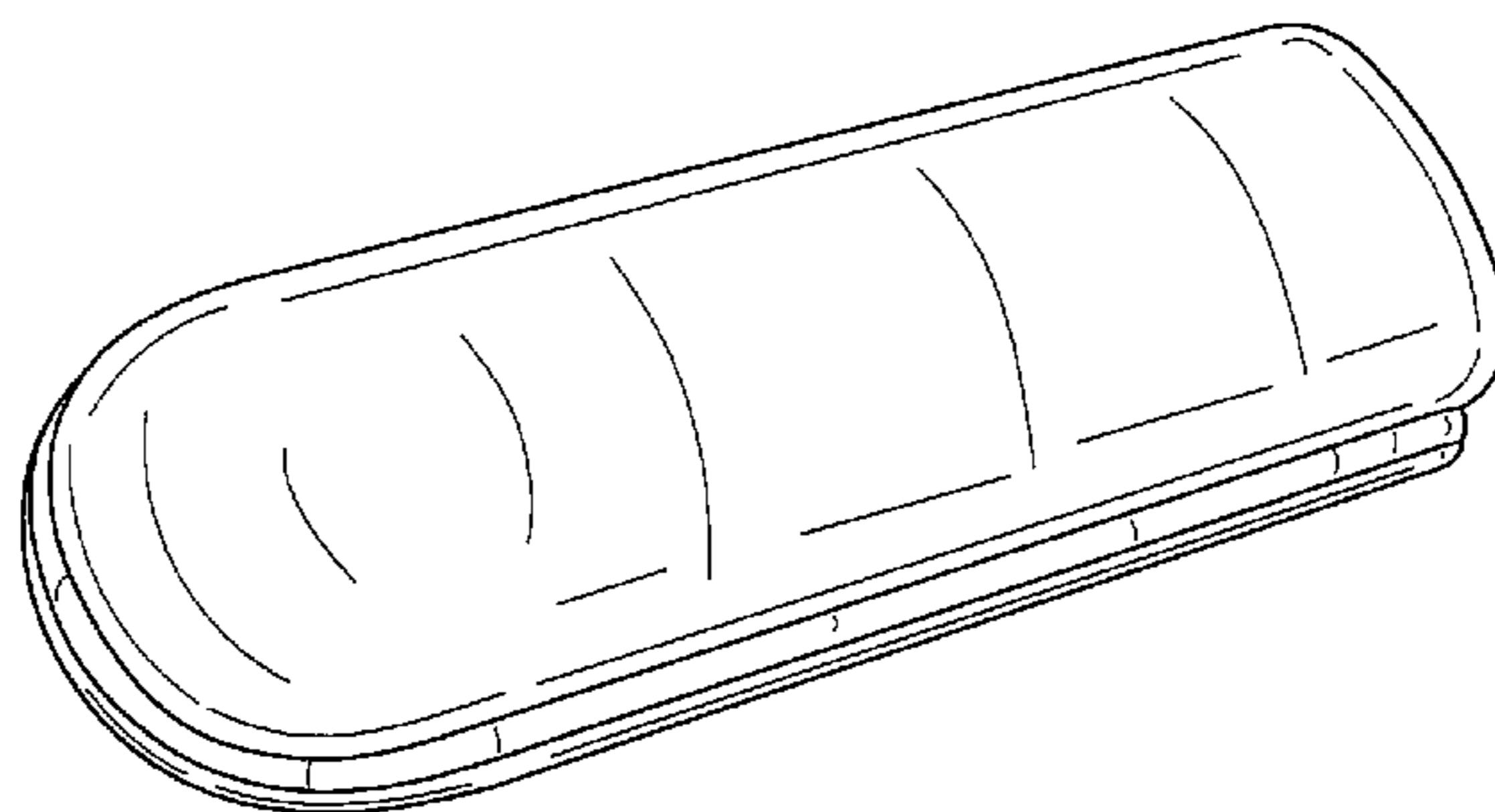
(57) **CLAIM**

The ornamental design for a handle holder, as is shown and described herein.

**DESCRIPTION**

FIG. 1 is a perspective view thereof;  
FIG. 2 is a top elevational view thereof; the bottom elevational view being a mirror image thereof;  
FIG. 3 is a right side elevational view thereof; the left side elevational view thereof being a mirror image thereof;  
FIG. 4 is a front plan view thereof; and,  
FIG. 5 is a back plan view thereof.  
The broken lines in FIG. 4 illustrate portions of the handle holder and form no part of the claimed design. The handle holder is shown with a symbolic break in length. The appearance of any portion of the article between the break lines forms no part of the claimed design.

**1 Claim, 2 Drawing Sheets**



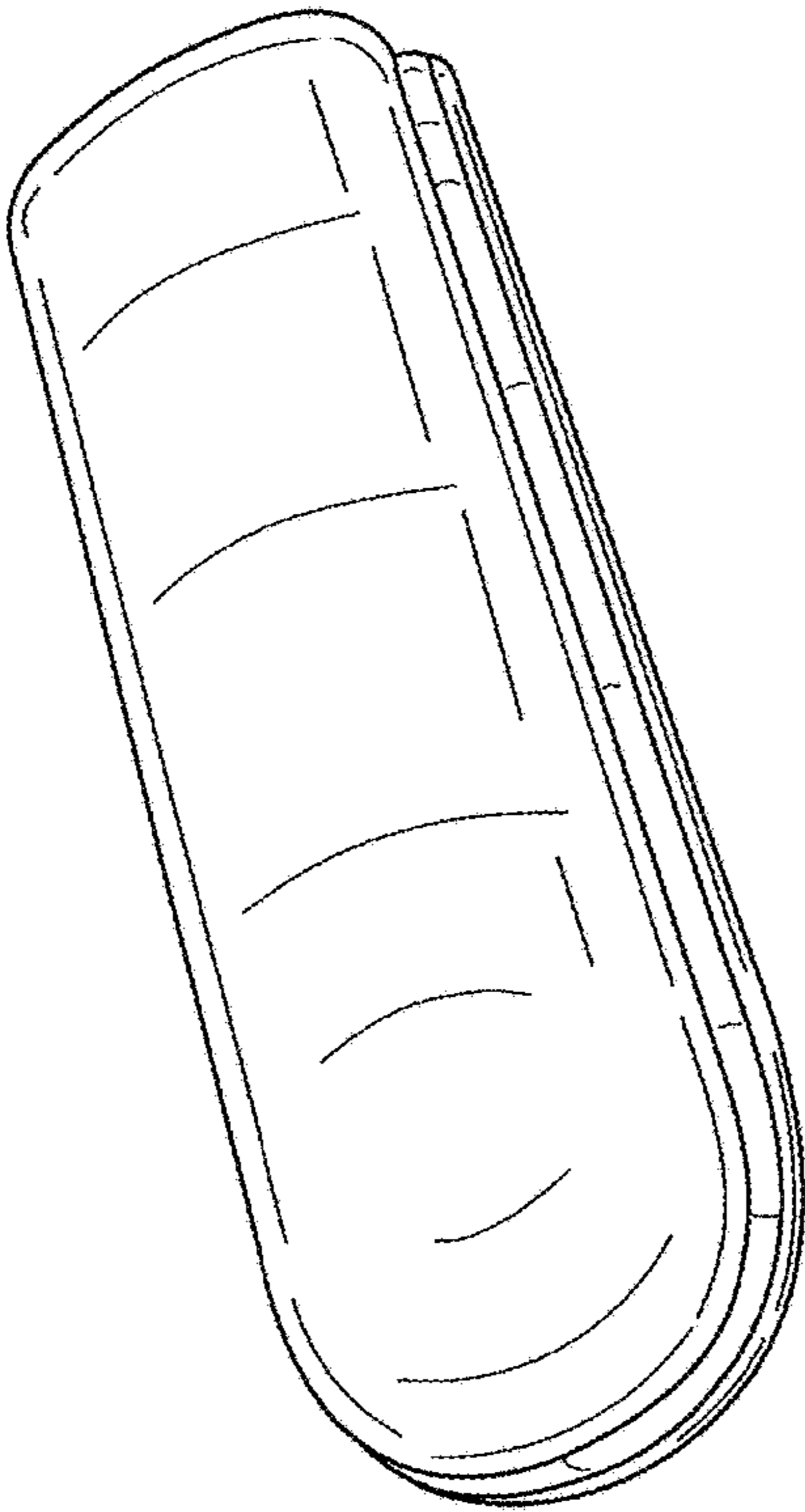


FIG. 1

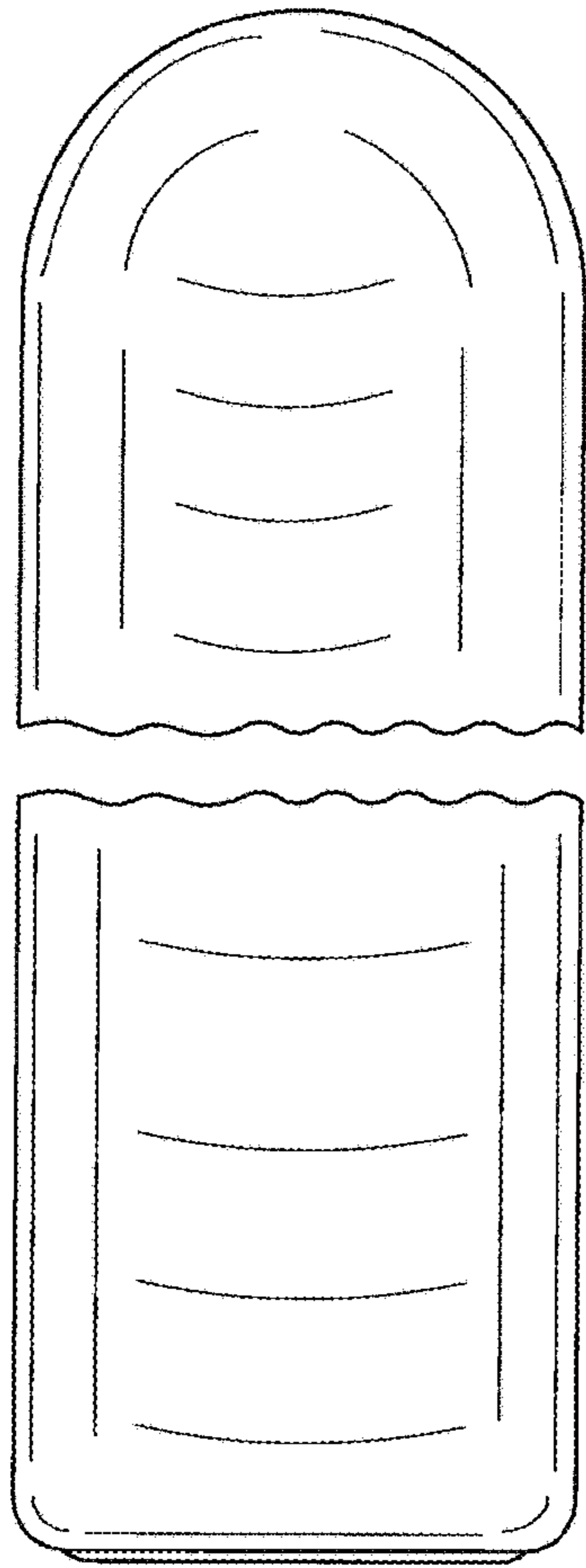


FIG. 2

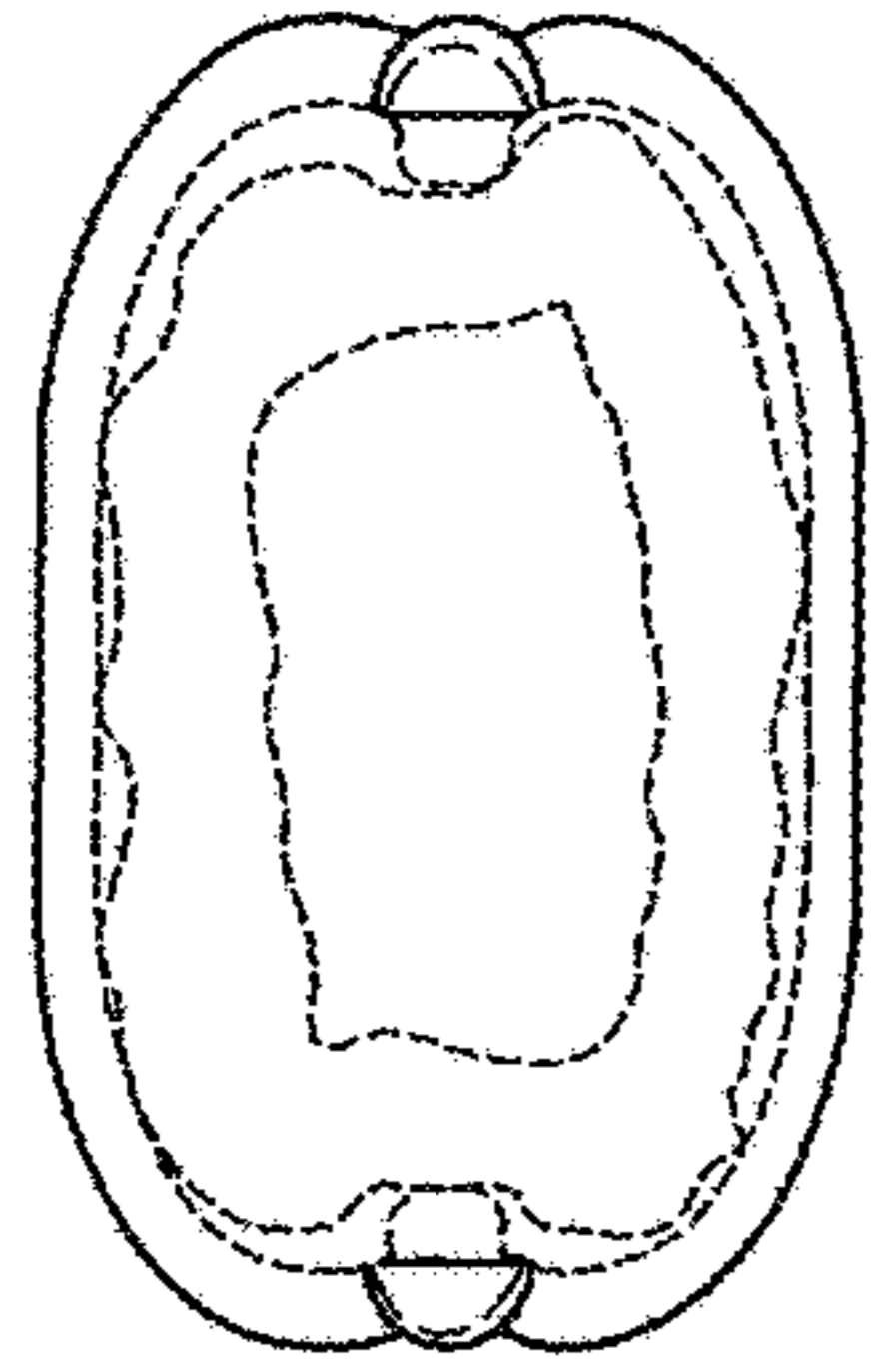


FIG. 4

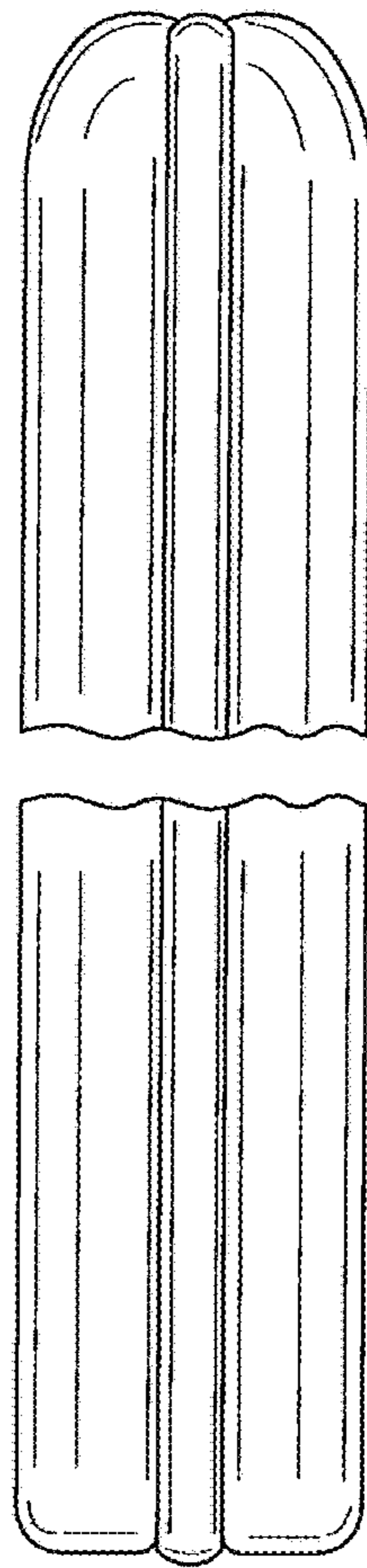


FIG. 3

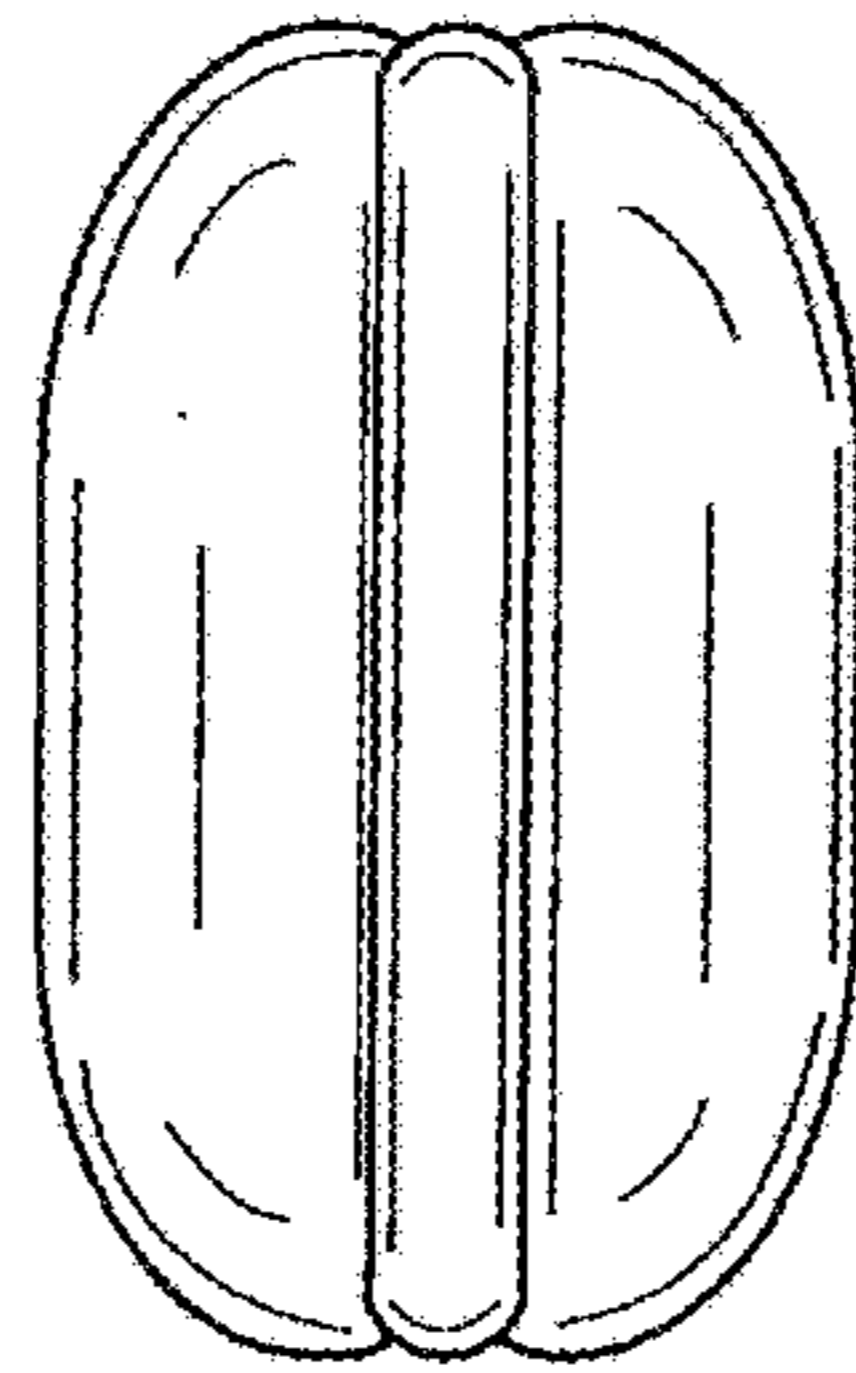


FIG. 5