



US00D834260S

(12) **United States Design Patent**  
**Garcia Mansilla et al.**

(10) **Patent No.:** **US D834,260 S**

(45) **Date of Patent:** **\*\* Nov. 20, 2018**

(54) **PAIR OF HEADPHONES**

(71) Applicant: **UNIT 1 GEAR, INC.**, Wilmington, DE (US)

(72) Inventors: **Juan Garcia Mansilla**, Buenos Aires (AR); **Javier Mariano Bertani**, Buenos Aires (AR)

(73) Assignee: **UNIT 1 GEAR LLC**, Wilmington, DE (US)

(\*\*) Term: **15 Years**

(21) Appl. No.: **29/657,348**

(22) Filed: **Jul. 20, 2018**

**Related U.S. Application Data**

(62) Division of application No. 29/594,601, filed on Feb. 21, 2017, now Pat. No. Des. 827,207.

(51) **LOC (11) Cl.** ..... **29-02**

(52) **U.S. Cl.**  
USPC ..... **D29/112; D14/205**

(58) **Field of Classification Search**  
USPC ..... **D29/102-107, 122, 112; D14/223, D14/205-206**

CPC ..... **A42B 3/166; A42B 3/222; A42B 3/321; A42B 3/127; A42B 3/125; A42B 3/128; A42B 3/0433; A42B 3/0453; A42B 3/046; A42B 3/00; A42B 3/22; A42B 3/30; A42B 3/283; A42B 3/303; A42B 3/306; A63B 71/10; G06F 3/017; G06F 3/005; G06F 3/012; H04R 1/10; H04R 1/1066; H04R 5/033; H04R 5/0335**

See application file for complete search history.

(56) **References Cited**

**U.S. PATENT DOCUMENTS**

D244,491 S \* 5/1977 Csiki ..... D29/105  
4,944,361 A \* 7/1990 Lindgren ..... A42B 3/166  
181/129

D403,128 S \* 12/1998 Scanlon ..... D29/122  
D527,846 S \* 9/2006 Isenbarger ..... D29/103  
7,283,641 B2 \* 10/2007 Rolla ..... A42B 3/166  
381/370  
8,166,575 B2 \* 5/2012 Haselmayer ..... A42B 3/166  
2/10  
D663,902 S \* 7/2012 Karlsson ..... A61F 11/14  
D14/205  
D704,379 S \* 5/2014 Lee ..... D29/103  
9,168,176 B2 \* 10/2015 Peebles ..... A63B 71/10  
9,179,728 B2 \* 11/2015 Pfanner ..... A42B 3/166  
9,339,075 B2 \* 5/2016 Ratliff ..... A42B 3/166  
D763,225 S \* 8/2016 Bin ..... D14/205  
D765,055 S \* 8/2016 Hsieh ..... D14/205  
D787,469 S \* 5/2017 Djohar ..... D14/205  
D787,470 S \* 5/2017 Kelly ..... D14/205  
D791,102 S \* 7/2017 Katsuno ..... D14/205  
D797,074 S \* 9/2017 Martin ..... D14/205  
D800,691 S \* 10/2017 Ando ..... D14/205  
D806,674 S \* 1/2018 Zhang ..... D14/205  
D817,303 S \* 5/2018 Tragatschnig ..... D14/205

(Continued)

*Primary Examiner* — Ruth McInroy

(74) *Attorney, Agent, or Firm* — Hodgson Russ LLP

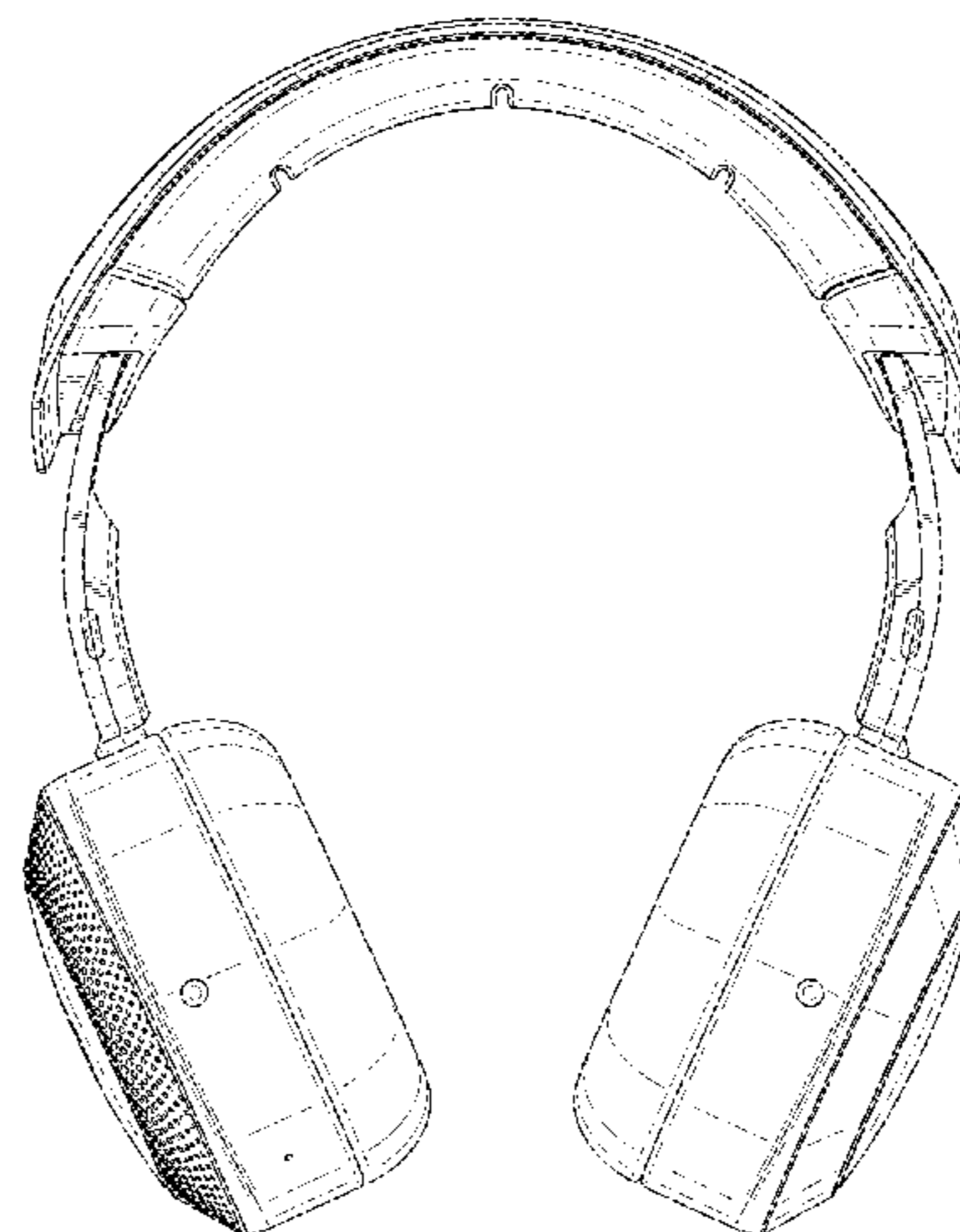
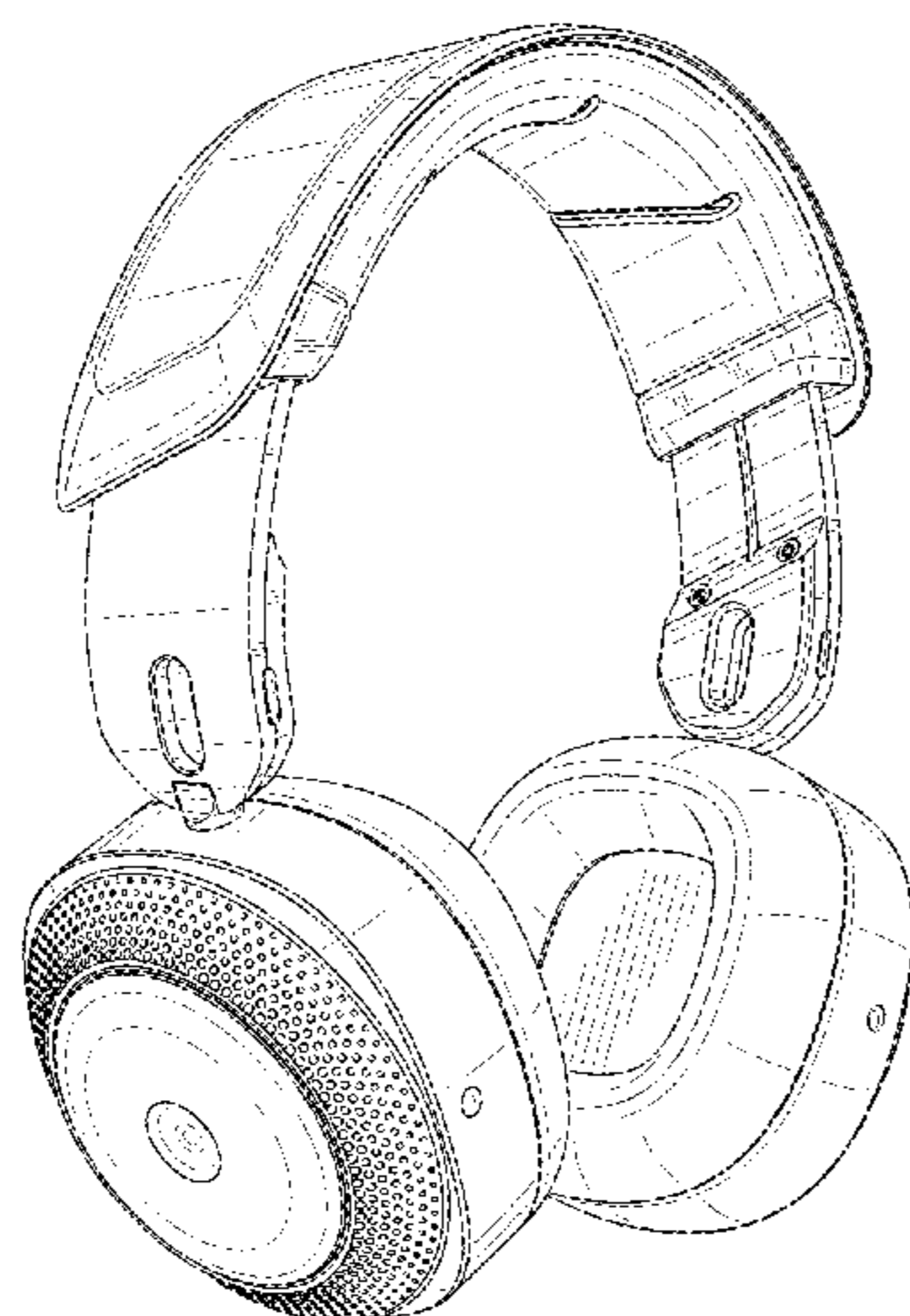
(57) **CLAIM**

We claim the ornamental design for a pair of headphones, as shown and described.

**DESCRIPTION**

FIG. 1 is a front perspective view of a pair of headphones showing our new design;  
FIG. 2 is a front elevation view thereof;  
FIG. 3 is a rear elevation view thereof;  
FIG. 4 is a top plan view thereof;  
FIG. 5 is a bottom plan view thereof;  
FIG. 6 is a right side elevation view thereof; and,  
FIG. 7 is a left side elevation view thereof.

**1 Claim, 7 Drawing Sheets**



(56)

**References Cited**

U.S. PATENT DOCUMENTS

10,015,580 B1 \* 7/2018 Bruno ..... H04R 1/1066  
D826,209 S \* 8/2018 Homewood ..... D14/205  
D826,897 S \* 8/2018 Wang ..... D14/205

\* cited by examiner

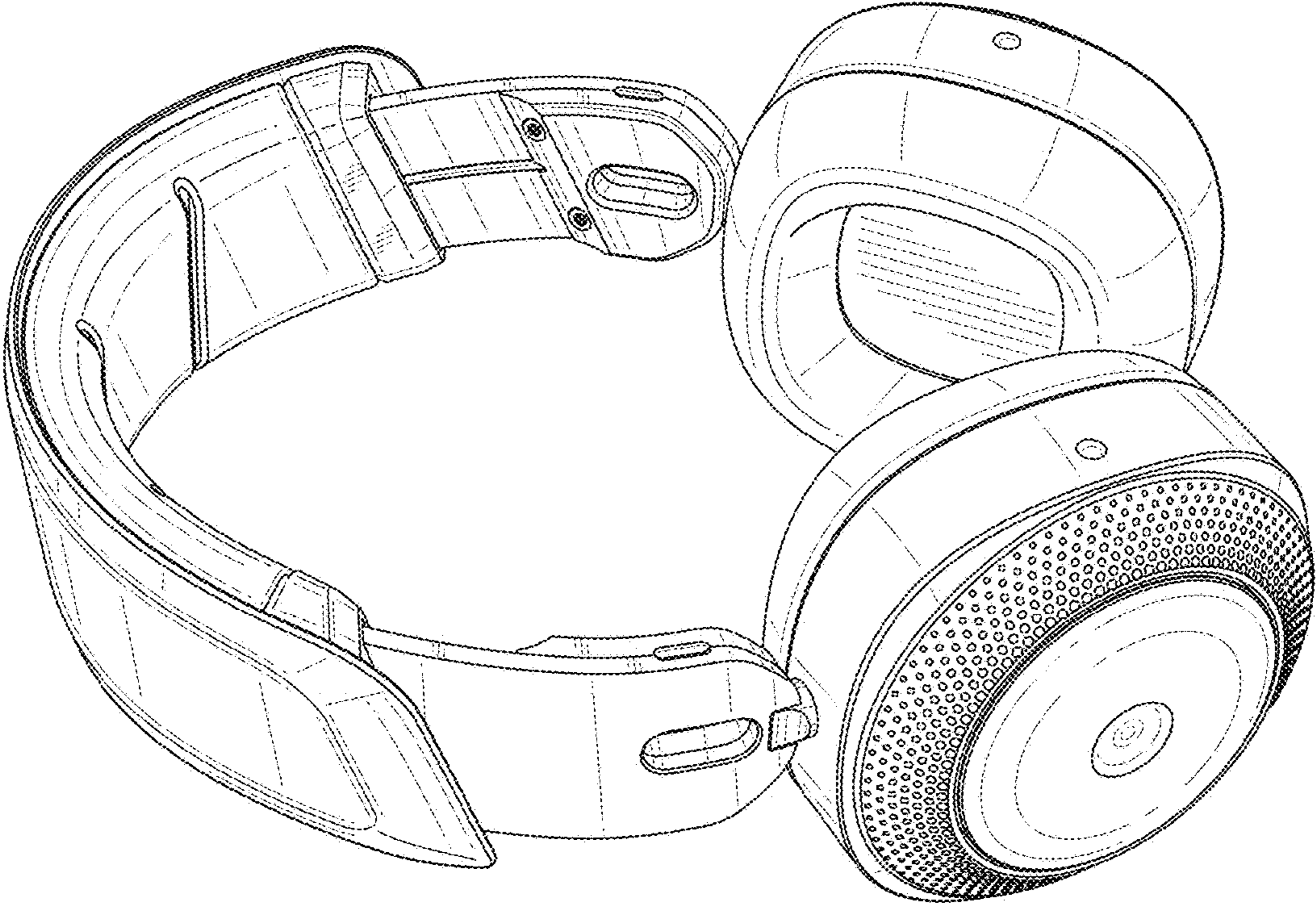


FIG. 1



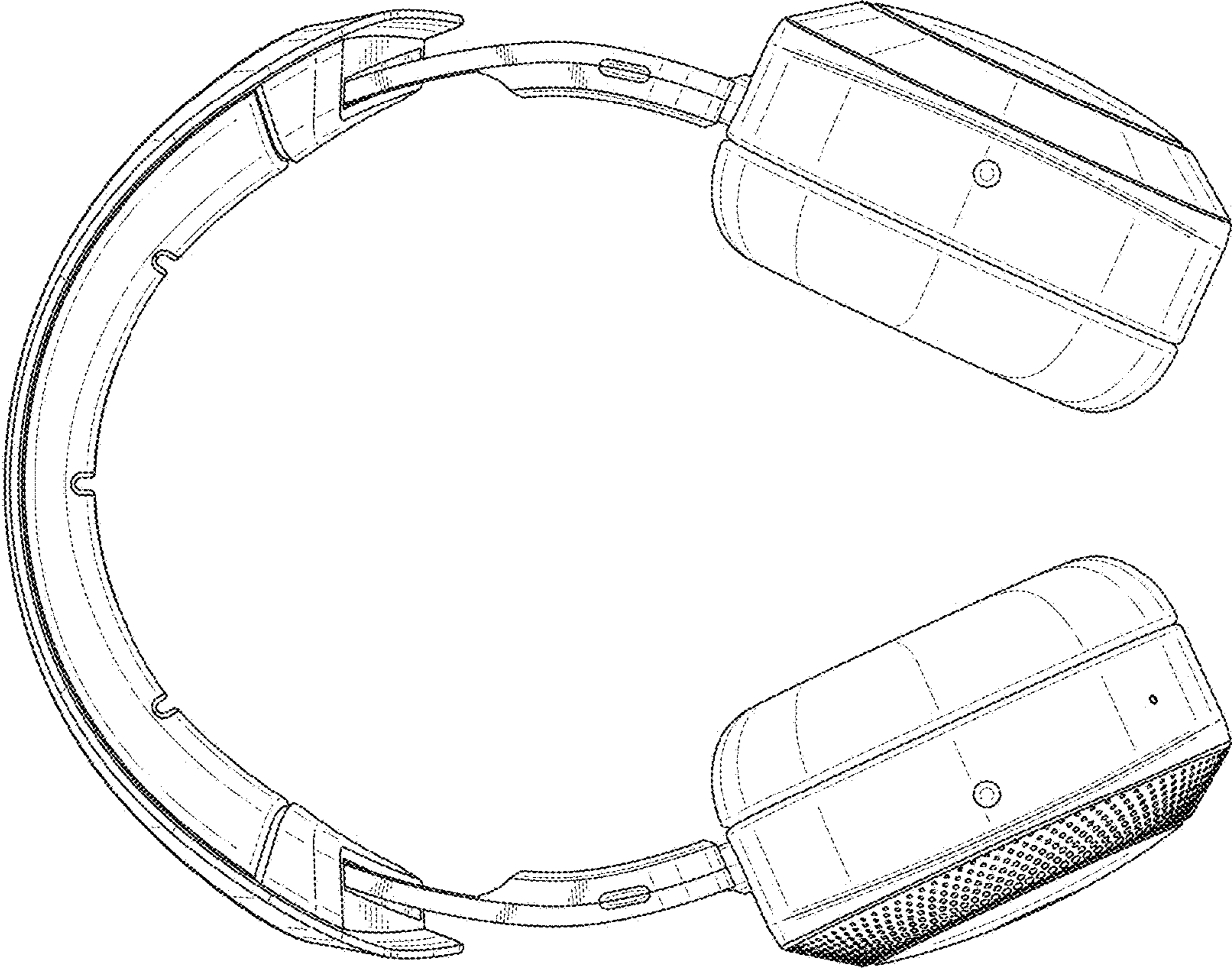


FIG. 2

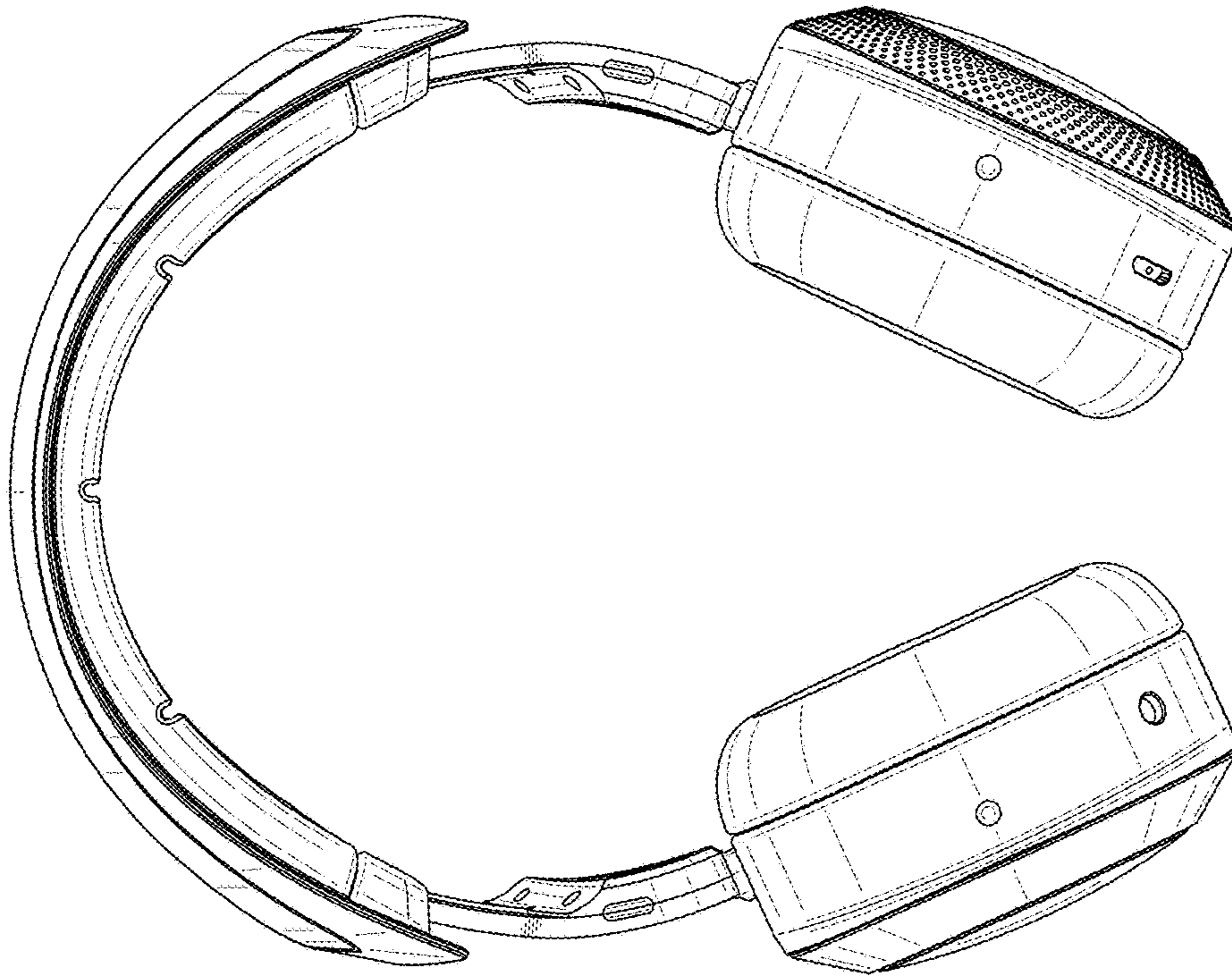
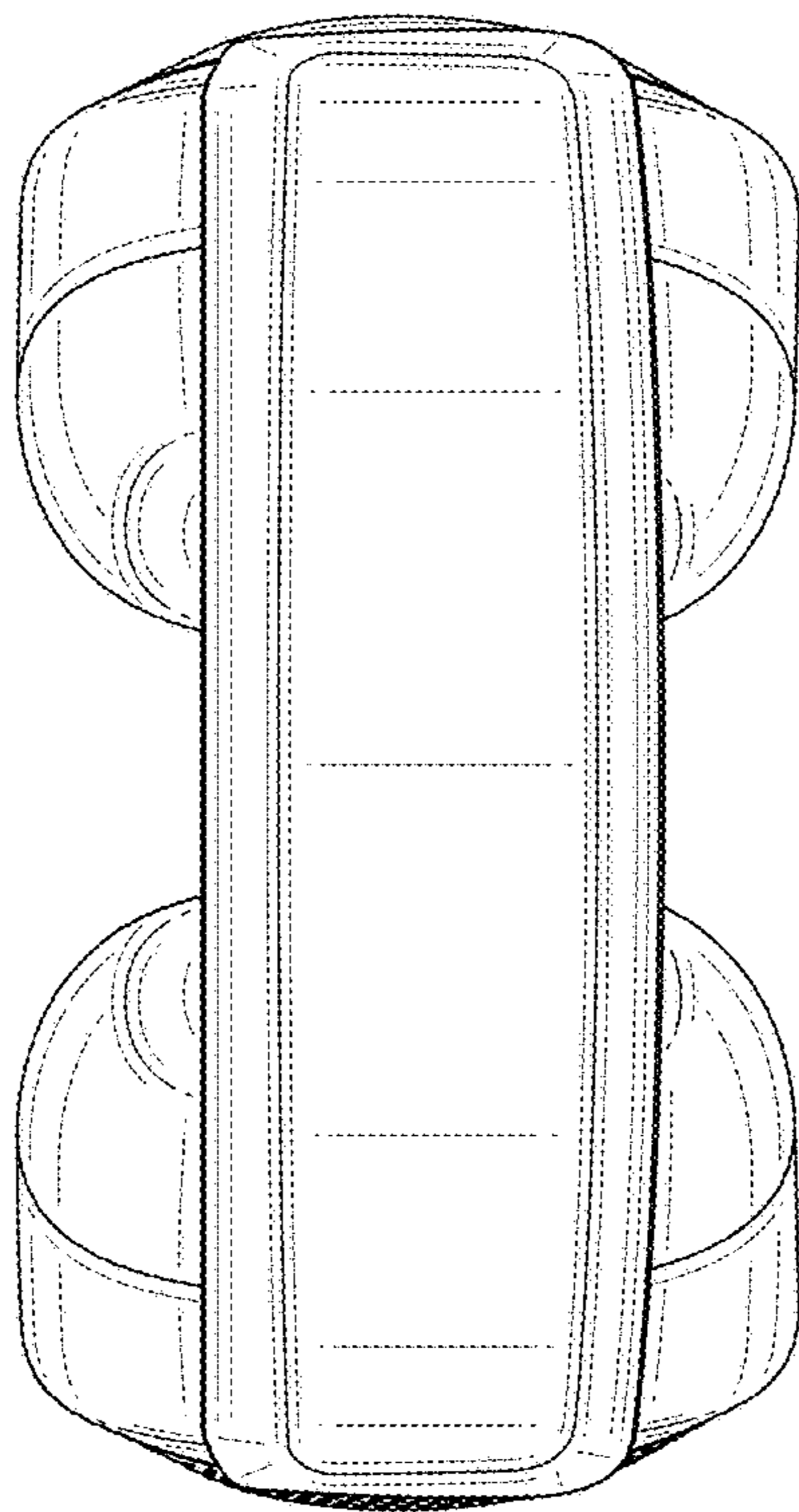
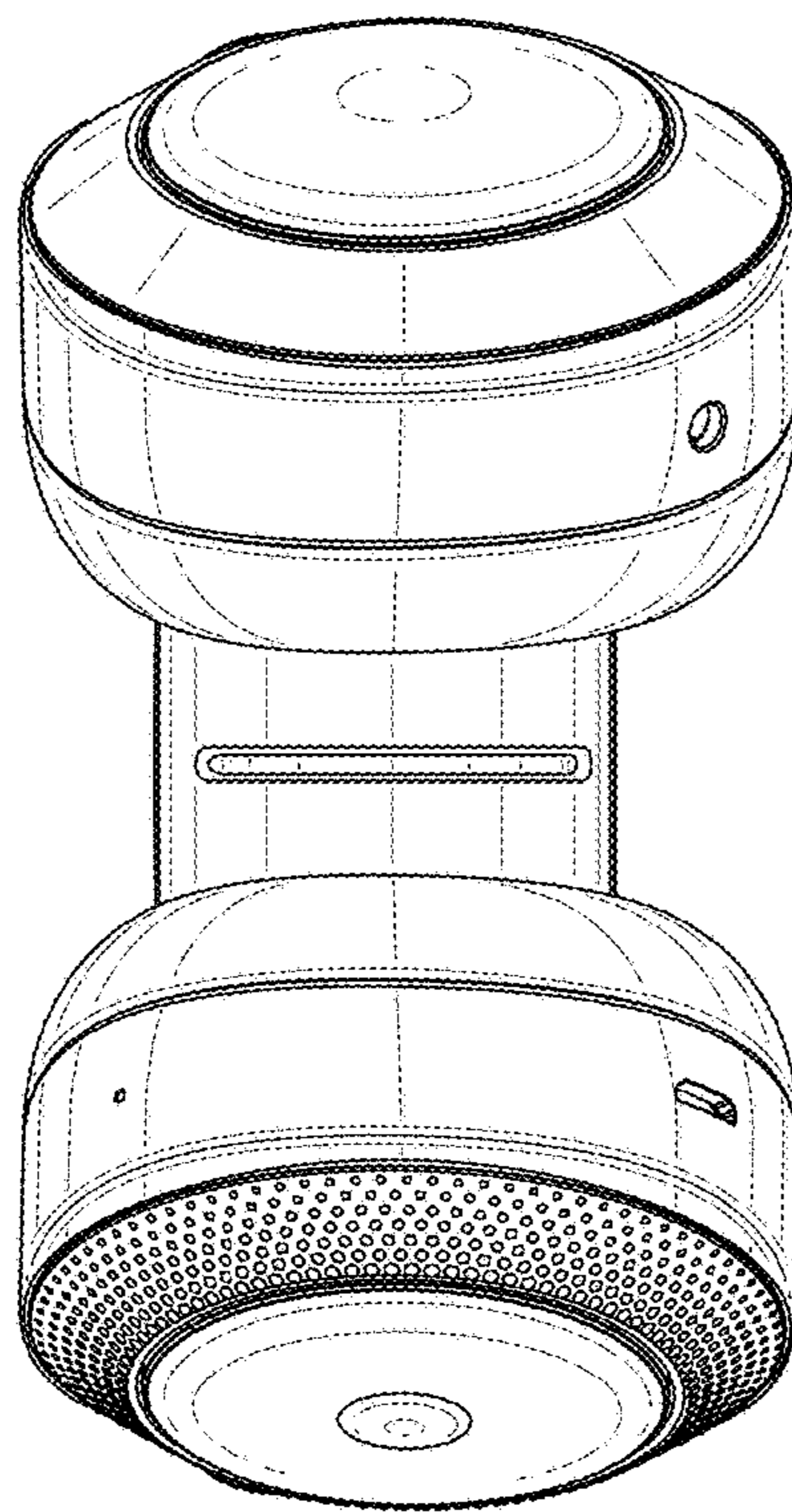


FIG. 3



**FIG. 4**



**FIG. 5**

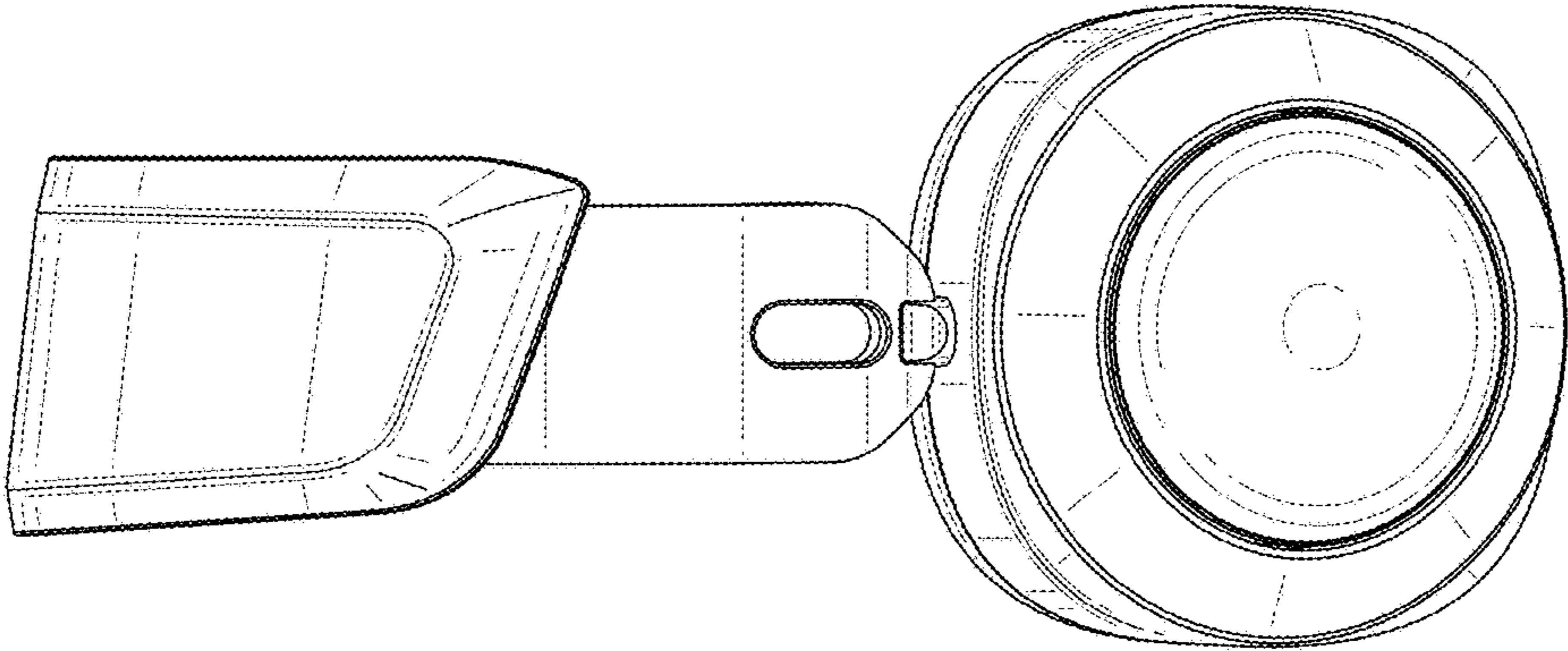


FIG. 6



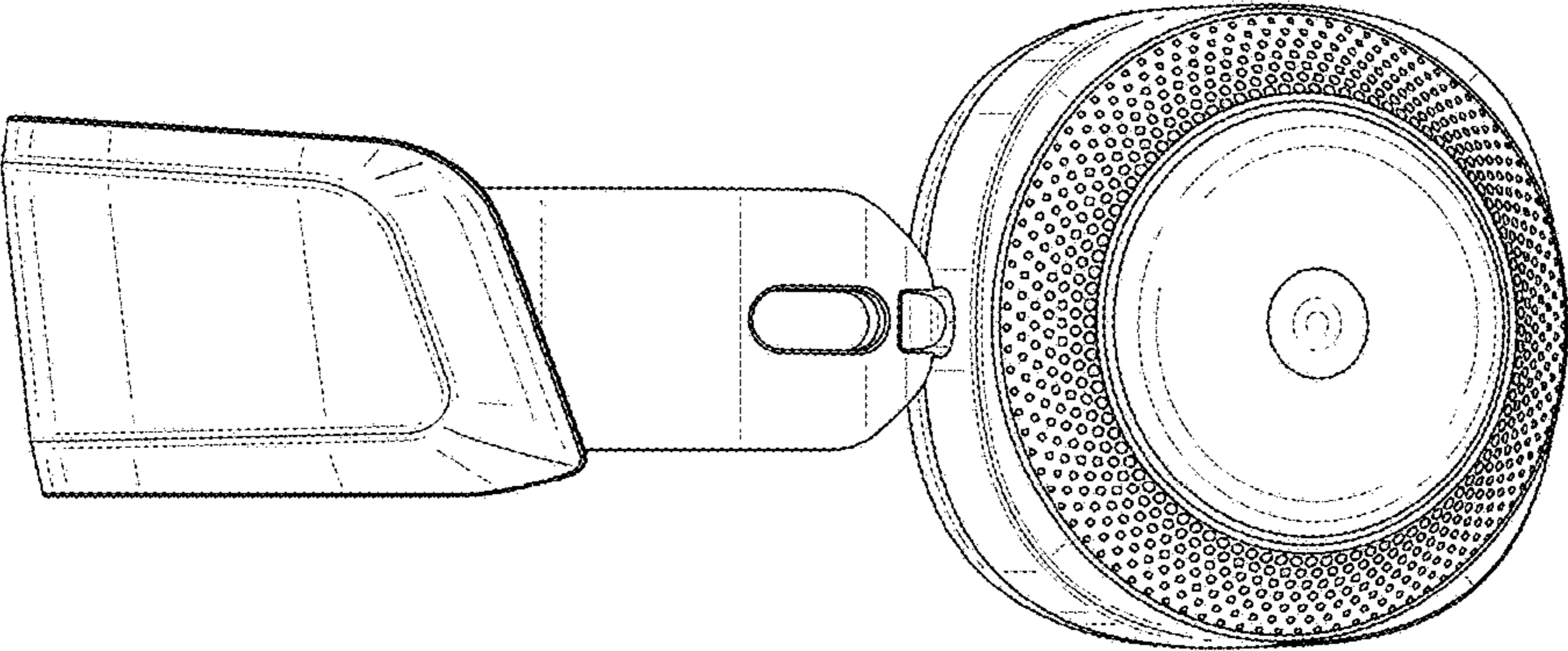


FIG. 7