



US00D834259S

(12) **United States Design Patent**  
**Huang**

(10) **Patent No.:** **US D834,259 S**

(45) **Date of Patent:** **\*\* Nov. 20, 2018**

(54) **WELDING HELMET**

(71) Applicant: **Wuhan Welhel Photoelectric Co., Ltd.**, Wuhan (CN)

(72) Inventor: **Shangyou Huang**, Wuhan (CN)

(73) Assignee: **Wuhan Welhel Photoelectric Co., Ltd.** (CN)

(\*\*) Term: **15 Years**

(21) Appl. No.: **29/600,420**

(22) Filed: **Apr. 12, 2017**

(51) **LOC (11) Cl.** ..... **29-02**

(52) **U.S. Cl.**  
USPC ..... **D29/110**

(58) **Field of Classification Search**  
USPC .... D29/110, 102, 106-107, 122; D24/110.1, D24/110.2, 110.3  
CPC .. A61F 9/06; A61F 9/061; A61F 9/064; A61F 9/065; A61F 9/067; A61F 9/068  
See application file for complete search history.

(56) **References Cited**

**U.S. PATENT DOCUMENTS**

- 4,863,244 A \* 9/1989 Fuerthbauer ..... A61F 9/067 2/431
- 8,381,312 B2 \* 2/2013 Seo ..... A61F 9/064 2/8.4

- D677,436 S \* 3/2013 Juhlin ..... D29/122
- 8,806,662 B2 \* 8/2014 Huh ..... A61F 9/067 2/8.2
- 9,038,198 B2 \* 5/2015 Feinberg ..... A61F 9/065 2/8.2
- D812,817 S \* 3/2018 Allinson ..... D29/107

\* cited by examiner

*Primary Examiner* — Robert A Delehanty

(74) *Attorney, Agent, or Firm* — Design IP

(57) **CLAIM**

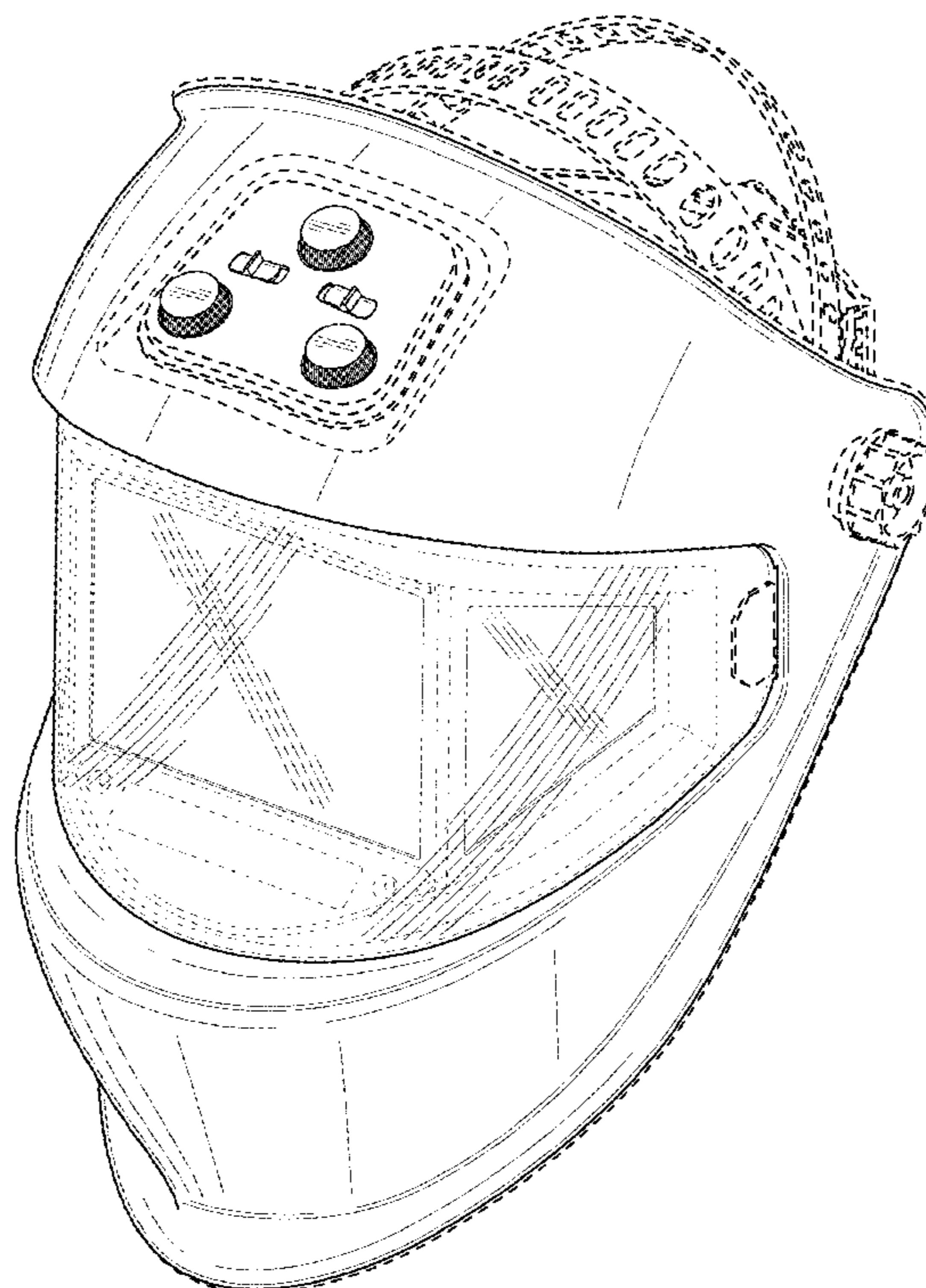
The ornamental design for a welding helmet, as shown and described.

**DESCRIPTION**

FIG. 1 is a front perspective view of a welding helmet showing my new design;  
 FIG. 2 is a left side view thereof;  
 FIG. 3 is a right side view thereof;  
 FIG. 4 is a front view thereof;  
 FIG. 5 is a rear view thereof;  
 FIG. 6 is a top view thereof; and,  
 FIG. 7 is a bottom view thereof.

The broken line showing of portions of the welding helmet in FIGS. 1-7 is for the purpose of illustrating environmental structure and forms no part of the claimed design. The oblique line shading shown in FIGS. 1-4 represents a glass surface.

**1 Claim, 7 Drawing Sheets**



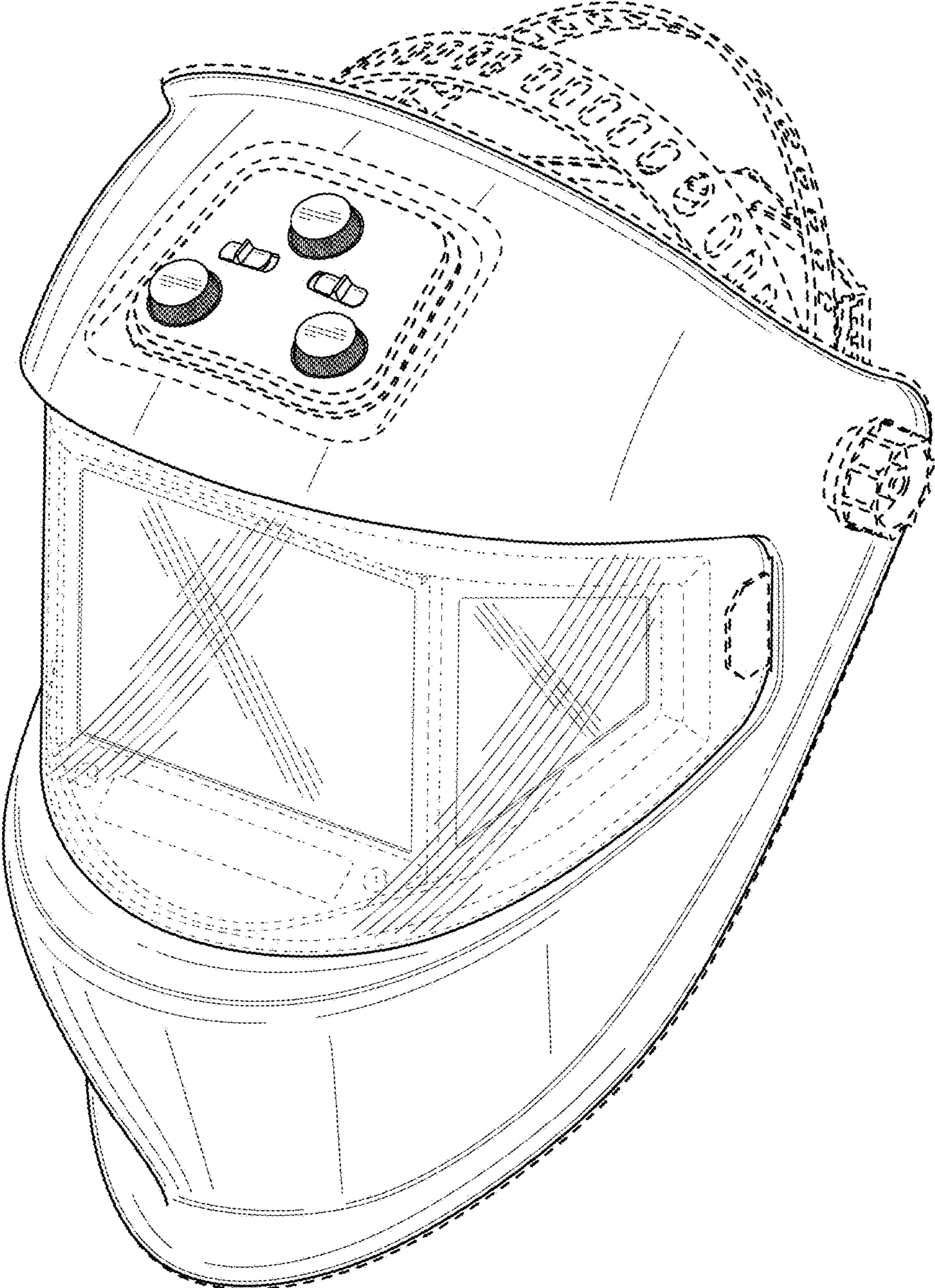


FIG. 1

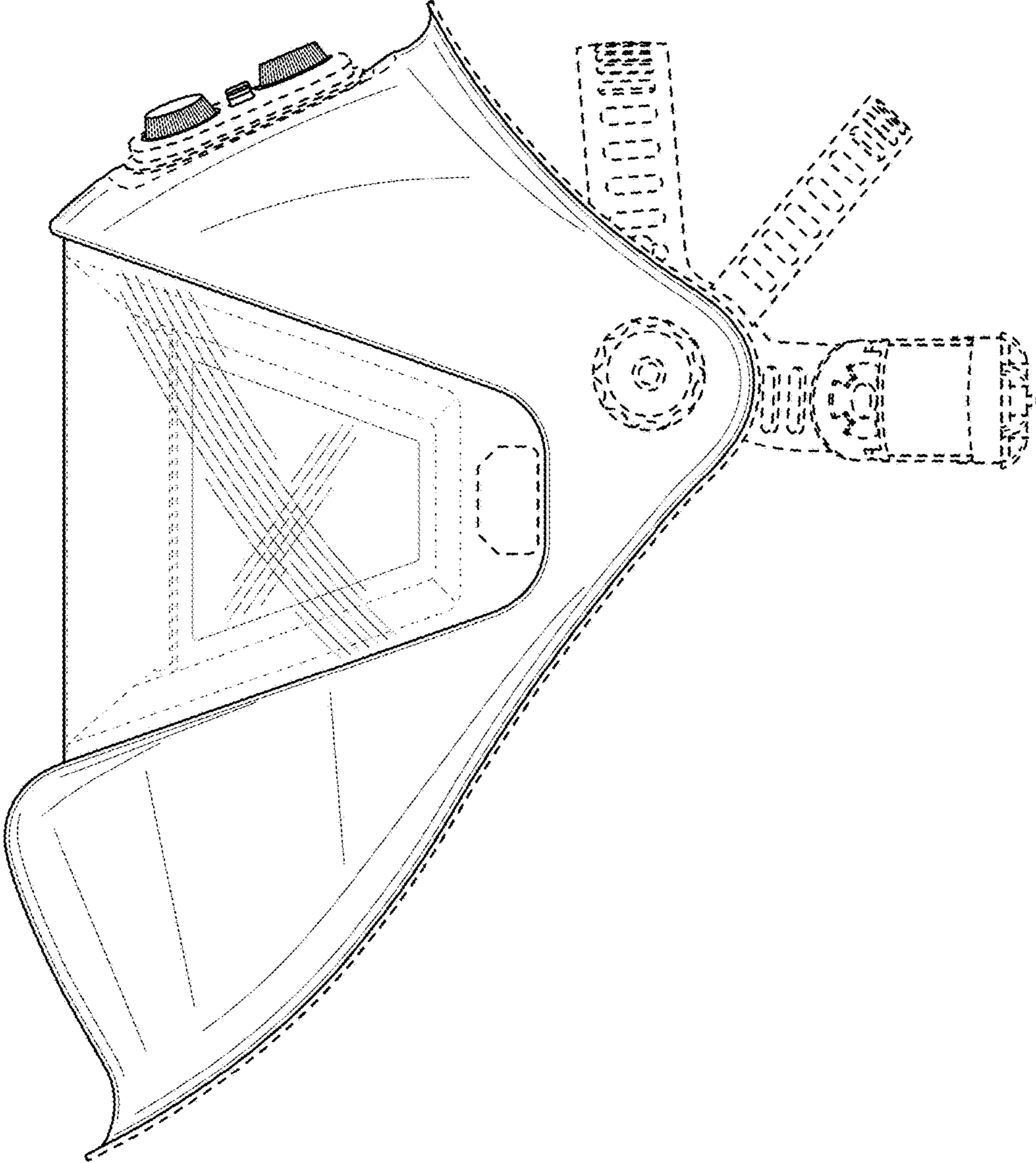


FIG. 2

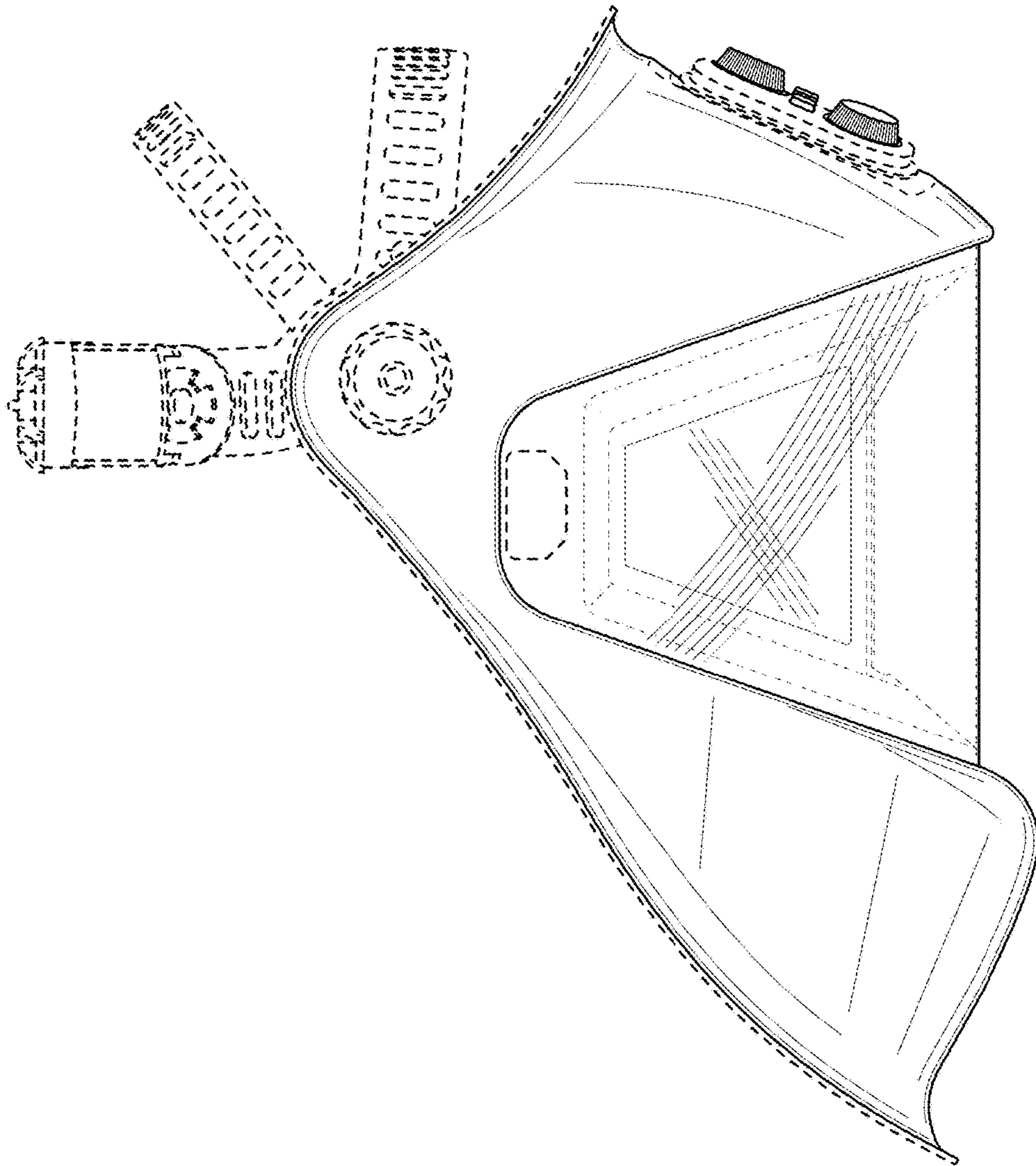


FIG. 3

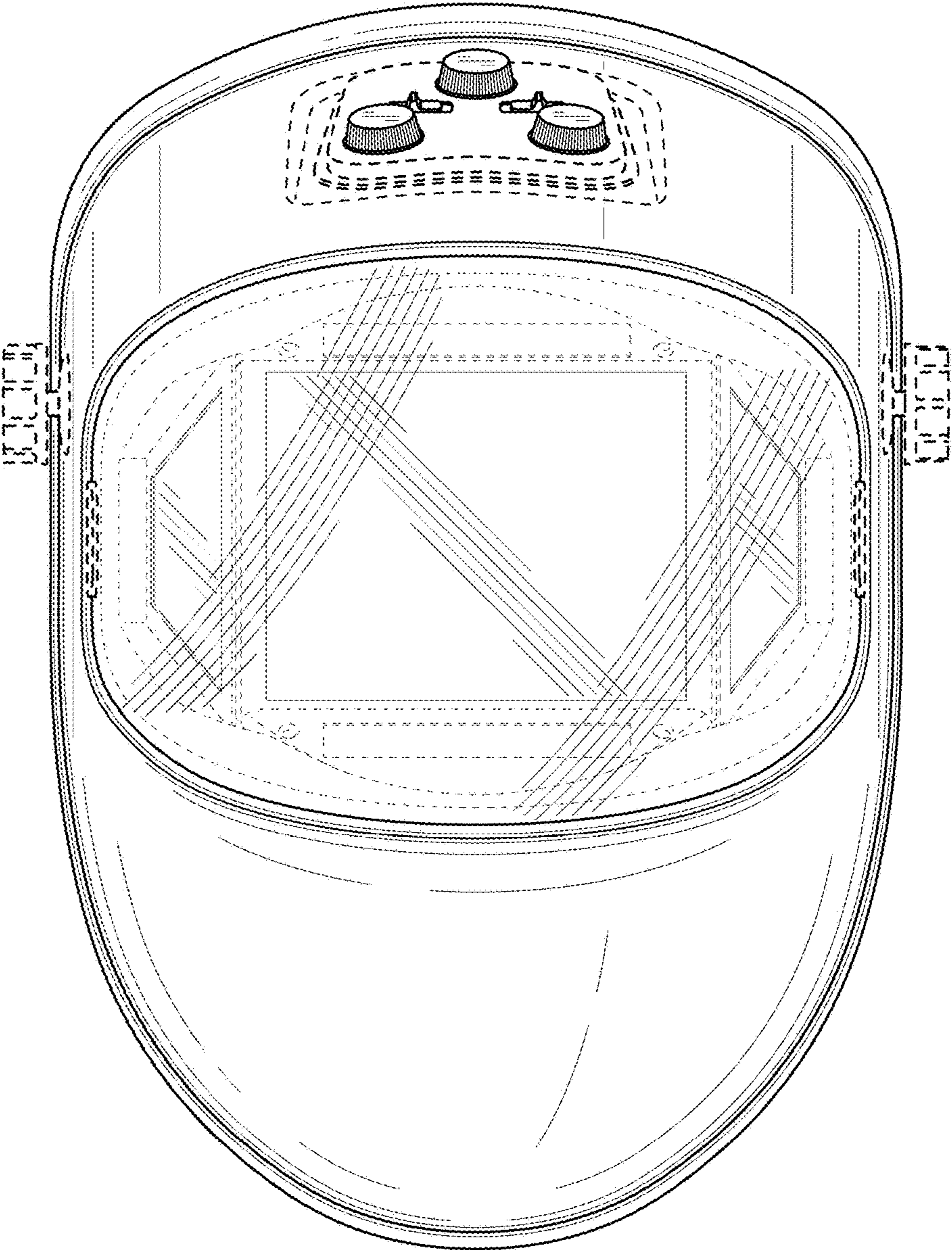


FIG. 4

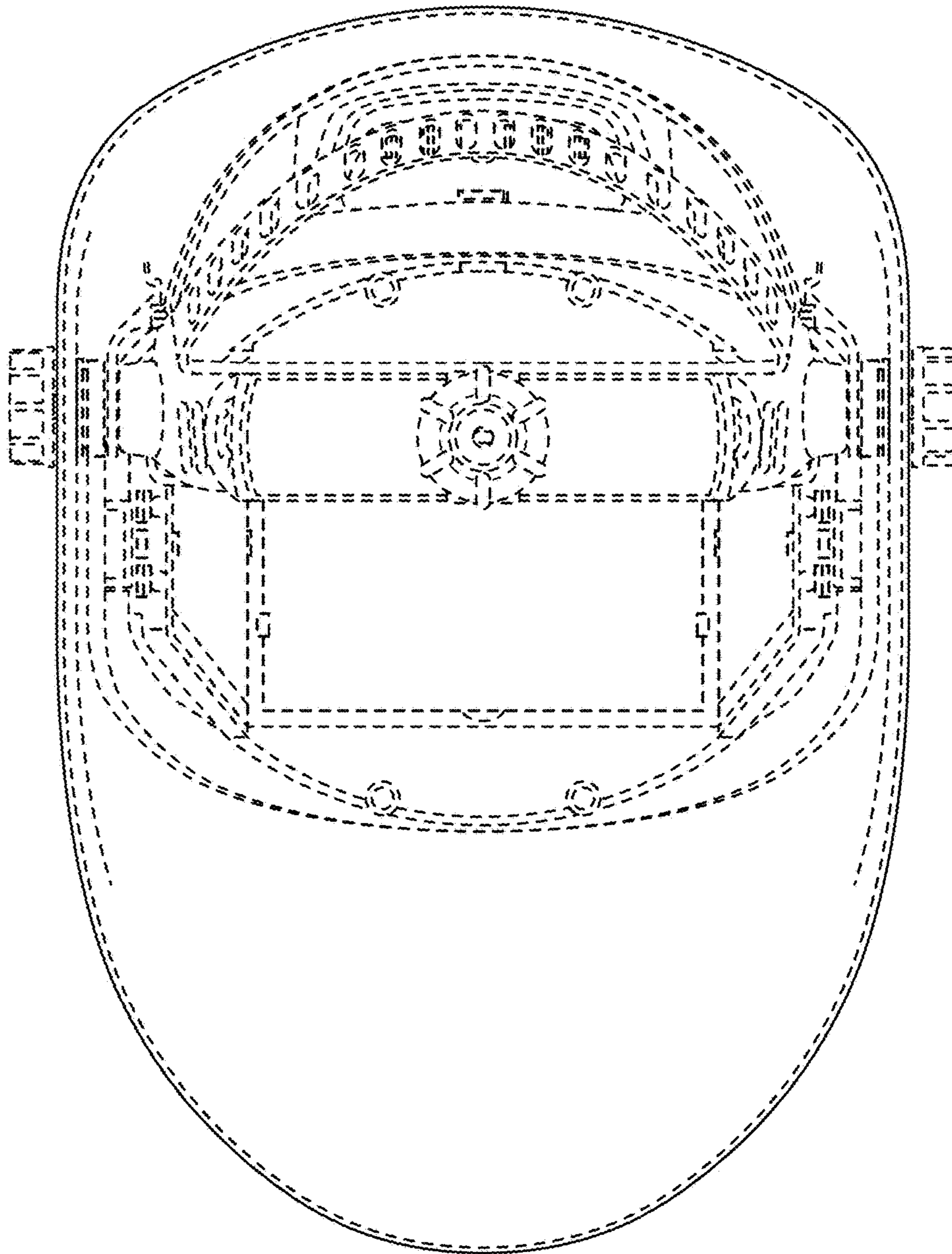


FIG. 5

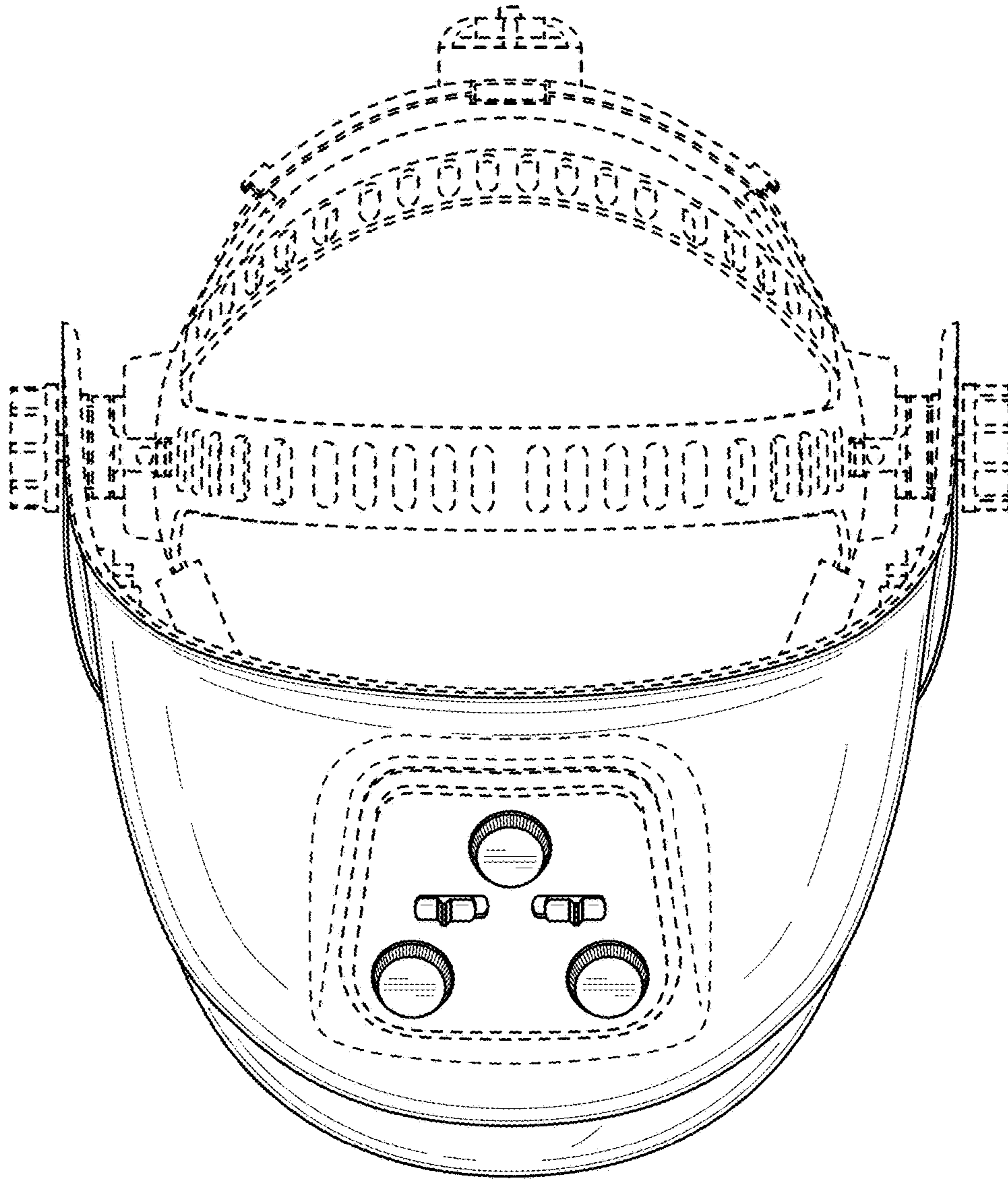


FIG. 6

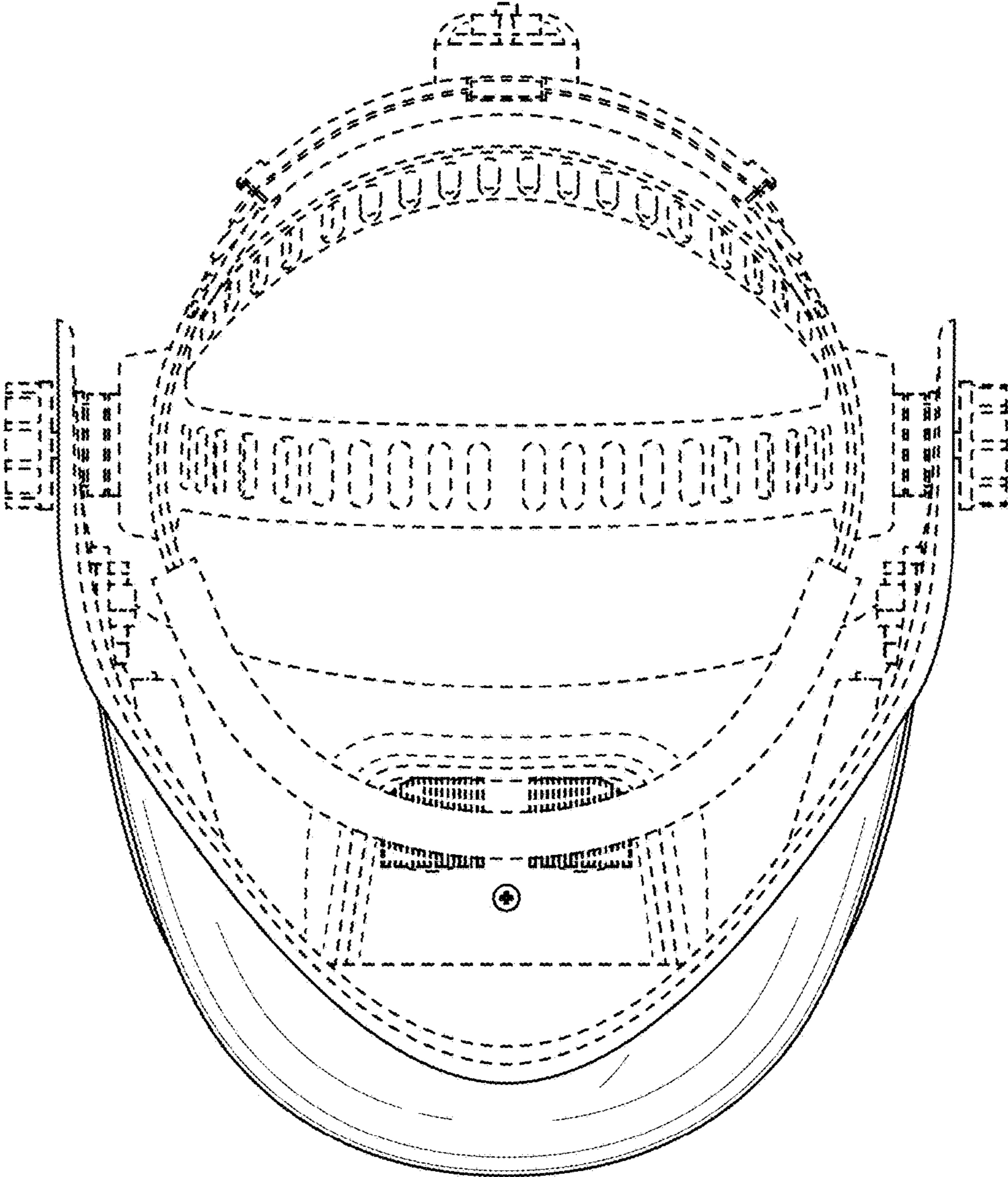


FIG. 7