



US00D834254S

(12) **United States Design Patent** (10) **Patent No.:** **US D834,254 S**
Khubani et al. (45) **Date of Patent:** **** Nov. 20, 2018**

- (54) **SHAVING DEVICE**
- (71) Applicants: **Anand Khubani**, Towaco, NJ (US);
David Stowers, Morristown, NJ (US)
- (72) Inventors: **Anand Khubani**, Towaco, NJ (US);
David Stowers, Morristown, NJ (US)
- (73) Assignee: **Idea Village Products Corporation**,
Wayne, NJ (US)
- (**) Term: **15 Years**
- (21) Appl. No.: **29/620,948**
- (22) Filed: **Sep. 1, 2017**
- (51) **LOC (11) Cl.** **28-03**
- (52) **U.S. Cl.**
USPC **D28/50**
- (58) **Field of Classification Search**
USPC D28/45-54
CPC B26B 19/14; B26B 19/141; B26B 19/143;
B26B 19/145; B26B 19/146; B26B
19/148; B26B 19/16; B26B 19/18
See application file for complete search history.

- D674,558 S * 1/2013 Ino D28/53
 - D675,377 S * 1/2013 Boulanger D28/46
 - D675,778 S * 2/2013 Vetu D28/50
 - D675,779 S * 2/2013 Vetu D28/50
- (Continued)

OTHER PUBLICATIONS

www.freakinreviews.com Finishing Touch Flawless Review, 2 pages,
downloaded May 29, 2018, posted on Mar. 8, 2017.*

Primary Examiner — Jennifer Rivard
(74) *Attorney, Agent, or Firm* — Dan DeLaRosa

(57) **CLAIM**
We claim the ornamental design for a shaving device, as
shown and described.

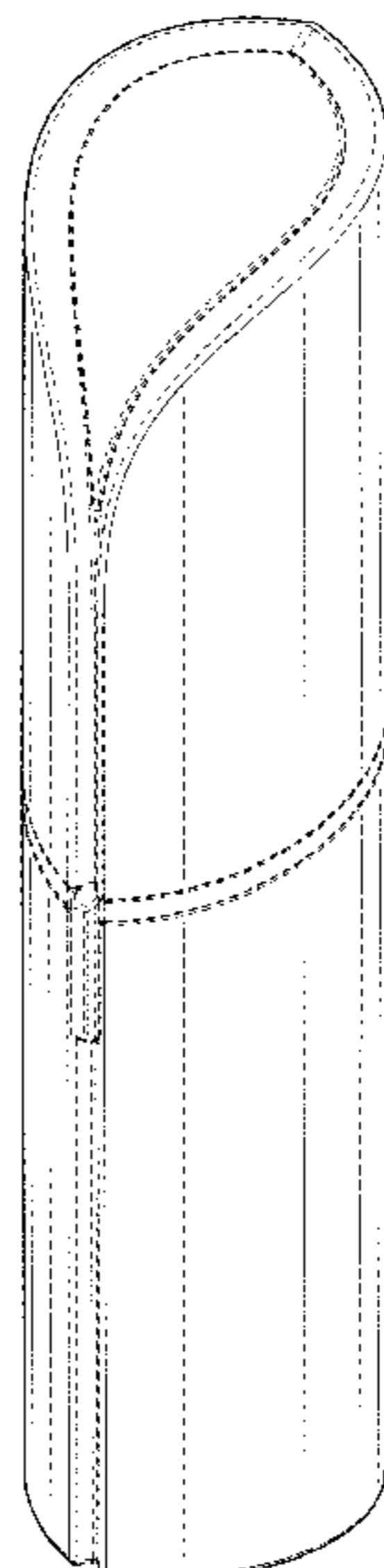
DESCRIPTION

FIG. 1 is a front perspective view of a shaving device shown with the cap of the present invention showing my new design;
 FIG. 2 is a front side elevation view thereof;
 FIG. 3 is a back side elevation view thereof;
 FIG. 4 is a side elevation view thereof;
 FIG. 5 is another side elevation view thereof;
 FIG. 6 is a top plan view thereof;
 FIG. 7 is a bottom plan view thereof;
 FIG. 8 is a perspective view of the shaving device shown without the cap;
 FIG. 9 is a front side view of FIG. 8;
 FIG. 10 is a back side view of FIG. 8;
 FIG. 11 is a side view of FIG. 8;
 FIG. 12 is another side view of FIG. 8;
 FIG. 13 is a top plan view of FIG. 8; and,
 FIG. 14 is a bottom plan view of FIG. 8.

The shaving device is shown with and without the cap for convenience of illustration.
 The broken lines and unshaded areas therein illustrate portions of the shaving device that form no part of the claimed design.

- (56) **References Cited**
- U.S. PATENT DOCUMENTS**
- 3,116,551 A * 1/1964 Anton B26B 19/141
30/346.51
- D255,166 S * 5/1980 Ayukawa D28/50
- D279,930 S * 7/1985 George D28/48
- D424,746 S * 5/2000 Lee D28/50
- 6,502,309 B2 * 1/2003 De Vries B26B 19/141
30/34.2
- D503,495 S * 3/2005 Maeda D28/53
- D634,067 S * 3/2011 Stowers D28/53
- D634,068 S * 3/2011 Stowers D28/53
- D637,759 S * 5/2011 Byun D28/50
- D652,990 S * 1/2012 Strickland D28/46
- D673,325 S * 12/2012 Martines D28/4
- D674,144 S * 1/2013 Yamamoto D28/46

1 Claim, 8 Drawing Sheets



(56)

References Cited

U.S. PATENT DOCUMENTS

D695,962 S *	12/2013	Prat-Pfister	D28/50
D696,461 S *	12/2013	Prat-Pfister	D28/53
D698,491 S *	1/2014	Ellison	D28/50
D701,346 S *	3/2014	Hefetz	D28/89
D728,159 S *	4/2015	Szymanski	D28/49
D758,015 S *	5/2016	Prat-Pfister	D28/50
D758,017 S *	5/2016	Smith	D28/50
D758,664 S *	6/2016	Van Maanen	D28/51
D777,375 S *	1/2017	Frankel	D28/50
D785,871 S *	5/2017	Staab	D28/89
D797,377 S *	9/2017	Reggiani	D28/89
D812,301 S *	3/2018	Yan	D28/50
D818,646 S *	5/2018	Szymanski	D28/51
2010/0095531 A1 *	4/2010	Akkerman	B21D 53/64 30/43.6
2018/0071927 A1 *	3/2018	Kleine Doepke	B26B 19/143

* cited by examiner

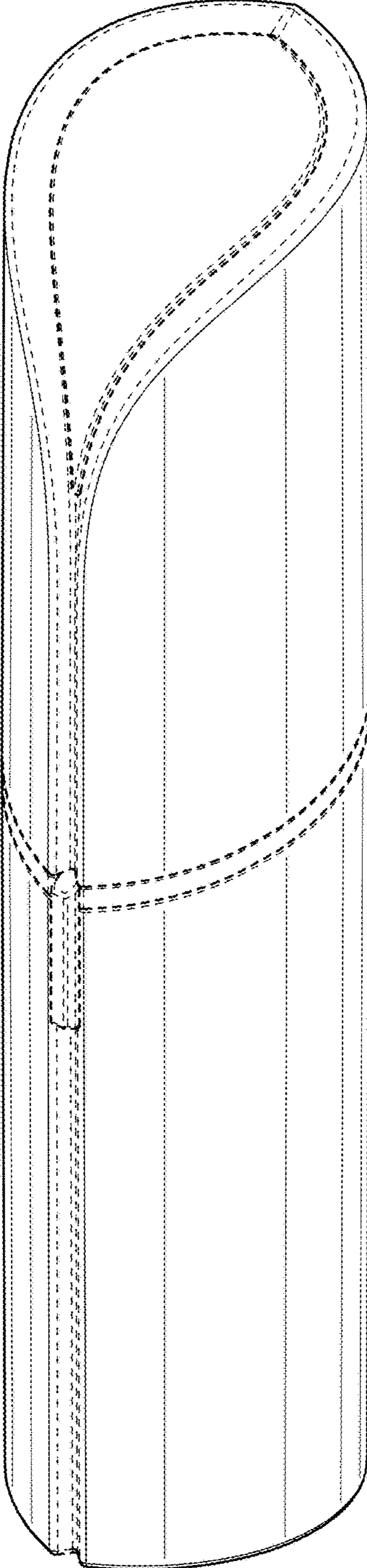


FIG. 1

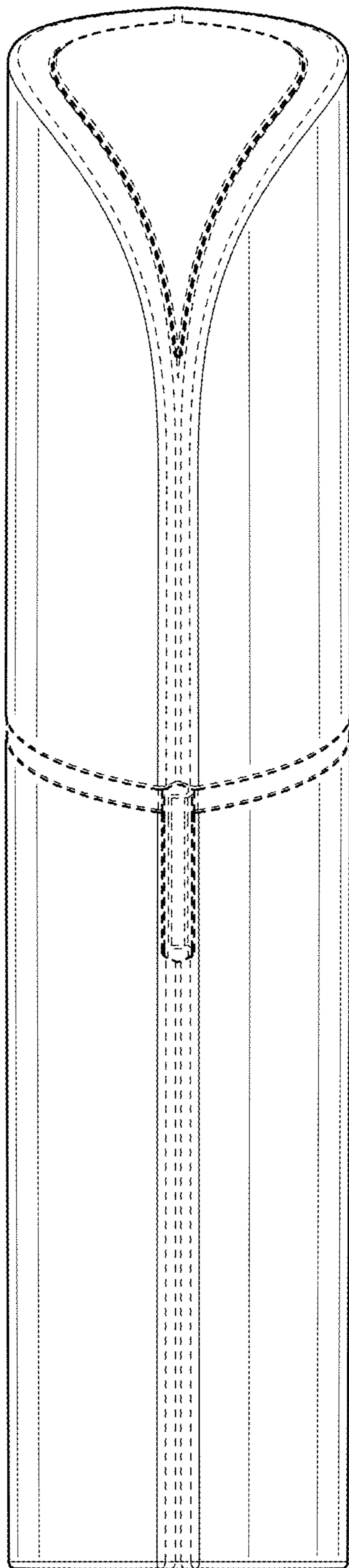


FIG. 2

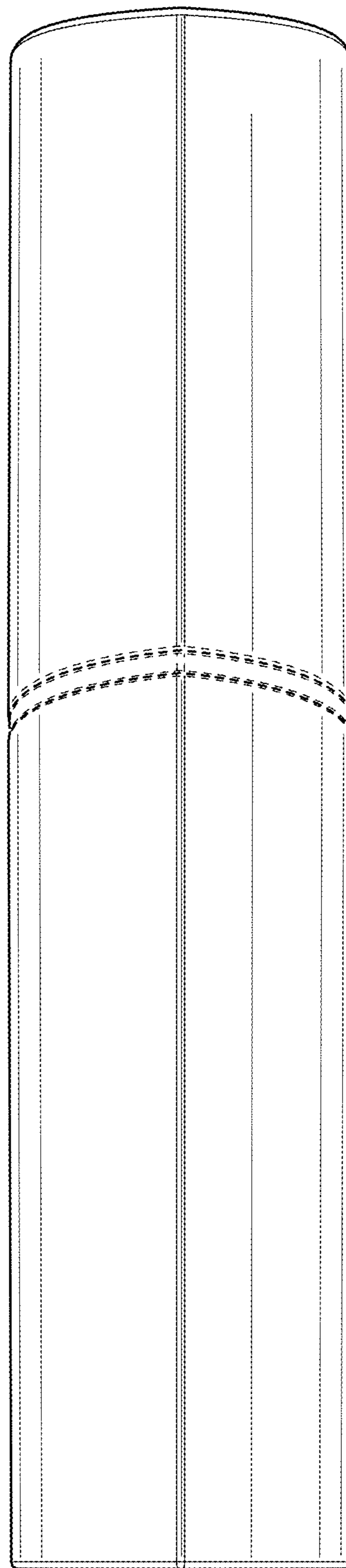


FIG. 3

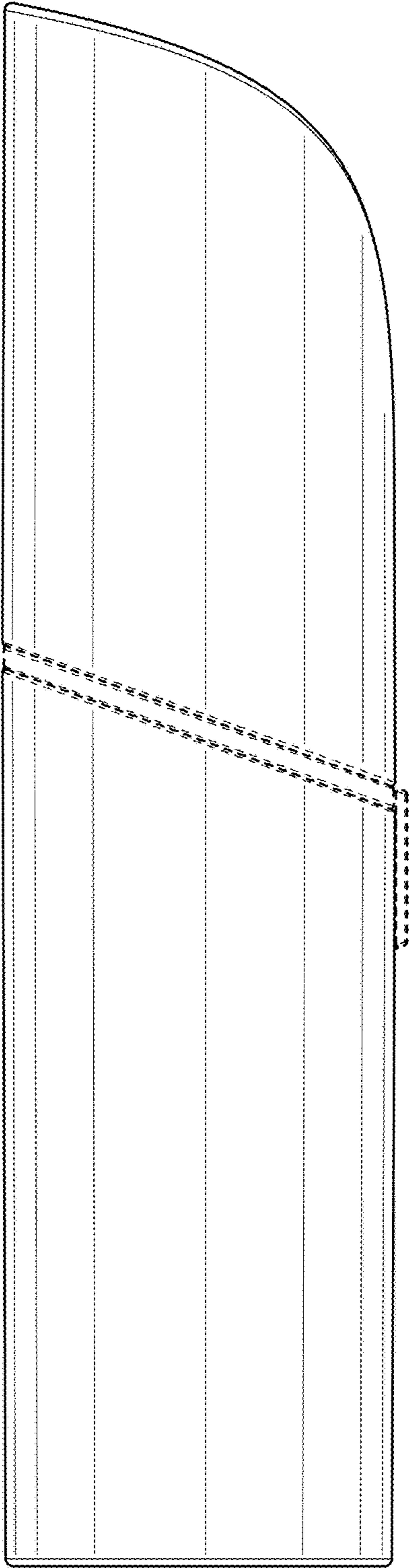


FIG. 4

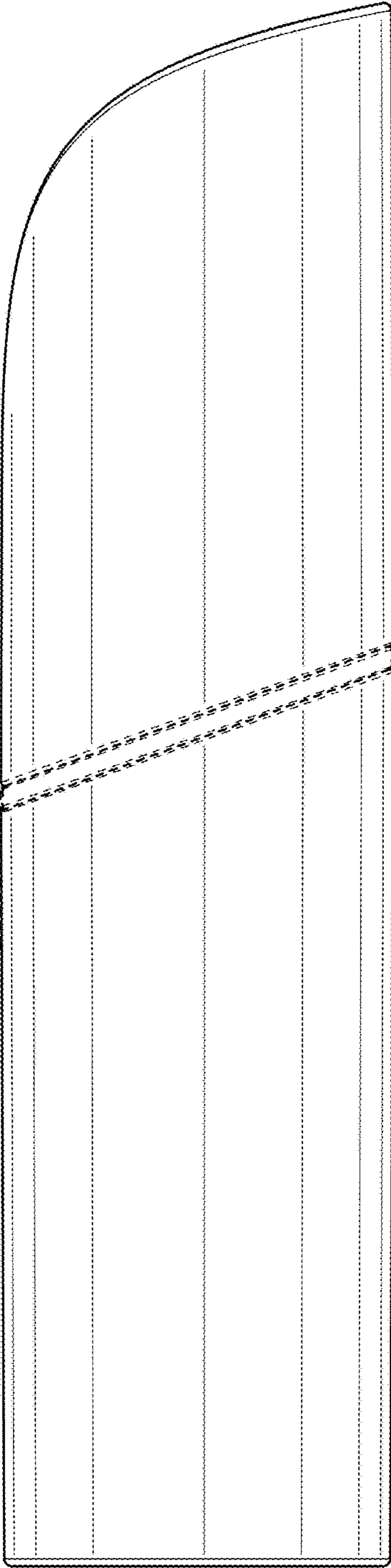


FIG. 5

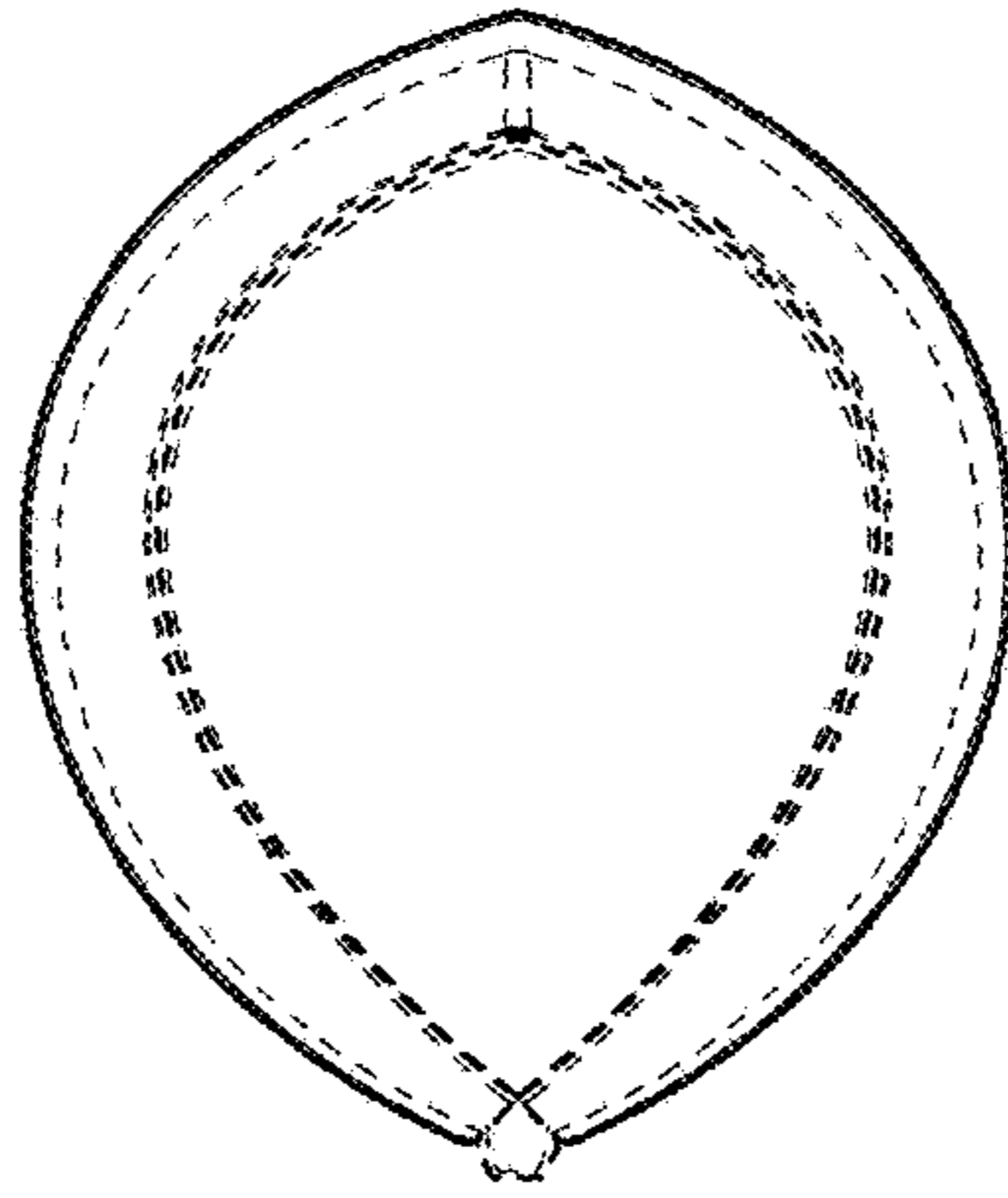


FIG. 6

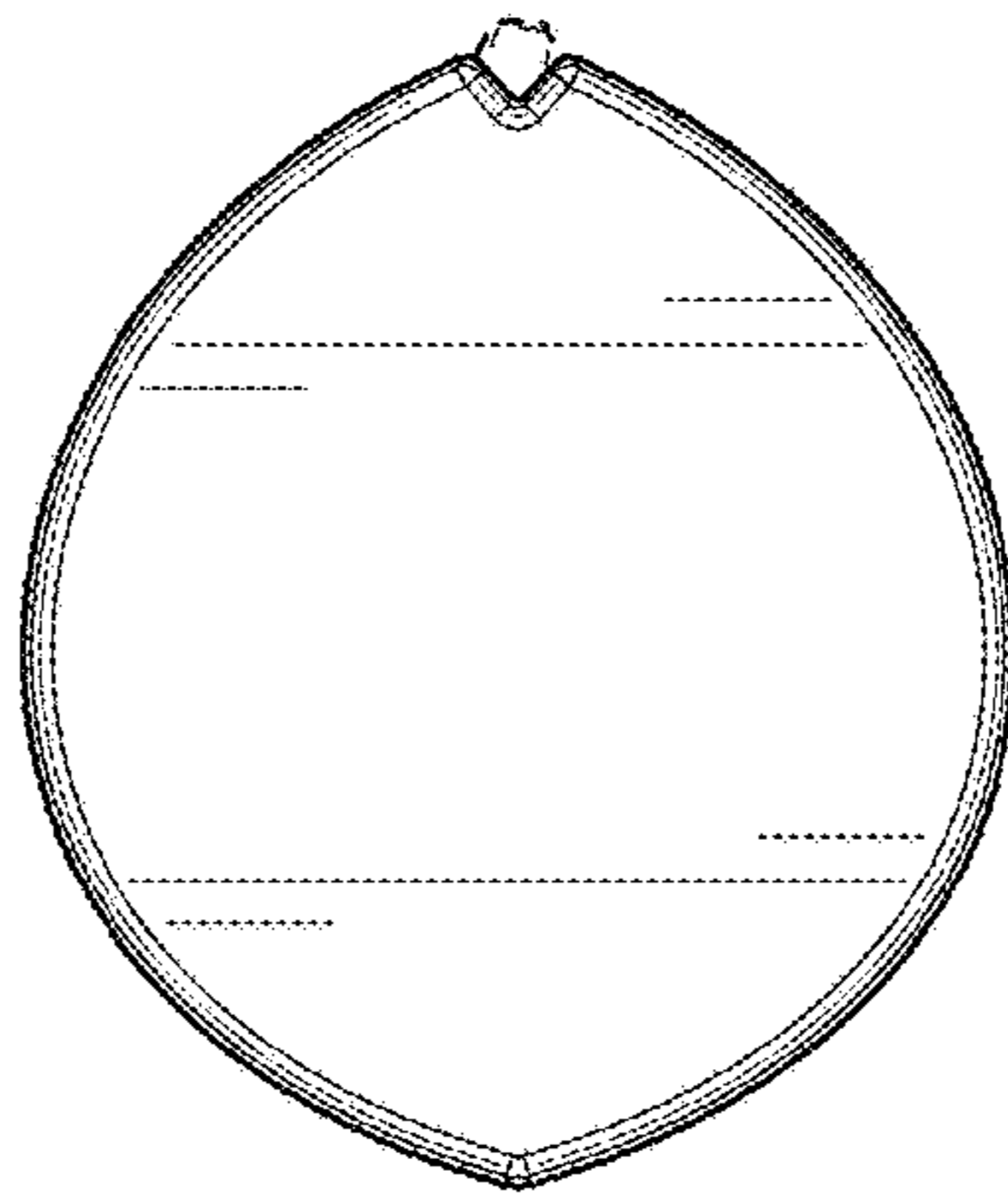


FIG. 7

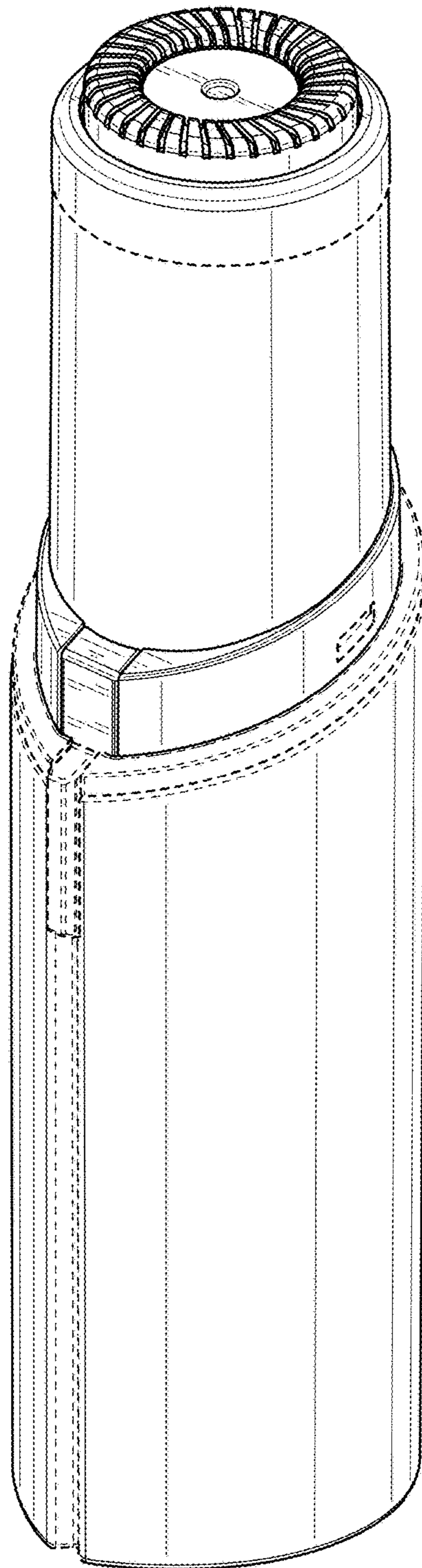


FIG. 8

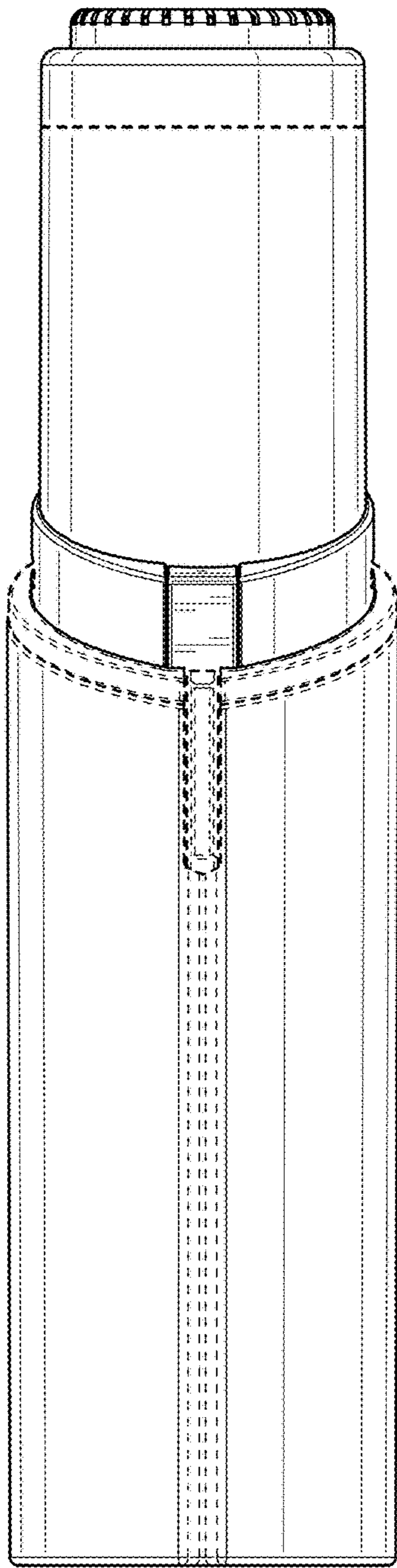


FIG. 9

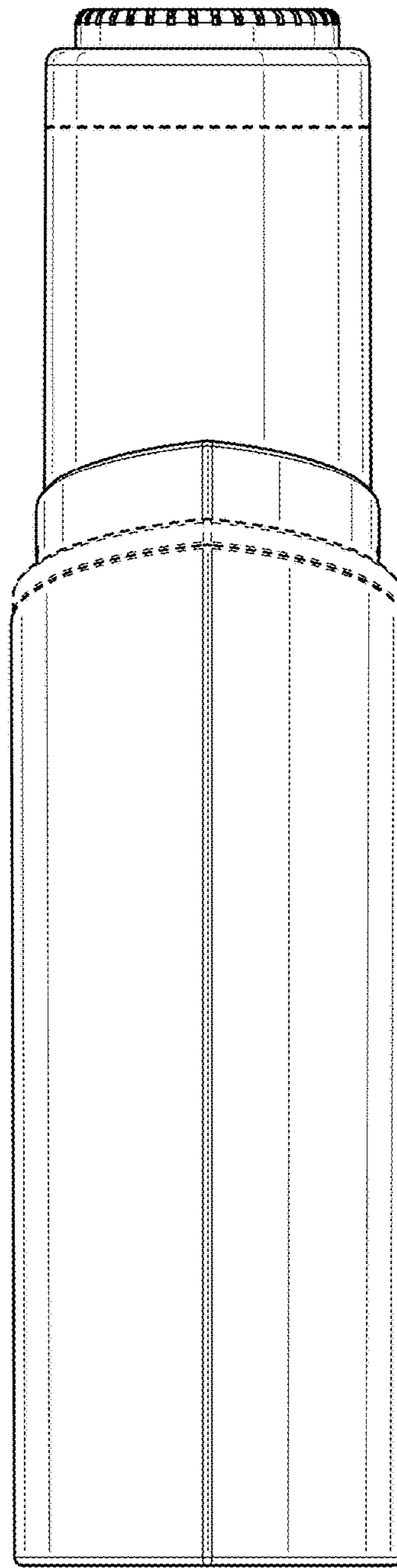


FIG. 10

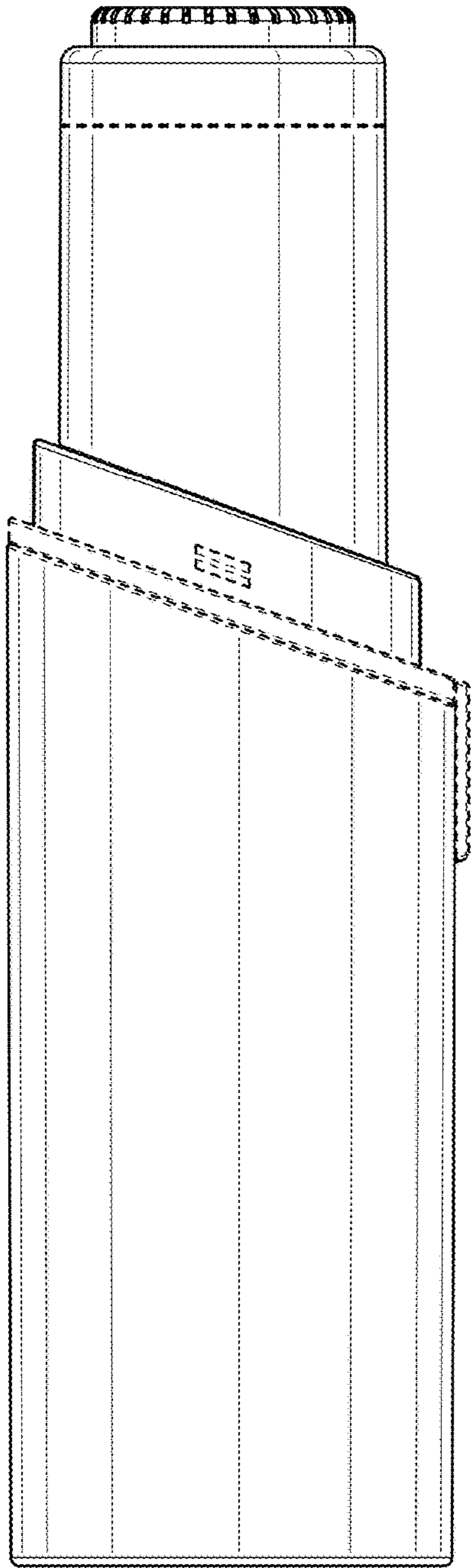


FIG. 11

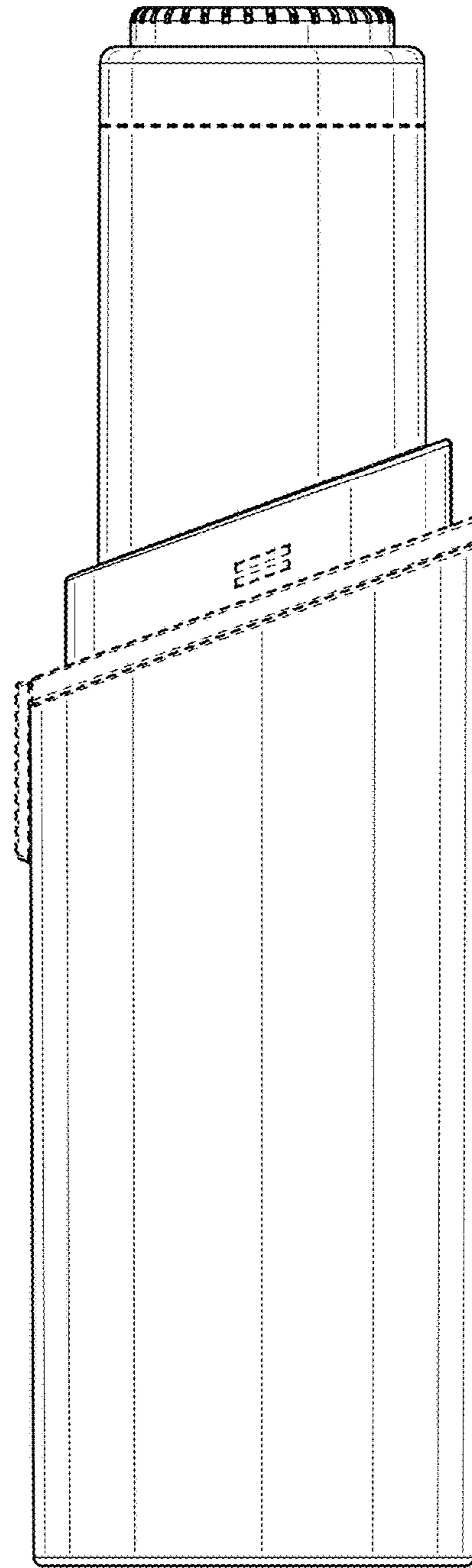


FIG. 12

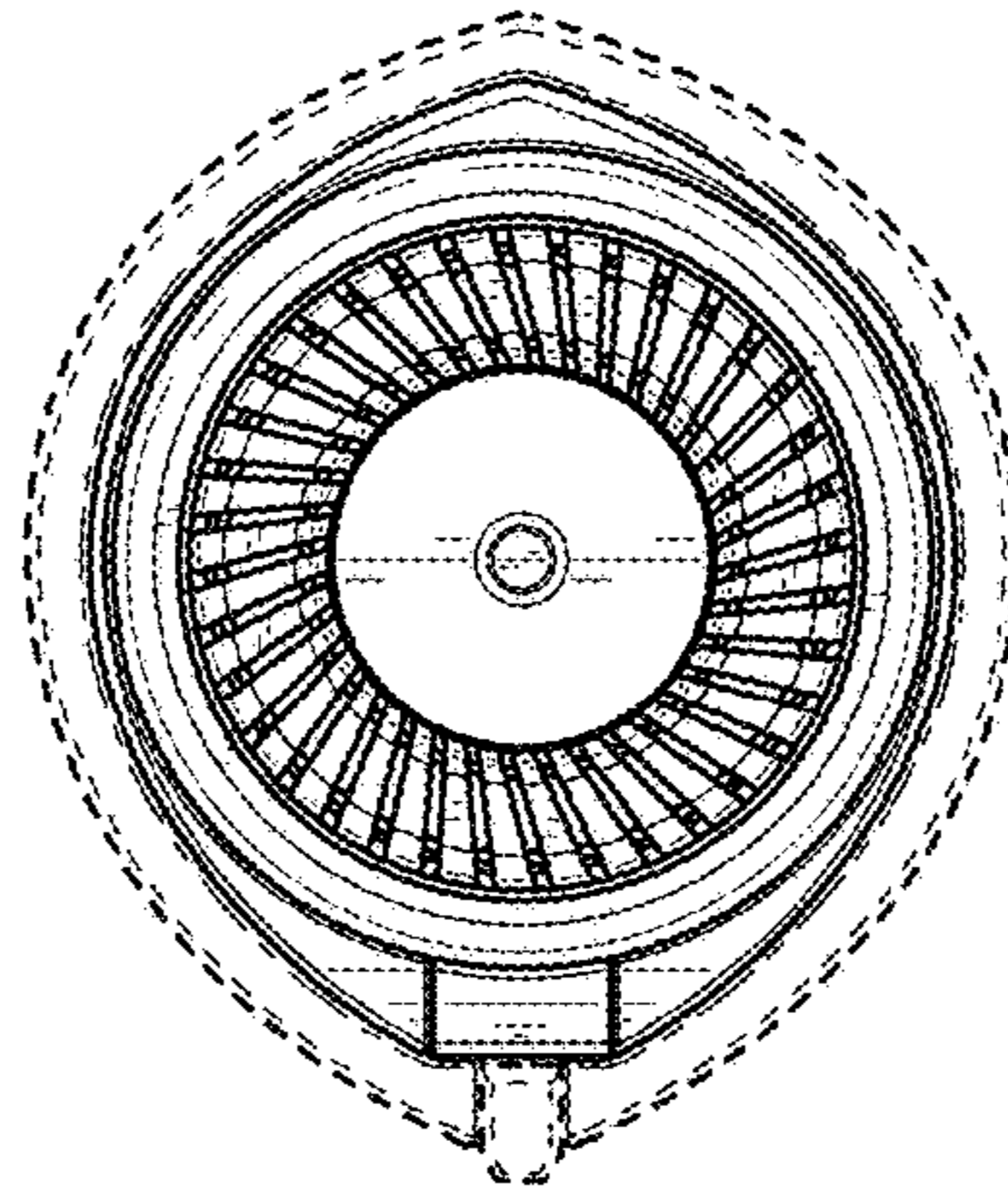


FIG. 13

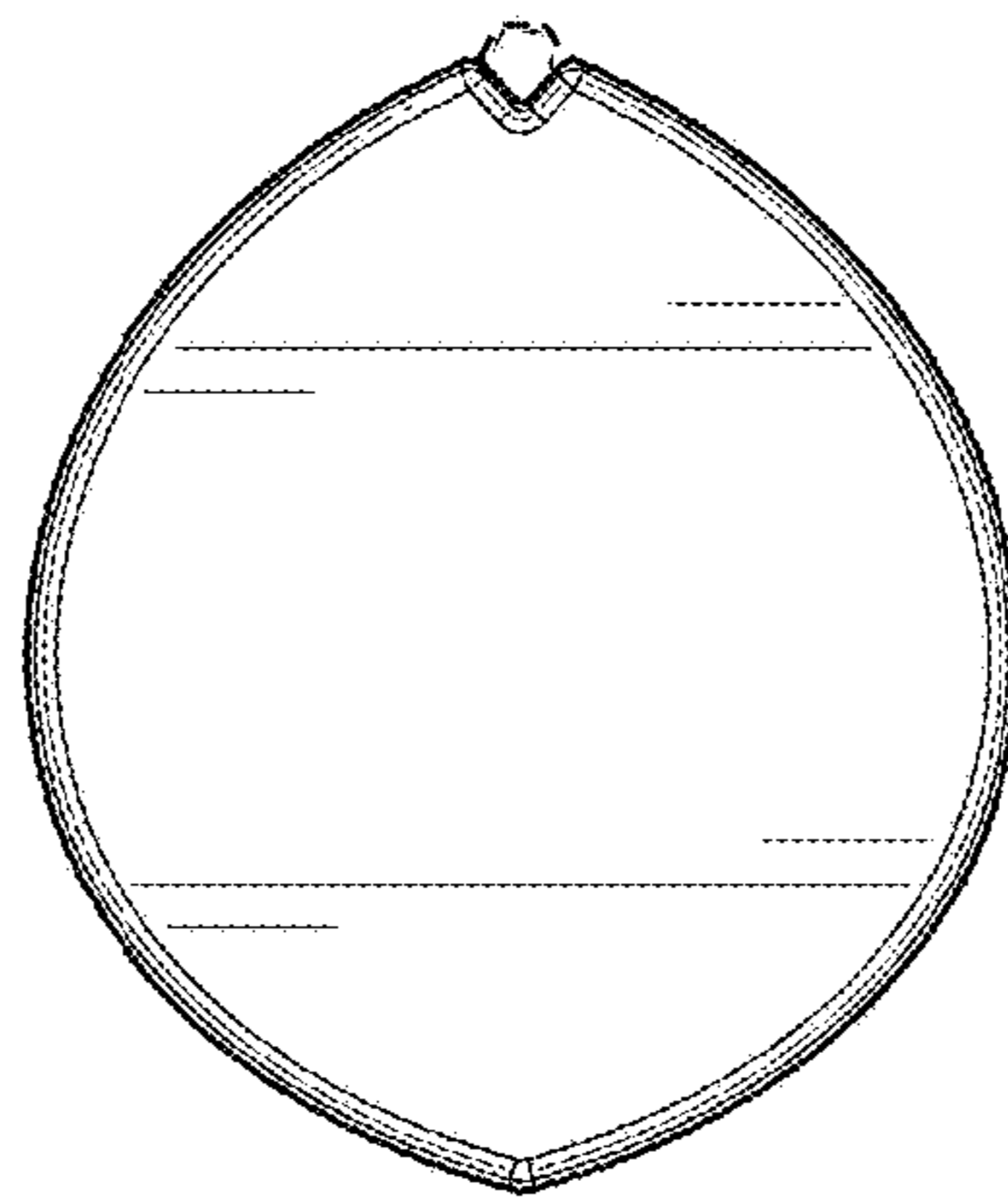


FIG. 14