



US00D834253S

(12) **United States Design Patent** (10) **Patent No.:** **US D834,253 S**
Khubani et al. (45) **Date of Patent:** **** Nov. 20, 2018**

(54) **SHAVING DEVICE**
(71) Applicants: **Anand Khubani**, Morristown, NJ (US);
David Stowers, Morristown, NJ (US)
(72) Inventors: **Anand Khubani**, Morristown, NJ (US);
David Stowers, Morristown, NJ (US)
(73) Assignee: **IdeaVillage Products Corporation**,
Wayne, NJ (US)
(**) Term: **15 Years**
(21) Appl. No.: **29/620,946**
(22) Filed: **Sep. 1, 2017**
(51) **LOC (11) Cl.** **28-03**
(52) **U.S. Cl.**
USPC **D28/50**
(58) **Field of Classification Search**
USPC D28/45-54
CPC B26B 19/14; B26B 19/141; B26B 19/143;
B26B 19/145; B26B 19/146; B26B
19/148; B26B 19/16; B26B 19/18
See application file for complete search history.

(56) **References Cited**
U.S. PATENT DOCUMENTS
3,116,551 A * 1/1964 Anton B26B 19/141
30/346.51
D255,166 S * 5/1980 Ayukawa D28/50
D279,930 S * 7/1985 George D28/48
D424,746 S * 5/2000 Lee D28/50
6,502,309 B2 * 1/2003 De Vries B26B 19/141
30/34.2
D503,495 S * 3/2005 Maeda D28/53
D634,067 S * 3/2011 Stowers D28/53
D634,068 S * 3/2011 Stowers D28/53
D637,759 S * 5/2011 Byun D28/50
D652,990 S * 1/2012 Strickland D28/46
D673,325 S * 12/2012 Martines D28/4
D674,144 S * 1/2013 Yamamoto D28/46
D674,558 S * 1/2013 Ino D28/53

D675,377 S * 1/2013 Boulanger D28/46
D675,778 S * 2/2013 Vetu D28/50
D675,779 S * 2/2013 Vetu D28/50
D695,962 S * 12/2013 Prat-Pfister D28/50
D696,461 S * 12/2013 Prat-Pfister D28/53
D698,491 S * 1/2014 Ellison D28/50
(Continued)

OTHER PUBLICATIONS

www.freakinreviews.com Finishing Touch Flawless Review, 2 pages,
downloaded May 29, 2018, posted on Mar. 8, 2017.*

Primary Examiner — Jennifer Rivard
(74) *Attorney, Agent, or Firm* — Dan DeLaRosa

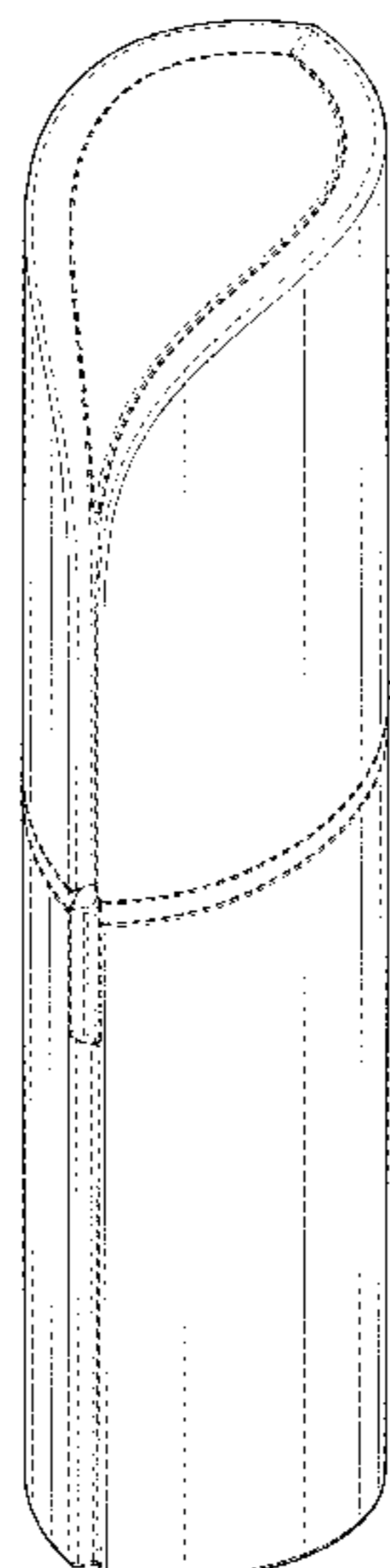
(57) **CLAIM**

We claim the ornamental design for a shaving device, as
shown and described.

DESCRIPTION

FIG. 1 is a front perspective view of a shaving device shown
with the cap of the present invention showing my new
design;
FIG. 2 is a front side elevation view thereof;
FIG. 3 is a back side elevation view thereof;
FIG. 4 is a side elevation view thereof;
FIG. 5 is another side elevation view thereof;
FIG. 6 is a top plan view thereof;
FIG. 7 is a bottom plan view thereof;
FIG. 8 is a perspective view of the shaving device shown
without the cap;
FIG. 9 is a front side view of FIG. 8;
FIG. 10 is a back side view of FIG. 8;
FIG. 11 is a side view of FIG. 8;
FIG. 12 is another side view of FIG. 8;
FIG. 13 is a top plan view of FIG. 8; and,
FIG. 14 is a bottom plan view of FIG. 8.
The shaving device is shown with and without the cap for
convenience of illustration.

1 Claim, 8 Drawing Sheets



(56)

References Cited

U.S. PATENT DOCUMENTS

D701,346	S *	3/2014	Hefetz	D28/89
D728,159	S *	4/2015	Szymanski	D28/49
D758,015	S *	5/2016	Prat-Pfister	D28/50
D758,017	S *	5/2016	Smith	D28/50
D758,664	S *	6/2016	Van Maanen	D28/51
D777,375	S *	1/2017	Frankel	D28/50
D785,871	S *	5/2017	Staab	D28/89
D797,377	S *	9/2017	Reggiani	D28/89
D812,301	S *	3/2018	Yan	D28/50
D818,646	S *	5/2018	Szymanski	D28/51
2010/0095531	A1 *	4/2010	Akkerman	B21D 53/64 30/43.6
2018/0071927	A1 *	3/2018	Kleine Doepke	B26B 19/143

* cited by examiner

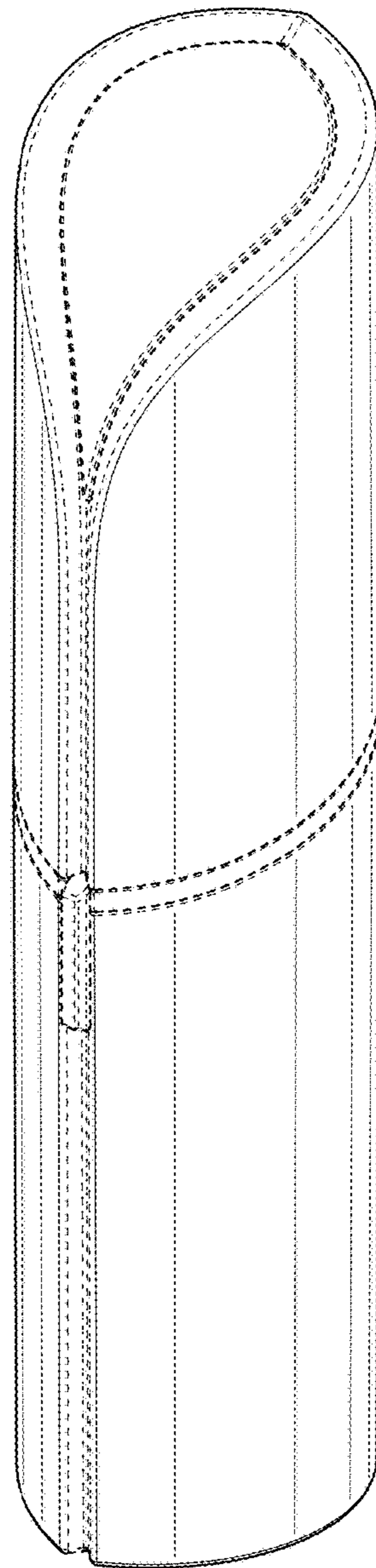


FIG. 1

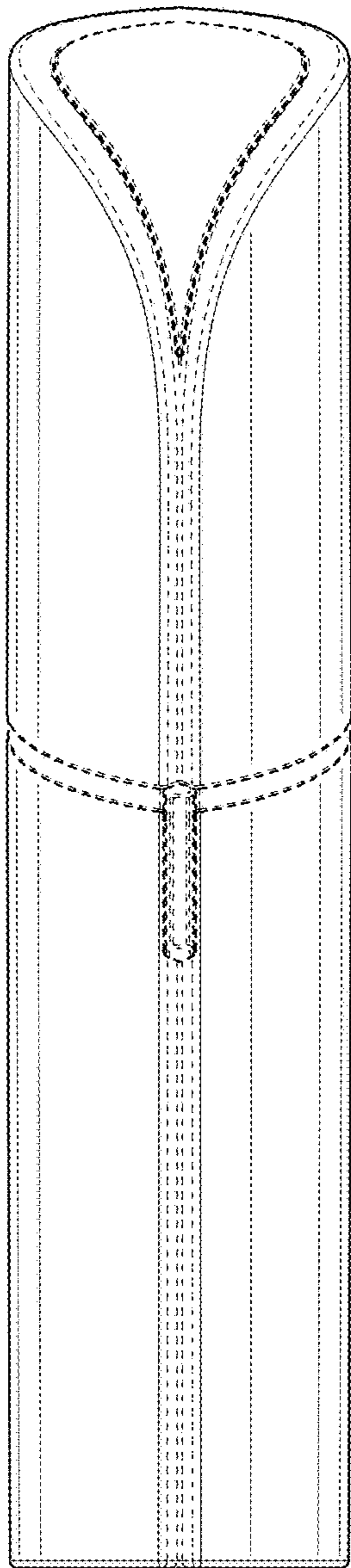


FIG. 2

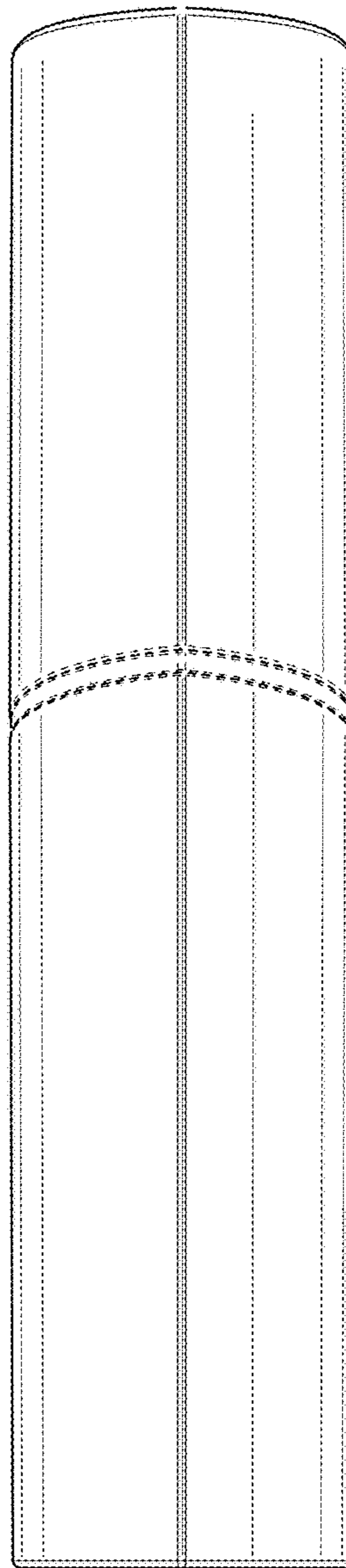


FIG. 3

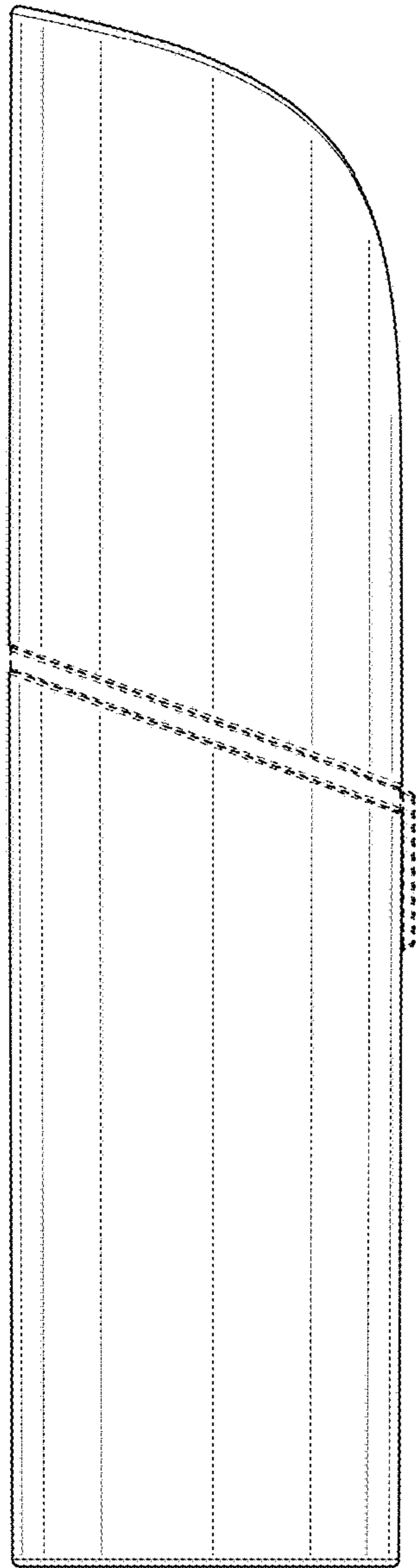


FIG. 4

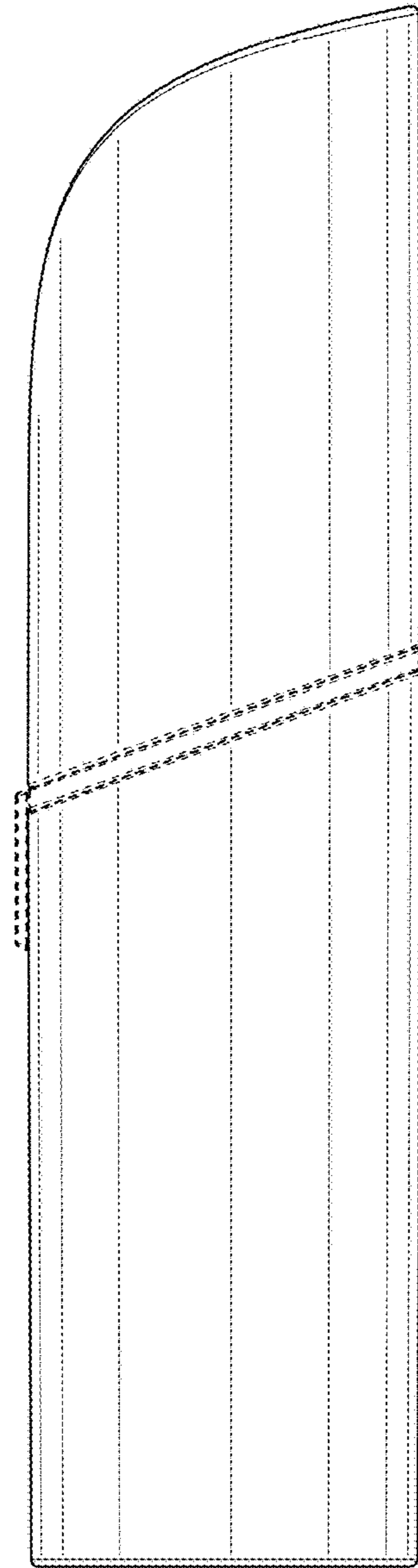


FIG. 5

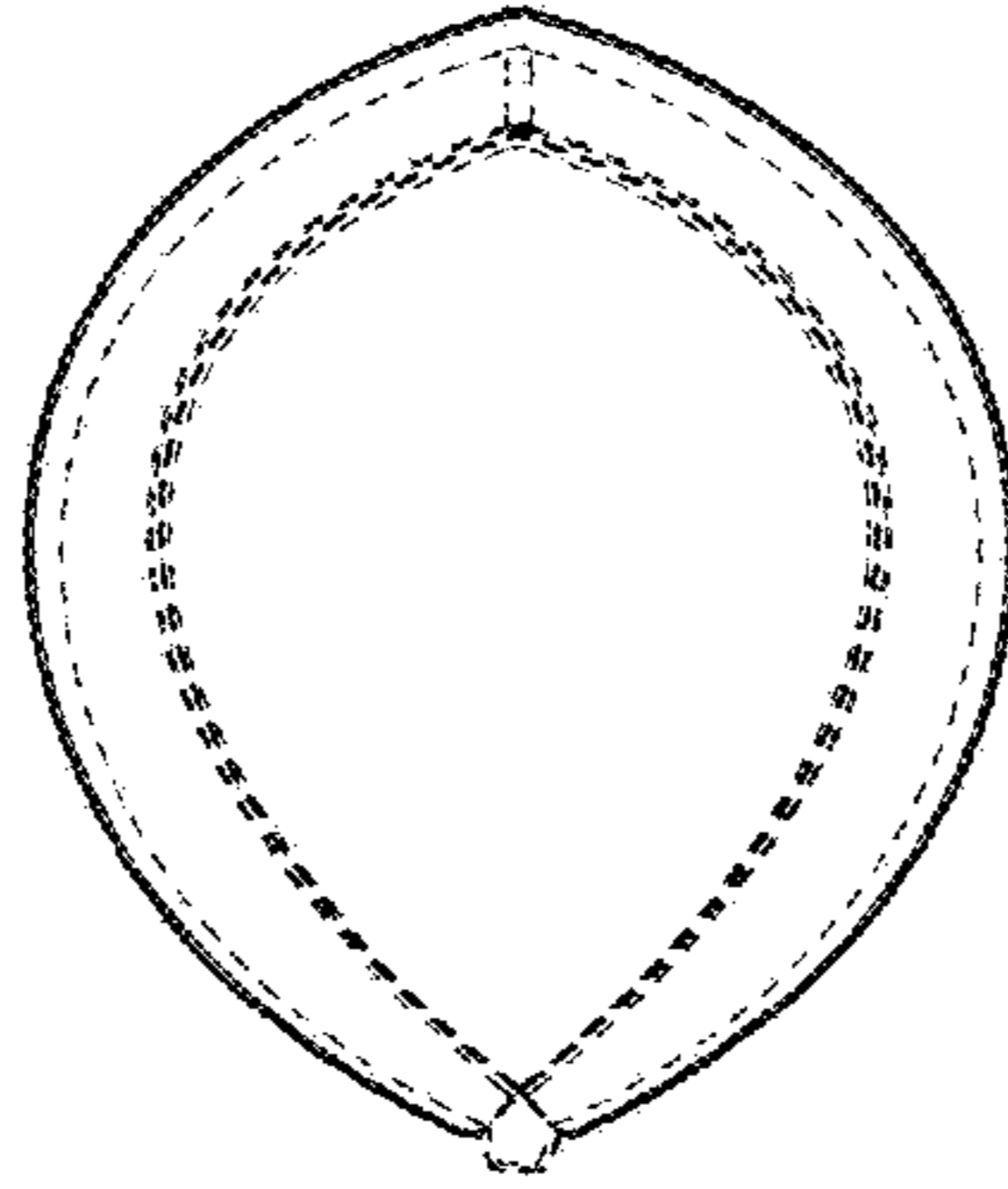


FIG. 6

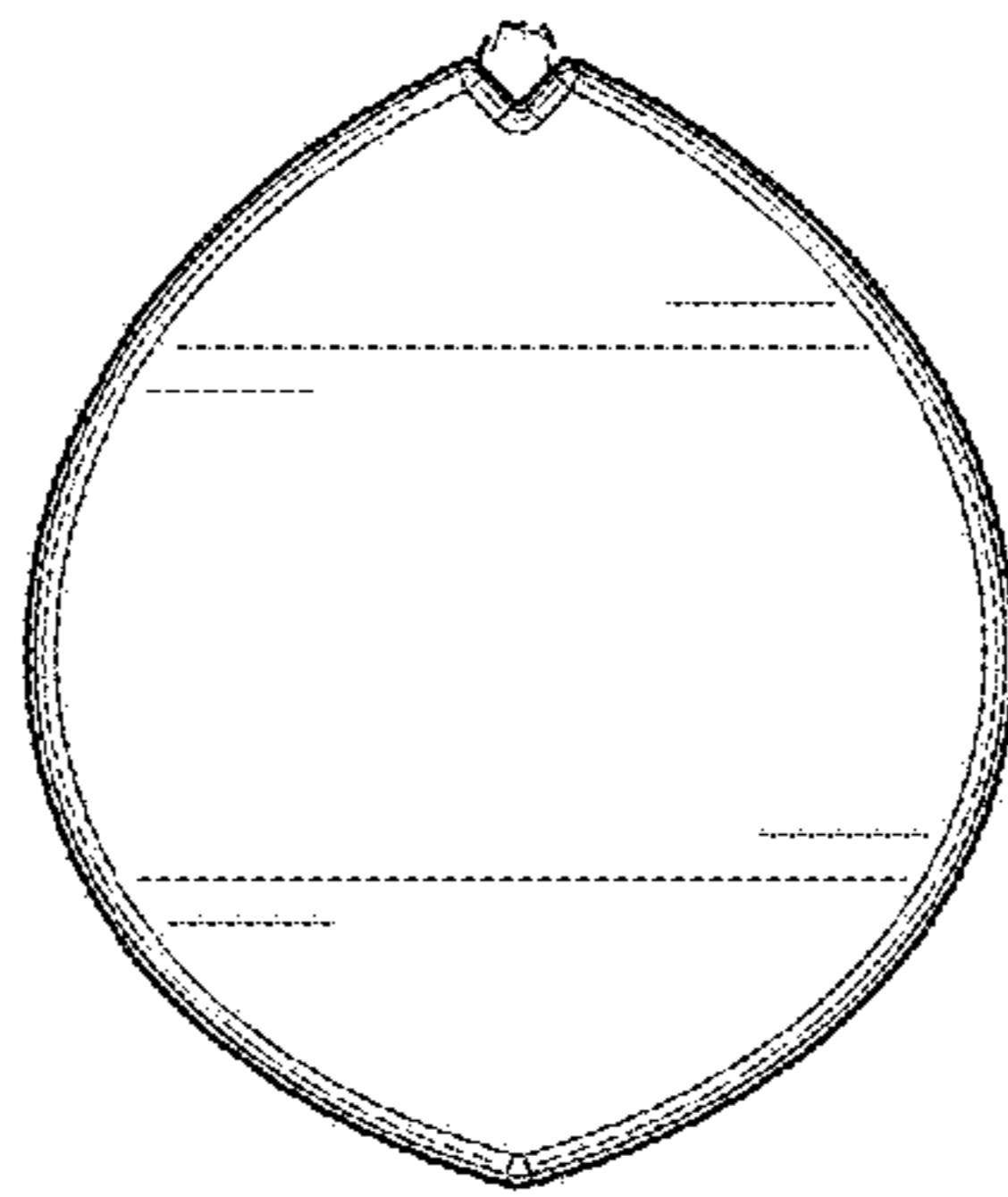


FIG. 7

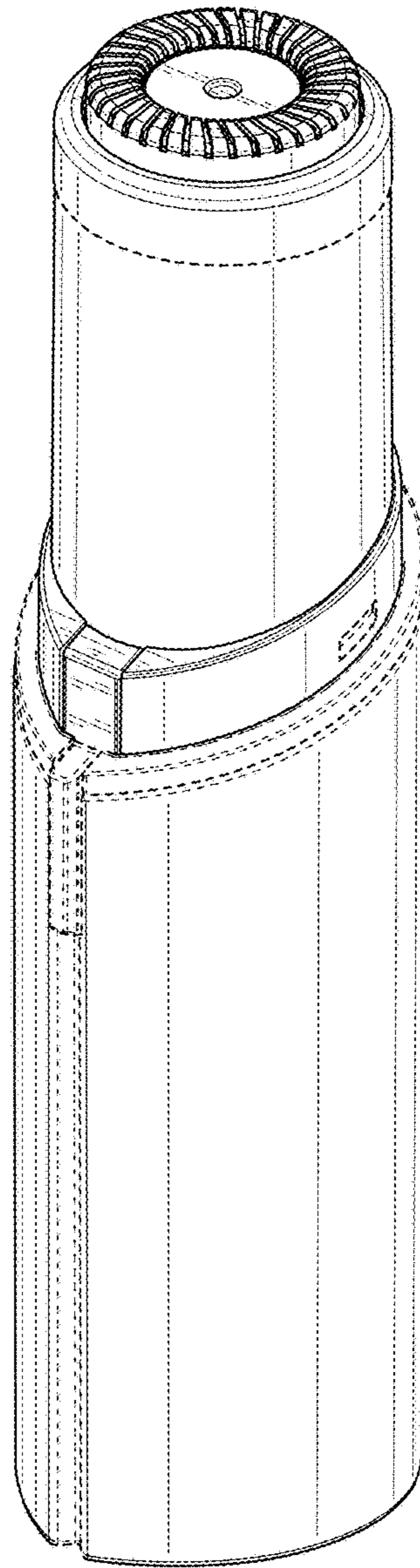


FIG. 8

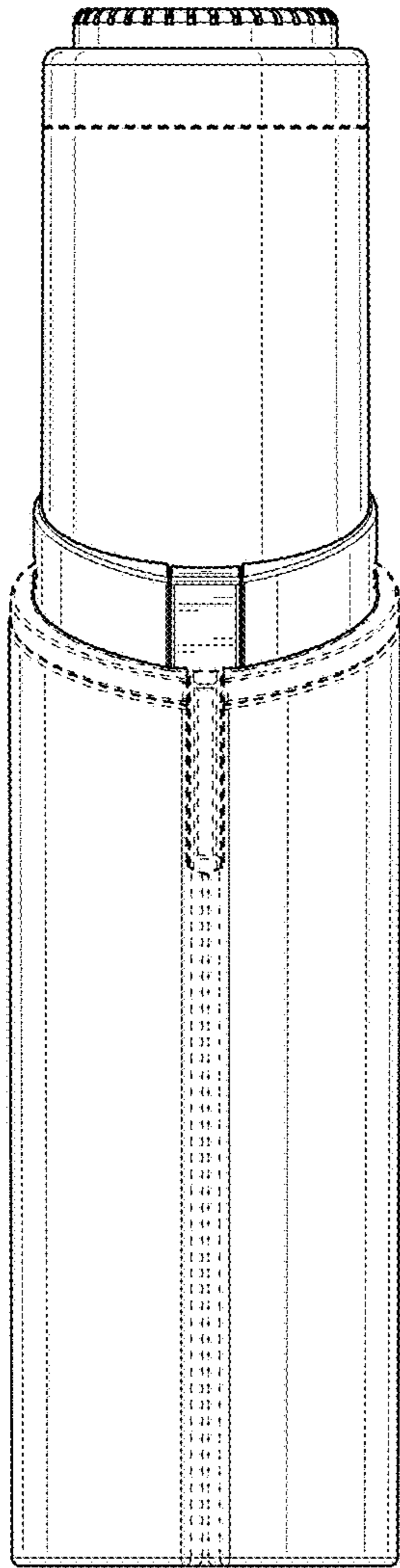


FIG. 9

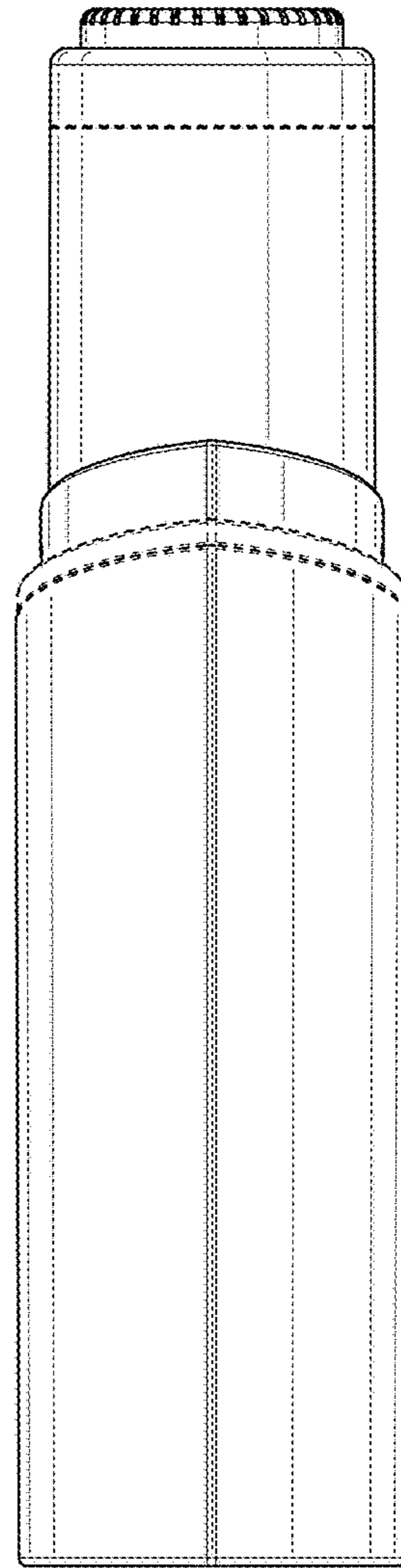


FIG. 10

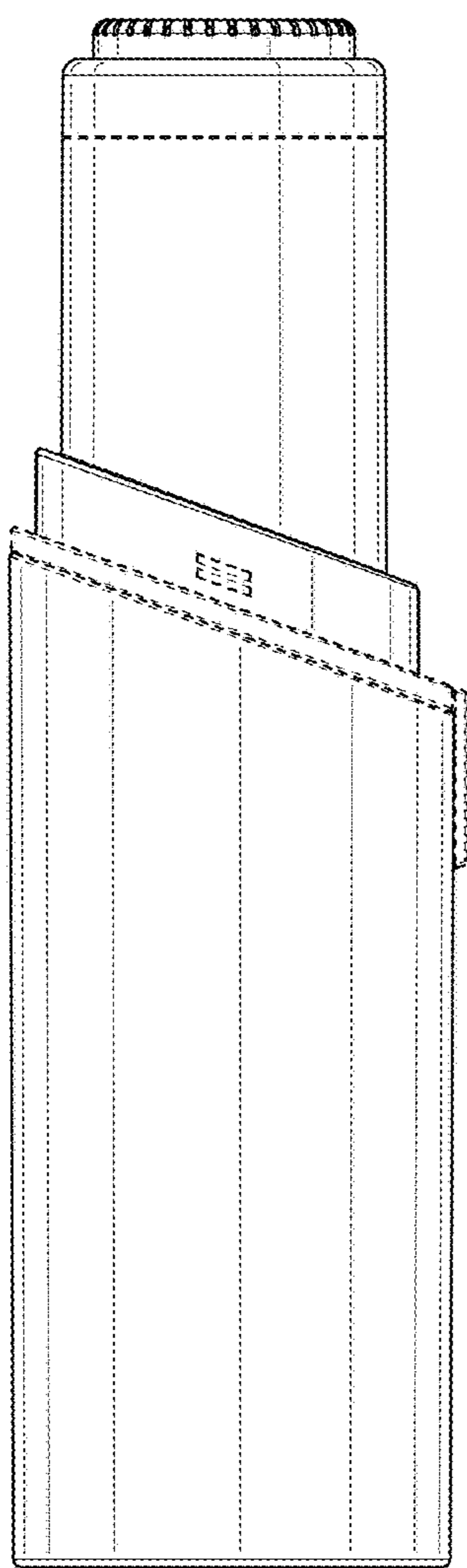


FIG. 11

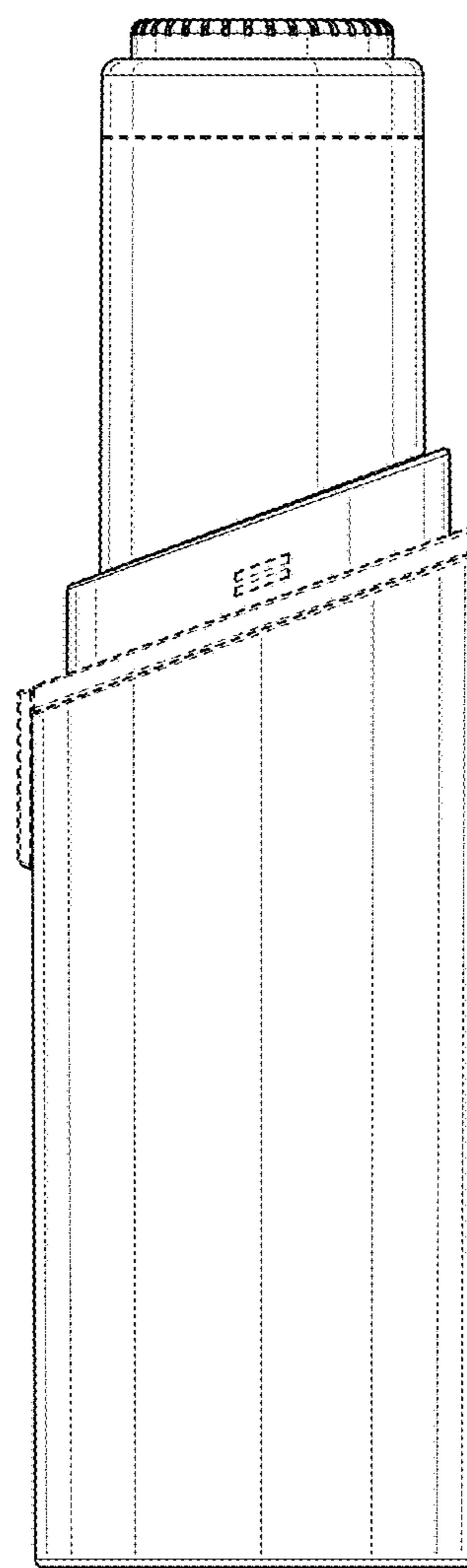


FIG. 12

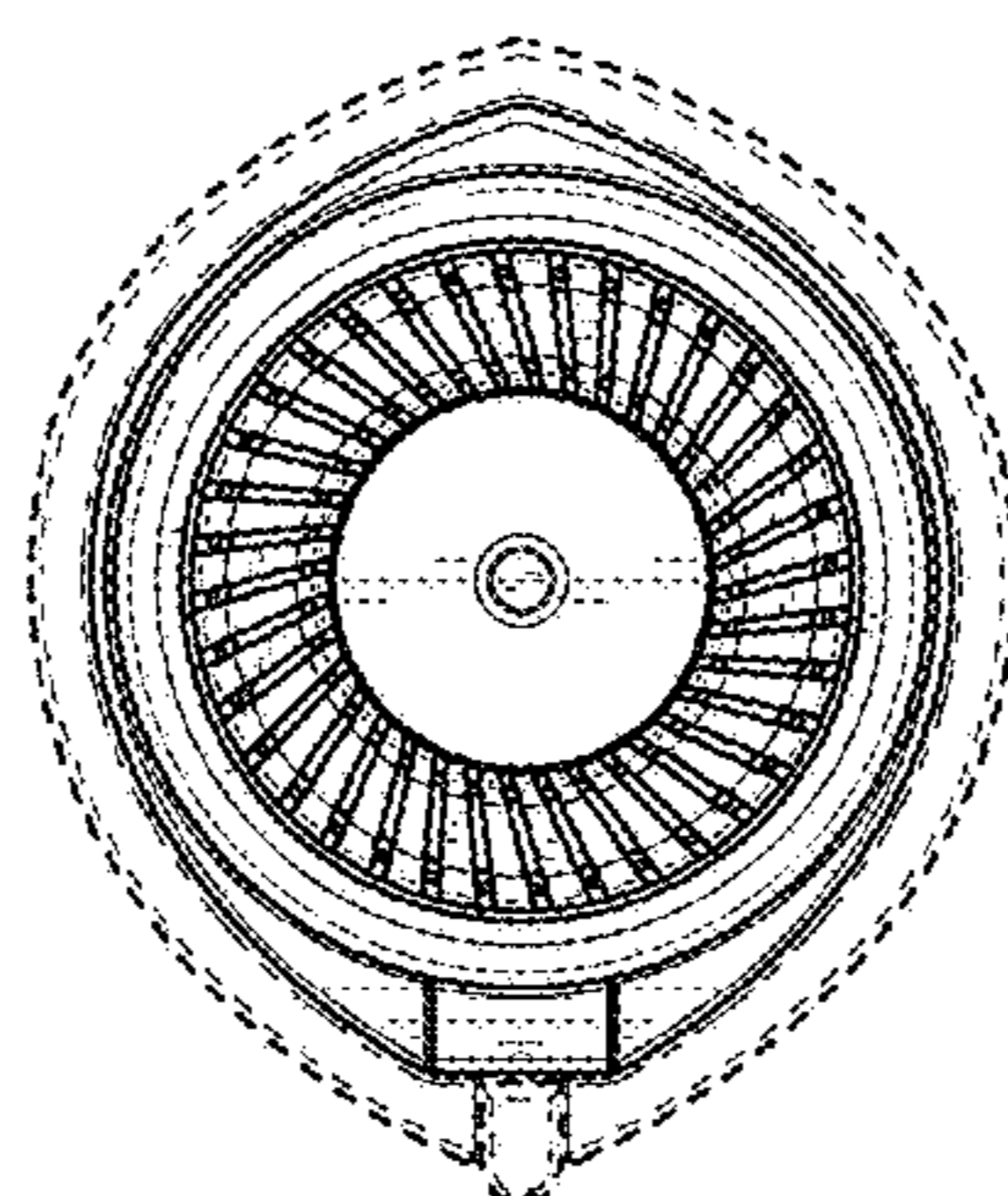


FIG. 13

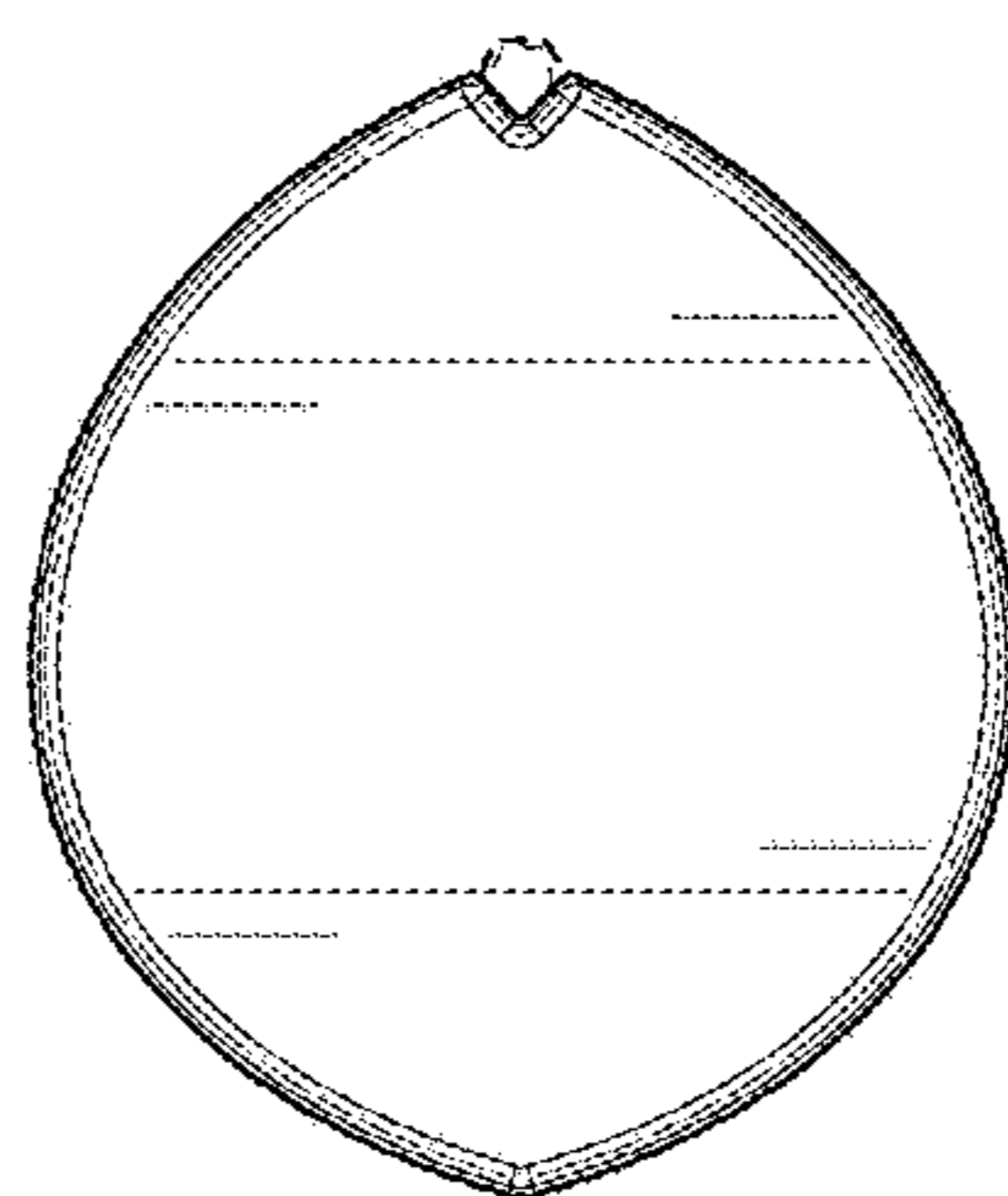


FIG. 14

UNITED STATES PATENT AND TRADEMARK OFFICE
CERTIFICATE OF CORRECTION

PATENT NO. : D834,253 S
APPLICATION NO. : 29/620946
DATED : November 20, 2018
INVENTOR(S) : Khubani et al.

Page 1 of 10

It is certified that error appears in the above-identified patent and that said Letters Patent is hereby corrected as shown below:

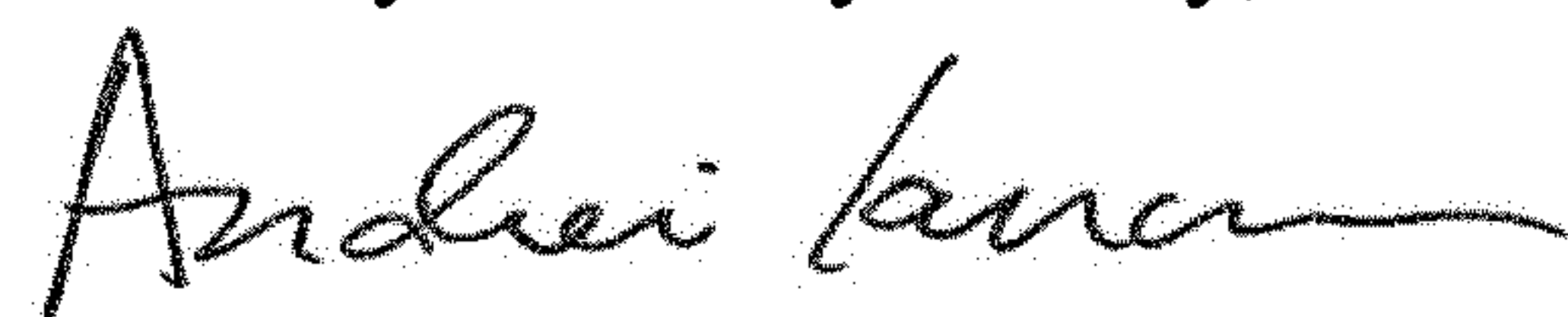
On the Title Page

Delete the title page and substitute therefore with the attached title page consisting of the corrected illustrative figure(s).

In the Drawings

Please replace FIGS. 1-14 with FIGS. 1-14 as shown on the attached pages.

Signed and Sealed this
Twenty-first Day of July, 2020



Andrei Iancu
Director of the United States Patent and Trademark Office

(12) **United States Design Patent** (10) **Patent No.:** **US D834,253 S**
Khubani et al. (45) **Date of Patent:** **** Nov. 20, 2018**

(54) **SHAVING DEVICE**
 (71) Applicants: **Anand Khubani**, Morristown, NJ (US);
David Stowers, Morristown, NJ (US)
 (72) Inventors: **Anand Khubani**, Morristown, NJ (US);
David Stowers, Morristown, NJ (US)
 (73) Assignee: **IdeaVillage Products Corporation**,
 Wayne, NJ (US)

(**) Term: **15 Years**

(21) Appl. No.: **29/620,946**

(22) Filed: **Sep. 1, 2017**

(51) **LOC (11) CL.** **28-03**

(52) **U.S. CL.** **D28/50**
 USPC

(58) **Field of Classification Search**
 USPC D28/45-54
 CPC B26B 19/14; B26B 19/141; B26B 19/143;
 B26B 19/145; B26B 19/146; B26B
 19/148; B26B 19/16; B26B 19/18
 See application file for complete search history.

(56) **References Cited**

U.S. PATENT DOCUMENTS

3,116,551	A *	1/1964	Anton	B26B 19/141
					30/346.51
D255,166	S *	5/1980	Ayukawa	D28/50
D279,930	S *	7/1985	George	D28/48
D424,746	S *	5/2000	Lee	D28/50
6,502,309	B2 *	1/2003	De Vries	B26B 19/141
					30/34.2
D503,495	S *	3/2005	Maeda	D28/53
D634,067	S *	3/2011	Stowers	D28/53
D634,068	S *	3/2011	Stowers	D28/53
D637,759	S *	5/2011	Byun	D28/50
D652,990	S *	1/2012	Strickland	D28/46
D673,325	S *	12/2012	Martines	D28/4
D674,144	S *	1/2013	Yamamoto	D28/46
D674,558	S *	1/2013	Ino	D28/53

D675,377	S *	1/2013	Boulanger	D28/46
D675,778	S *	2/2013	Vetu	D28/50
D675,779	S *	2/2013	Vetu	D28/50
D695,962	S *	12/2013	Prat-Pfister	D28/50
D696,461	S *	12/2013	Prat-Pfister	D28/53
D698,491	S *	1/2014	Ellison	D28/50

(Continued)

OTHER PUBLICATIONS

www.freakinreviews.com Finishing Touch Flawless Review, 2 pages,
 downloaded May 29, 2018, posted on Mar. 8, 2017.*

Primary Examiner — Jennifer Rivard

(74) *Attorney, Agent, or Firm* — Dan DeLaRosa

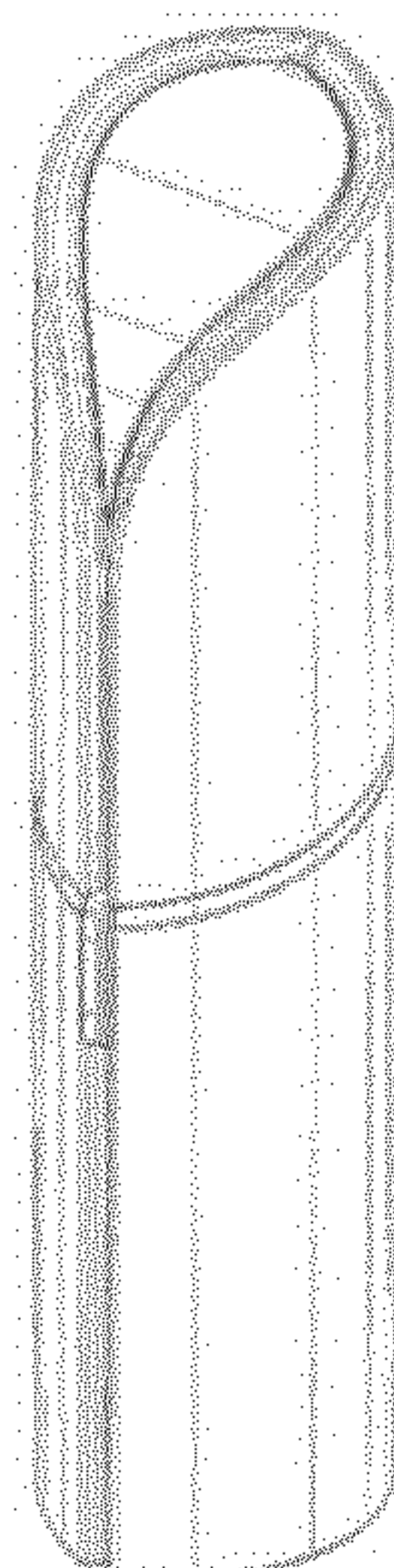
(57) **CLAIM**

We claim the ornamental design for a shaving device, as shown and described.

DESCRIPTION

FIG. 1 is a front perspective view of a shaving device shown with the cap of the present invention showing my new design;
 FIG. 2 is a front side elevation view thereof;
 FIG. 3 is a back side elevation view thereof;
 FIG. 4 is a side elevation view thereof;
 FIG. 5 is another side elevation view thereof;
 FIG. 6 is a top plan view thereof;
 FIG. 7 is a bottom plan view thereof;
 FIG. 8 is a perspective view of the shaving device shown without the cap;
 FIG. 9 is a front side view of FIG. 8;
 FIG. 10 is a back side view of FIG. 8;
 FIG. 11 is a side view of FIG. 8;
 FIG. 12 is another side view of FIG. 8;
 FIG. 13 is a top plan view of FIG. 8; and
 FIG. 14 is a bottom plan view of FIG. 8.
 The shaving device is shown with and without the cap for convenience of illustration.

1 Claim, 8 Drawing Sheets



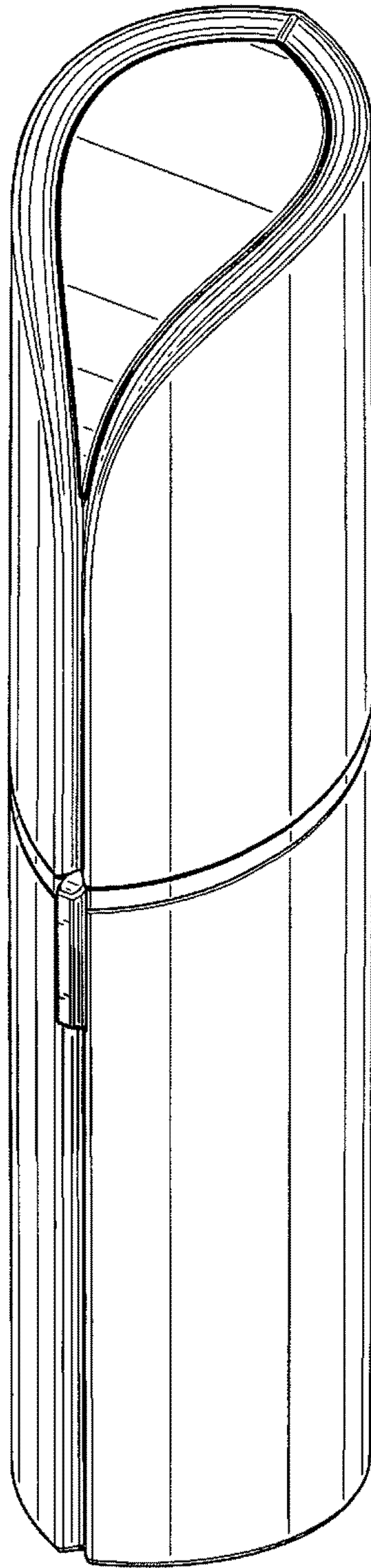


FIG. 1

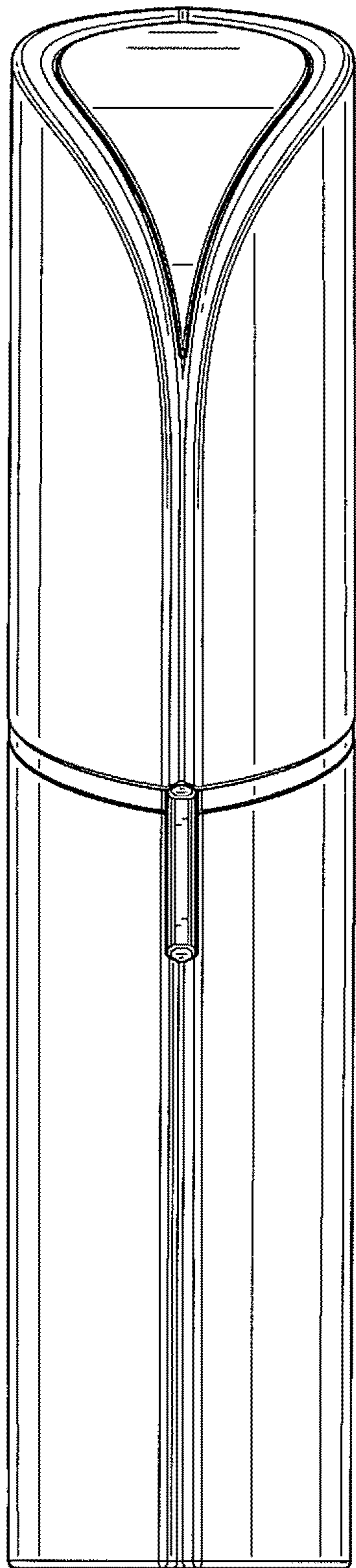


FIG. 2

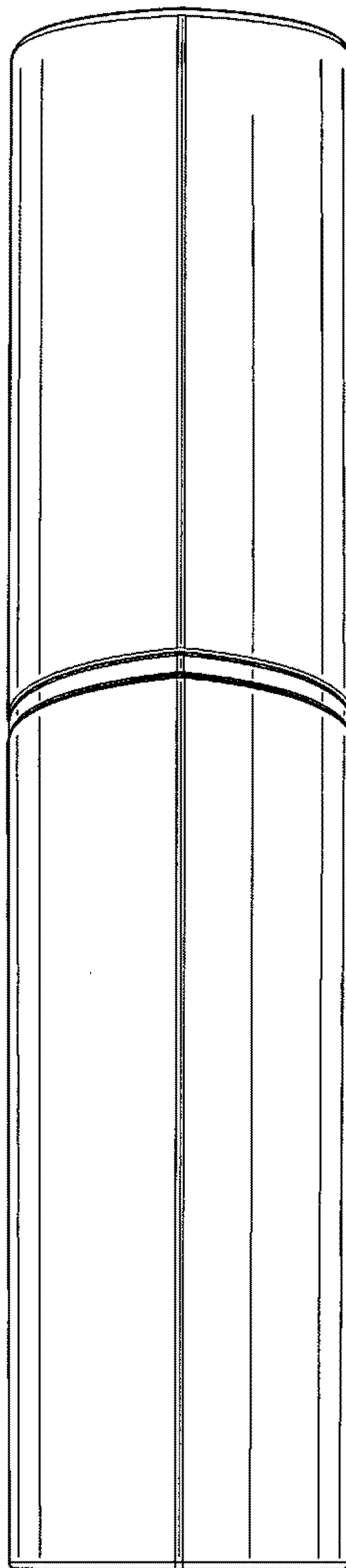


FIG. 3

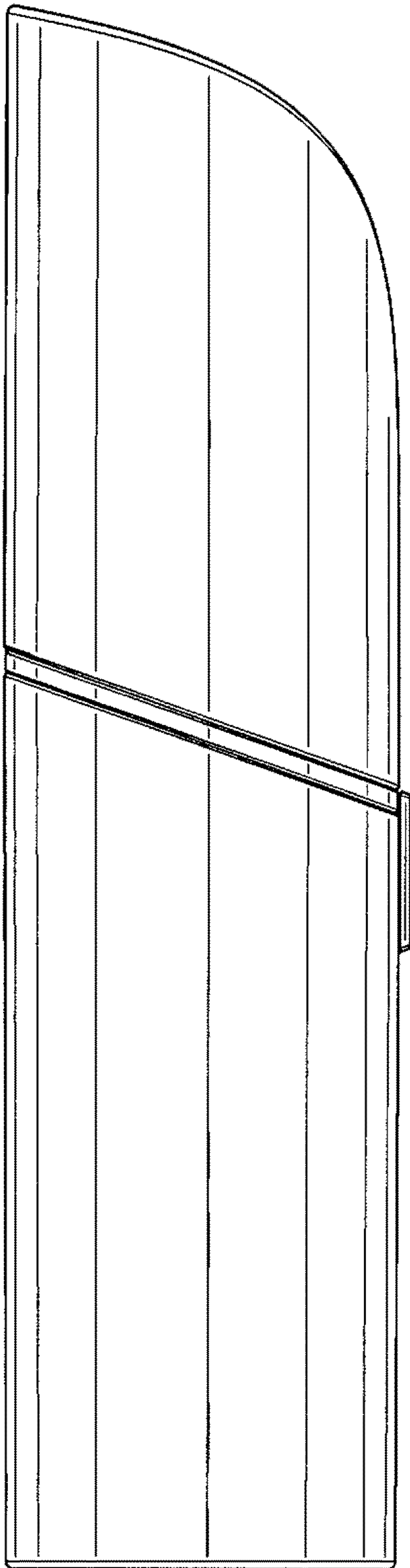


FIG. 4

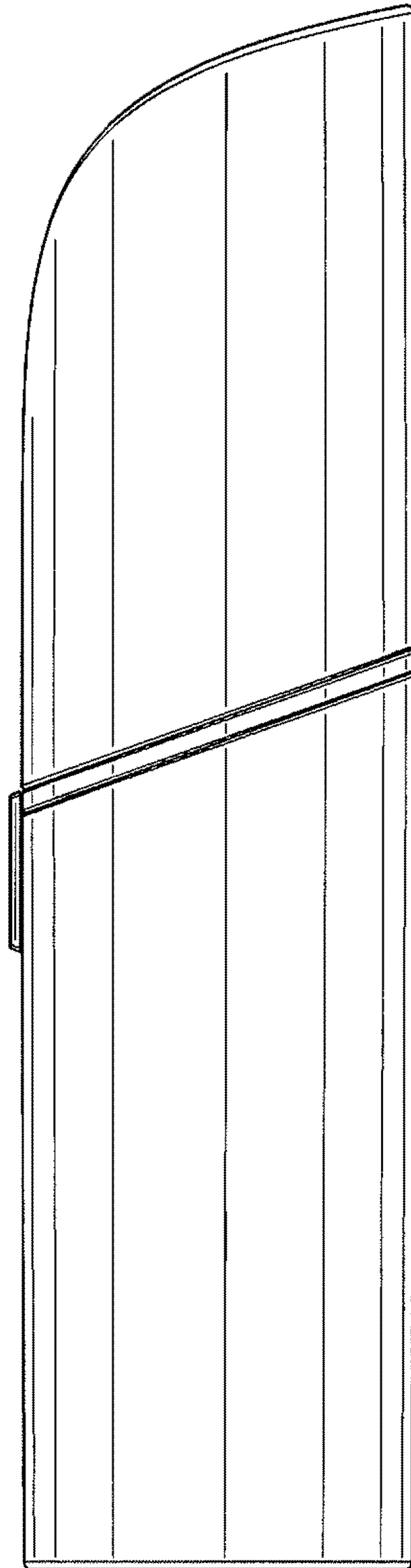


FIG. 5

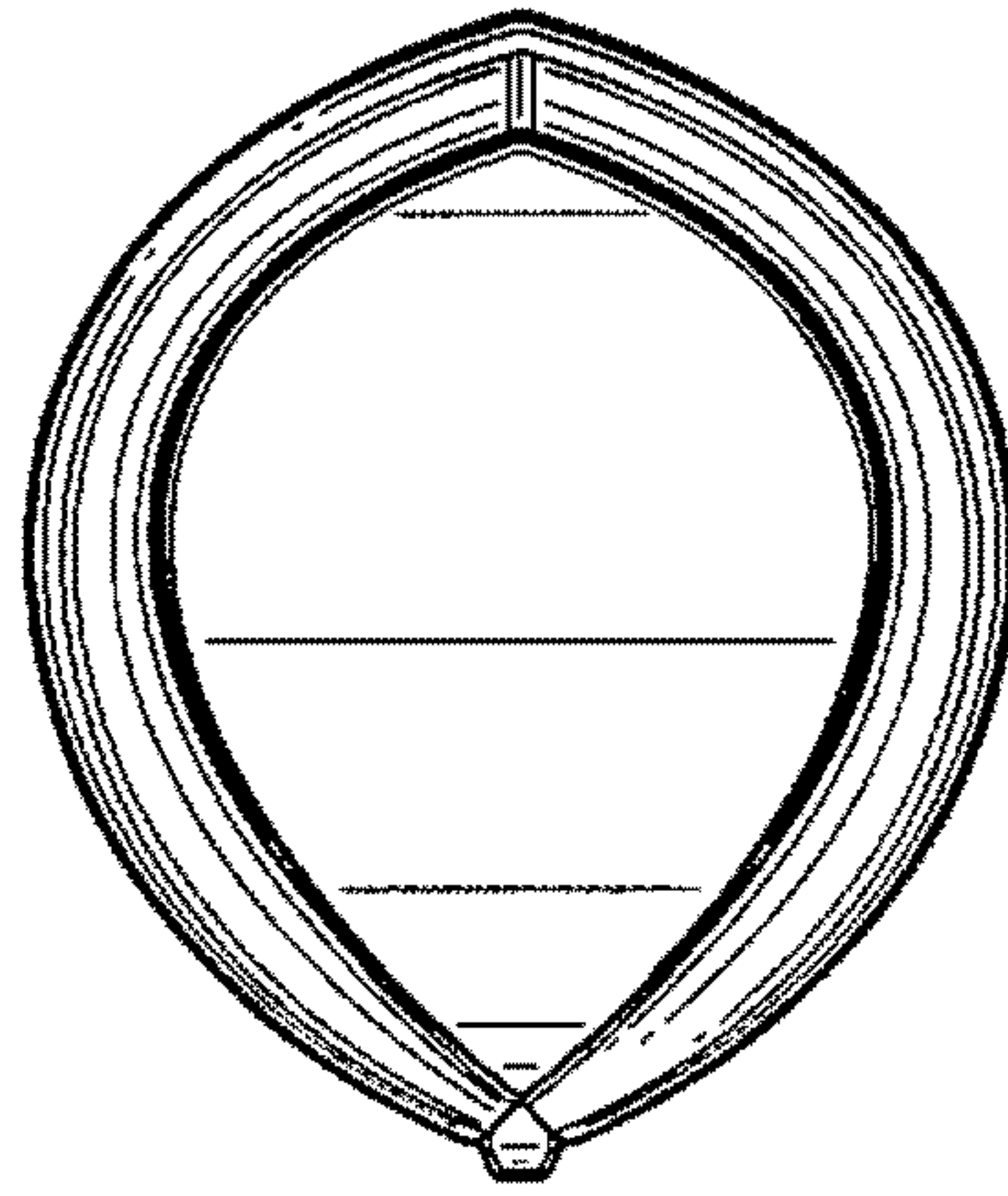


FIG. 6

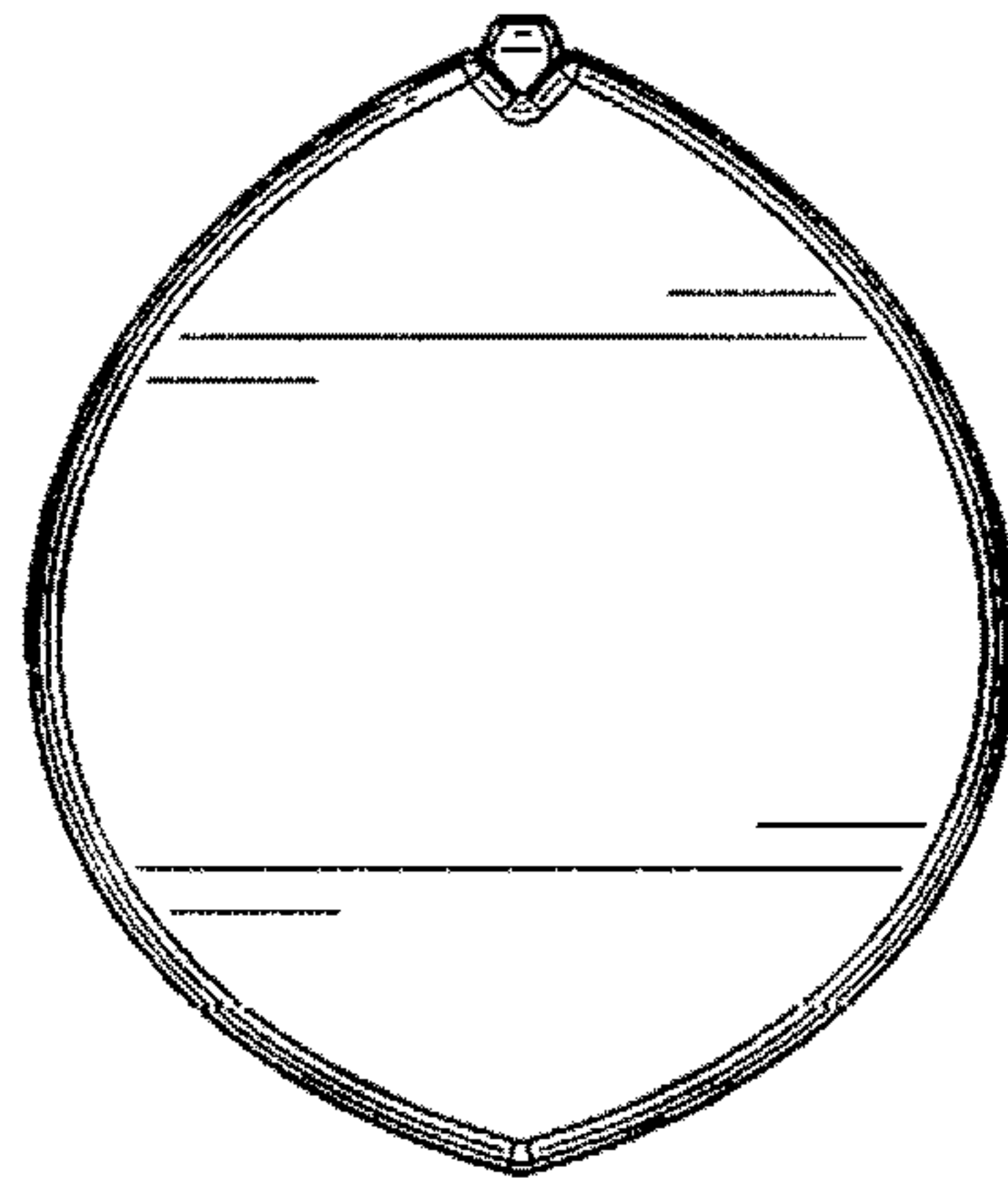


FIG. 7

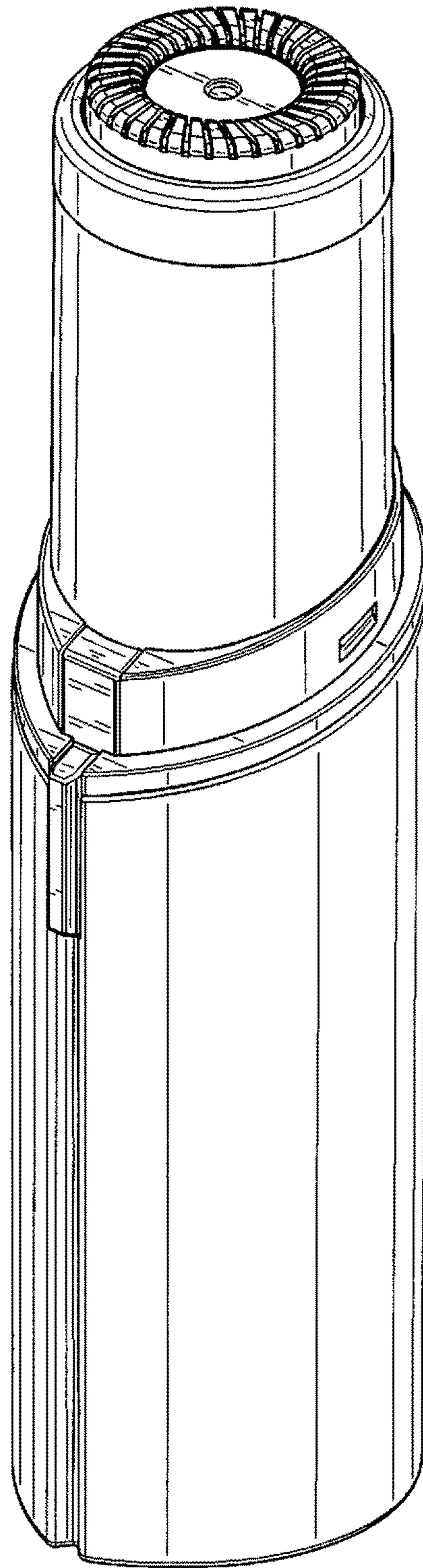


FIG. 8

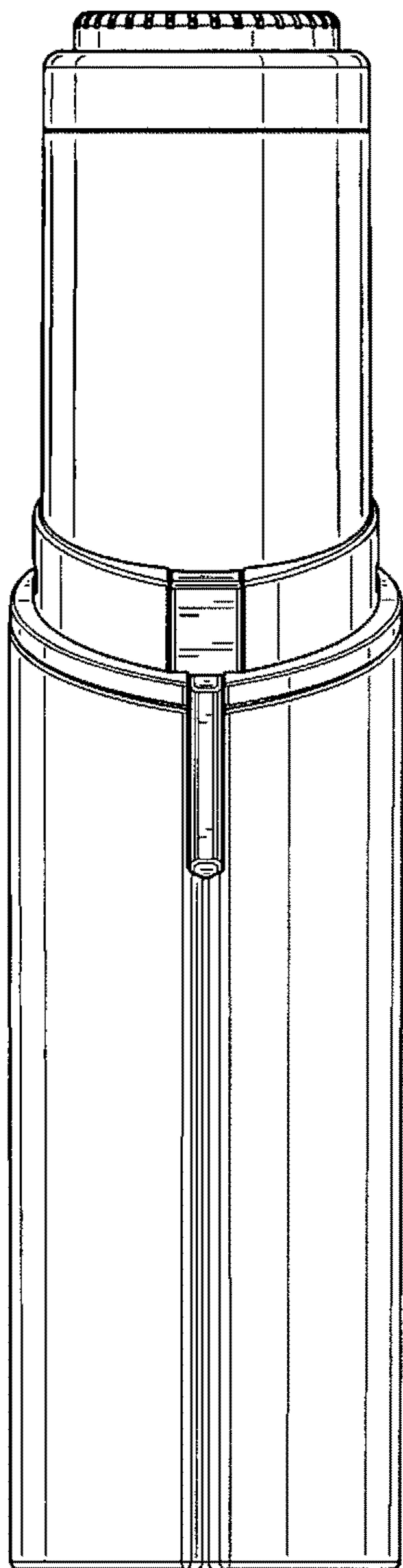


FIG. 9

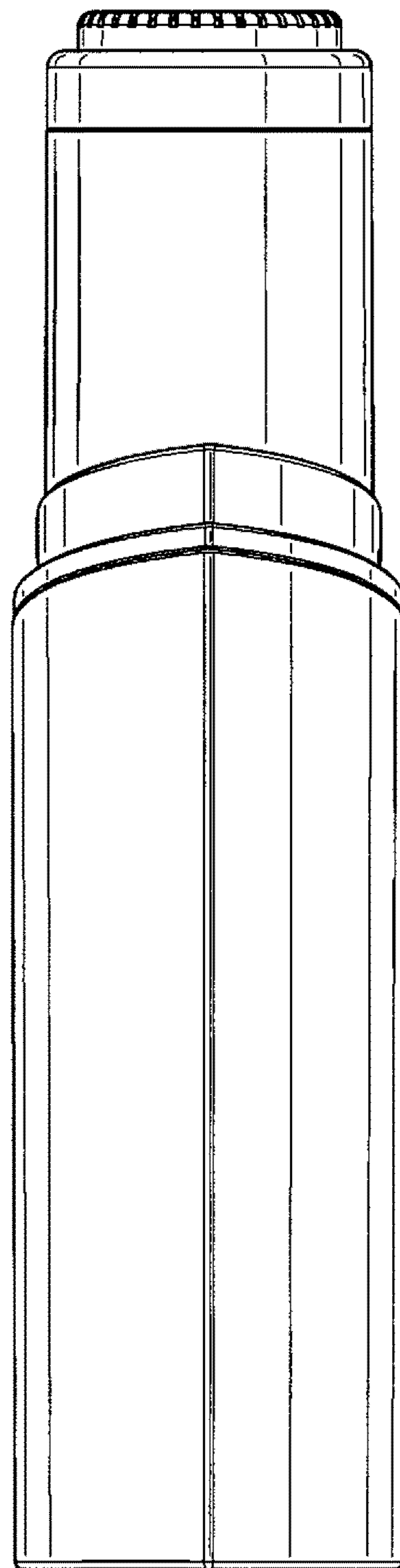


FIG. 10

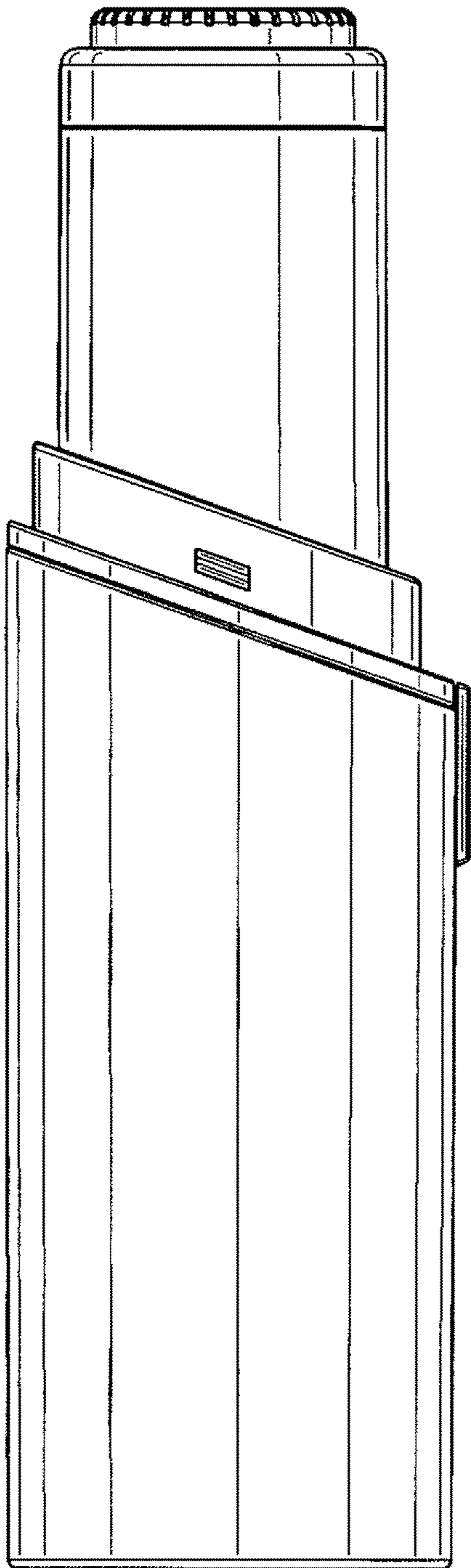


FIG. 11

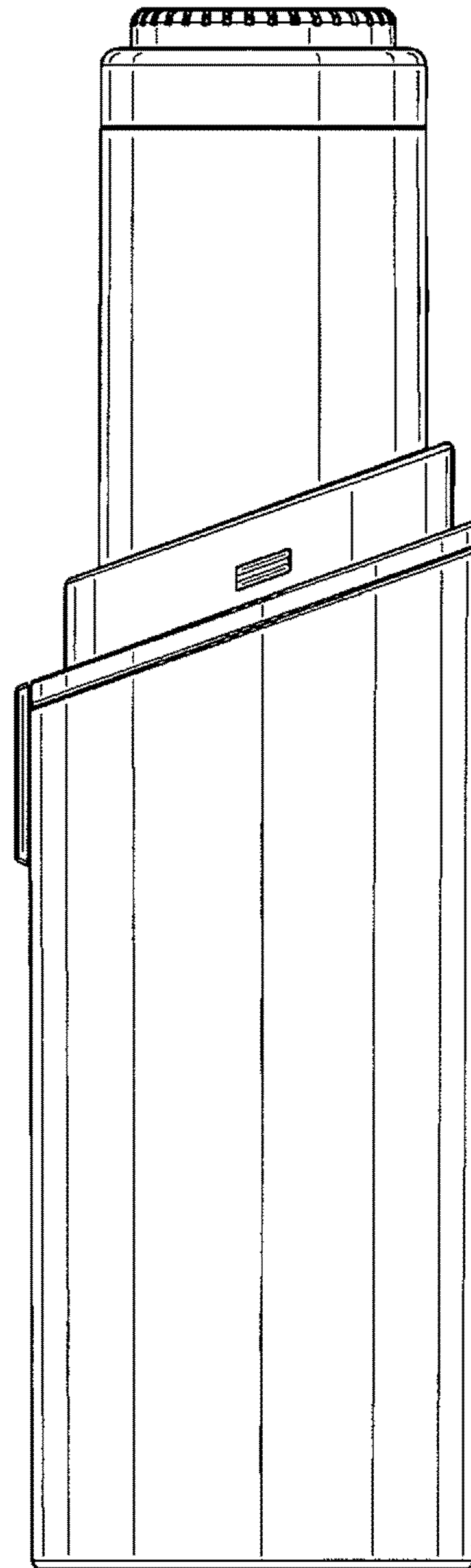


FIG. 12

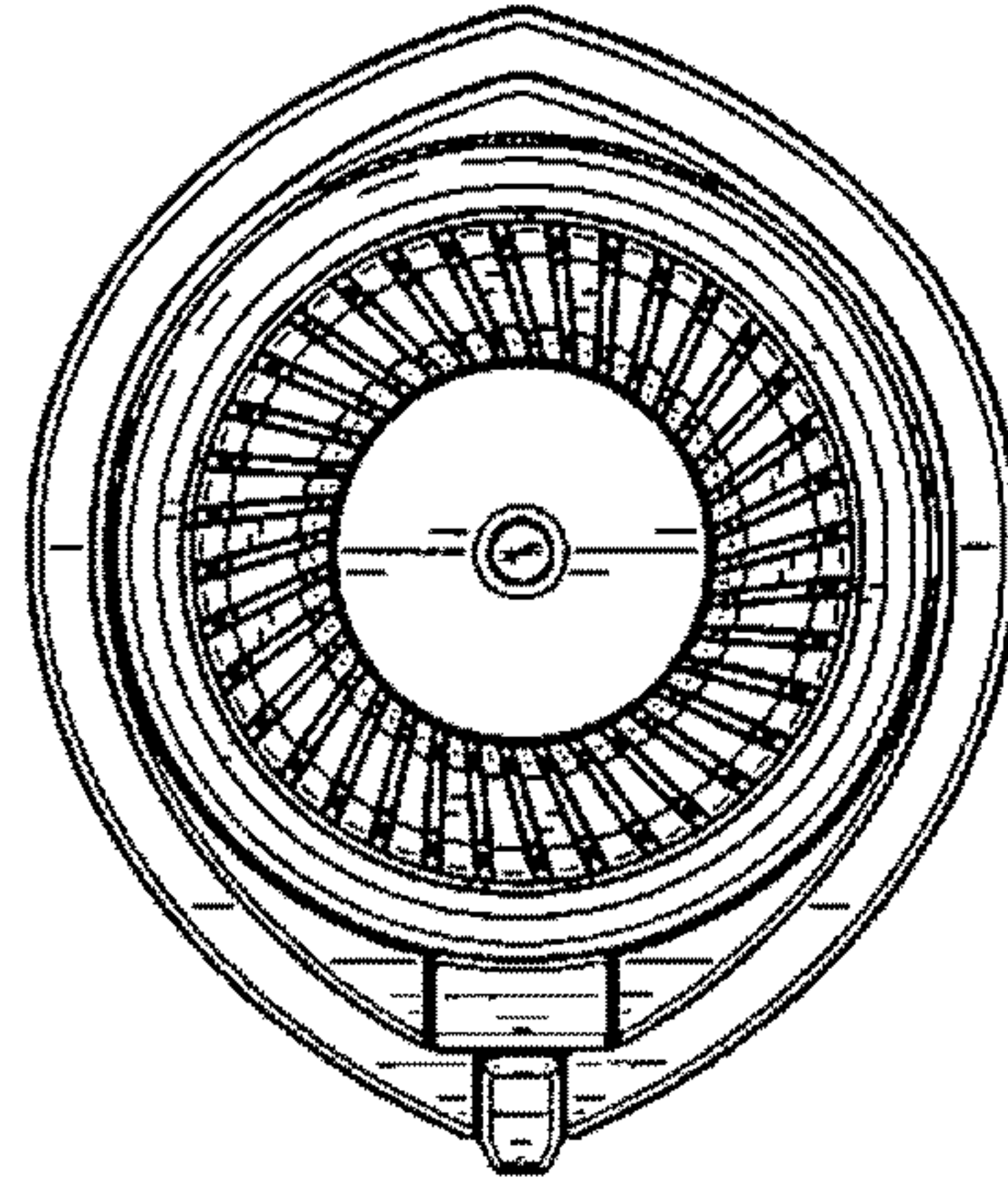


FIG. 13

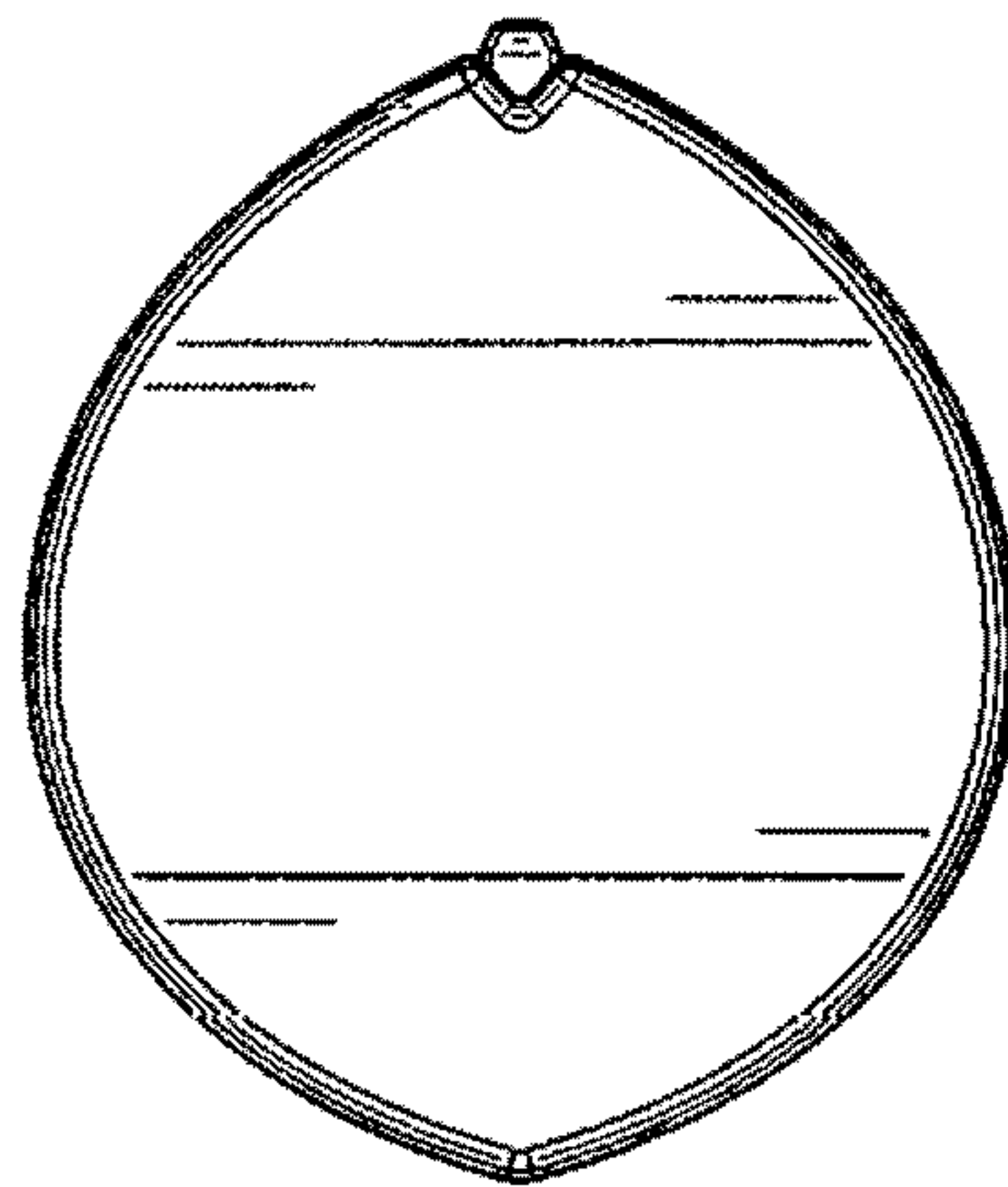


FIG. 14