



US00D834249S

(12) **United States Design Patent** (10) **Patent No.:** **US D834,249 S**  
**O’Leary** (45) **Date of Patent:** **\*\* Nov. 20, 2018**

(54) **EYEBROW DEVICE** 6,640,814 B1 \* 11/2003 Burke ..... A45D 2/48  
132/319  
(71) Applicant: **Therese O’Leary**, Douglas (IE) D532,929 S \* 11/2006 Weltmann ..... D28/7  
D673,326 S \* 12/2012 Dunaway ..... D28/7  
(72) Inventor: **Therese O’Leary**, Douglas (IE) 8,720,454 B2 \* 5/2014 Santillan ..... A45D 2/48  
132/217  
(\*\*) Term: **15 Years** D758,009 S \* 5/2016 Berkos ..... D28/7  
D776,343 S \* 1/2017 Rhoades ..... D28/7  
9,717,315 B2 \* 8/2017 Horino ..... A45D 2/48  
(21) Appl. No.: **29/611,008** 2003/0102005 A1 \* 6/2003 Muraki ..... A45D 2/48  
132/217  
(22) Filed: **Jul. 18, 2017** 2005/0022838 A1 \* 2/2005 Davis ..... A45D 40/265  
132/319

(30) **Foreign Application Priority Data**

Jan. 19, 2017 (EM) ..... 003659937-0001

(51) **LOC (11) Cl.** ..... **28-03**

(52) **U.S. Cl.**  
USPC ..... **D28/7**

(58) **Field of Classification Search**  
USPC ..... D28/7, 8; D24/168, 187, 189, 190;  
D30/161; D19/164-166  
CPC . A61K 8/99; A61K 8/042; A61K 8/34; A61K  
8/245; A61K 8/19  
See application file for complete search history.

(56) **References Cited**

**U.S. PATENT DOCUMENTS**

1,873,928 A \* 8/1932 Bohner ..... A45D 40/30  
132/216  
4,033,364 A \* 7/1977 Inzana ..... A45D 40/30  
132/216  
D252,890 S \* 9/1979 Cavalieri ..... D28/36  
D341,001 S \* 11/1993 Pantages ..... D28/7

\* cited by examiner

*Primary Examiner* — Brandon M Rosati

*Assistant Examiner* — John A Voytek

(74) *Attorney, Agent, or Firm* — Scully, Scott, Murphy & Presser, P.C.

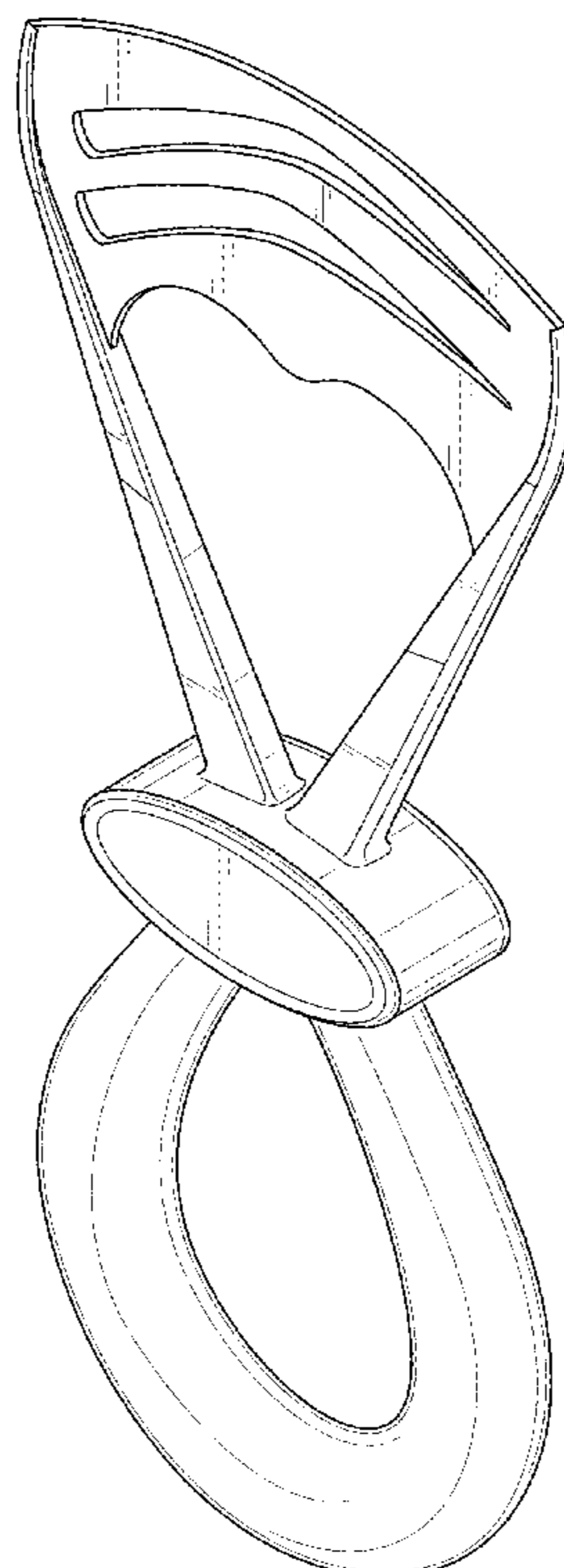
(57) **CLAIM**

The ornamental design for an eyebrow device, as shown and described.

**DESCRIPTION**

FIG. 1 illustrates a perspective view of an eyebrow device, showing our new and ornamental design;  
FIG. 2 illustrates a front view thereof;  
FIG. 3 illustrates a back view thereof;  
FIG. 4 illustrates a side view thereof;  
FIG. 5 illustrates an alternate side view thereof;  
FIG. 6 illustrates a top view thereof; and,  
FIG. 7 illustrates a bottom view thereof.

**1 Claim, 5 Drawing Sheets**



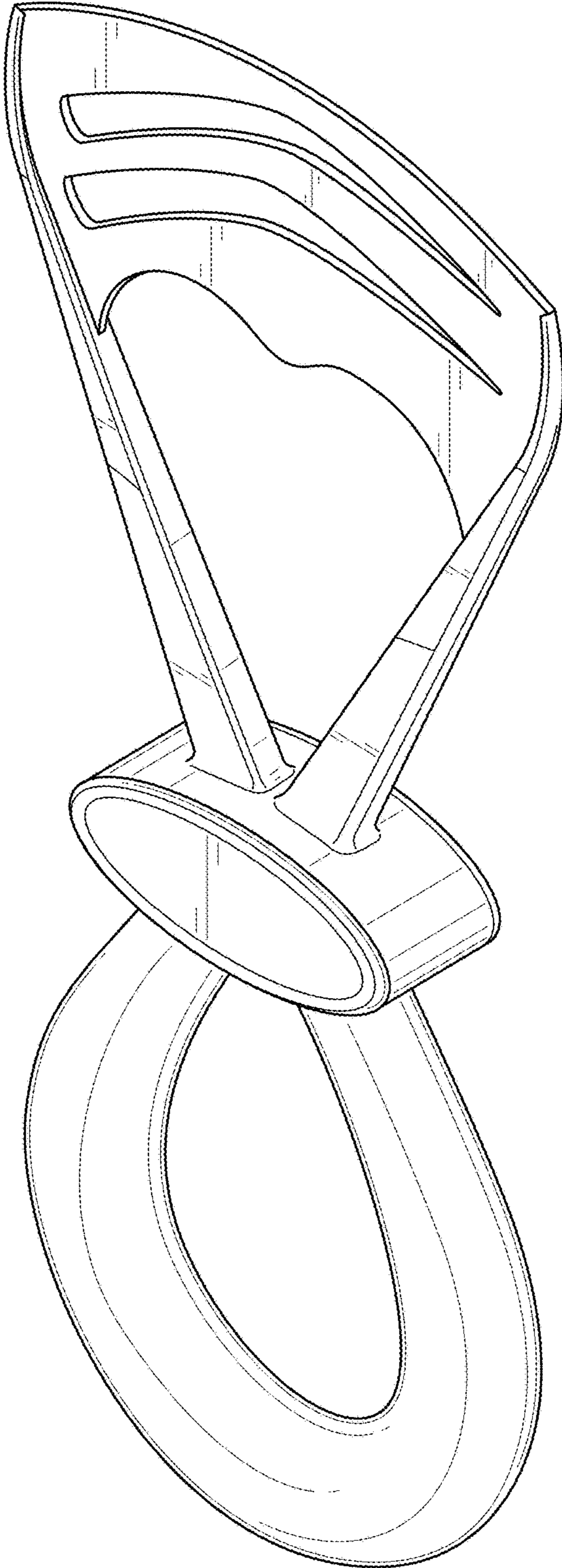


FIG. 1

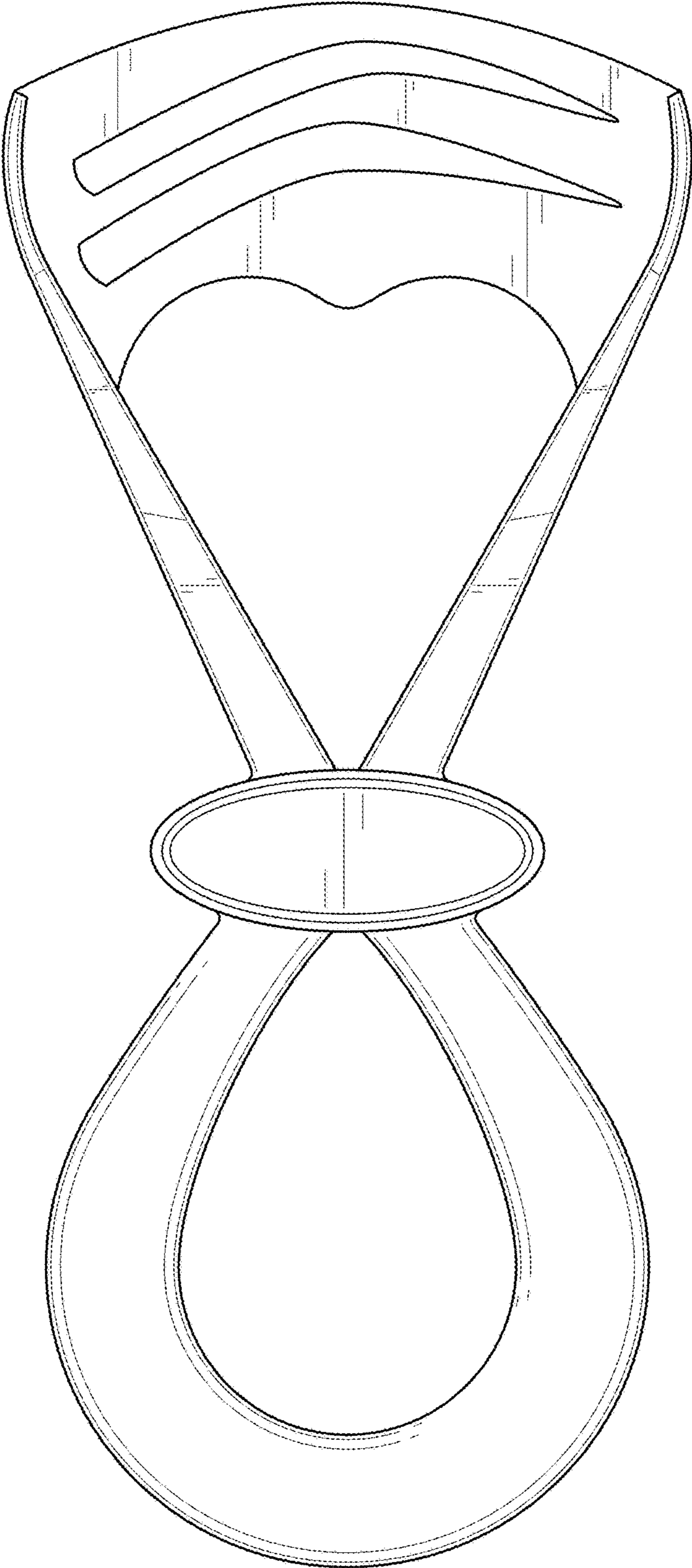


FIG. 2

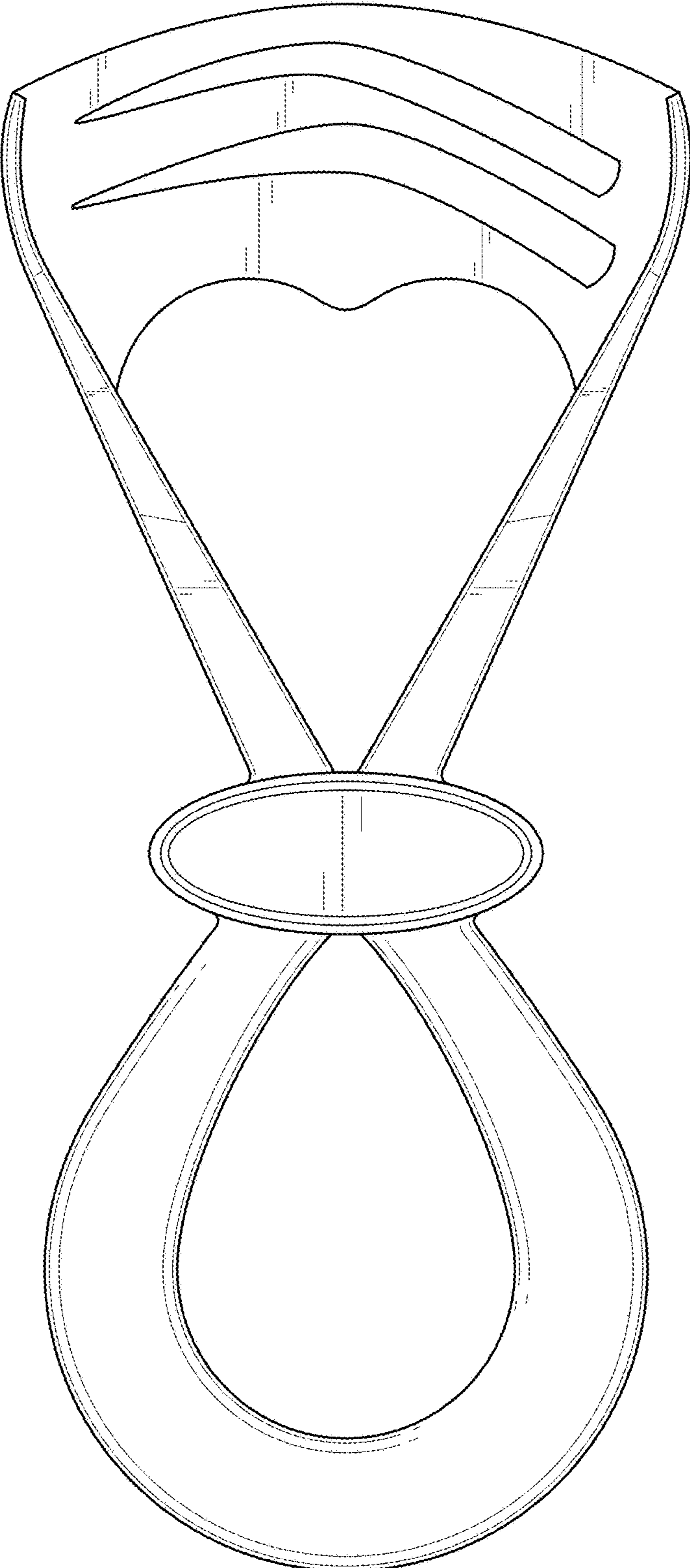


FIG. 3

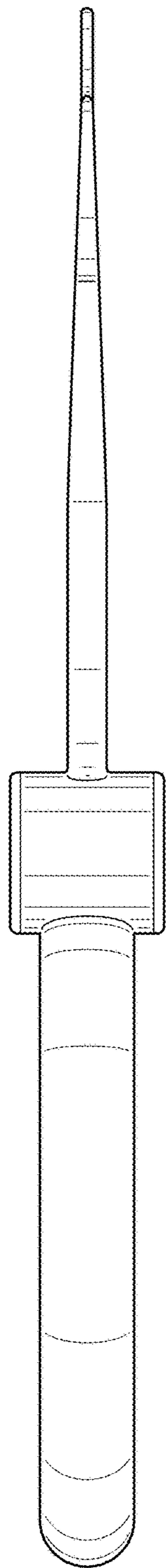


FIG. 4

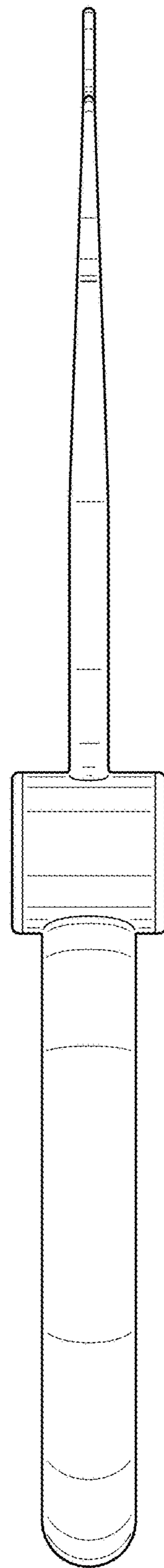


FIG. 5

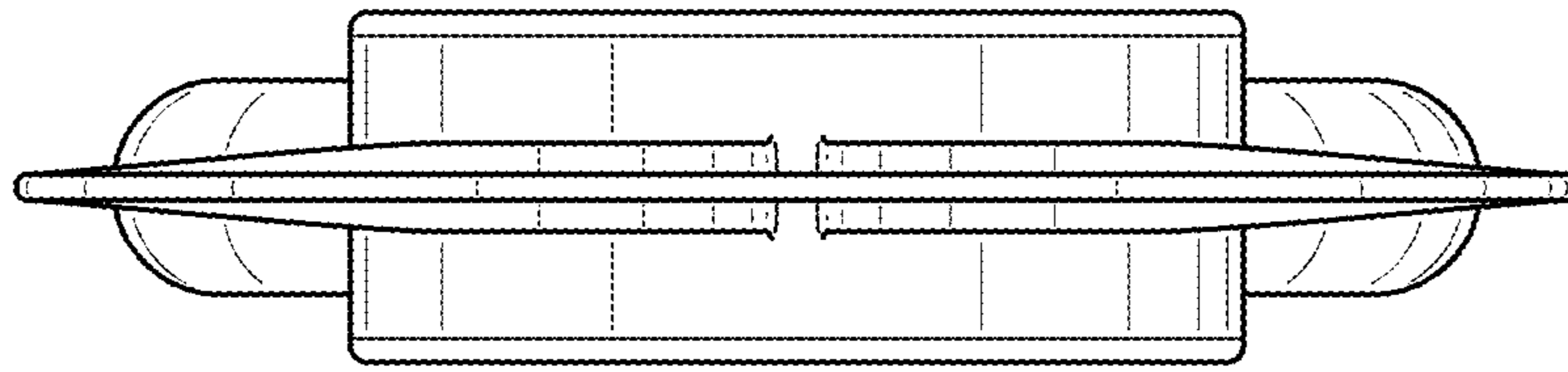


FIG. 6

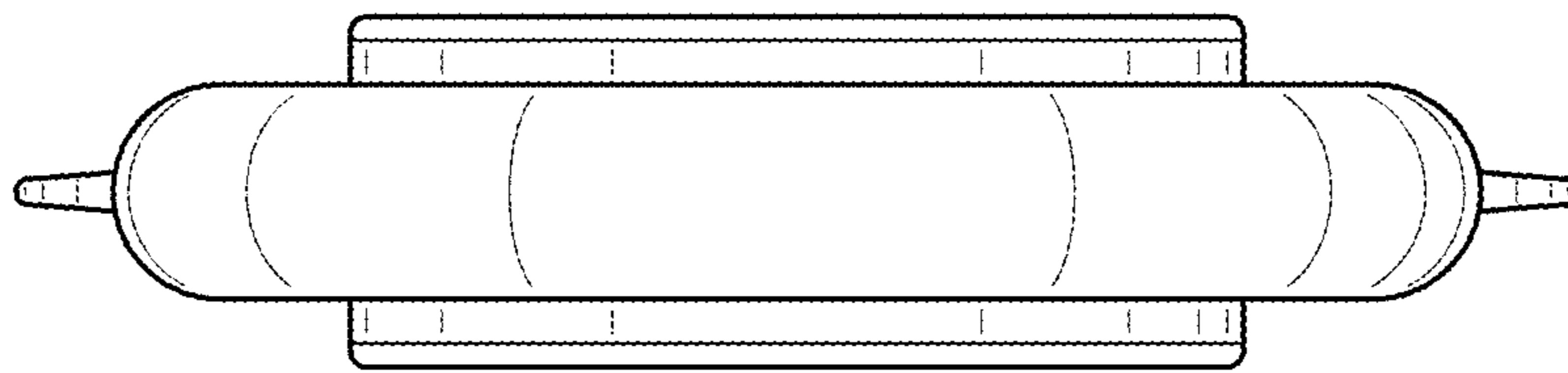


FIG. 7