



US00D834248S

(12) **United States Design Patent** (10) **Patent No.:** **US D834,248 S**
Cordani (45) **Date of Patent:** **** Nov. 20, 2018**

(54) **E-CIGARETTE CASE**

(71) Applicant: **GelTech Solutions, Inc.**, Jupiter, FL
(US)

(72) Inventor: **Peter Cordani**, Palm Beach Gardens,
FL (US)

(73) Assignee: **GelTech Solutions, Inc.**, Jupiter, FL
(US)

(**) Term: **15 Years**

(21) Appl. No.: **29/601,722**

(22) Filed: **Apr. 25, 2017**

(51) **LOC (11) Cl.** **27-06**

(52) **U.S. Cl.**
USPC **D27/172**

(58) **Field of Classification Search**
USPC D27/172, 174, 194; 206/261, 236, 242,
206/216, 581, 37; D3/265, 207, 201
CPC A45C 11/00; A45C 11/04; B65D 81/02;
B65D 81/022; B65D 85/00; B65D 85/10;
B65D 85/08; B65D 85/12; B65D 85/14
See application file for complete search history.

(56) **References Cited**

U.S. PATENT DOCUMENTS

- D396,747 S * 8/1998 Cheung D3/265
- 5,921,383 A * 7/1999 Shefler A45C 11/04
206/38
- D414,036 S * 9/1999 Conway D3/263
- D430,727 S * 9/2000 Wisniewski D3/201
- D547,548 S * 7/2007 Au D3/265
- D731,178 S * 6/2015 Gorouvein D3/265
- D772,572 S * 11/2016 Palmberg D3/201

- D806,313 S * 12/2017 Penna D27/194
- D810,431 S * 2/2018 Kim D3/266
- 2010/0294675 A1* 11/2010 Mangano A45C 11/04
206/5

* cited by examiner

Primary Examiner — Susan Bennett Hattan

Assistant Examiner — Rebecca Tsehaye

(74) *Attorney, Agent, or Firm* — McHale & Slavin, P.A.

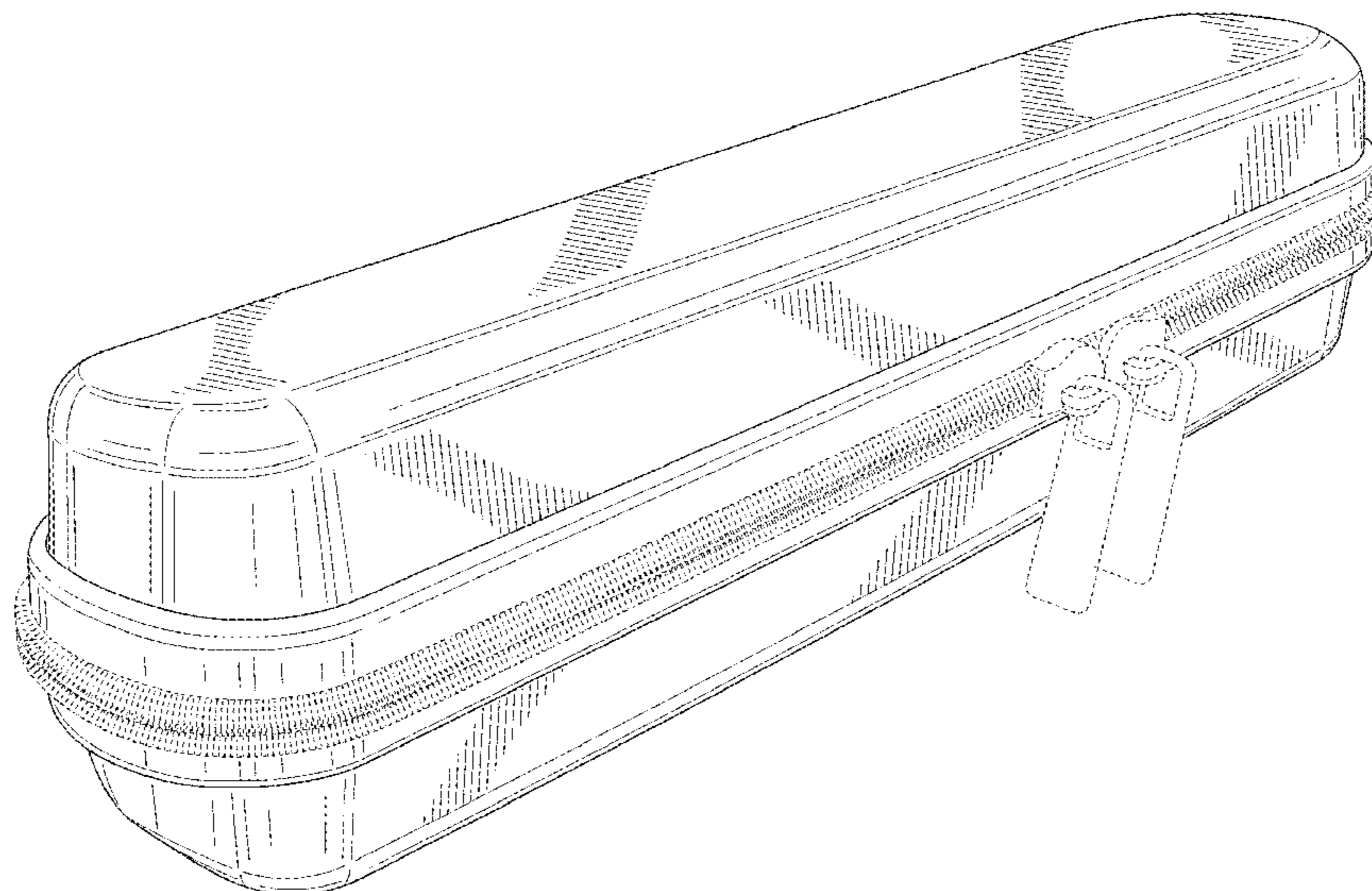
(57) **CLAIM**

The ornamental design for an e-cigarette case, as shown and described.

DESCRIPTION

FIG. 1 is a perspective view of the e-cigarette case of the instant invention in a closed position;
 FIG. 2 is a front side view thereof;
 FIG. 3 is a rear side view thereof depicting two exhaust apertures;
 FIG. 4 is a right side view thereof;
 FIG. 5 is a left side view thereof;
 FIG. 6 is a top view thereof;
 FIG. 7 is a bottom view thereof
 FIG. 8 is a perspective view of said e-cigarette case in an open position depicting an e-cigarette retainer section on the left side and a packet on the right side;
 FIG. 9 is a right side of FIG. 8;
 FIG. 10 is a left side of FIG. 8;
 FIG. 11 is a front end of FIG. 8;
 FIG. 12 is a rear end view of FIG. 8;
 FIG. 13 is a top plane view of FIG. 8 depicting said exhaust apertures; and,
 FIG. 14 is a bottom plane view of FIG. 8.
 The portions of the e-cigarette case illustrated in broken lines form no part of the claim for the e-cigarette case.

1 Claim, 10 Drawing Sheets



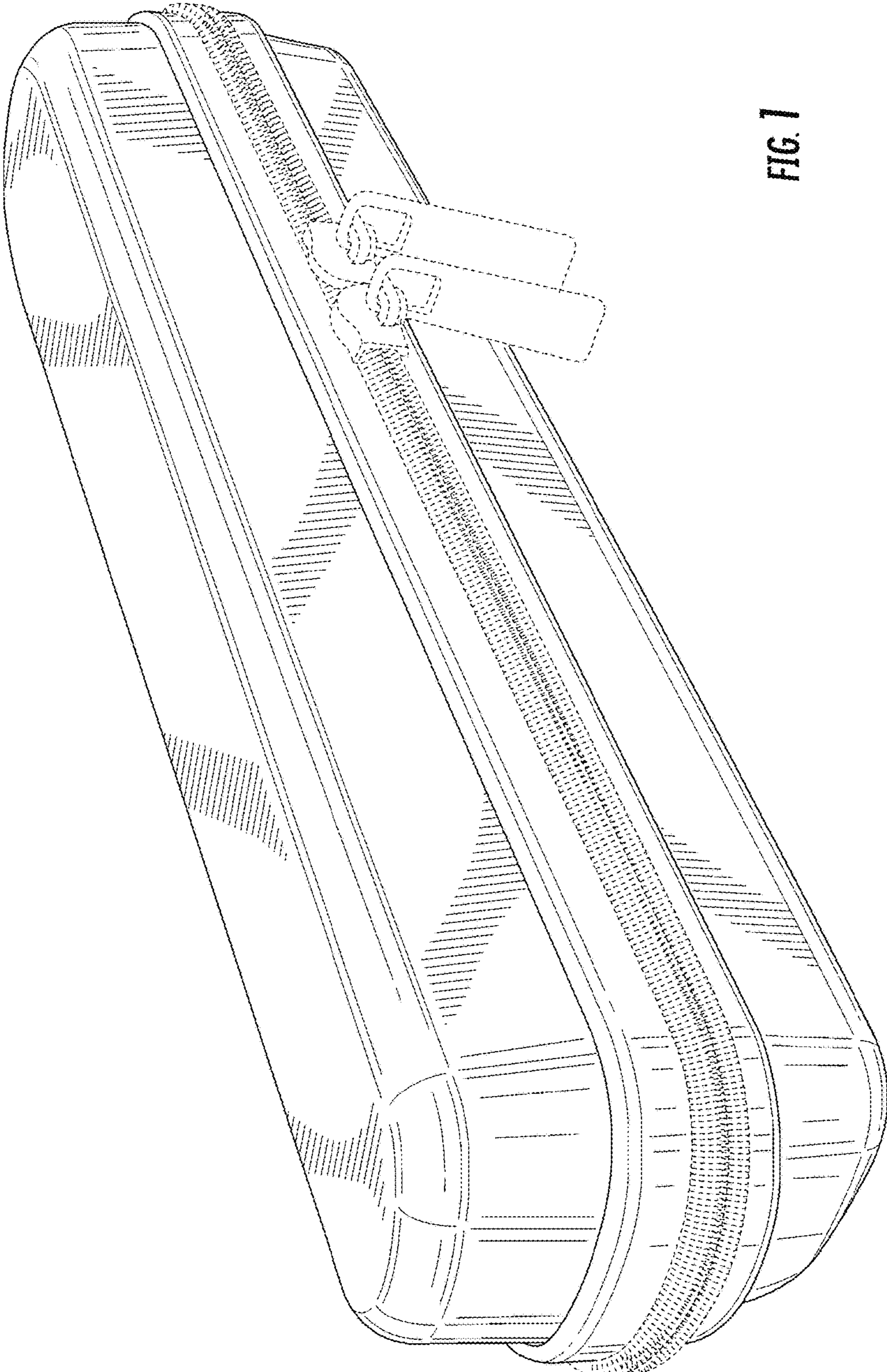


FIG. 1

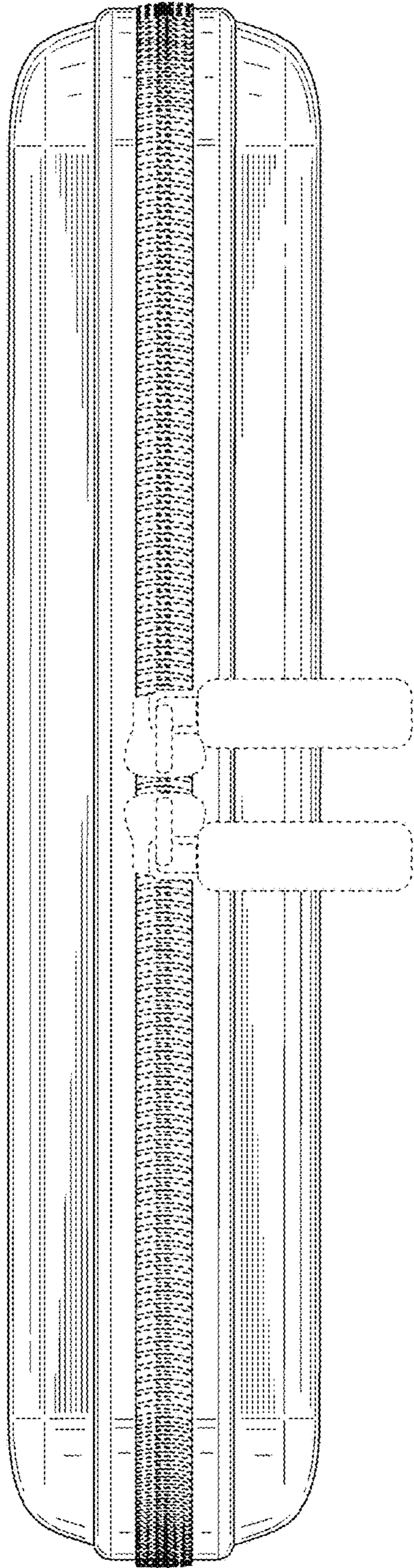


FIG. 2

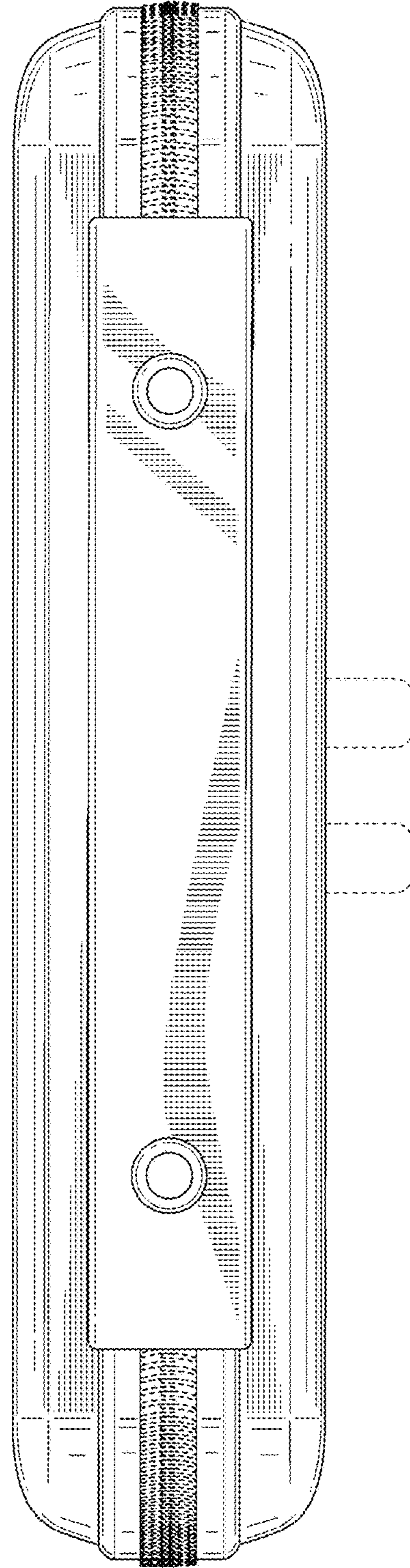
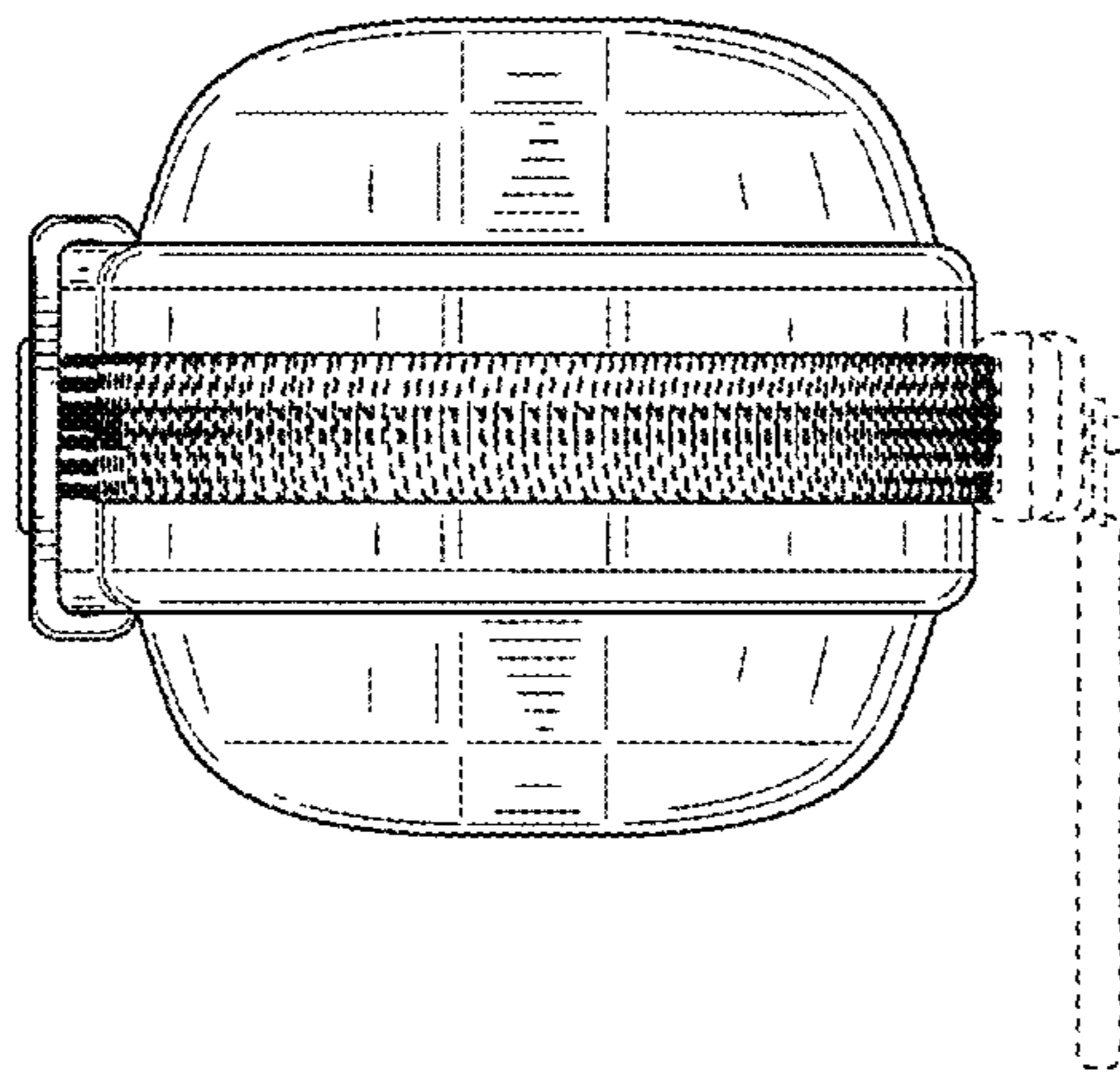
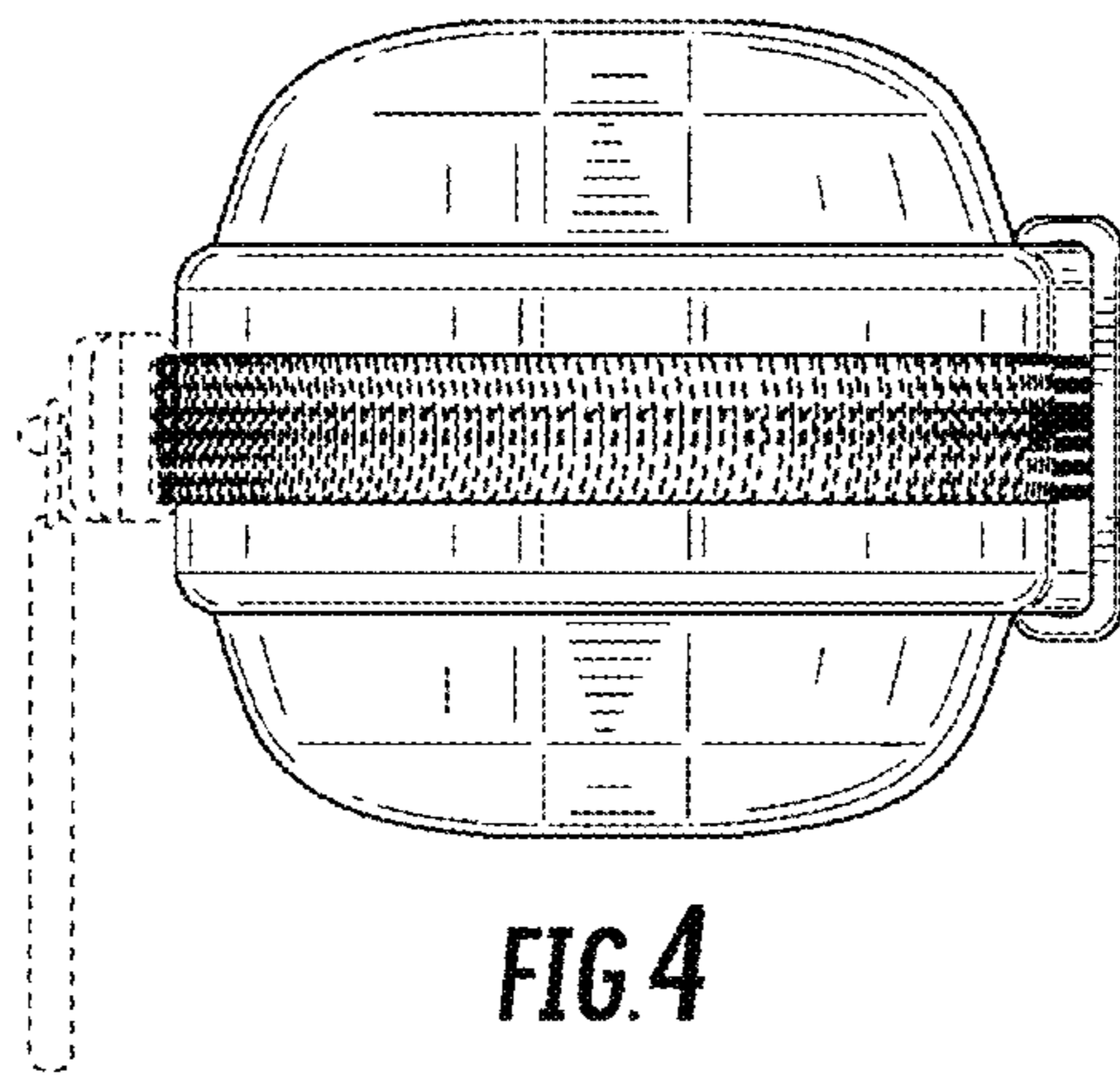


FIG. 3



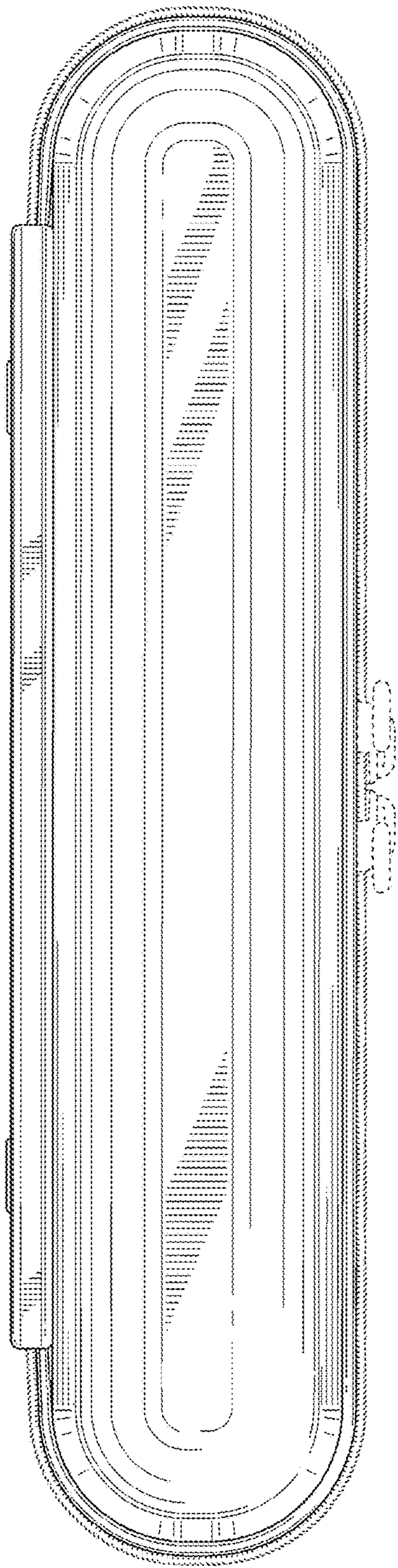


FIG. 6

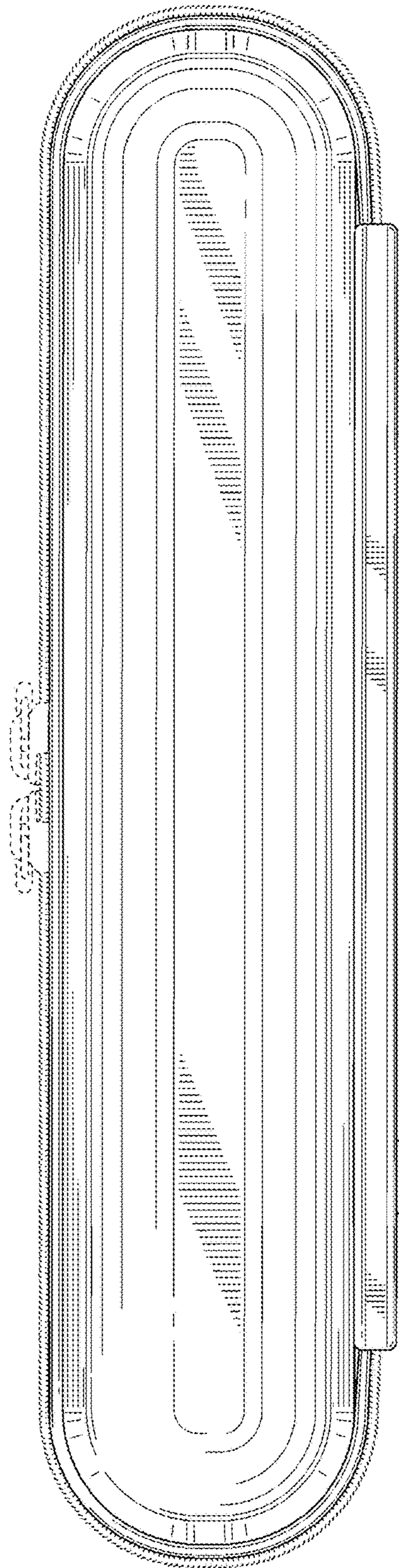


FIG. 7

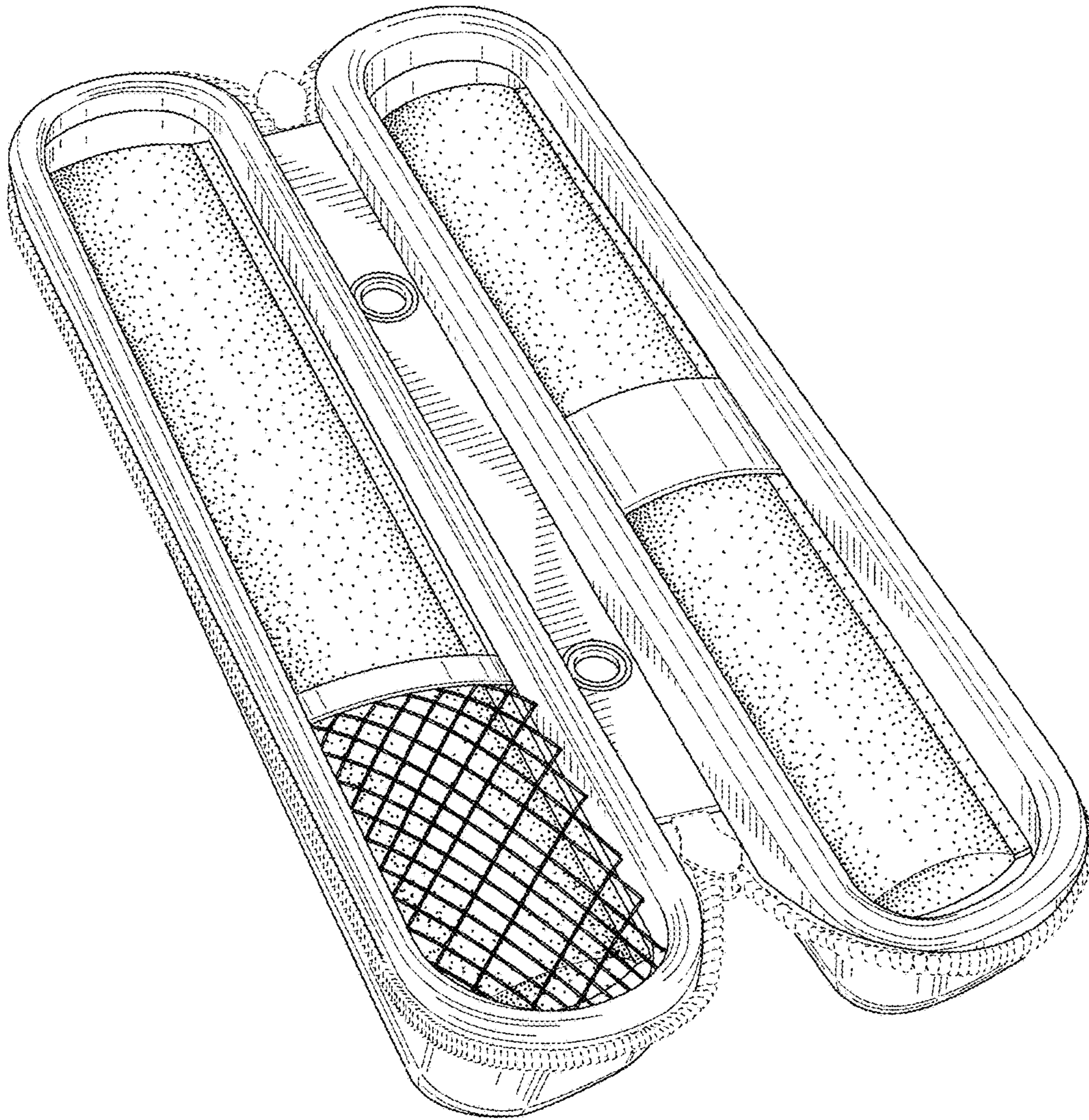


FIG. 8

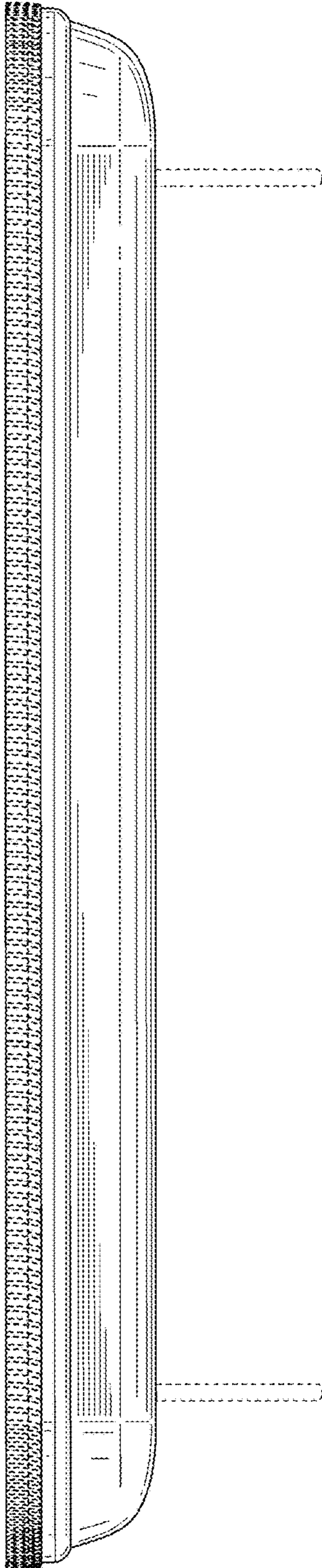


FIG. 9

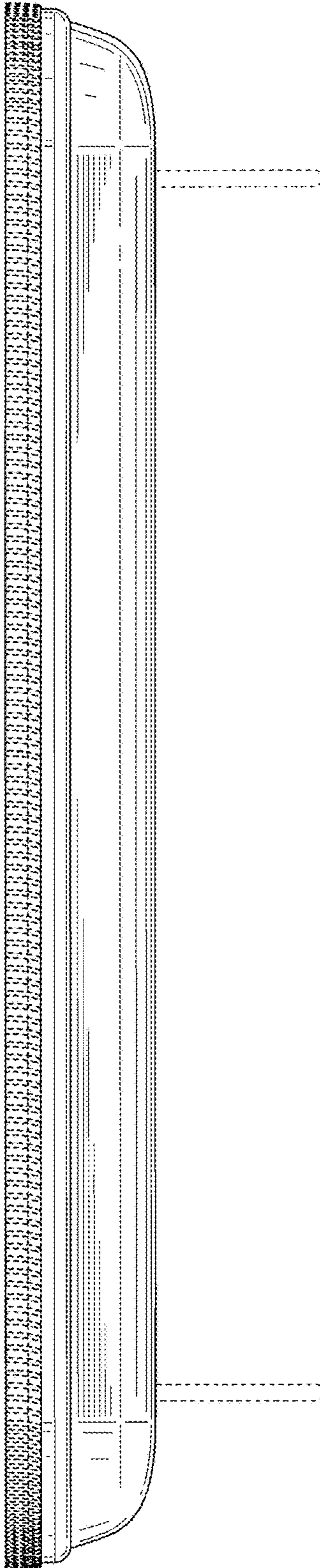


FIG. 10

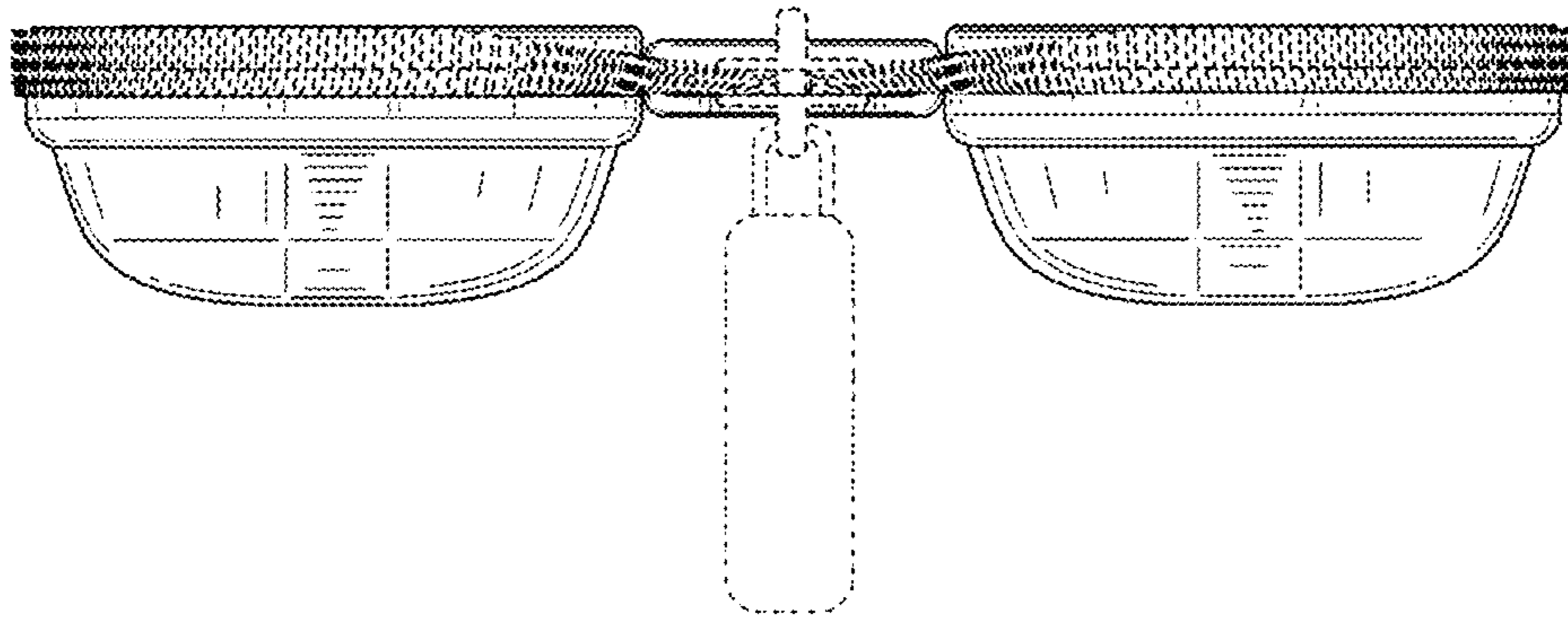


FIG. 11

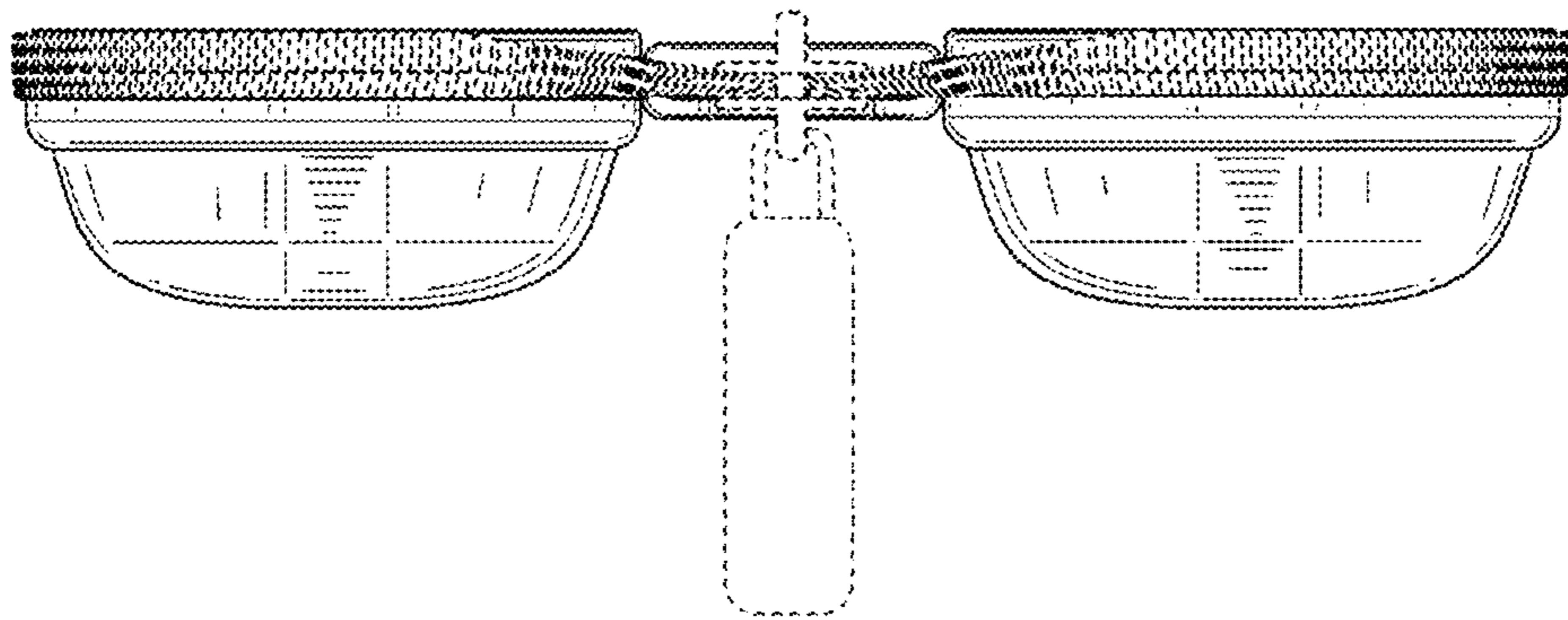


FIG. 12

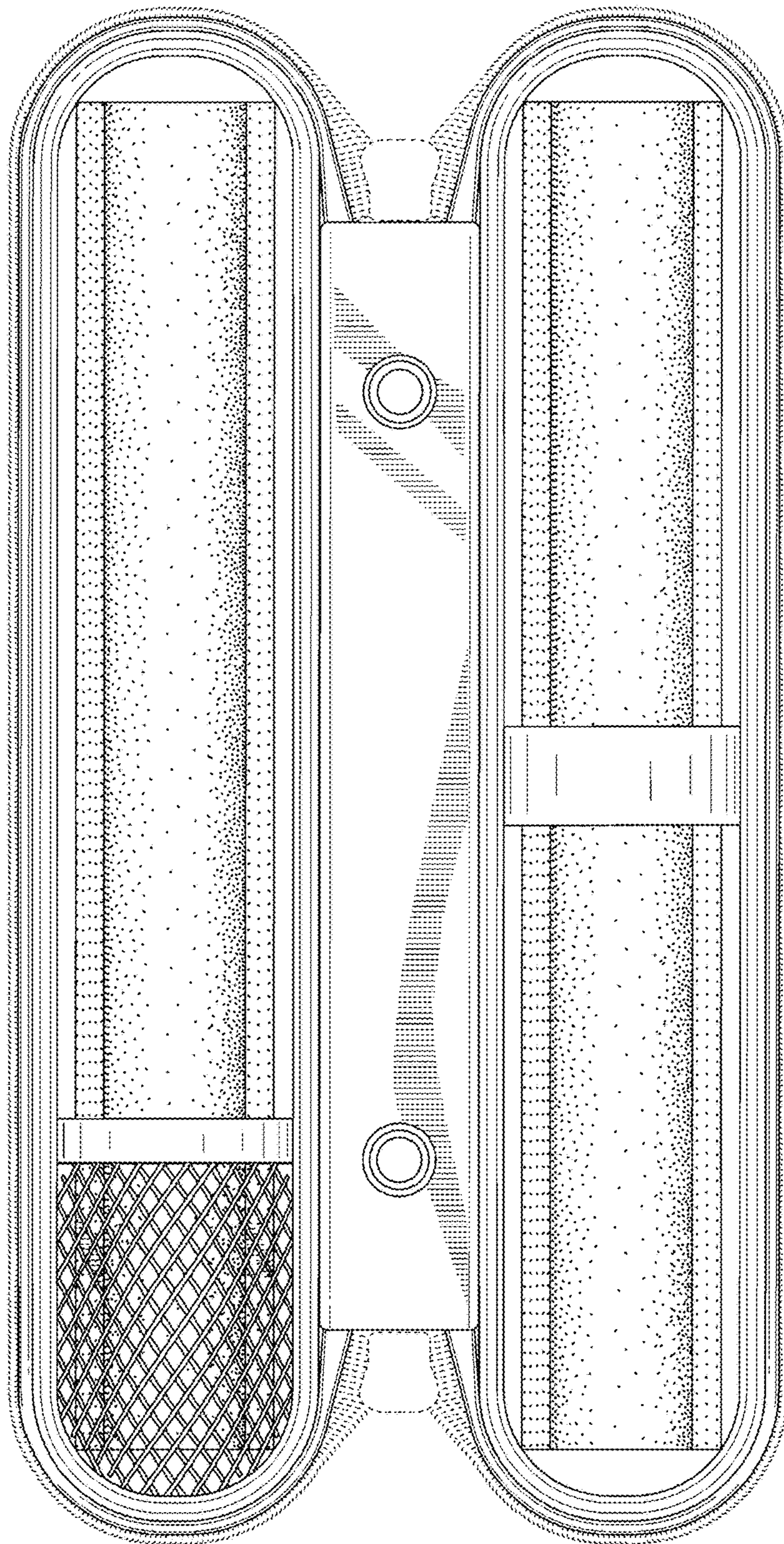


FIG. 13

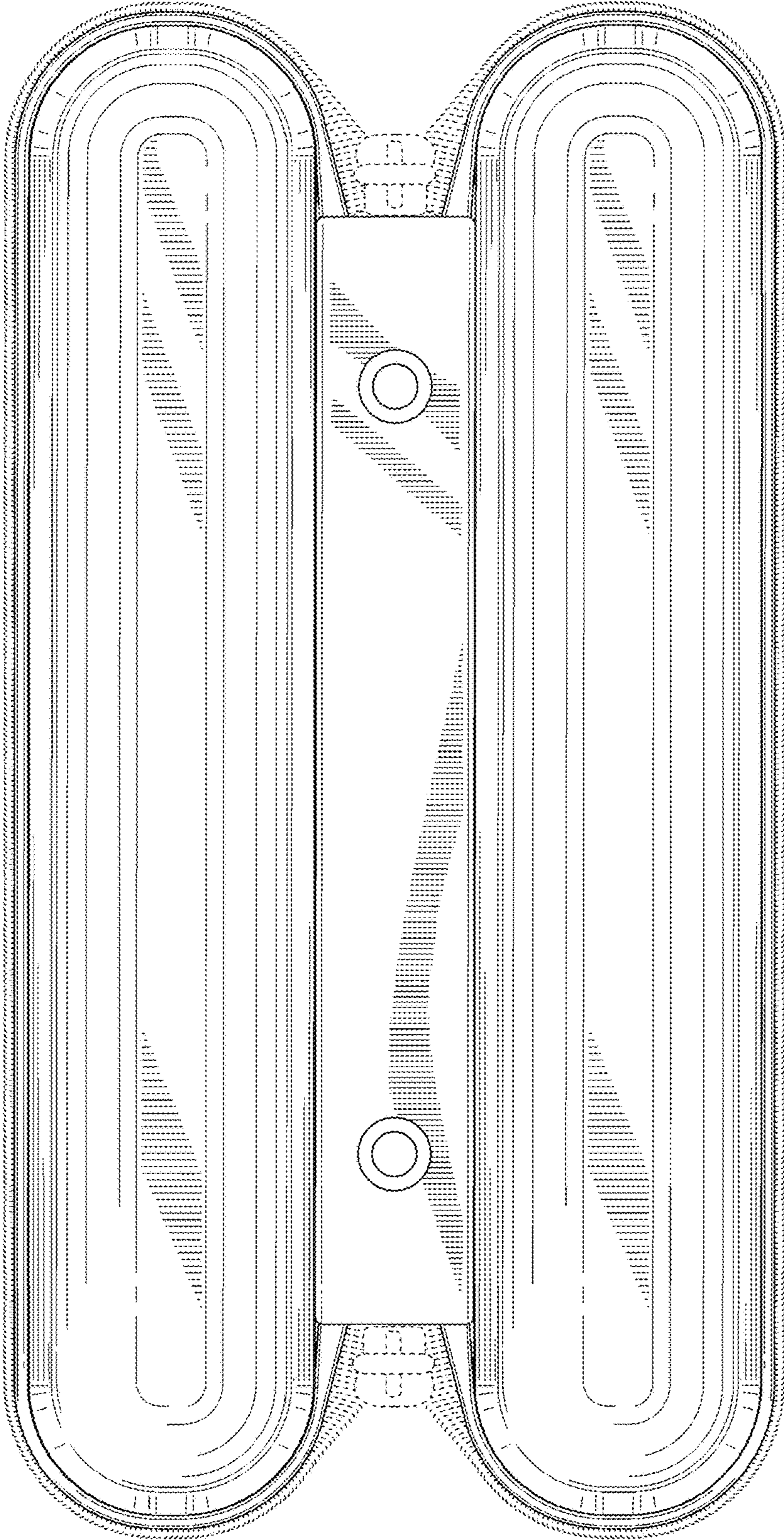


FIG. 14