



US00D834242S

(12) **United States Design Patent** (10) **Patent No.:** **US D834,242 S**
Trzeciński (45) **Date of Patent:** **** Nov. 20, 2018**

(54) **HOUSING FOR A LED-BASED LIGHTING APPARATUS**

(71) Applicant: **LED Labs sp z.o.o.**, Cracow (PL)

(72) Inventor: **Grzegorz Trzeciński**, Kraków (PL)

(73) Assignee: **LED Labs sp. z o.o.**, Cracow (PL)

(**) Term: **15 Years**

(21) Appl. No.: **29/613,735**

(22) Filed: **Aug. 12, 2017**

(51) **LOC (11) Cl.** **26-05**

(52) **U.S. Cl.**
USPC **D26/142**

(58) **Field of Classification Search**
USPC D26/142, 143, 148; D25/35, 38.1, 41.1,
D25/43, 44, 48.1, 48.2, 55, 119–120, 136,
D25/137, 164, 199
CPC E06B 1/02; E06B 1/04; E04C 2/30; A47B
43/00; A47F 5/00; E04B 2/74
See application file for complete search history.

(56) **References Cited**

U.S. PATENT DOCUMENTS

D660,462 S *	5/2012	Chen	D25/119
D689,199 S *	9/2013	Elizarraras	D25/136
D711,021 S *	8/2014	Singh	D25/119
D711,555 S *	8/2014	Singh	D25/119
D742,540 S *	11/2015	Singh	D25/119
D742,543 S *	11/2015	Singh	D25/119
D742,548 S *	11/2015	Singh	D25/119

D746,669 S *	1/2016	McBride	E04B 1/40 D25/121
D752,422 S *	3/2016	Veilleux	D8/377
D767,382 S *	9/2016	Libreiro	D25/119
D791,348 S *	7/2017	Singh	D25/119
D791,349 S *	7/2017	Singh	D25/119
D794,833 S *	8/2017	Singh	D25/119
D814,063 S *	3/2018	Singh	D25/119
2003/0182889 A1 *	10/2003	Takagi	B28B 23/005 52/579

* cited by examiner

Primary Examiner — Mark A Goodwin

Assistant Examiner — Benjamin M Weeks

(74) *Attorney, Agent, or Firm* — Andrew Malarz, Esq.

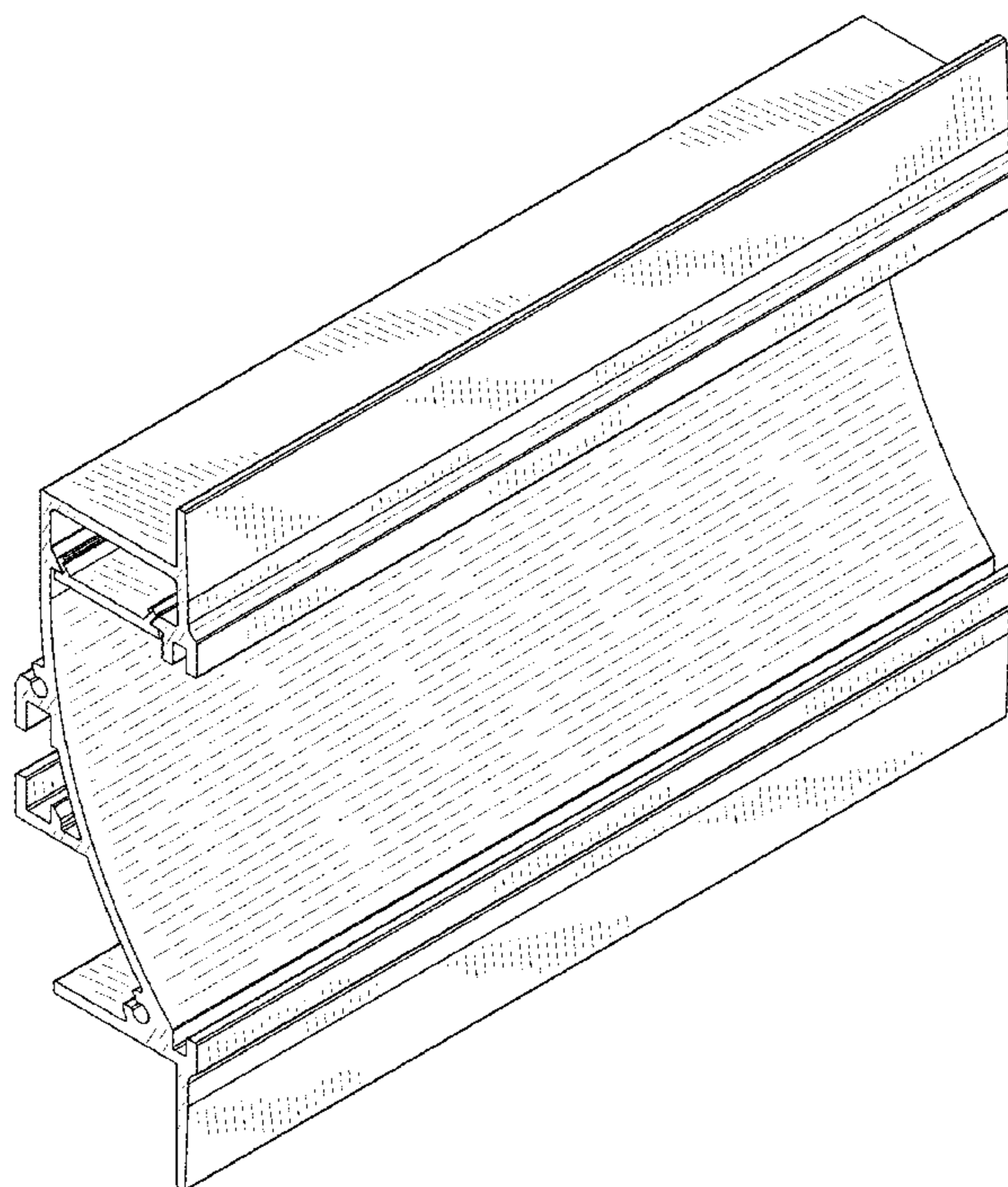
(57) **CLAIM**

The ornamental design for a housing for a LED-based lighting apparatus, as shown and described.

DESCRIPTION

FIG. 1 is a front isometric view of a housing for a LED based lighting apparatus;
 FIG. 2 is a front view of the housing for a LED based lighting apparatus shown in FIG. 1;
 FIG. 3 is a bottom view of the housing for a LED based lighting apparatus shown in FIG. 1;
 FIG. 4 is a top view of the housing for a LED based lighting apparatus shown in FIG. 1;
 FIG. 5 is a left-side view of the housing for a LED based lighting apparatus shown in FIG. 1; and,
 FIG. 6 is a right-side view of the housing for a LED based lighting apparatus shown in FIG. 1.

1 Claim, 6 Drawing Sheets



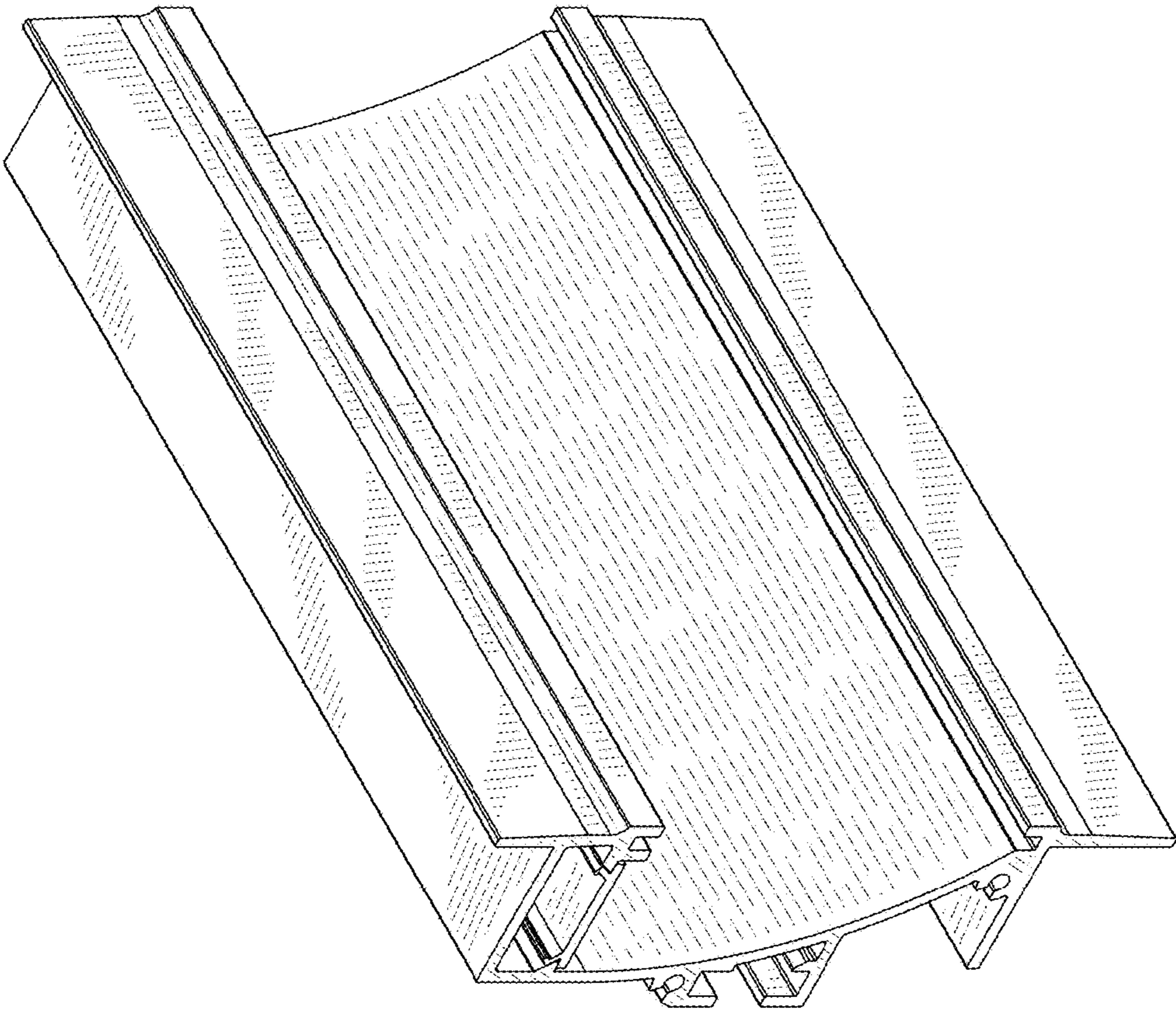


FIG. 1

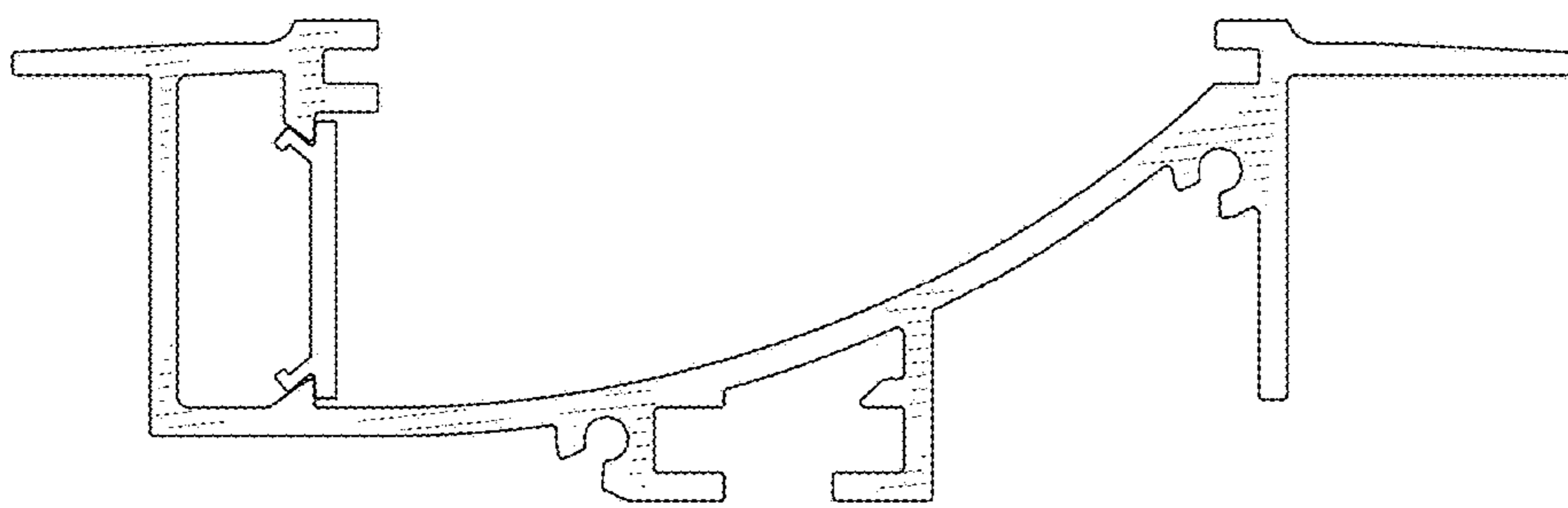


FIG. 2

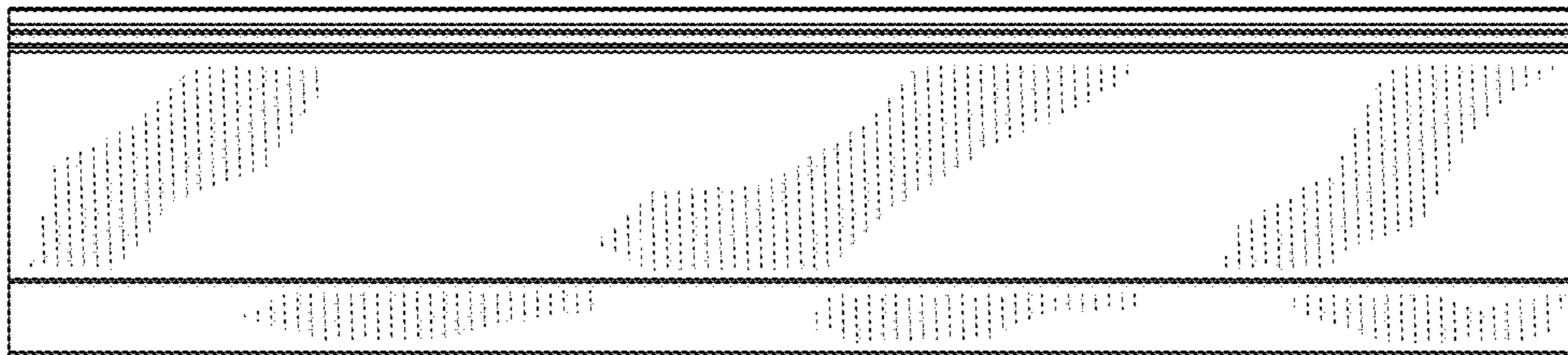


FIG. 3

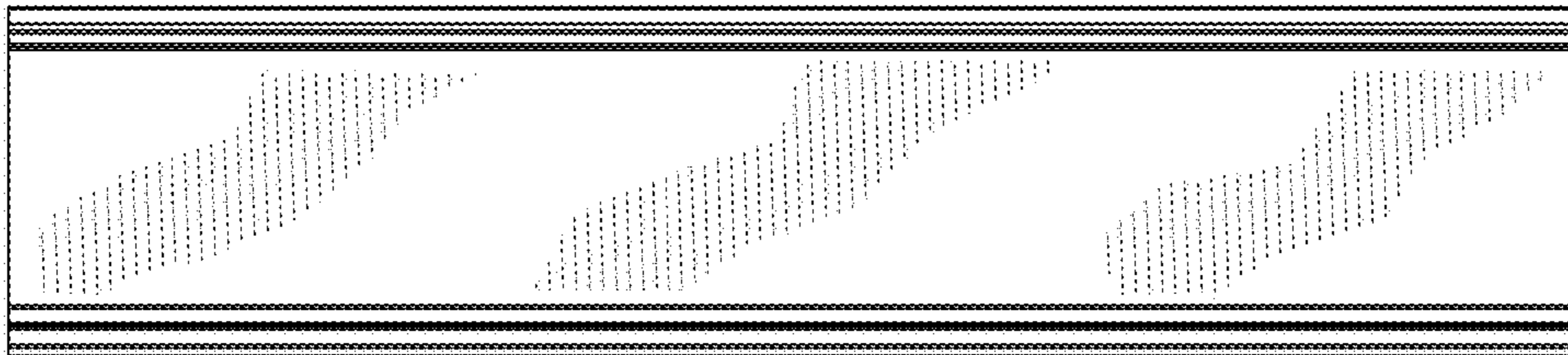


Fig. 4.

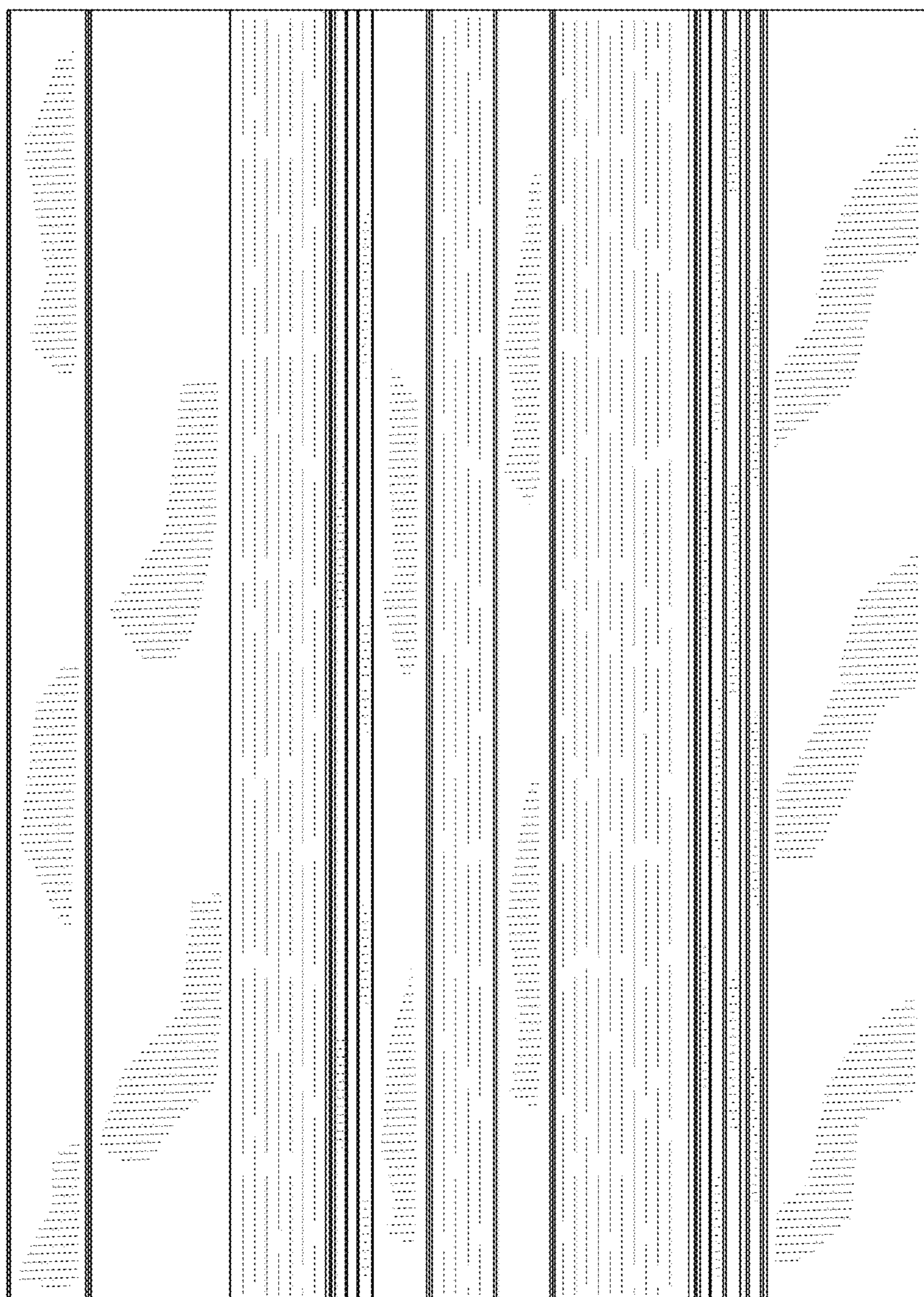


FIG. 5.

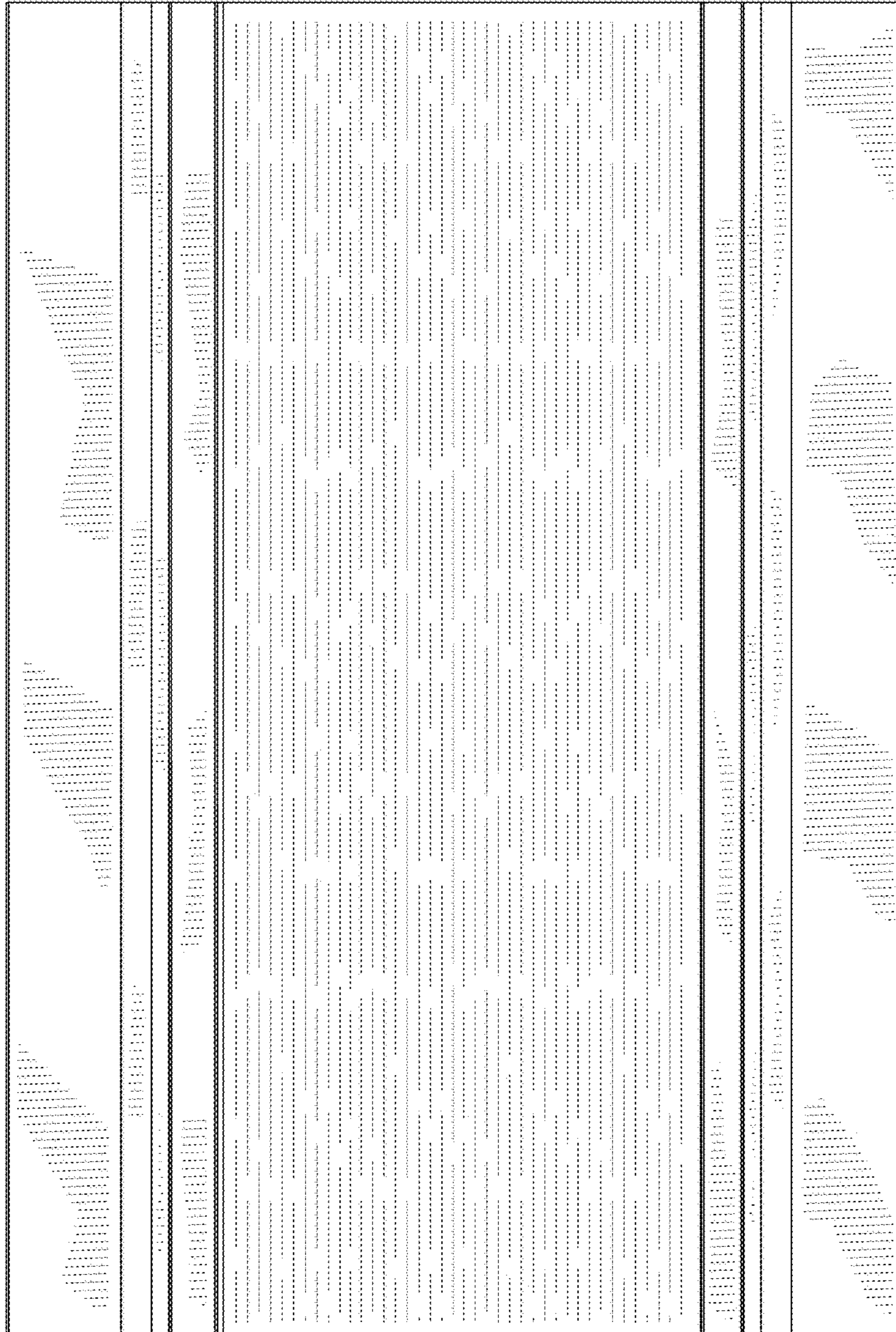


FIG. 6.